



US00D813373S

(12) **United States Design Patent**
Williams

(10) **Patent No.:** **US D813,373 S**
(45) **Date of Patent:** **** Mar. 20, 2018**

- (54) **EAR PLUG**
- (71) Applicant: **Nick Williams**, Naples, FL (US)
- (72) Inventor: **Nick Williams**, Naples, FL (US)
- (73) Assignee: **ONE OFF, LLC**, Naples, FL (US)
- (**) Term: **15 Years**

- 6,595,317 B1 7/2003 Widmer et al.
- D492,991 S 7/2004 Chiang
- 6,761,789 B2 7/2004 Juneau et al.
- 7,130,437 B2 10/2006 Stonikas et al.
- 7,217,335 B2 5/2007 Juneau et al.
- 7,403,629 B1 7/2008 Aceti et al.
- D576,610 S 9/2008 Johnson
- 7,627,131 B2 12/2009 Nielsen et al.
- 7,778,434 B2 8/2010 Juneau et al.
- D628,990 S 12/2010 Pedersen

(Continued)

(21) Appl. No.: **29/537,513**

(22) Filed: **Aug. 26, 2015**

(51) **LOC (11) Cl.** **24-04**

(52) **U.S. Cl.**
USPC **D24/106**

(58) **Field of Classification Search**
USPC D24/106, 173, 174; D14/205, 223;
D29/112
CPC A61F 11/08; A61F 2011/085
See application file for complete search history.

FOREIGN PATENT DOCUMENTS

- CN 203537543 U 4/2014
- EP 0 895 703 A1 2/1999

(Continued)

OTHER PUBLICATIONS

International Search Report and Written Opinion dated Nov. 12, 2015 for PCT/US15/45530 filed Aug. 17, 2015.

Primary Examiner — Richelle G Shelton

(74) *Attorney, Agent, or Firm* — Cozen O'Connor

(56) **References Cited**

U.S. PATENT DOCUMENTS

- 2,430,229 A 11/1947 Kelsey
- D185,740 S 7/1959 Criswell
- 4,412,096 A 10/1983 Edgerton et al.
- 4,537,187 A 8/1985 Scott
- 4,702,238 A 10/1987 Scott
- 4,880,076 A 11/1989 Ahlberg et al.
- 5,002,151 A 3/1991 Oliveira et al.
- 5,185,802 A 2/1993 Stanton
- 5,203,352 A 4/1993 Gardner, Jr.
- 5,321,757 A 6/1994 Woodfill, Jr.
- 5,483,027 A 1/1996 Krause
- D388,093 S * 12/1997 Frengley D14/223
- 5,718,244 A 2/1998 Thornton
- 5,881,159 A 3/1999 Aceti et al.
- D449,592 S 10/2001 Koss et al.
- 6,310,961 B1 10/2001 Oliveira et al.
- D452,909 S 1/2002 Saulce
- 6,354,990 B1 3/2002 Juneau et al.
- 6,434,248 B1 8/2002 Juneau et al.

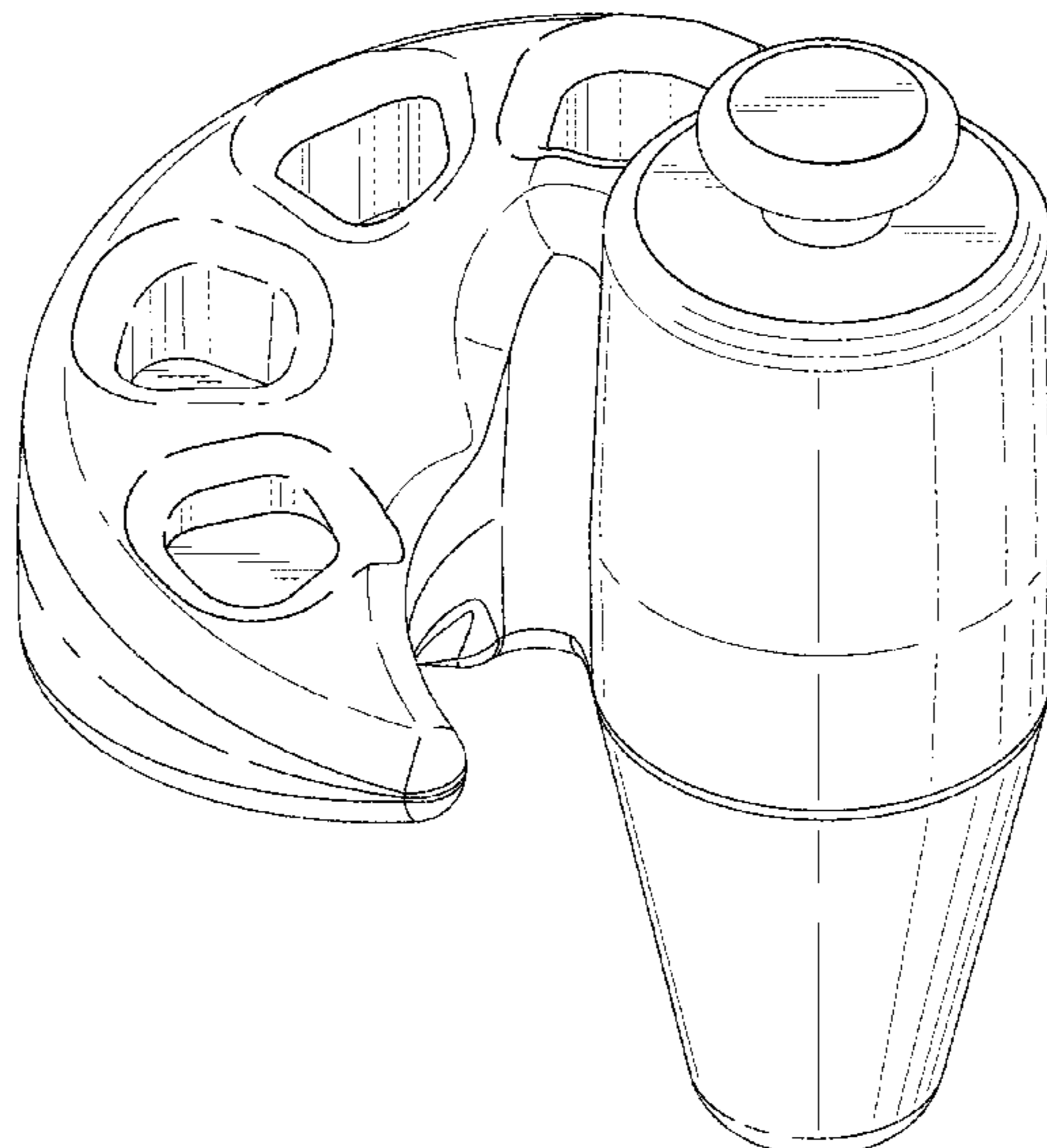
(57) **CLAIM**

The ornamental design for an ear plug, as shown and described.

DESCRIPTION

FIG. 1 is a top-rear perspective view of an ear plug;
FIG. 2 is a front-bottom perspective view of the ear plug of FIG. 1;
FIG. 3 is a rear view of the ear plug of FIG. 1;
FIG. 4 is a left view of the ear plug of FIG. 1;
FIG. 5 is a right view of the ear plug of FIG. 1;
FIG. 6 is a top view of the ear plug of FIG. 1;
FIG. 7 is a bottom view of the ear plug of FIG. 1; and,
FIG. 8 is a front view of the ear plug of FIG. 1.

1 Claim, 8 Drawing Sheets



(56)

References Cited

U.S. PATENT DOCUMENTS

7,965,855	B1	6/2011	Ham
D645,458	S	9/2011	Silvestri et al.
8,027,638	B2	9/2011	Sanguino et al.
D655,693	S	3/2012	Silvestri et al.
D656,129	S	3/2012	Kelly et al.
8,184,838	B2	5/2012	Solomito et al.
8,201,561	B2	6/2012	Blanchard
8,280,093	B2	10/2012	Siahaan et al.
9,179,211	B2	11/2015	Kirkpatrick
2001/0043708	A1	11/2001	Brimhall
2005/0147269	A1	7/2005	Oliveira et al.
2006/0098833	A1	5/2006	Juneau et al.
2007/0074991	A1	4/2007	Heisserer
2008/0187161	A1	8/2008	Tiemens et al.
2009/0041287	A1	2/2009	Quinlisk
2009/0232342	A1	9/2009	Oliveira et al.
2009/0252362	A1	10/2009	Ooi et al.

FOREIGN PATENT DOCUMENTS

EP	2 107 827		10/2009
WO	92/03894	A1	3/1992
WO	97/34443	A1	9/1997
WO	99/31935	A1	6/1999
WO	2012/024656	A2	2/2012
WO	2013/119913	A1	8/2013

* cited by examiner

FIG. 1

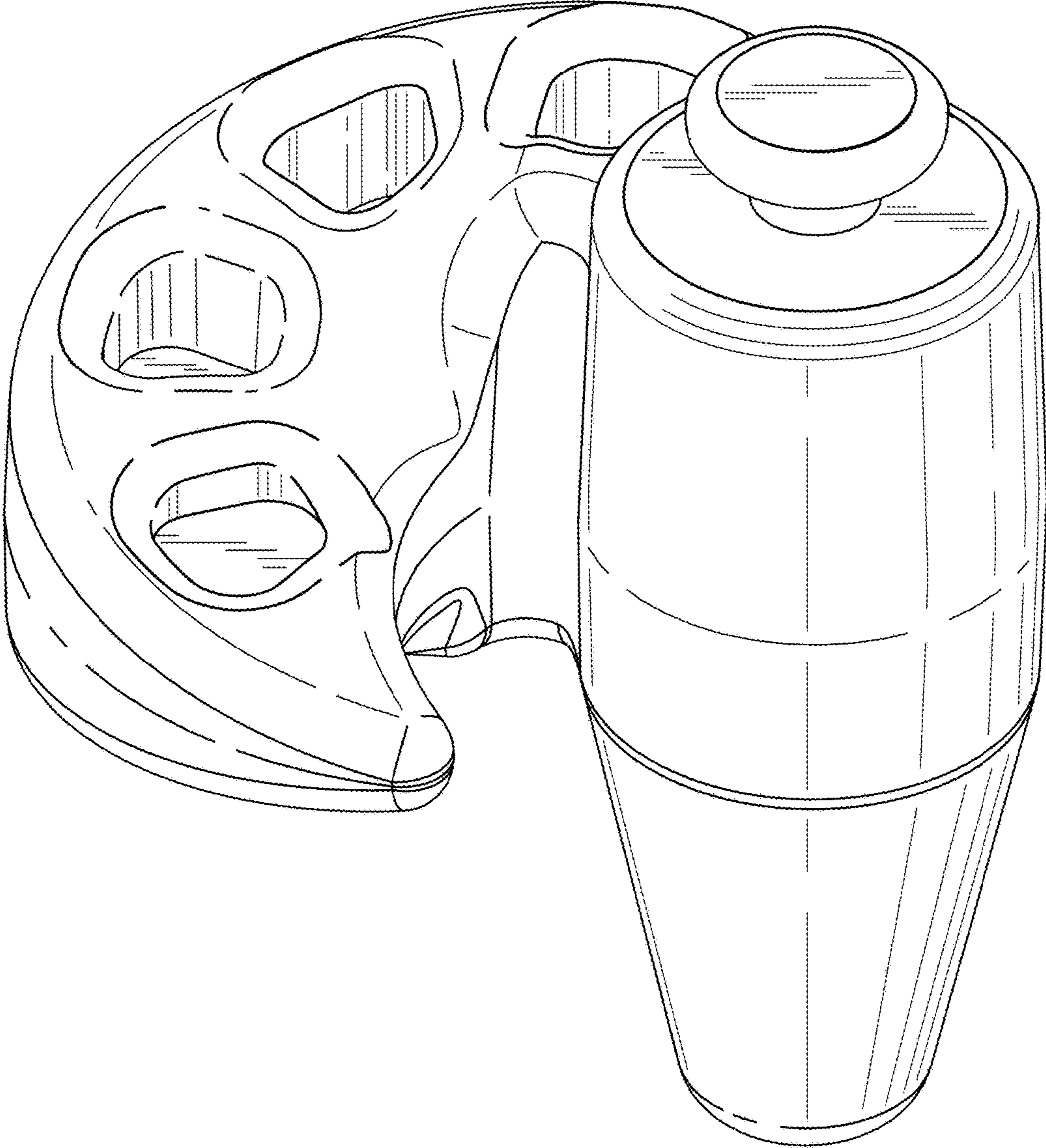


FIG. 2

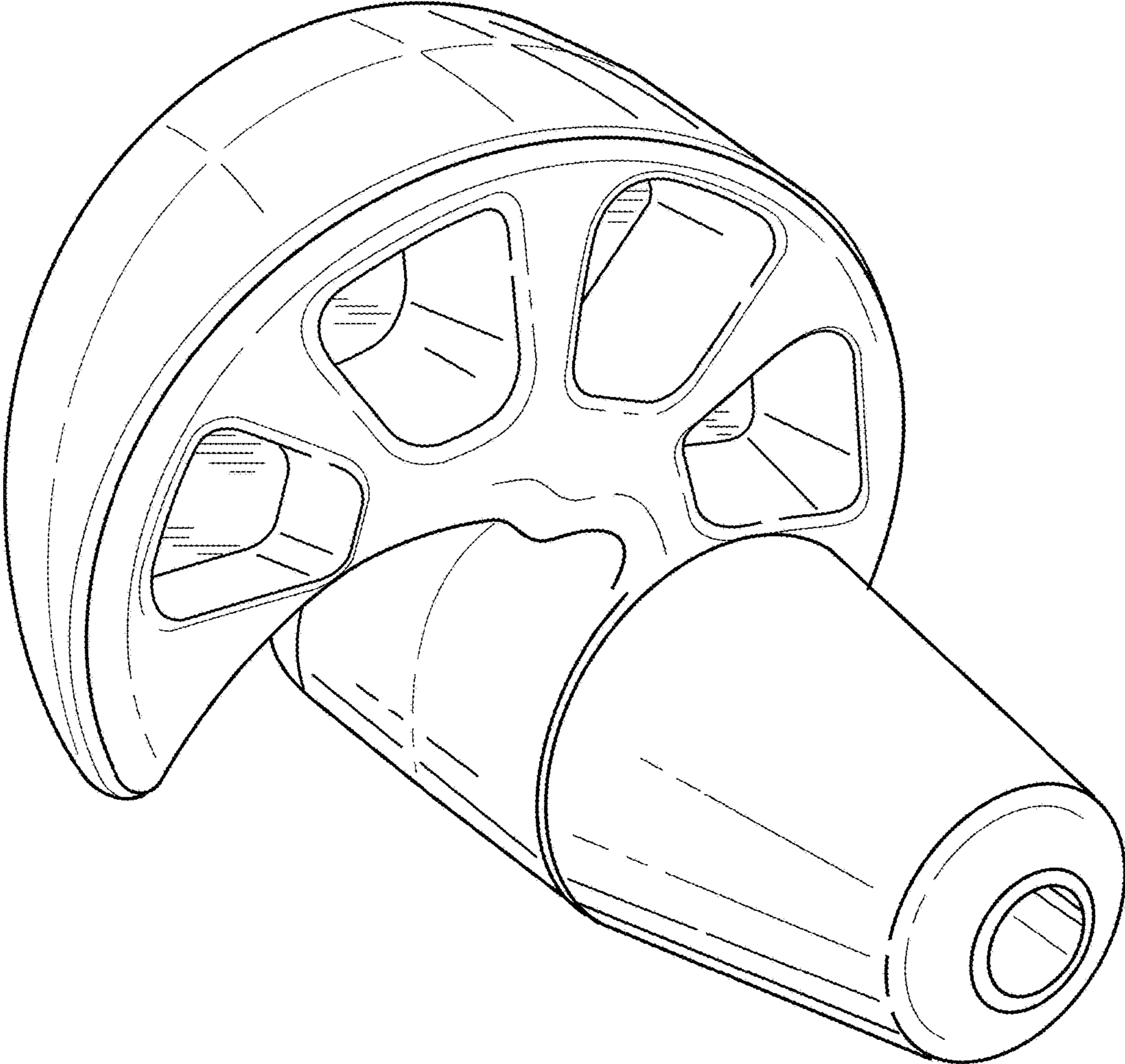


FIG. 3

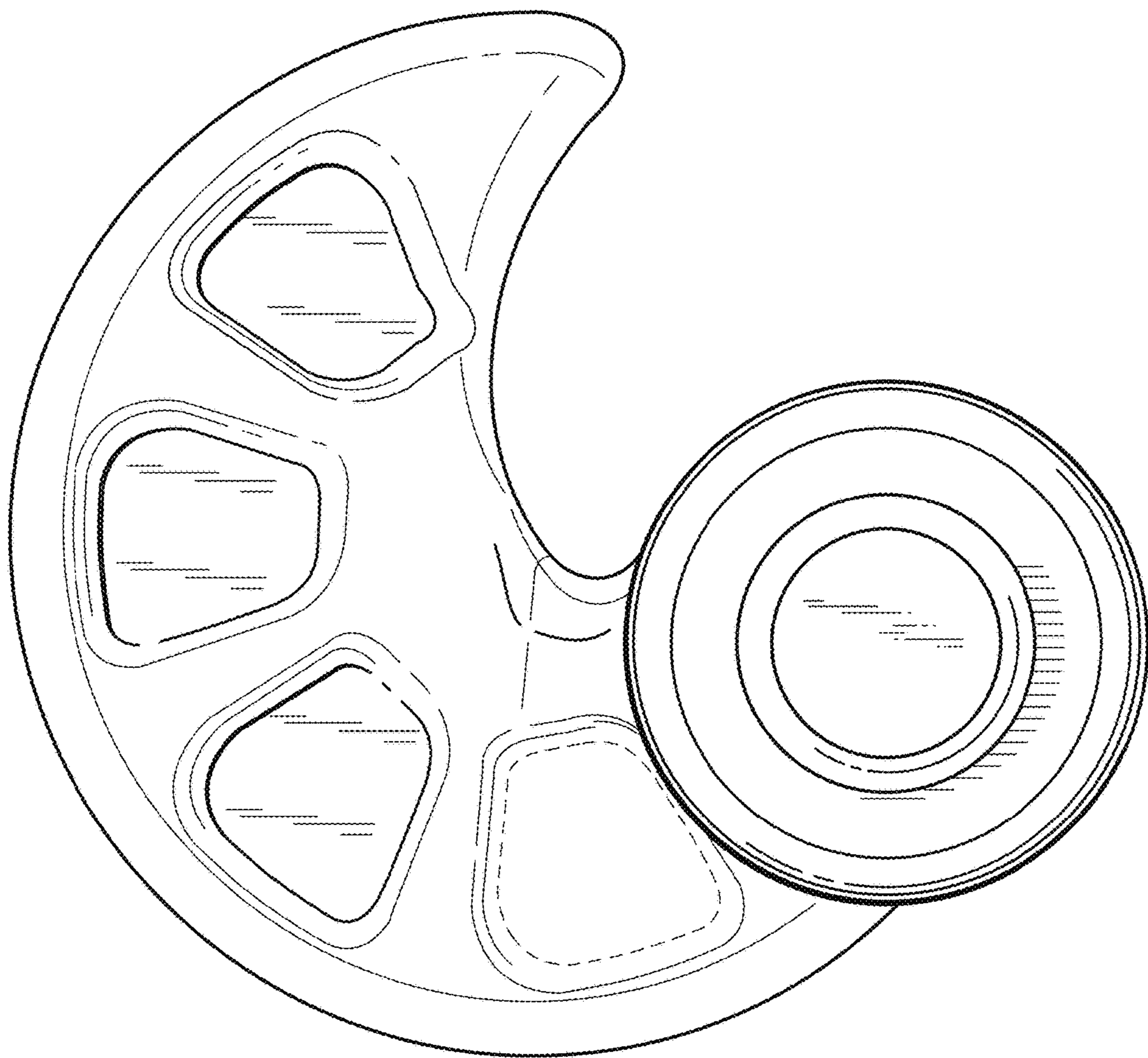


FIG. 4

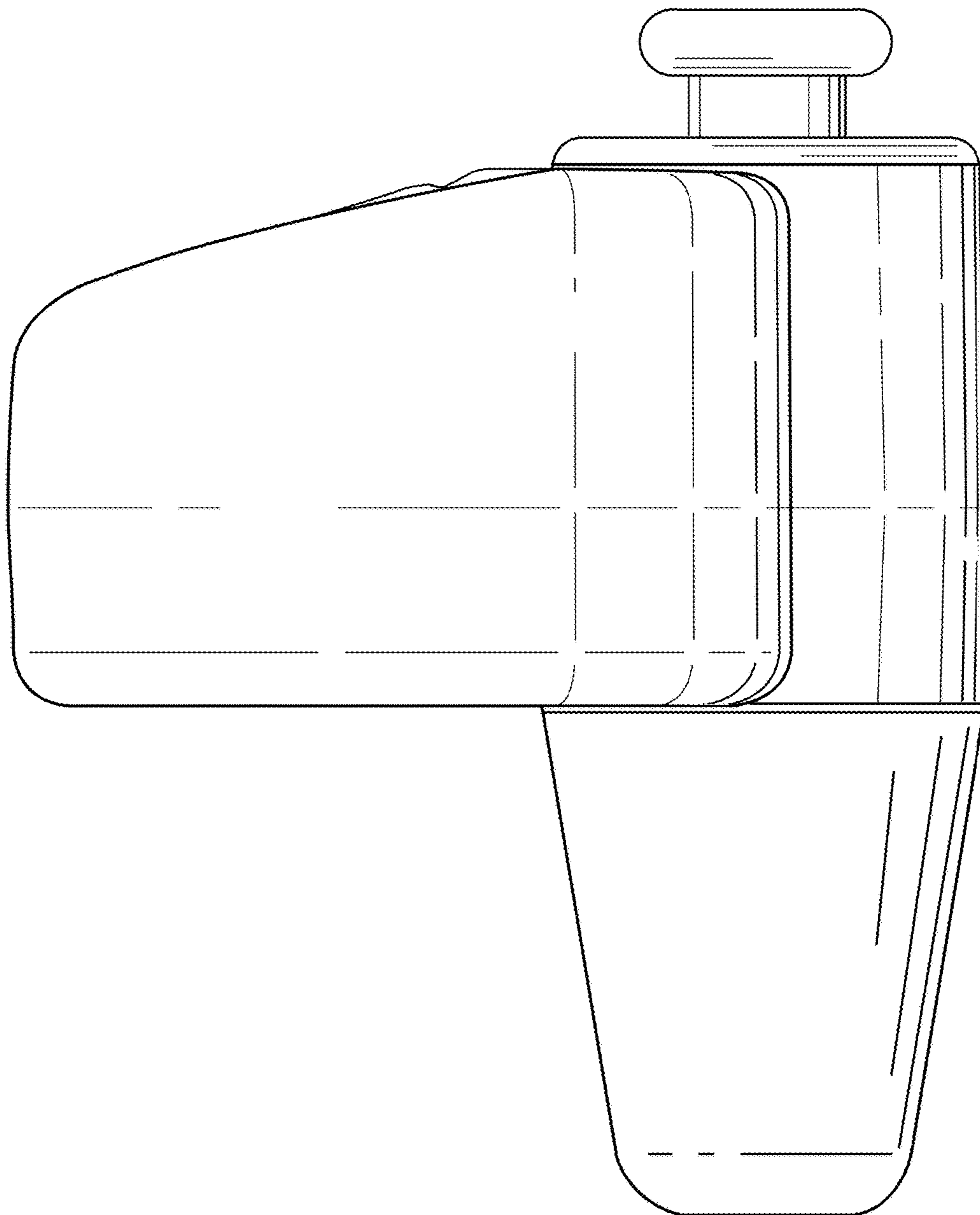


FIG. 5

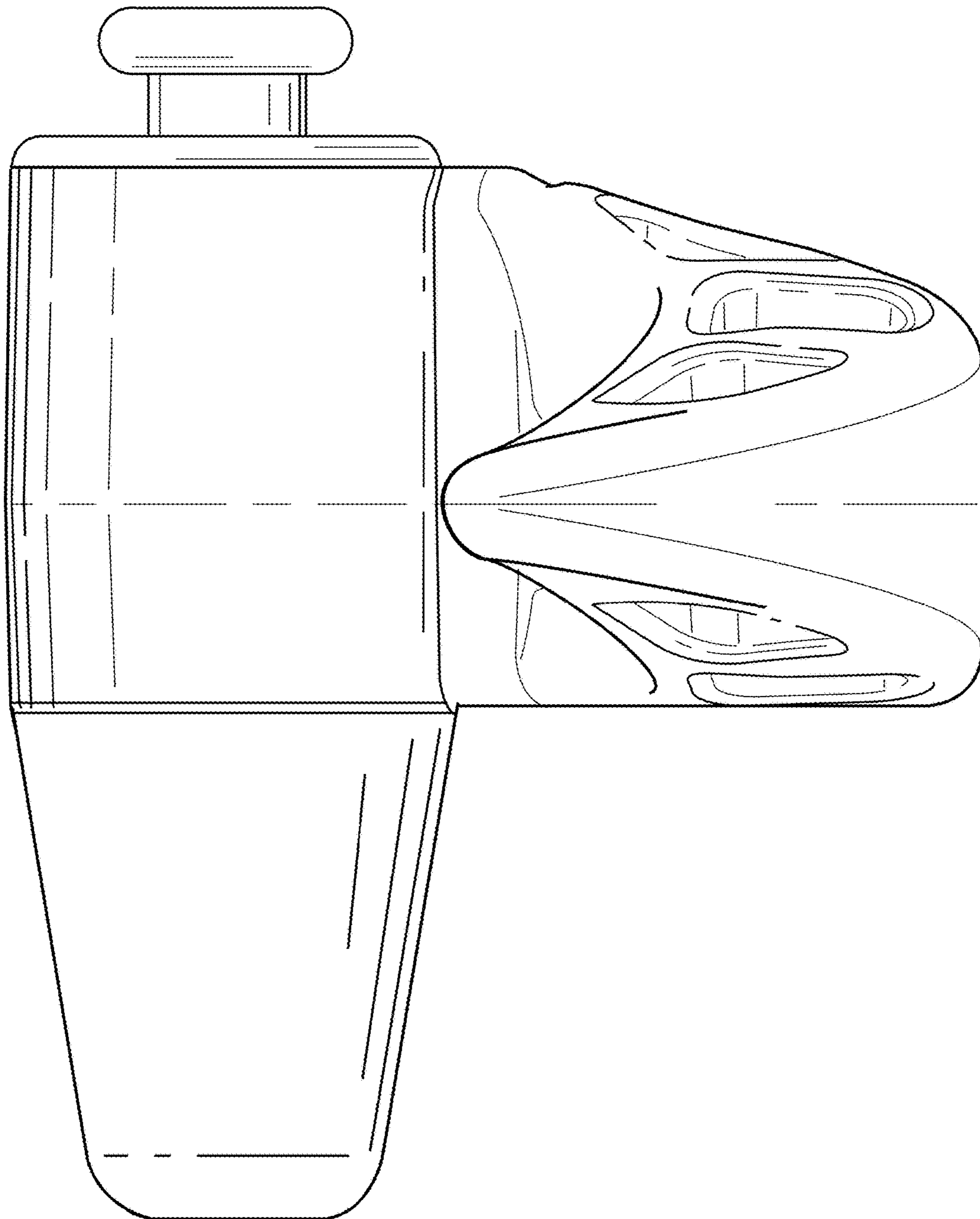


FIG. 6

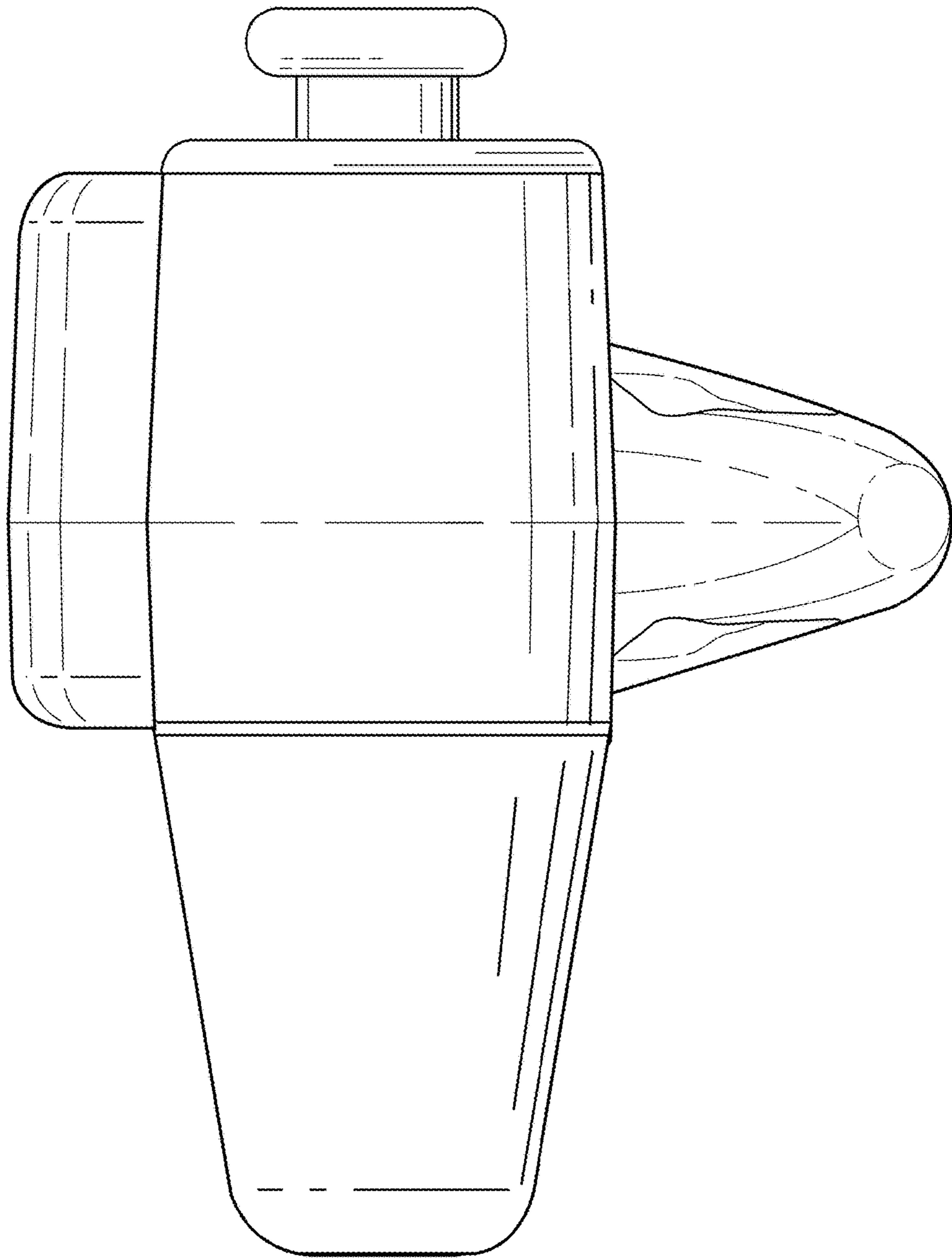


FIG. 7

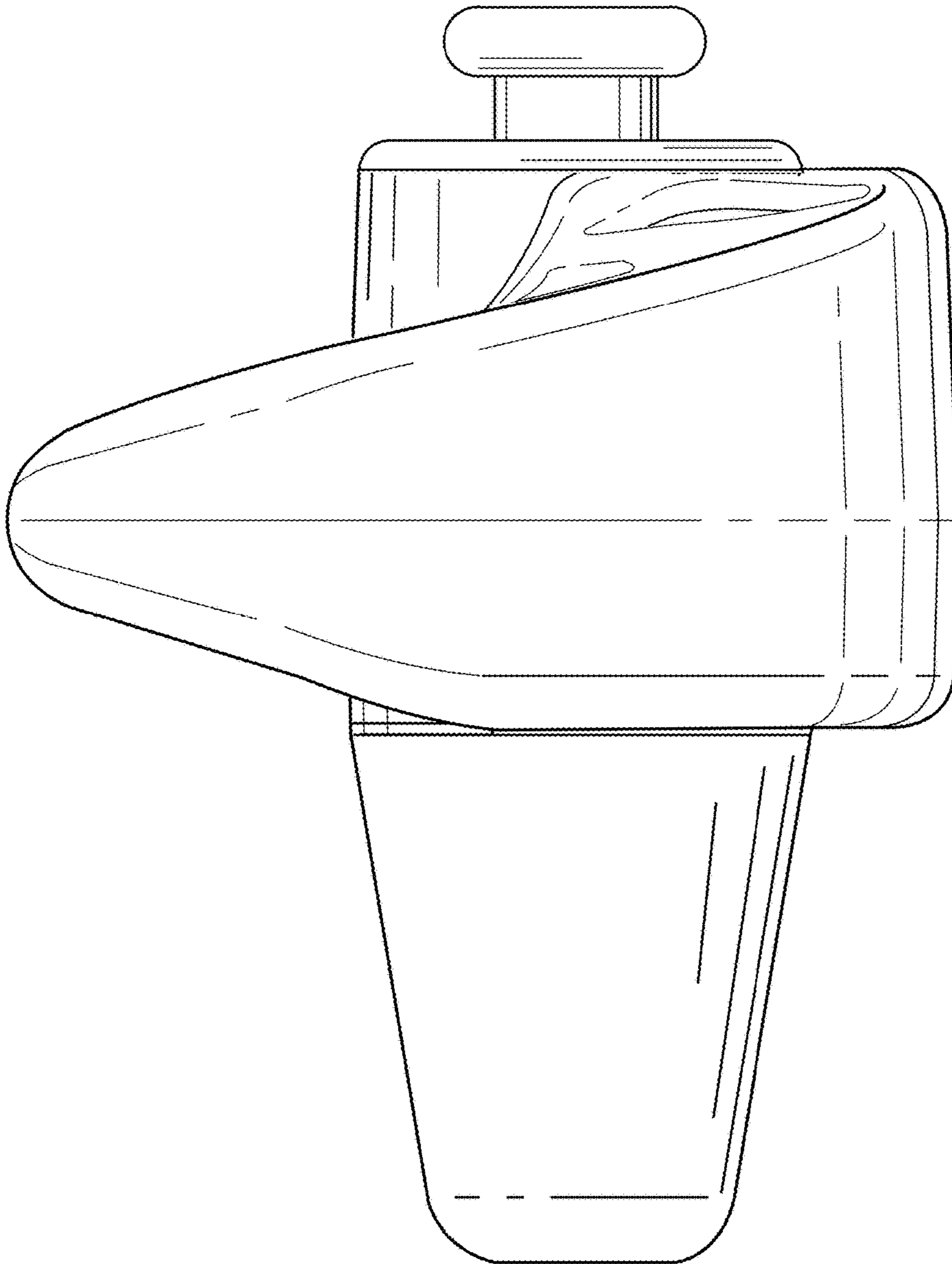


FIG. 8

