



US00D813372S

(12) **United States Design Patent** (10) **Patent No.:** **US D813,372 S**
Parikh et al. (45) **Date of Patent:** **** Mar. 20, 2018**

(54) **PHARMACEUTICAL TABLET**
(71) Applicant: **Celgene Corporation**, Summit, NJ (US)
(72) Inventors: **Darshan Parikh**, Bridgewater, NJ (US); **Scott Burnside**, Wilmington, NC (US); **Sreenivas S. Bhat**, Kendall Park, NJ (US); **Jiping Liu**, Basking Ridge, NJ (US)
(73) Assignee: **Celgene Corporation**, Summit, NJ (US)
(**) Term: **15 Years**
(21) Appl. No.: **29/594,820**
(22) Filed: **Feb. 22, 2017**
(51) **LOC (11) Cl.** **24-01**
(52) **U.S. Cl.**
USPC **D24/101**
(58) **Field of Classification Search**
USPC D24/100–104
CPC A61K 9/20; A61K 9/2072; A61K 9/2077; A61K 9/2086
See application file for complete search history.

D459,798 S * 7/2002 Desesquelle D24/101
D506,544 S 6/2005 Rinker et al.
D515,202 S * 2/2006 Chen D24/102
D534,646 S 1/2007 Chang et al.
D535,021 S 1/2007 Stawski et al.
D564,086 S 3/2008 Nielsen et al.
D671,636 S 11/2012 Nishino
D735,315 S 7/2015 Bhat
(Continued)

OTHER PUBLICATIONS

U.S. Appl. No. 29/531,123, filed Jun. 23, 2015, Parikh et al.
(Continued)

Primary Examiner — Charles Hanson
(74) *Attorney, Agent, or Firm* — Jones Day

(57) **CLAIM**

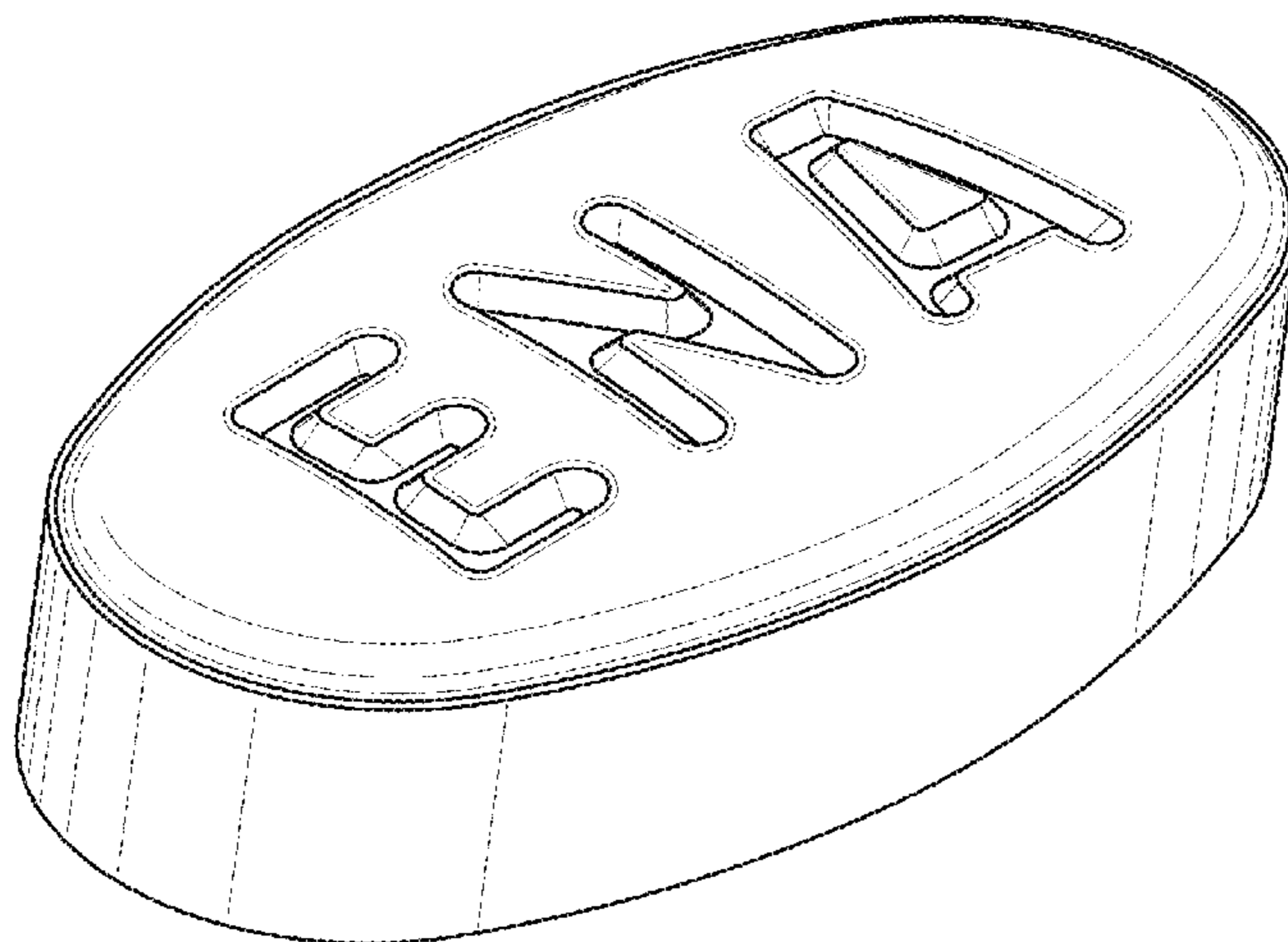
The ornamental design for a pharmaceutical tablet, as shown and described.

DESCRIPTION

FIG. 1 is a top perspective view of a pharmaceutical tablet in accordance with the present design;
FIG. 2 is a top plan view thereof;
FIG. 3 is a bottom plan view thereof;
FIG. 4 is a side elevational view thereof;
FIG. 5 is the opposite side elevational view thereof
FIG. 6 is an end elevational view thereof;
FIG. 7 is the opposite end elevational view thereof;
FIG. 8 is a top perspective view of a pharmaceutical tablet in accordance with a second embodiment of the present design;
FIG. 9 is a top plan view thereof;
FIG. 10 is a bottom plan view thereof;
FIG. 11 is a side elevational view thereof;
FIG. 12 is the opposite side elevational view thereof;
FIG. 13 is an end elevational view thereof; and,
FIG. 14 is the opposite end elevational view thereof.

1 Claim, 6 Drawing Sheets

(56) **References Cited**
U.S. PATENT DOCUMENTS
D31,133 S 7/1899 Lantz
D301,764 S * 6/1989 Contractor D24/102
D302,051 S 7/1989 Contractor et al.
5,770,225 A 6/1998 Parekh et al.
5,824,338 A 10/1998 Jacobs et al.
D403,396 S 12/1998 Lundbom et al.
D408,910 S * 4/1999 Lundbom D24/101
D425,614 S 5/2000 Chen et al.
D430,285 S 8/2000 Chen et al.
D431,076 S * 9/2000 Chen D24/102
D434,846 S * 12/2000 Chen D24/102
6,165,513 A 12/2000 Dansereau et al.



(56)

References Cited

U.S. PATENT DOCUMENTS

D741,990 S 10/2015 Ramos
D787,042 S * 5/2017 Parikh D24/101
D787,043 S * 5/2017 Parikh D24/101

OTHER PUBLICATIONS

United States Patent and Trademark Office, Office Action issued in U.S. Appl. No. 29/524,022, dated Apr. 6, 2016.
United States Patent and Trademark Office, Final Office Action issued in U.S. Appl. No. 29/524,022, dated Oct. 18, 2016.
United States Patent and Trademark Office, Office Action issued in U.S. Appl. No. 29/524,022, dated Jan. 10, 2017.
United States Patent and Trademark Office, Office Action issued in U.S. Appl. No. 29/525,253, dated Apr. 11, 2016.
United States Patent and Trademark Office, Final Office Action issued in U.S. Appl. No. 29/525,253, dated Oct. 18, 2016.
United States Patent and Trademark Office, Notice of Allowance issued in U.S. Appl. No. 29/525,253, dated Jan. 13, 2017.
United States Patent and Trademark Office, Office Action issued in U.S. Appl. No. 29/531,113, dated Apr. 12, 2016.
United States Patent and Trademark Office, Final Office Action issued in U.S. Appl. No. 29/531,113, dated Oct. 18, 2016.
United States Patent and Trademark Office, Notice of Allowance issued in U.S. Appl. No. 29/531,113, dated Jan. 17, 2017.
United States Patent and Trademark Office, Office Action issued in U.S. Appl. No. 29/531,123, dated Apr. 11, 2016.
United States Patent and Trademark Office, Final Office Action issued in U.S. Appl. No. 29/531,123, dated Oct. 18, 2016.

* cited by examiner

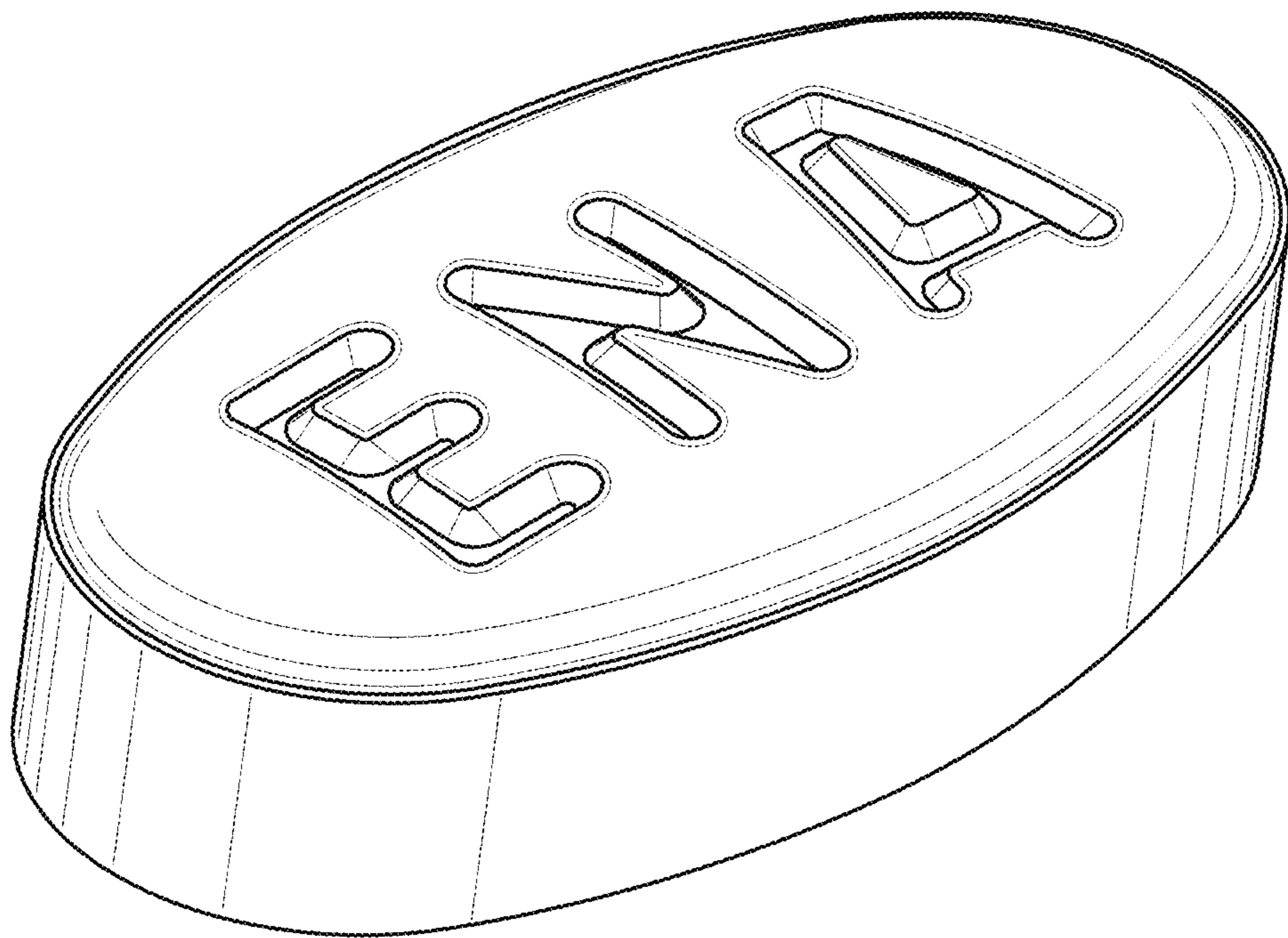


FIG. 1

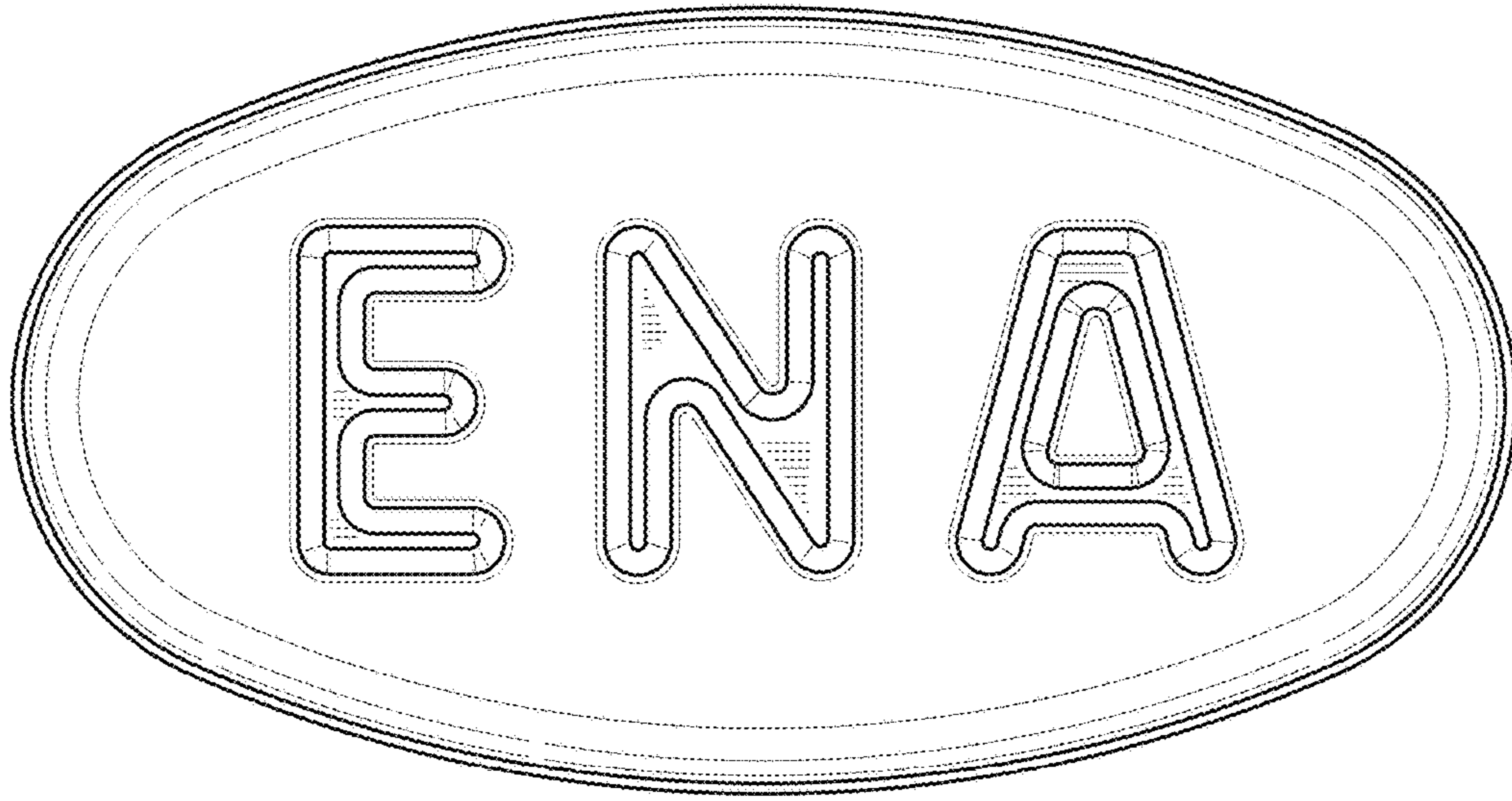


FIG. 2

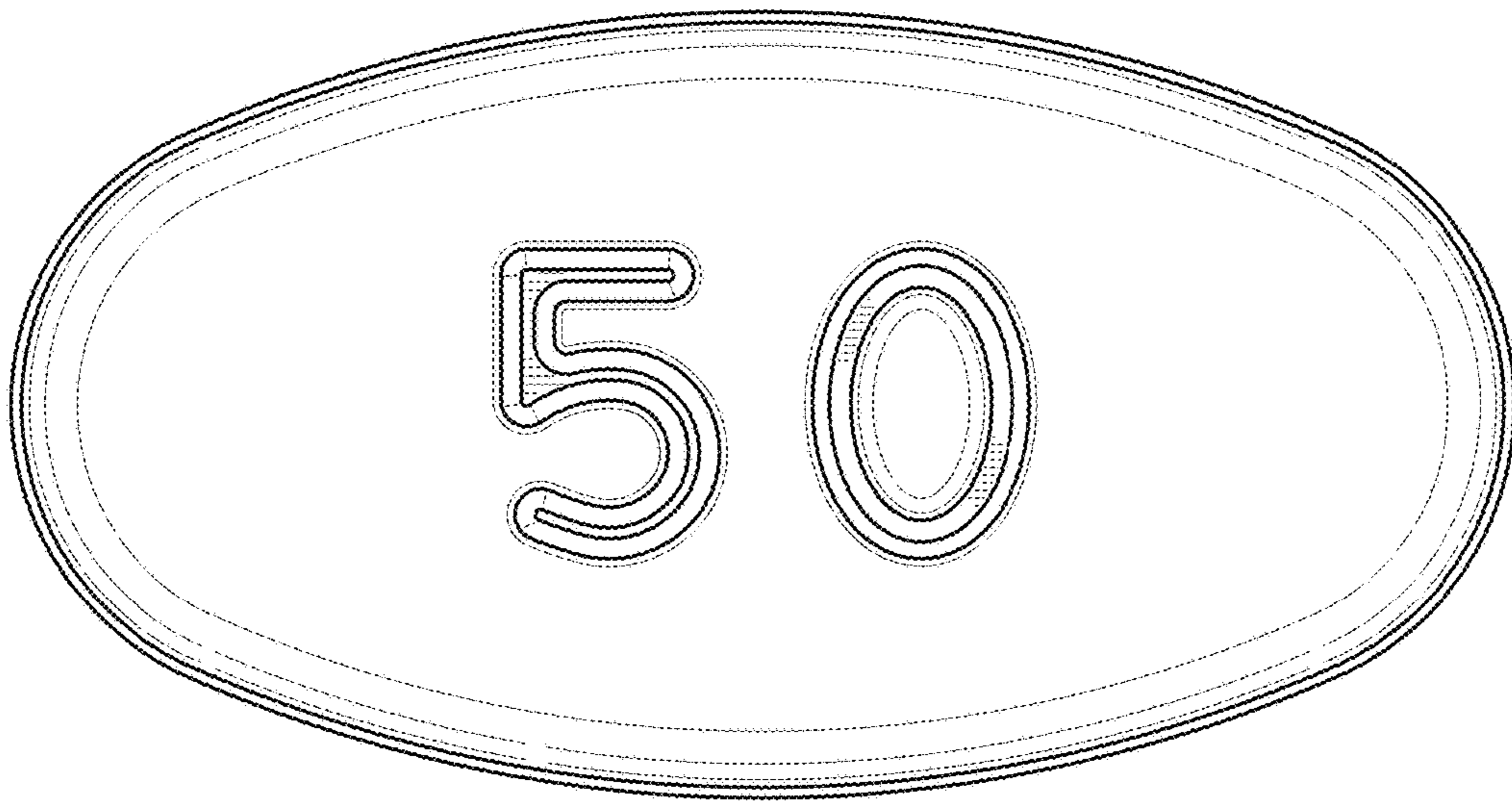


FIG. 3

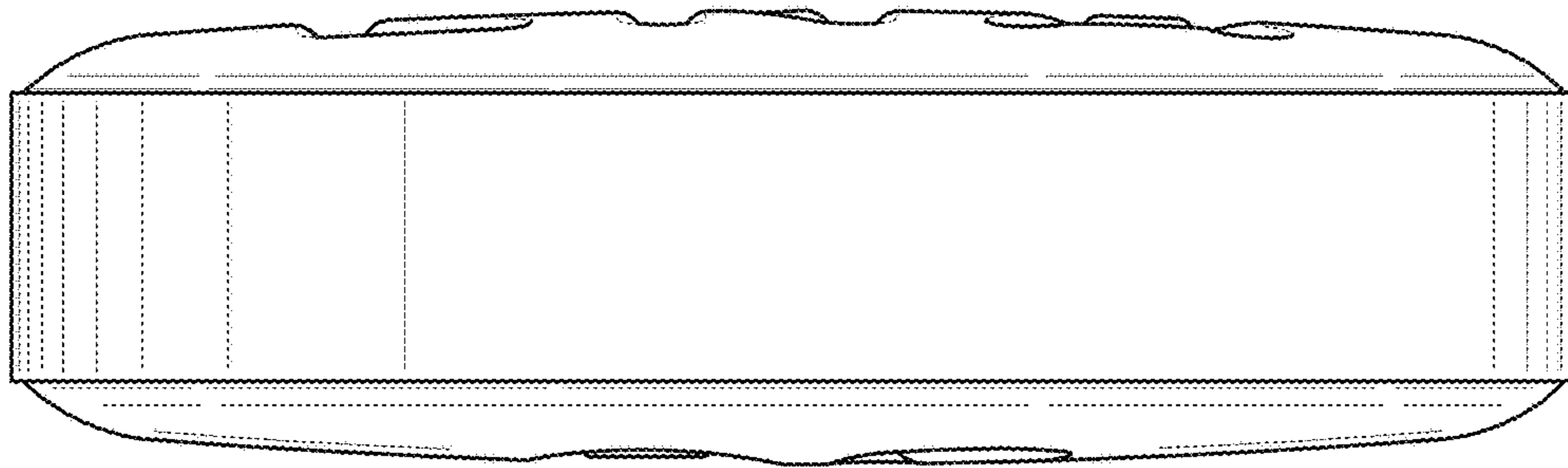


FIG. 4

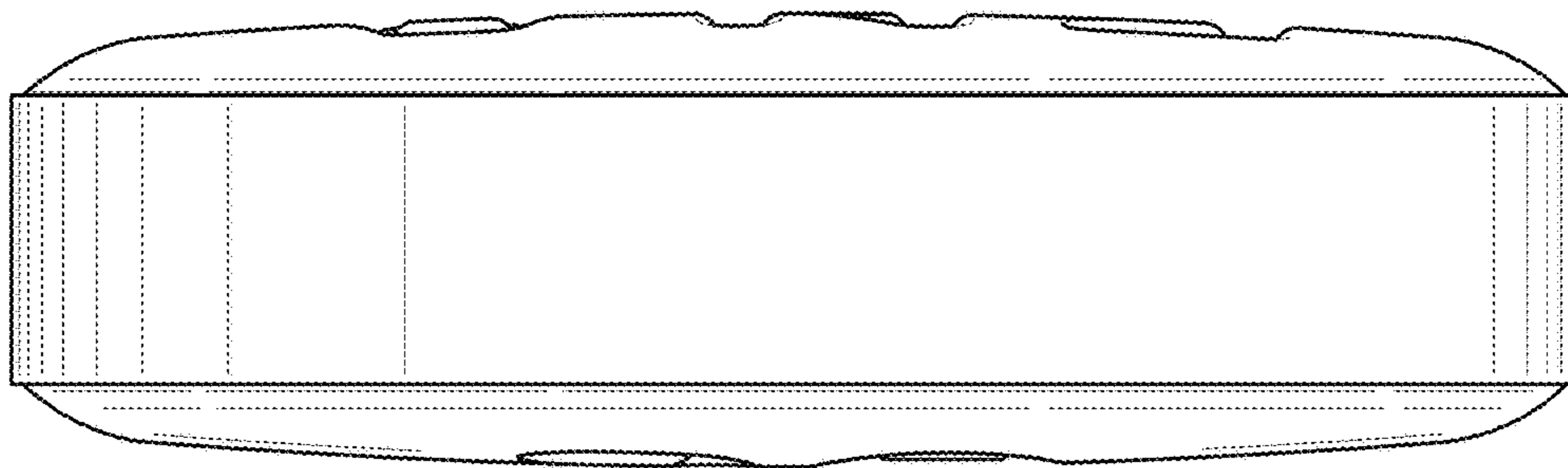


FIG. 5

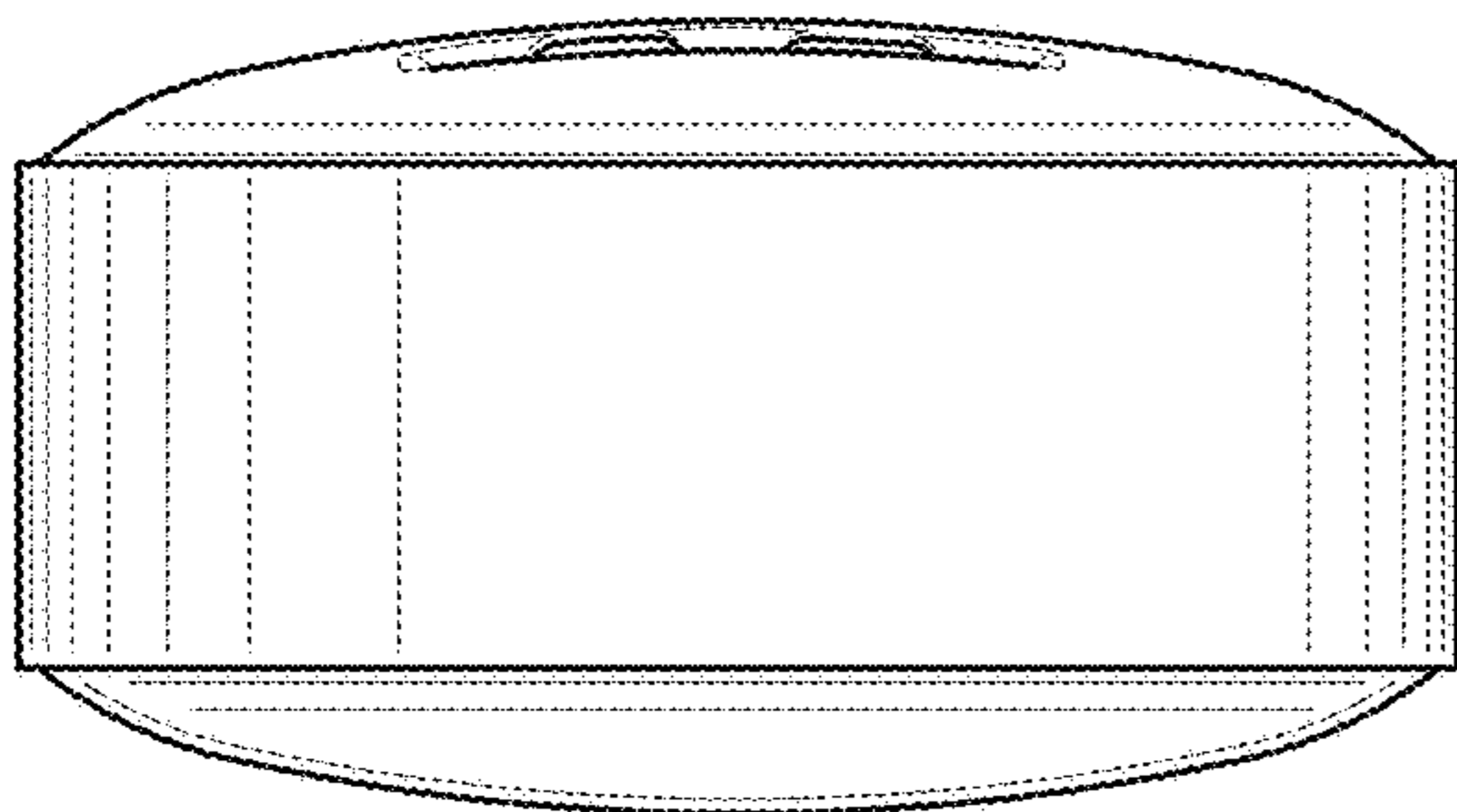


FIG. 6

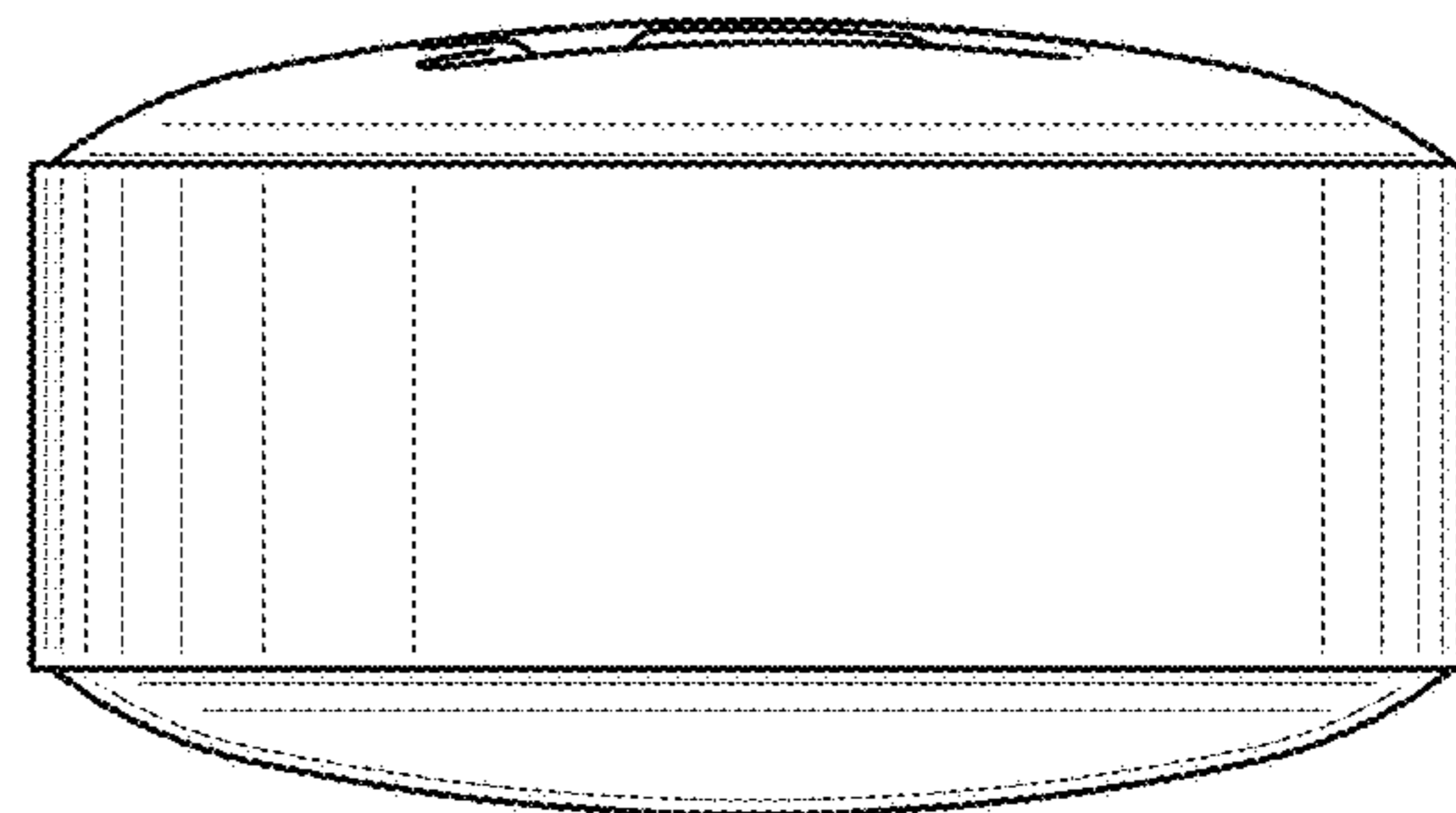


FIG. 7

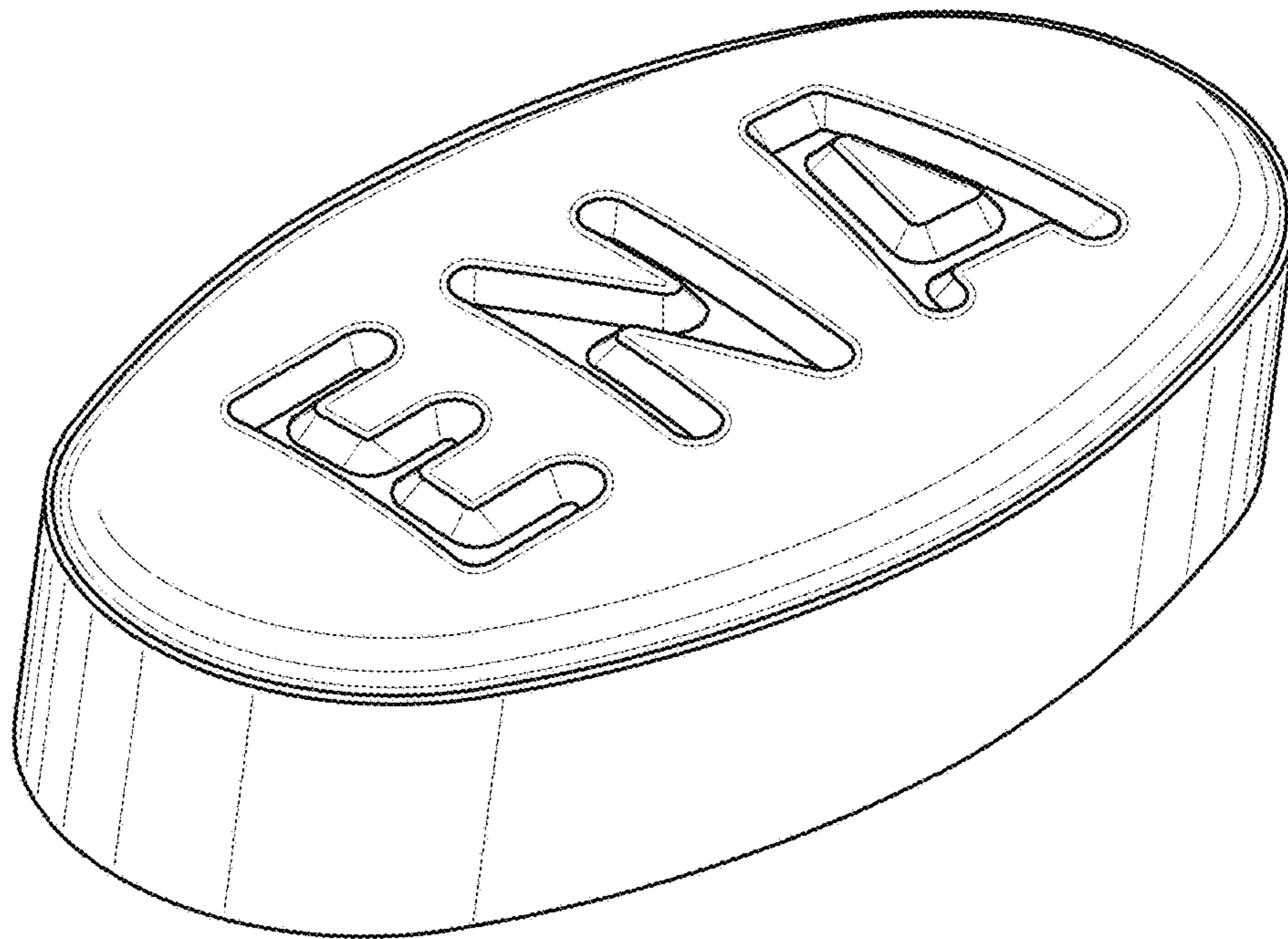


FIG. 8

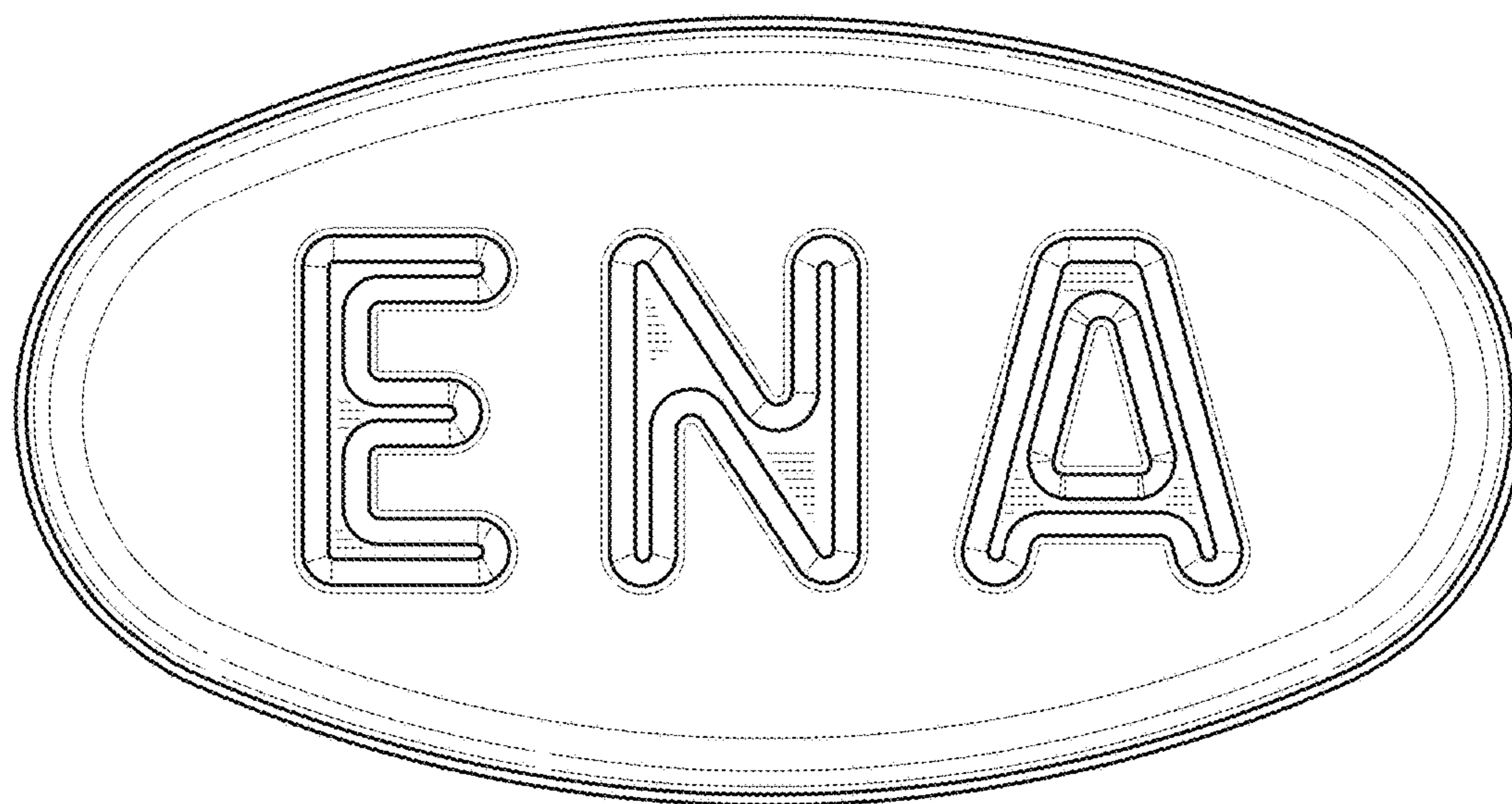


FIG. 9

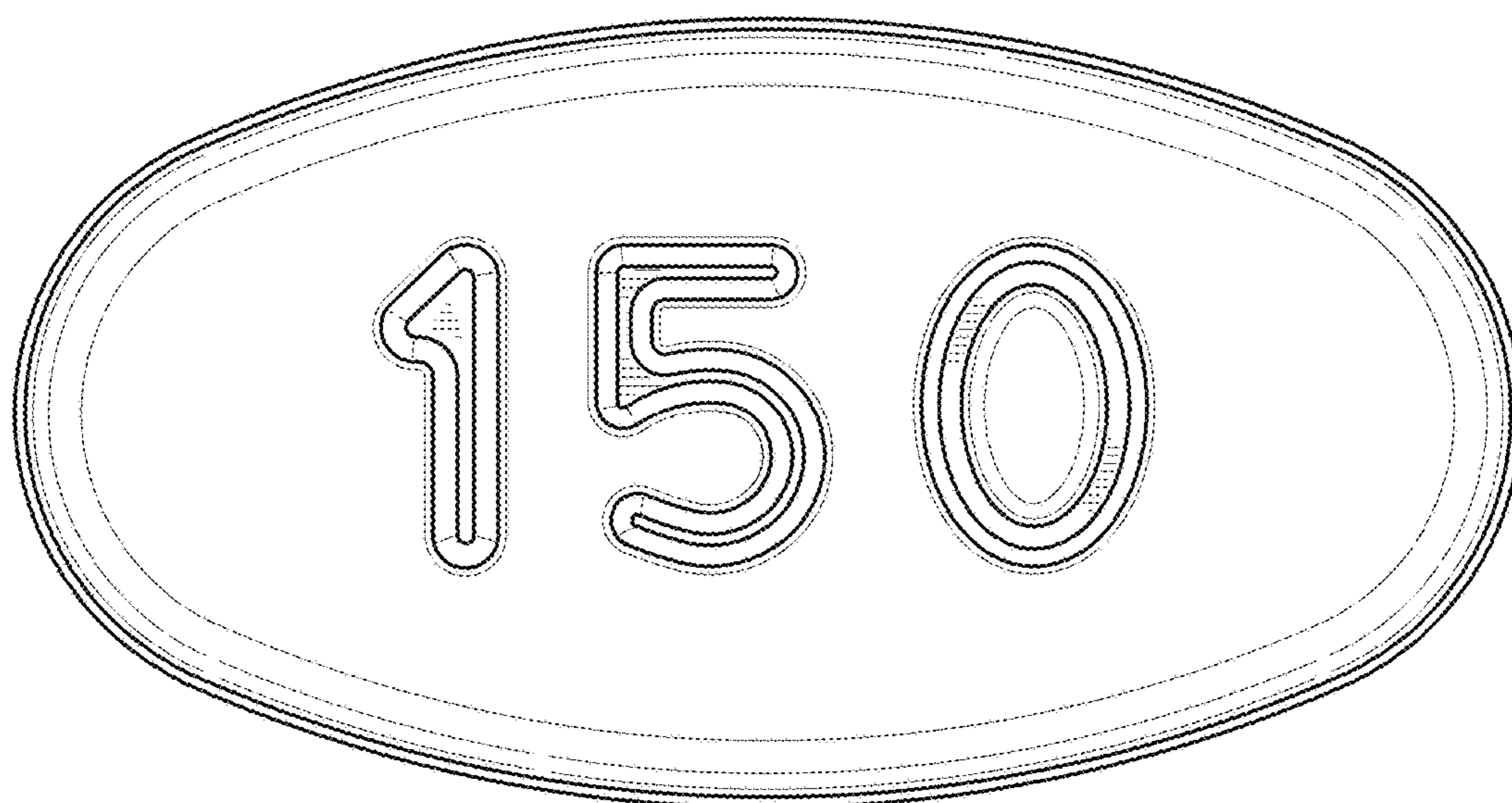


FIG. 10

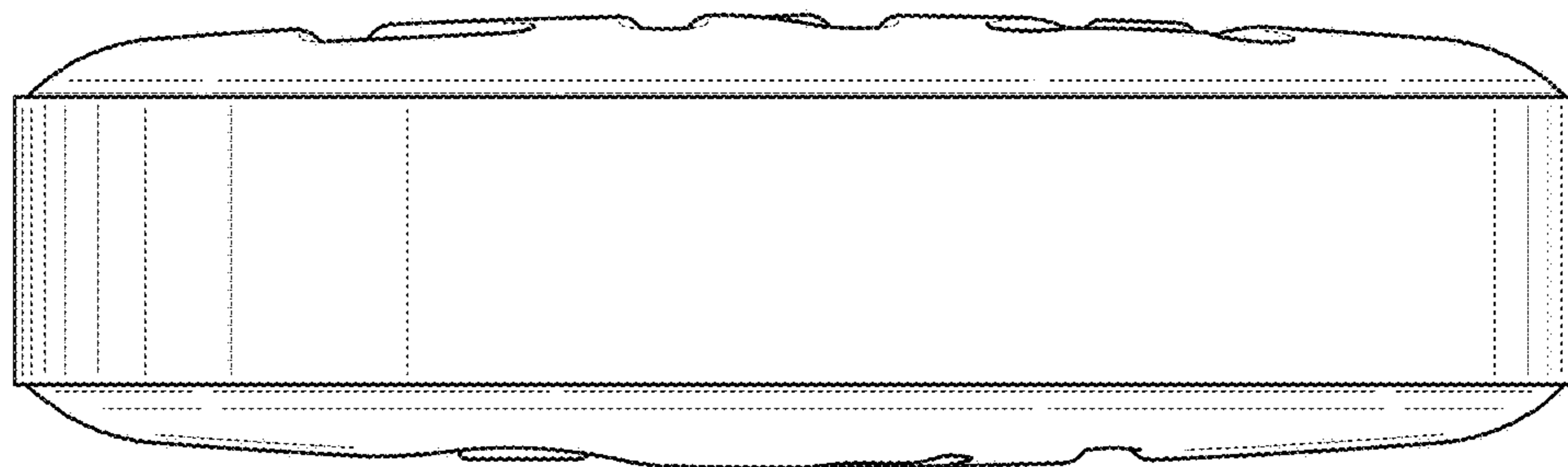


FIG. 11

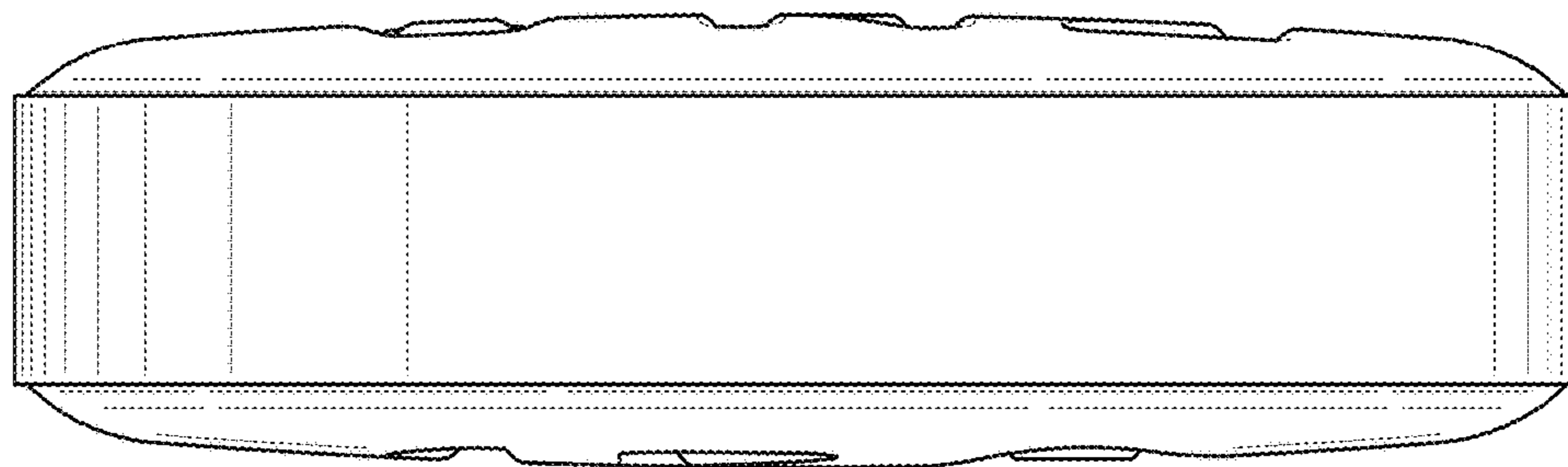


FIG. 12

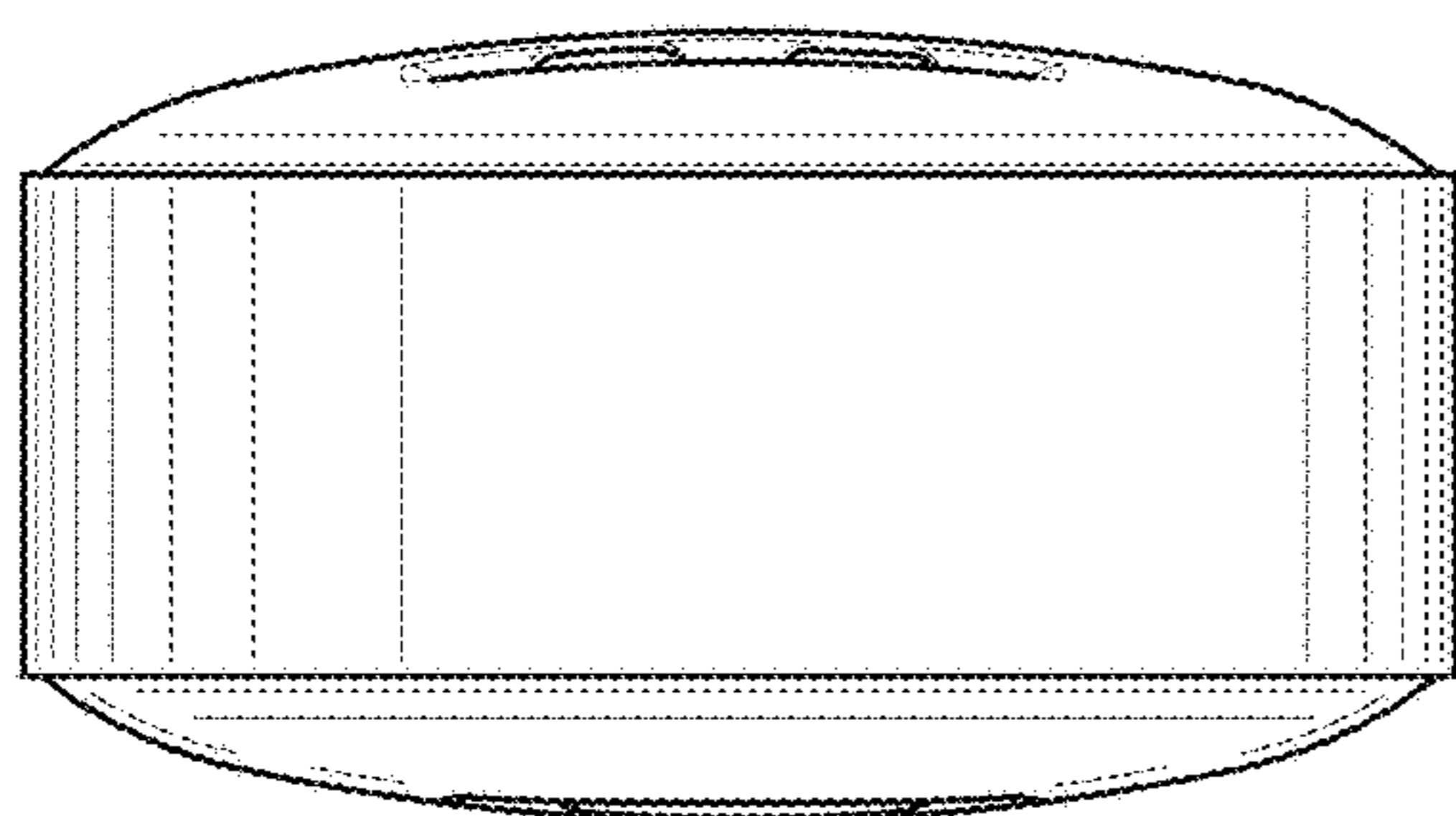


FIG. 13

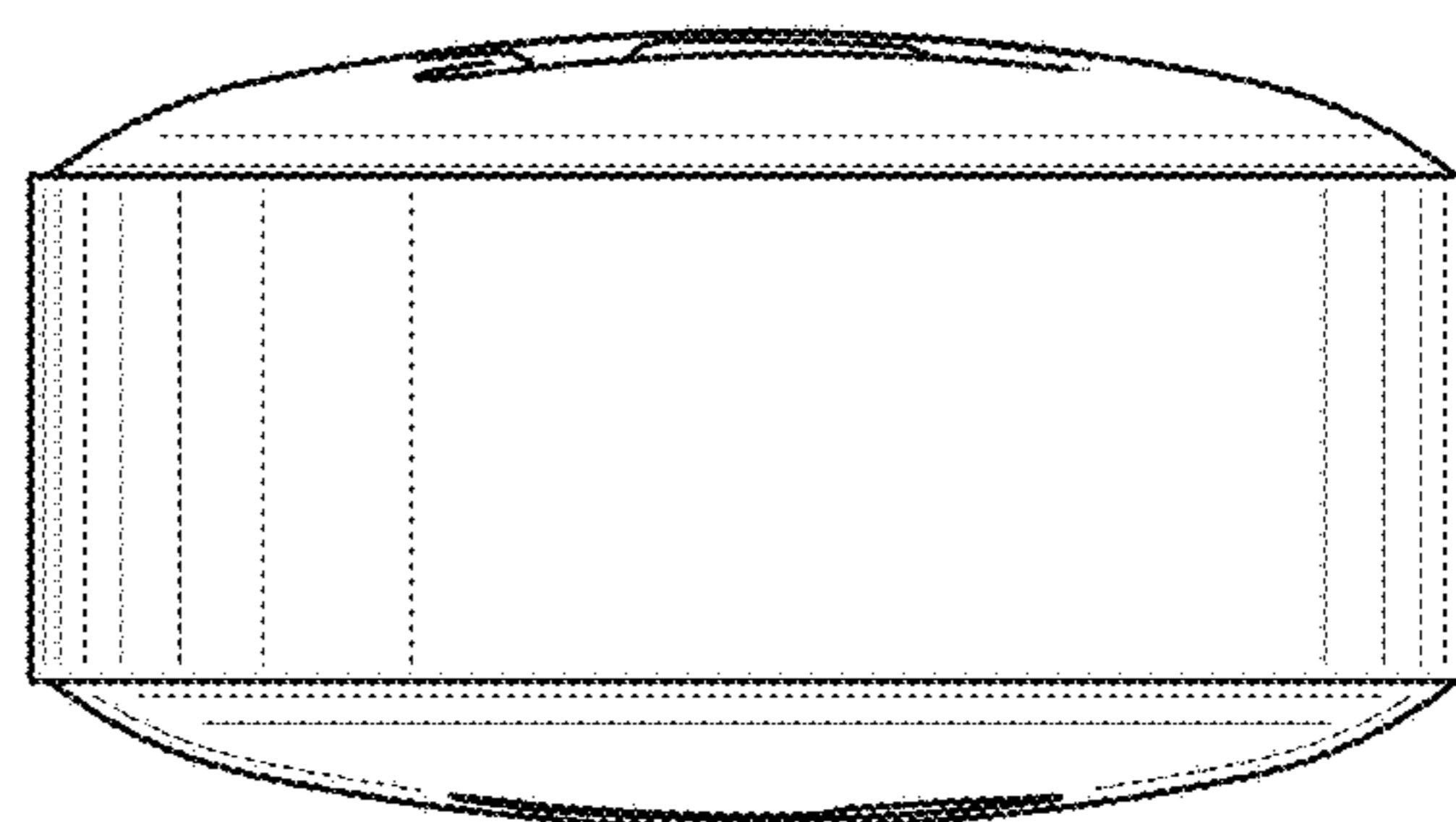


FIG. 14