



US00D813371S

(12) **United States Design Patent**
Sahaye

(10) **Patent No.: US D813,371 S**

(45) **Date of Patent: ** Mar. 20, 2018**

- (54) **MODULAR FIRE GRATE**
- (71) Applicant: **Progressive Home Hardware Inc.,**
Alpharetta, GA (US)
- (72) Inventor: **Nivay Sahaye,** Lawrenceville, GA (US)
- (73) Assignee: **Progressive Home Hardware Inc.,**
Alpharetta, GA (US)
- (**) Term: **15 Years**

D345,416 S *	3/1994	Steele	D23/398
5,636,624 A *	6/1997	Cassidy	F24B 1/193
				126/512
5,664,556 A *	9/1997	Byers	F24B 1/1957
				126/500
D438,949 S *	3/2001	Nathan	D23/398
6,820,610 B2 *	11/2004	Wright	F23H 1/00
				126/152 B
6,871,644 B2 *	3/2005	Chandaria	F24B 1/193
				126/152 B
6,886,555 B2 *	5/2005	Lee	F24B 1/193
				126/152 B

(Continued)

(21) Appl. No.: **29/546,031**

(22) Filed: **Nov. 18, 2015**

(51) **LOC (11) Cl. 23-03**

(52) **U.S. Cl.**
USPC **D23/398**

(58) **Field of Classification Search**
USPC D23/397, 398, 403, 405, 407, 411, 415
CPC ... B64C 2001/009; B64C 11/04; B64C 11/16;
B64C 11/18; B64C 11/20; B64D 13/02;
E04C 2/427; E06B 3/5892; F03D 3/062;
F03D 11/04; F04D 19/002; F04D 25/068;
F04D 25/088; F23D 5/00; F23D 14/02;
F23D 14/04; F23D 14/06; F23D 14/065;
F23D 14/46; F24C 3/08; F24C 3/085;
F24C 3/103; F24C 15/101; F24C 15/14;
F24H 1/12; F24H 1/124; F24F 1/0018

See application file for complete search history.

(56) **References Cited**

U.S. PATENT DOCUMENTS

4,215,671 A *	8/1980	Nadolsky	F24B 1/193
				126/541
D267,465 S *	1/1983	Hassett	D23/398
4,369,762 A *	1/1983	Ziebert	F24B 1/193
				126/152 B
D304,074 S *	10/1989	Moroney	D23/398
4,967,731 A *	11/1990	Terhune	F24B 1/191
				126/521

OTHER PUBLICATIONS

Lifetime Fireplace Grate, image post date Dec. 2, 2009, site visited Aug. 31, 2017, (online), <<https://www.northlineexpress.com/review/product/list/id/94571/>>.*

(Continued)

Primary Examiner — Kevin Rudzinski
Assistant Examiner — Sean D Lough
(74) *Attorney, Agent, or Firm* — Walter A. Rodgers

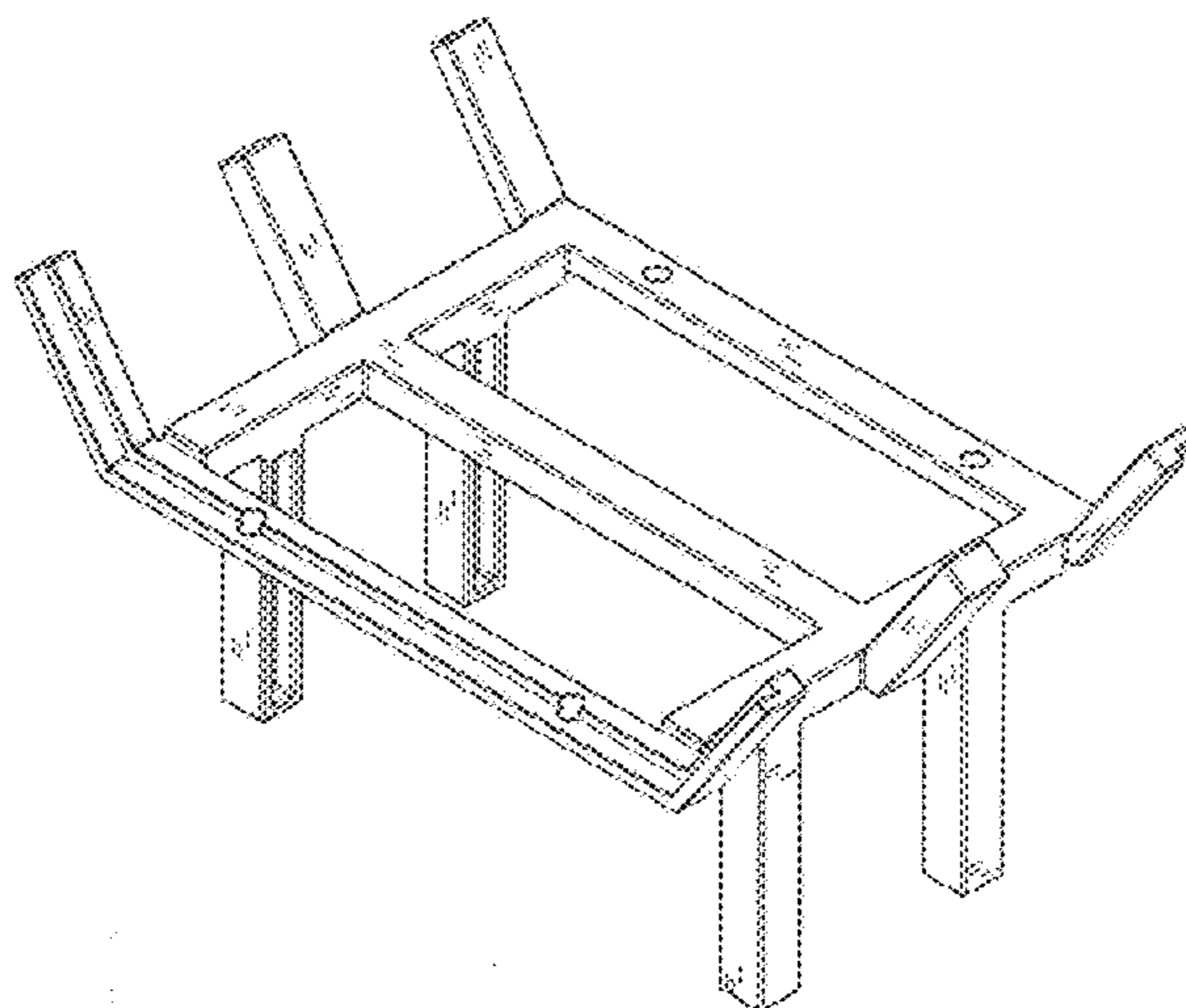
(57) **CLAIM**

The ornamental design for a modular fire grate, as shown and described.

DESCRIPTION

FIG. 1 is a perspective view of the modular fire grate showing my new design;
FIG. 2 is a rear elevation view thereof;
FIG. 3 is a top plan view thereof;
FIG. 4 is a right-side elevation view thereof;
FIG. 5 is a bottom plan view thereof;
FIG. 6 is a front elevation view thereof; and,
FIG. 7 is a left-side elevation view thereof.
The broken lines in FIG. 5 illustrate portions of the modular fire grate that form no part of the claimed design.

1 Claim, 7 Drawing Sheets



(56)

References Cited

U.S. PATENT DOCUMENTS

7,886,736 B2 * 2/2011 Eiklor F24B 1/1808
126/512
D706,408 S * 6/2014 Betz D23/403
8,776,779 B2 * 7/2014 Johnston F24B 1/193
126/540

OTHER PUBLICATIONS

Fireplace Grates, image post date Oct. 21, 2015, site visited Aug. 31, 2017, (online), <<https://web.archive.org/web/20151021070456/https://www.northlineexpress.com/how-to-choose-a-fireplace-grate.html>>.*

Style Selections 5_8-in Cast Iron 7-in 3-Bar Fireplace Grate Bar, image post date Nov. 14, 2016, site visited Aug. 31, 2017, (online), <<https://www.lowes.com/pd/Style-Selections-5-8-in-Cast-Iron-7-in-3-Bar-Fireplace-Grate-Bar/1000107563>>.*

* cited by examiner

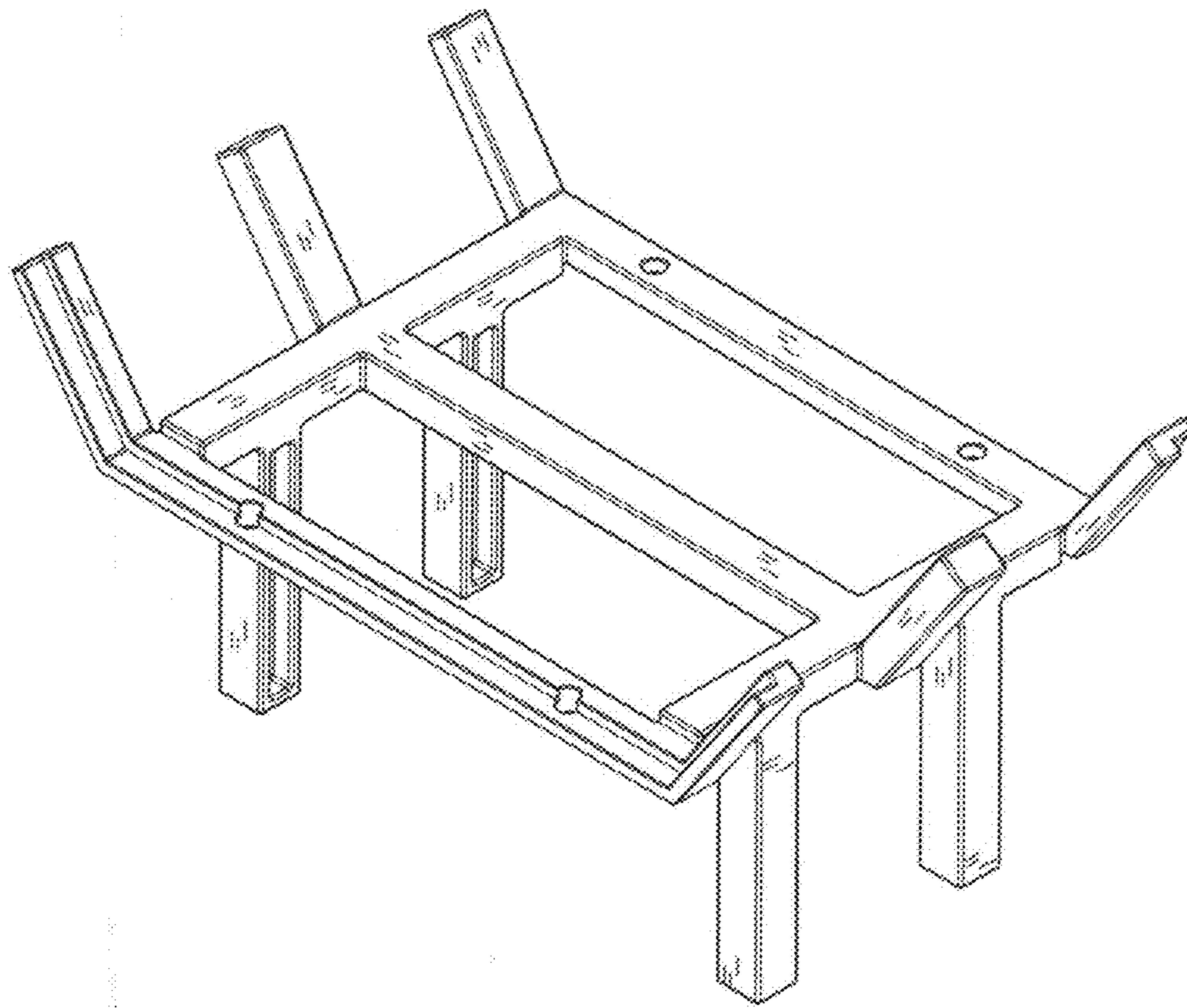


FIG. 1

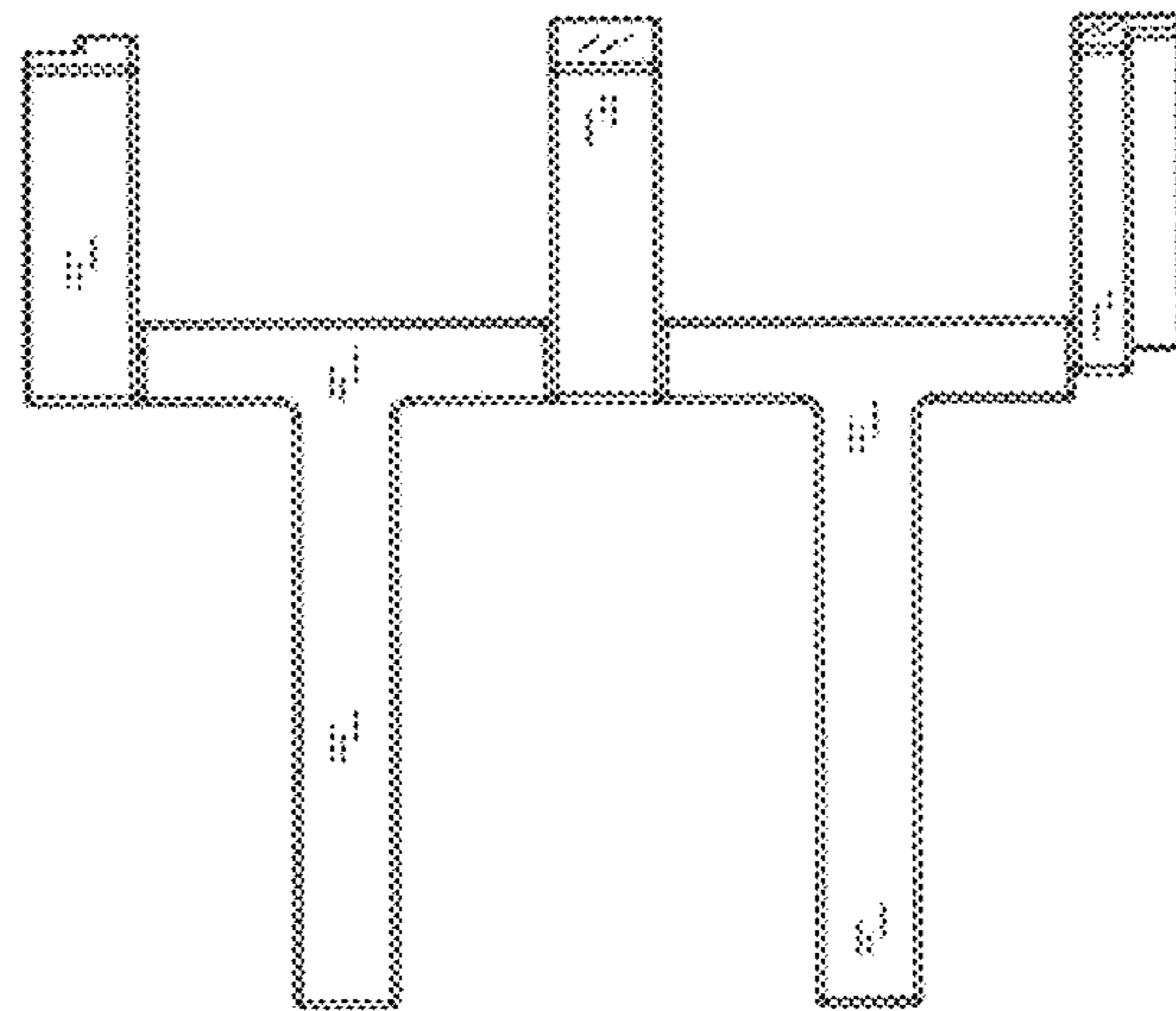


FIG. 2

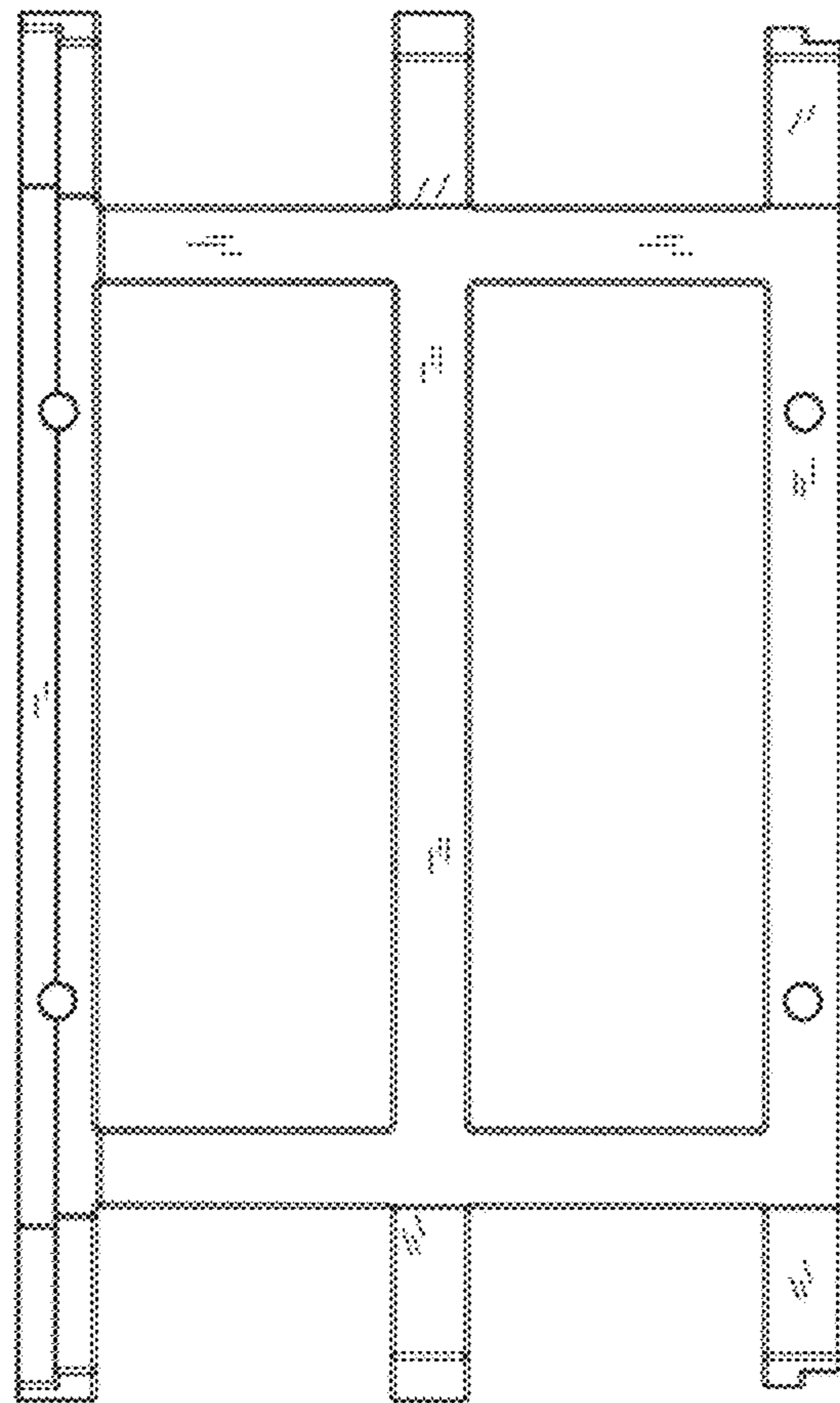


FIG. 3

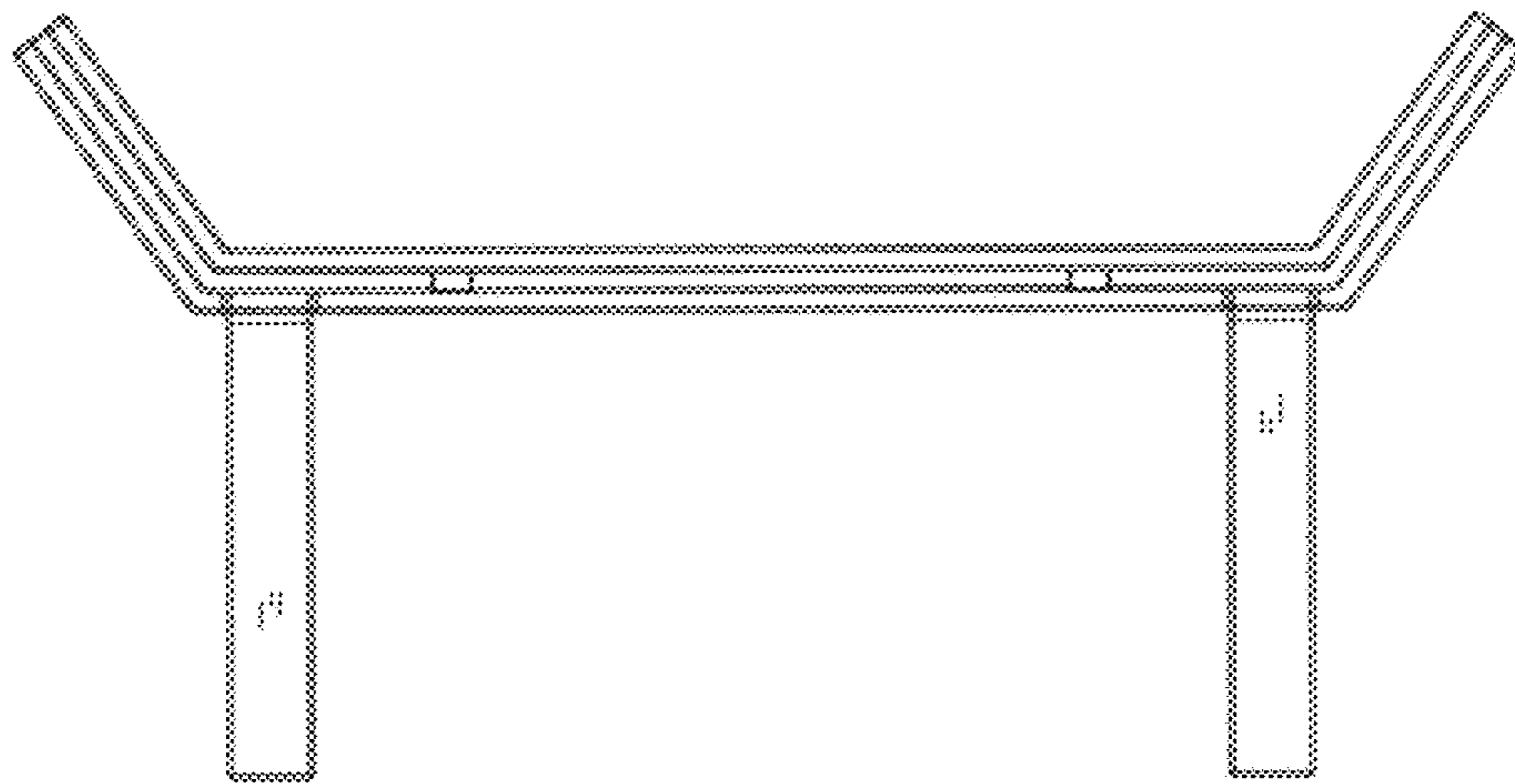


FIG. 4

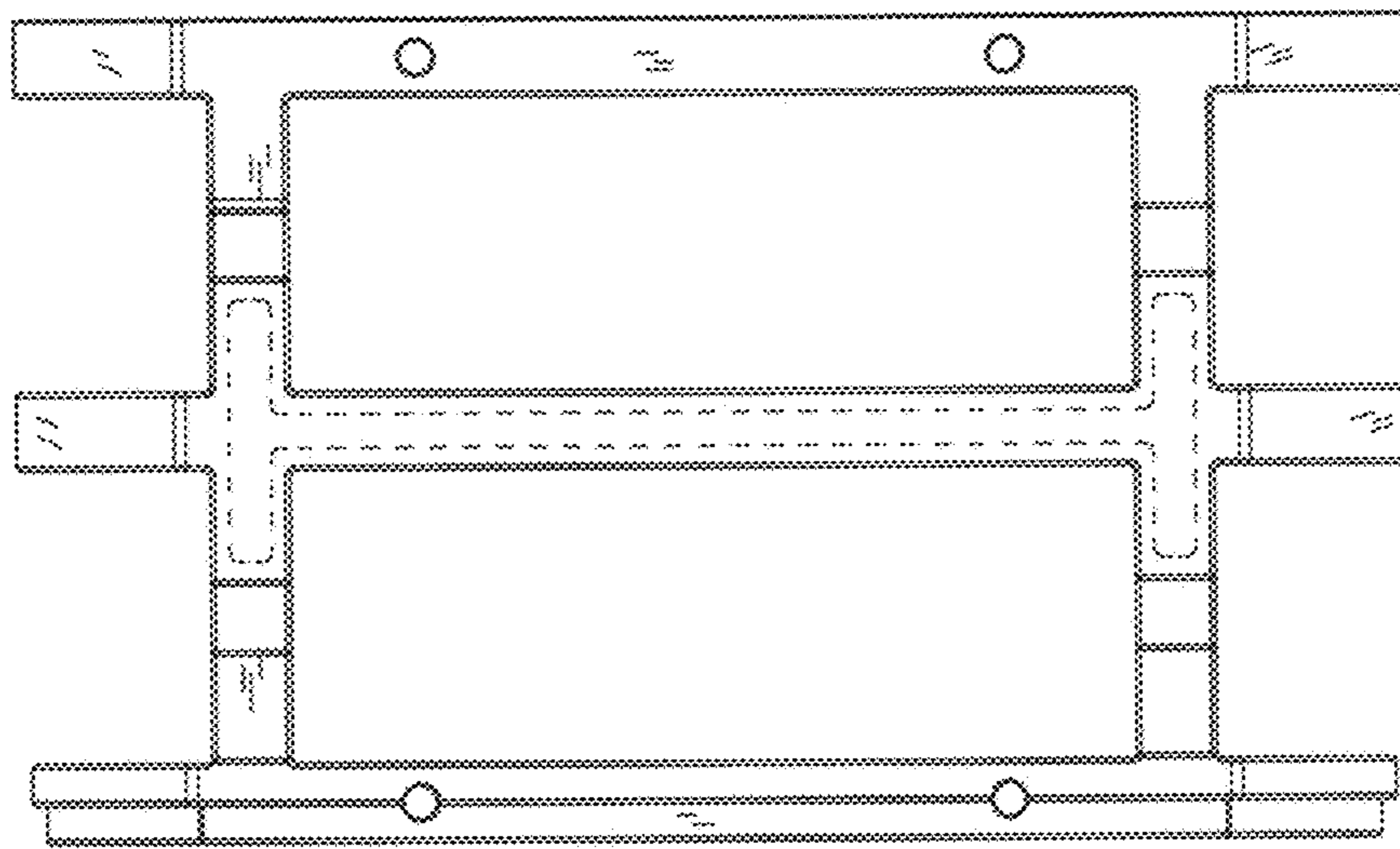


FIG. 5

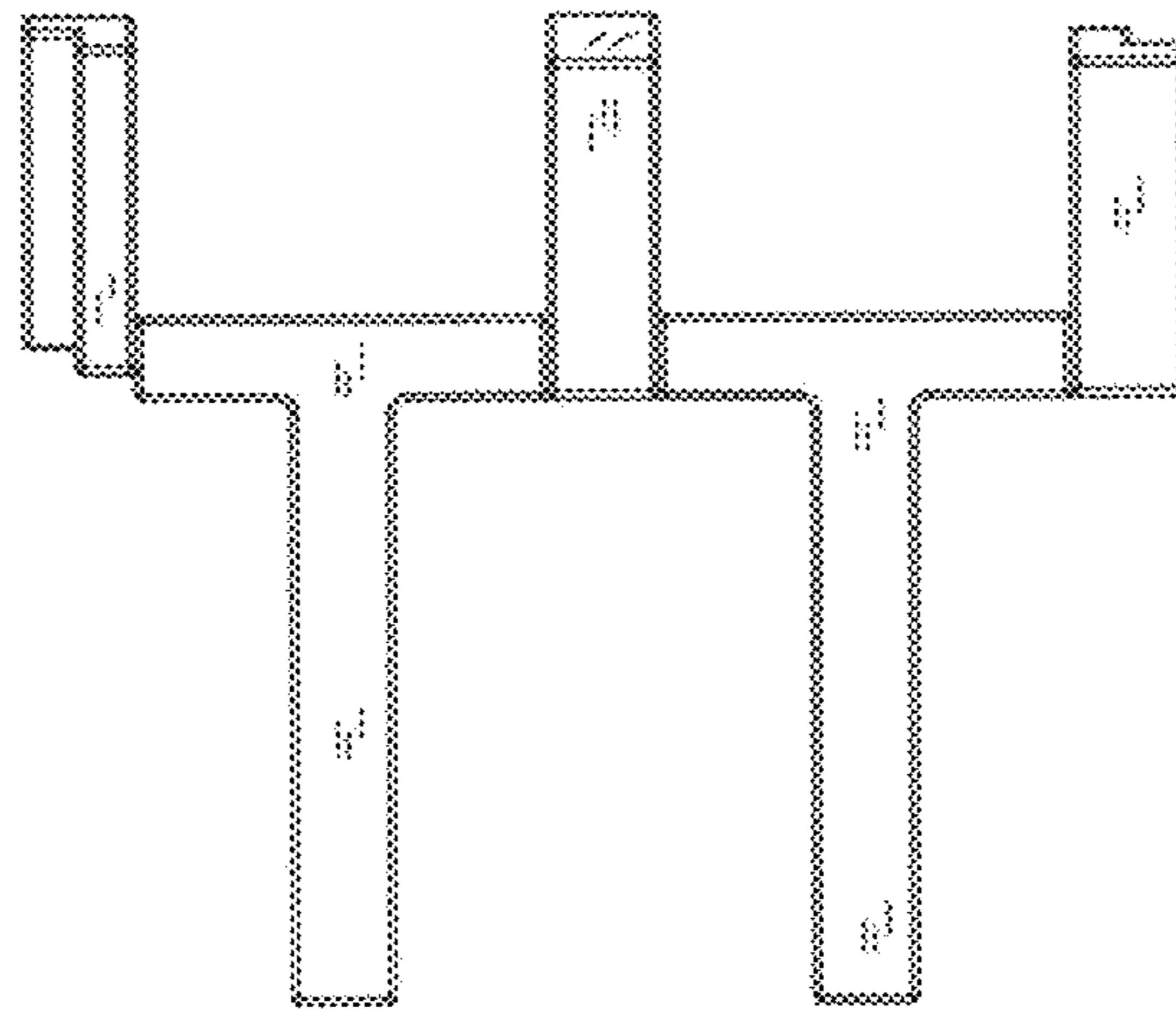


FIG. 6

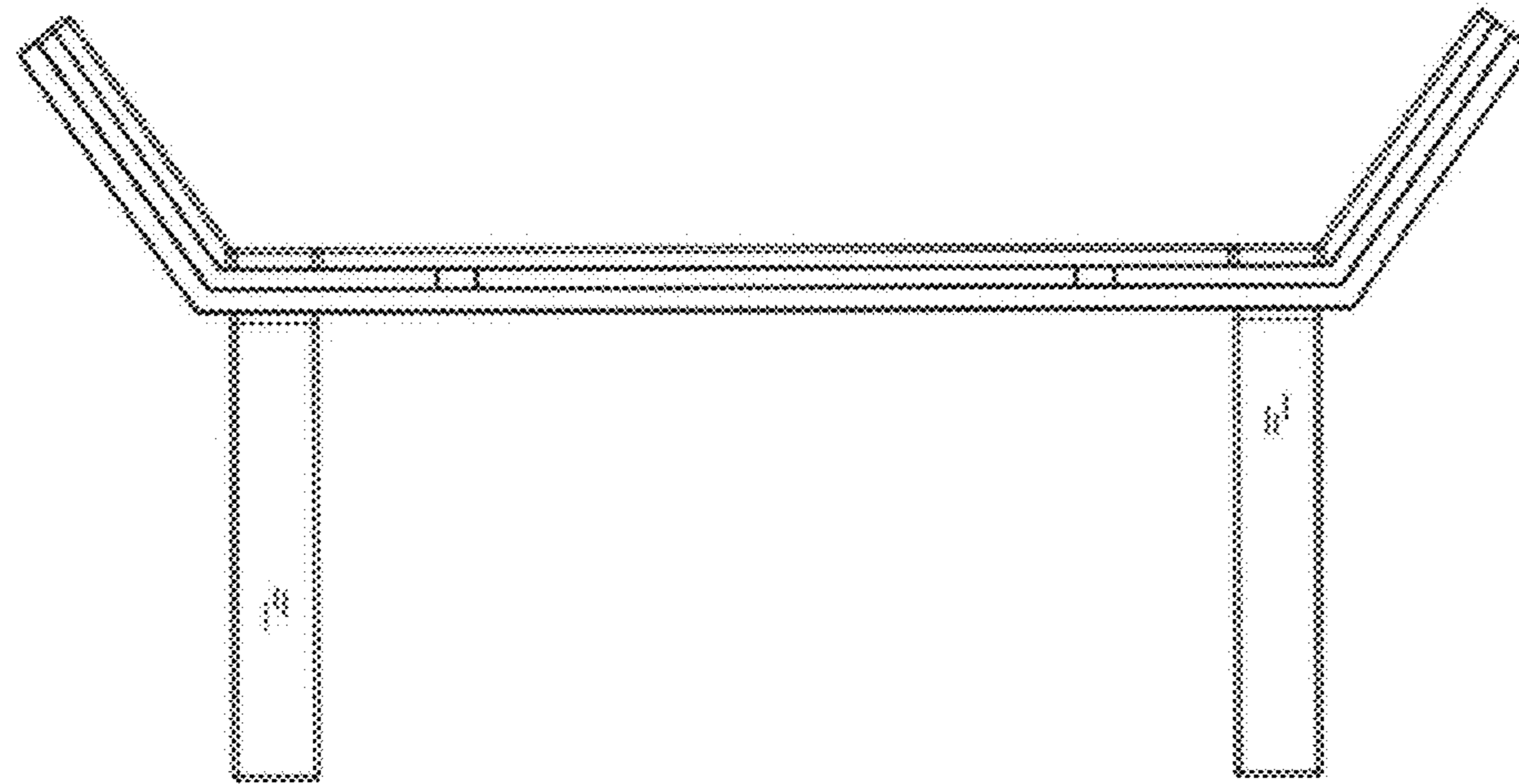


FIG. 7