



US00D813367S

(12) **United States Design Patent**
Situ

(10) **Patent No.:** **US D813,367 S**
(45) **Date of Patent:** **** Mar. 20, 2018**

- (54) **ESSENTIAL OIL DIFFUSER**
- (71) Applicant: **Jianhao Situ**, Guangdong (CN)
- (72) Inventor: **Jianhao Situ**, Guangdong (CN)
- (**) Term: **15 Years**
- (21) Appl. No.: **29/584,582**
- (22) Filed: **Nov. 16, 2016**
- (51) **LOC (11) Cl.** **28-99**
- (52) **U.S. Cl.**
USPC **D23/366**
- (58) **Field of Classification Search**
USPC D23/314, 325, 332-336, 342, 351, 352,
D23/355-369, 370, 386-388; D14/168;
D9/500, 503, 504; D7/300.1, 510
CPC Y10T 428/1366; B32B 2597/00; A61M
25/0012; B01D 46/00; B01D 46/0004;
B01D 27/04
See application file for complete search history.

D735,314 S * 7/2015 Benamor D23/366
D754,832 S * 4/2016 Seo D23/365
D771,785 S * 11/2016 Huang D23/366

OTHER PUBLICATIONS

Aroma diffuser reference found online [Aug. 3, 2017]—<http://www.dhgate.com/product/wood-grain-glass-aromatherapy-aroma-diffuser/385522348.html>.*

* cited by examiner

Primary Examiner — Robert M. Spear
Assistant Examiner — John A Voytek

(57) **CLAIM**

The ornamental design for an essential oil diffuser, as shown and described.

DESCRIPTION

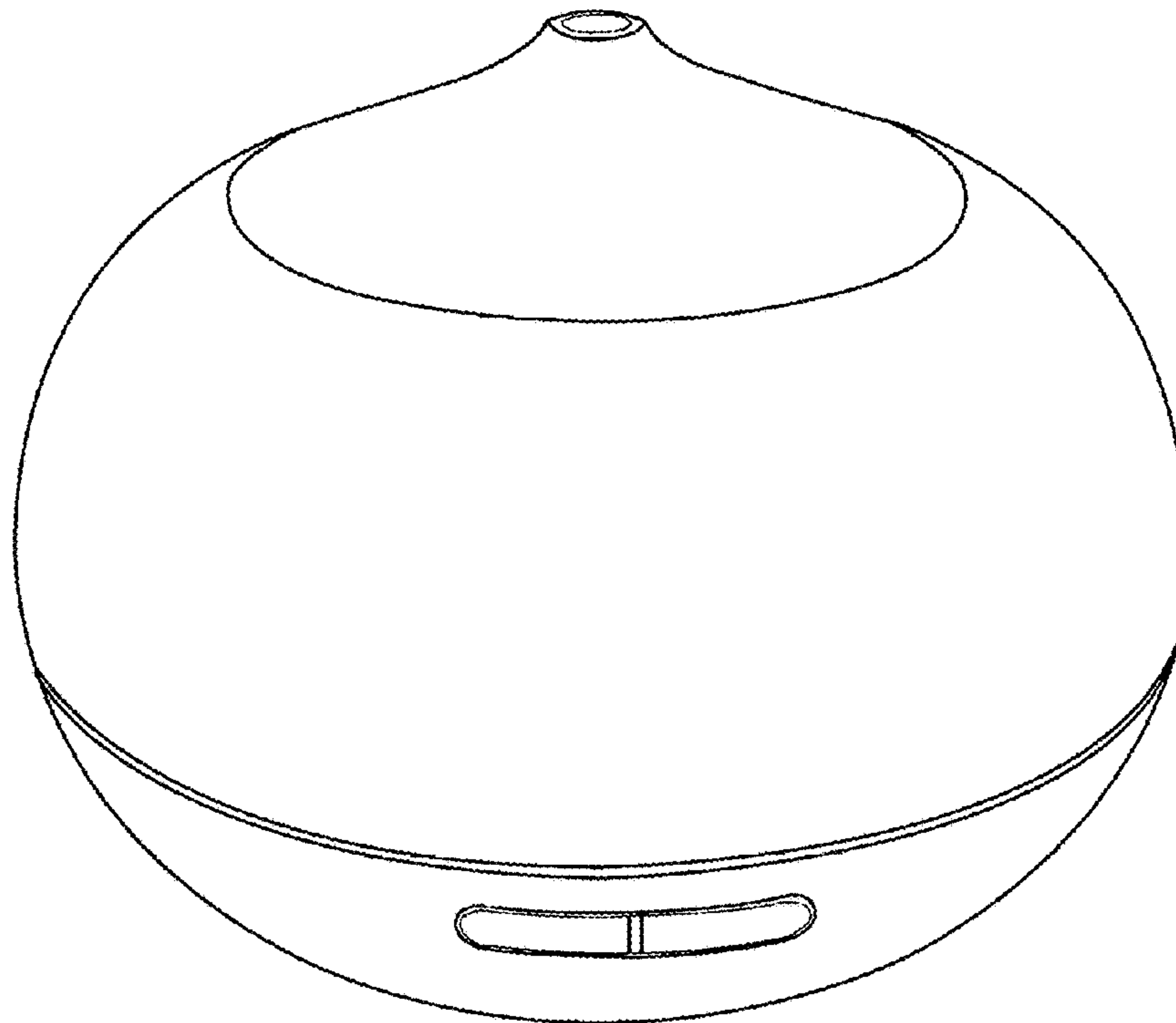
FIG. 1 is a front elevational view of an essential oil diffuser showing my new design;
FIG. 2 is a rear elevational view thereof;
FIG. 3 is a right side view thereof;
FIG. 4 is a top plan view thereof;
FIG. 5 is a bottom plan view thereof; and,
FIG. 6 is a perspective view thereof.
FIG. 3 is a right side view thereof, the left side view being a mirror image of the right side view.
The broken lines shown form no part of the claimed design.

1 Claim, 5 Drawing Sheets

(56) **References Cited**

U.S. PATENT DOCUMENTS

- D647,189 S * 10/2011 Mochizuki D23/366
- D685,896 S * 7/2013 Niedermann D23/356
- D696,763 S * 12/2013 Li D23/366
- D698,429 S * 1/2014 Jorgensen D23/366
- D698,909 S * 2/2014 Chou D23/366
- D720,063 S * 12/2014 Li D23/366
- D720,064 S * 12/2014 Li D23/366



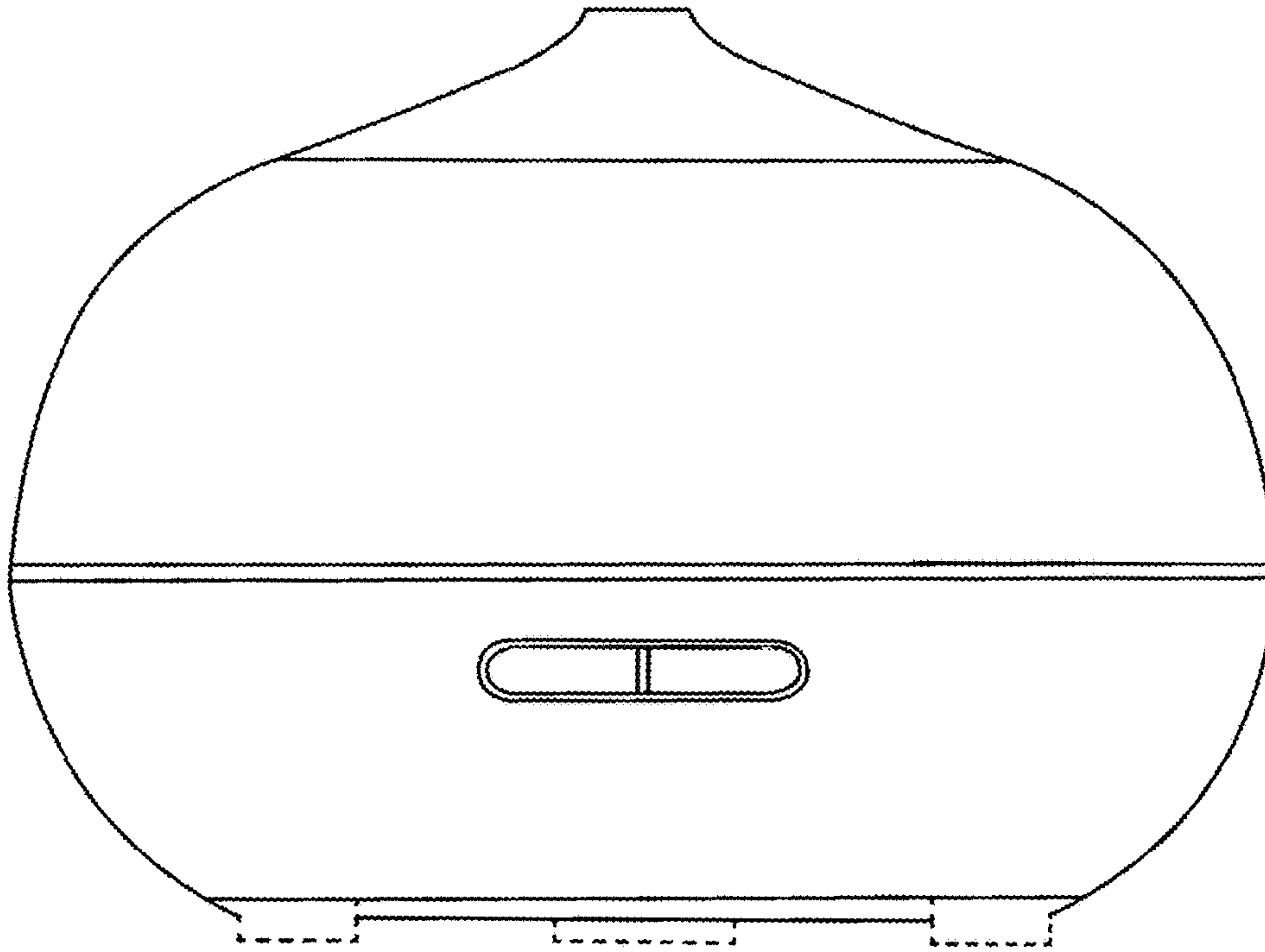


FIG. 1

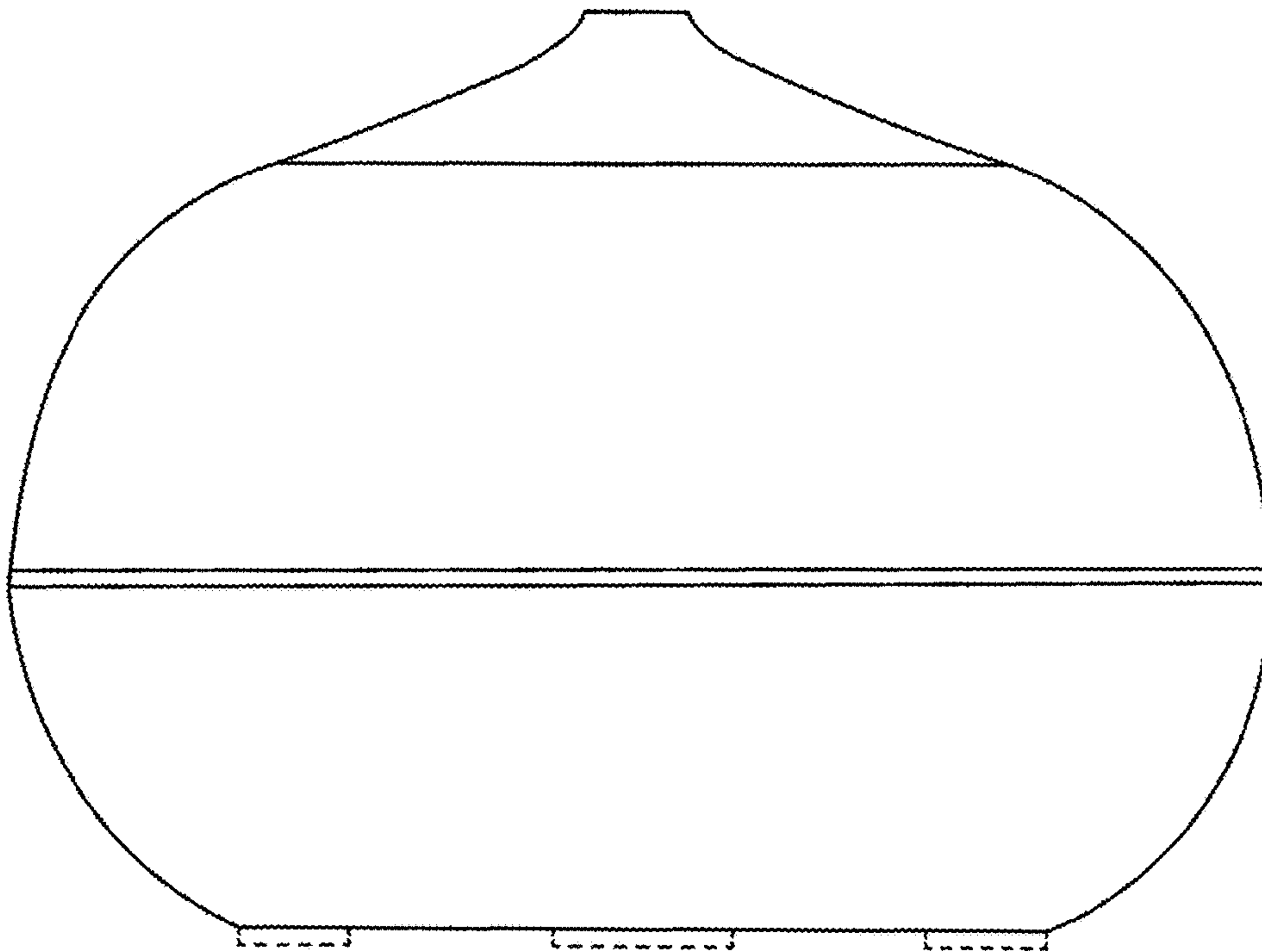
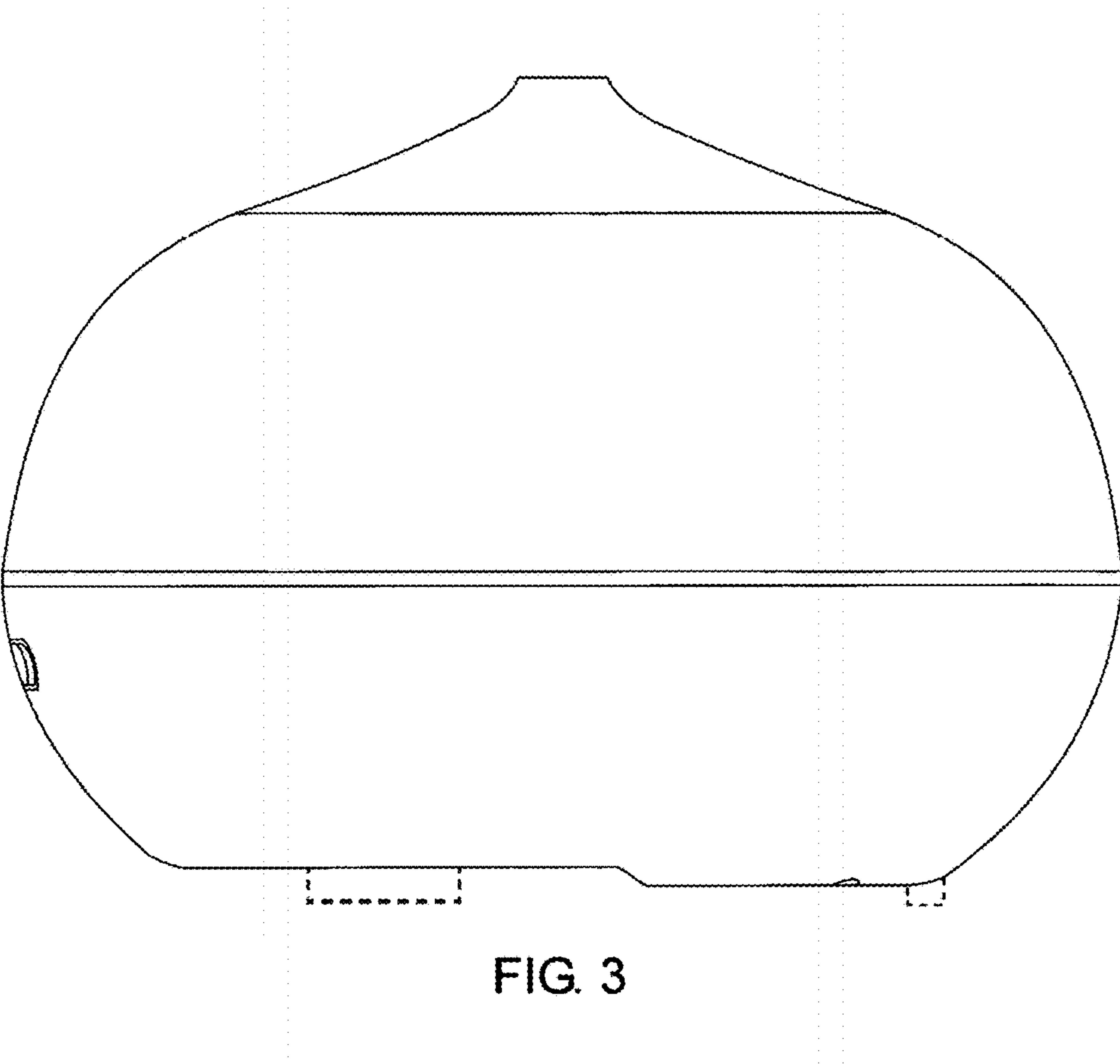


FIG. 2



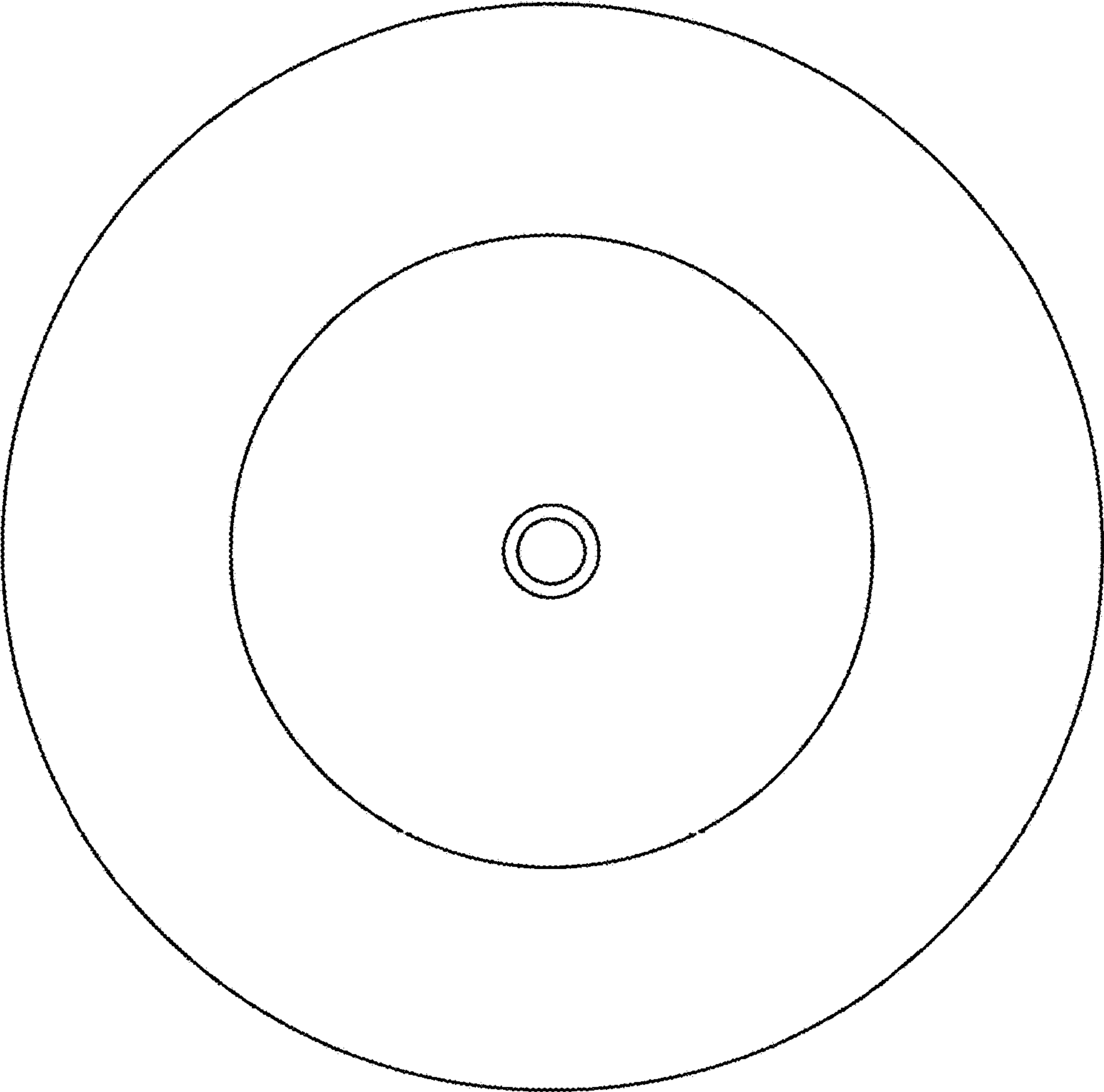


FIG. 4

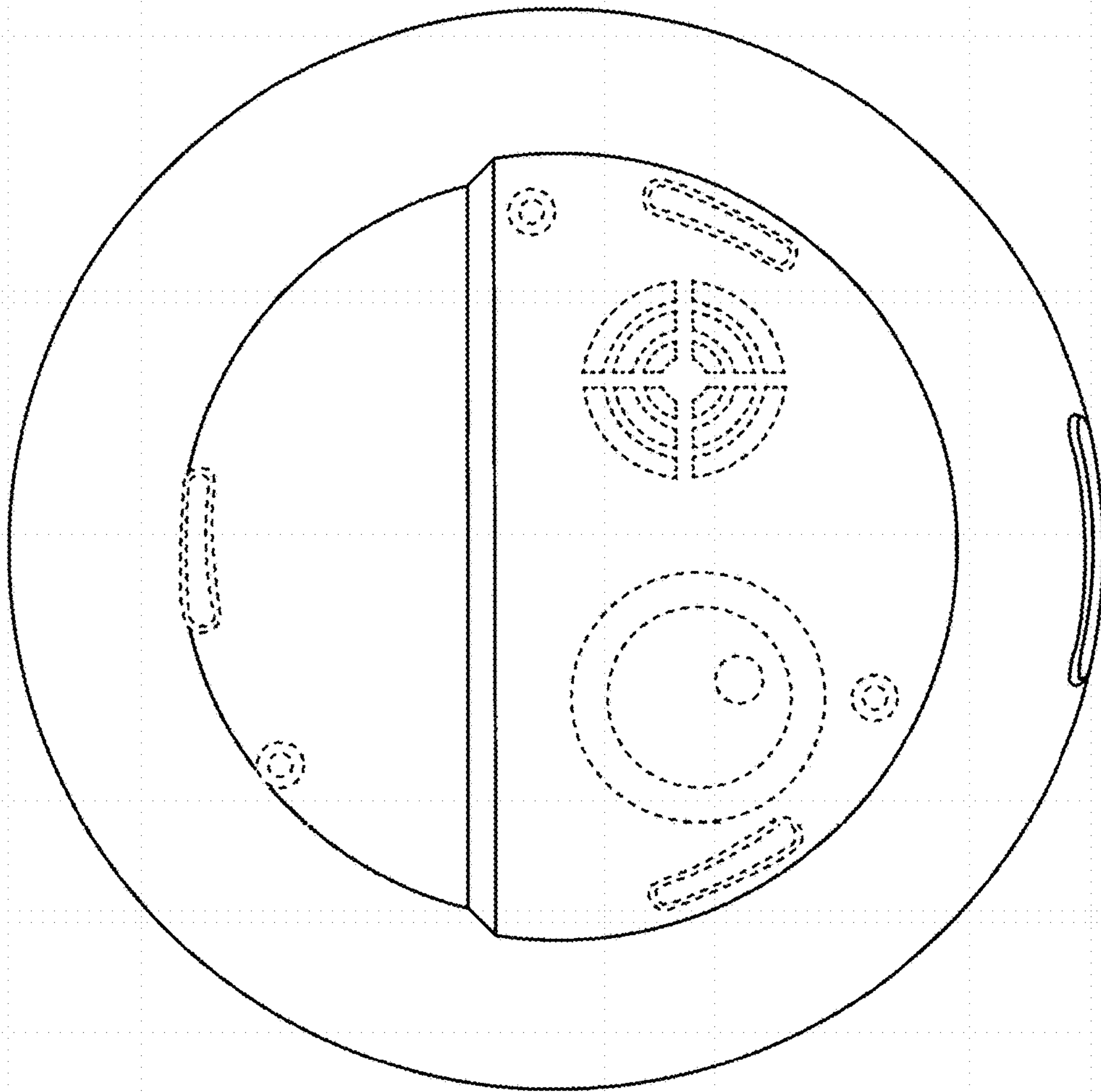


FIG. 5

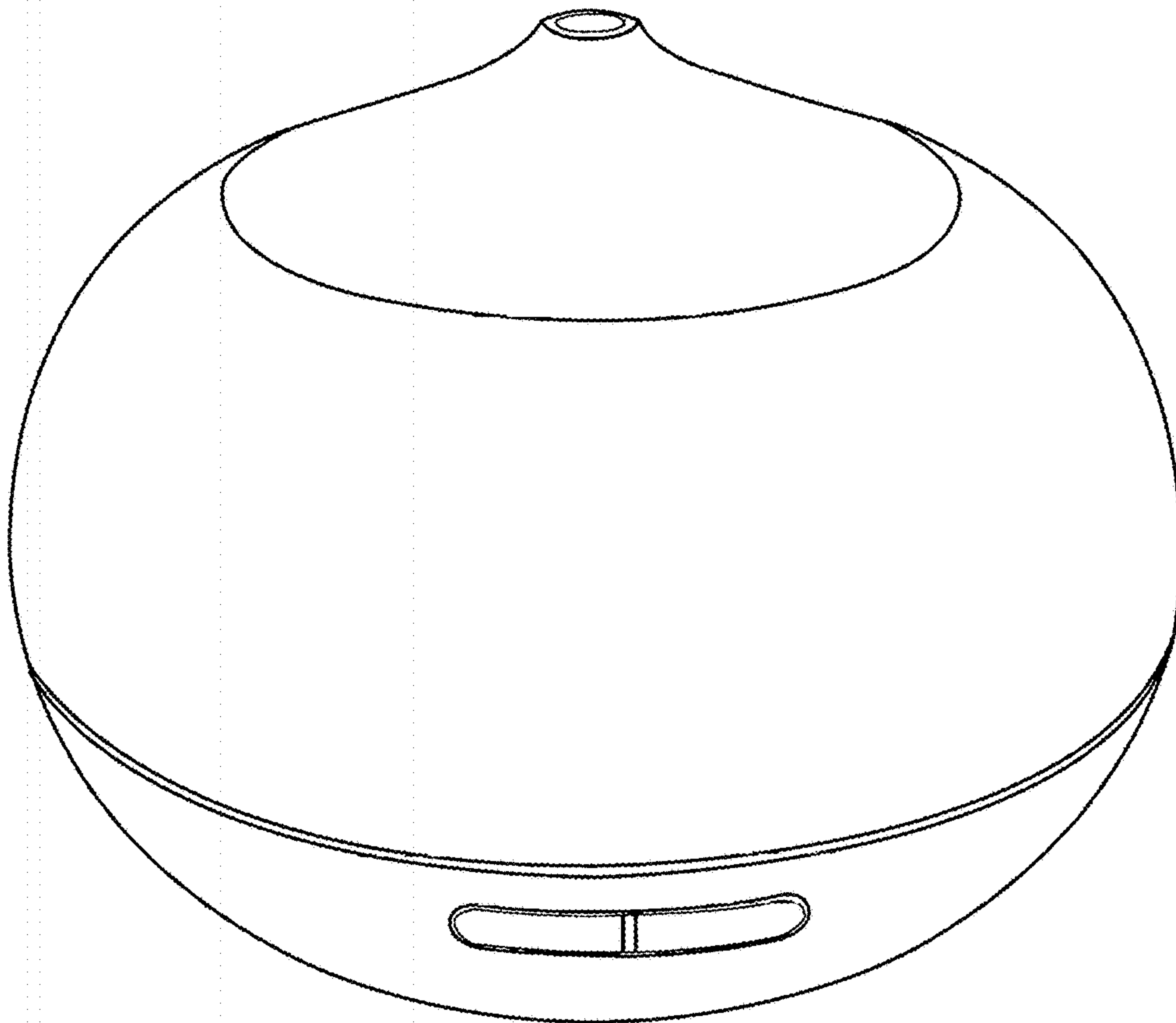


FIG. 6