



US00D813366S

(12) **United States Design Patent**
Tang

(10) **Patent No.:** **US D813,366 S**

(45) **Date of Patent:** **** Mar. 20, 2018**

(54) **AROMA DIFFUSER**

D698,909 S * 2/2014 Chou D23/366
D753,279 S * 4/2016 Li D23/366
D773,302 S * 12/2016 Henriksson D9/451

(71) Applicant: **Xiaolan Tang**, Fujian (CN)

(72) Inventor: **Xiaolan Tang**, Fujian (CN)

(**) Term: **15 Years**

(21) Appl. No.: **29/582,497**

(22) Filed: **Oct. 28, 2016**

(51) **LOC (11) Cl.** **28-99**

(52) **U.S. Cl.**
USPC **D23/366**

(58) **Field of Classification Search**
USPC D23/314, 325, 332-336, 342, 351, 352,
D23/355-369, 370, 386-388; D14/168;
D9/500, 503, 504; D7/300.1, 510
CPC Y10T 428/1366; B32B 2597/00; A61M
25/0012; B01D 46/00; B01D 46/0004;
B01D 27/04

See application file for complete search history.

(56) **References Cited**

U.S. PATENT DOCUMENTS

D289,920 S * 5/1987 O'Neil, Jr. D23/366
D364,676 S * 11/1995 Chiu D23/356
D543,458 S * 5/2007 Dittmer D9/504
D611,588 S * 3/2010 Jorgensen D23/366
D696,763 S * 12/2013 Li D23/366
D697,800 S * 1/2014 Villarreal D28/82
D698,429 S * 1/2014 Jorgensen D23/366

OTHER PUBLICATIONS

Innogear Essential Oil Diffuser found online [Jul. 18, 2017] <https://www.amazon.com/dp/B016WEO4MM?psc=1>.*

* cited by examiner

Primary Examiner — Robert M. Spear

Assistant Examiner — John A Voytek

(74) *Attorney, Agent, or Firm* — Justin Lampel

(57) **CLAIM**

The ornamental design for aroma diffuser, as shown and described.

DESCRIPTION

FIG. 1 is a perspective view of an aroma diffuser showing my new design;

FIG. 2 is a front elevational view thereof;

FIG. 3 is a rear elevational view thereof;

FIG. 4 is a right side view thereof;

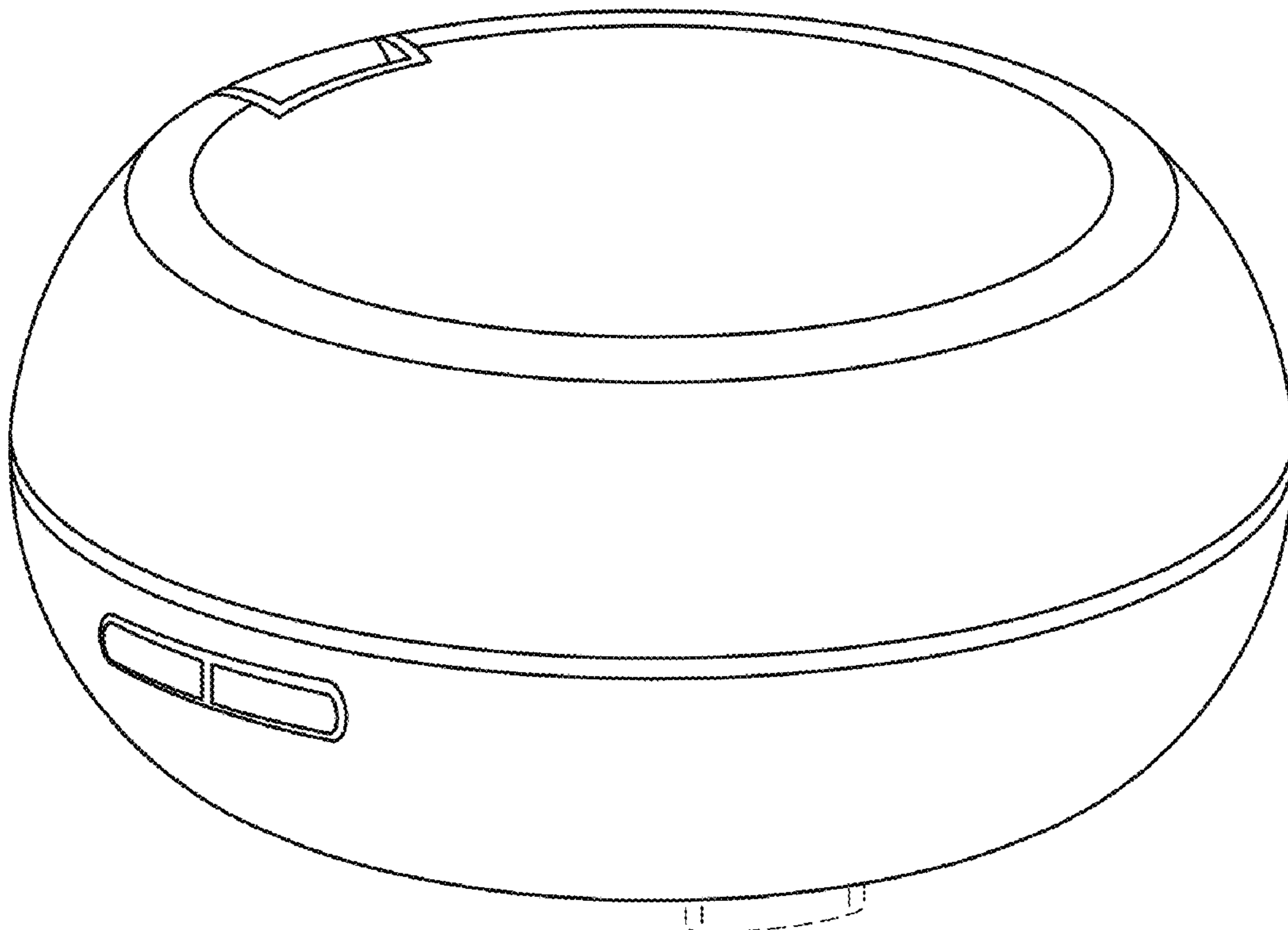
FIG. 5 is a left side view thereof;

FIG. 6 is a bottom plan view thereof; and,

FIG. 7 is a top plan view thereof.

The dotted lines are for illustrative purposes only and forms no part of the claimed design.

1 Claim, 4 Drawing Sheets



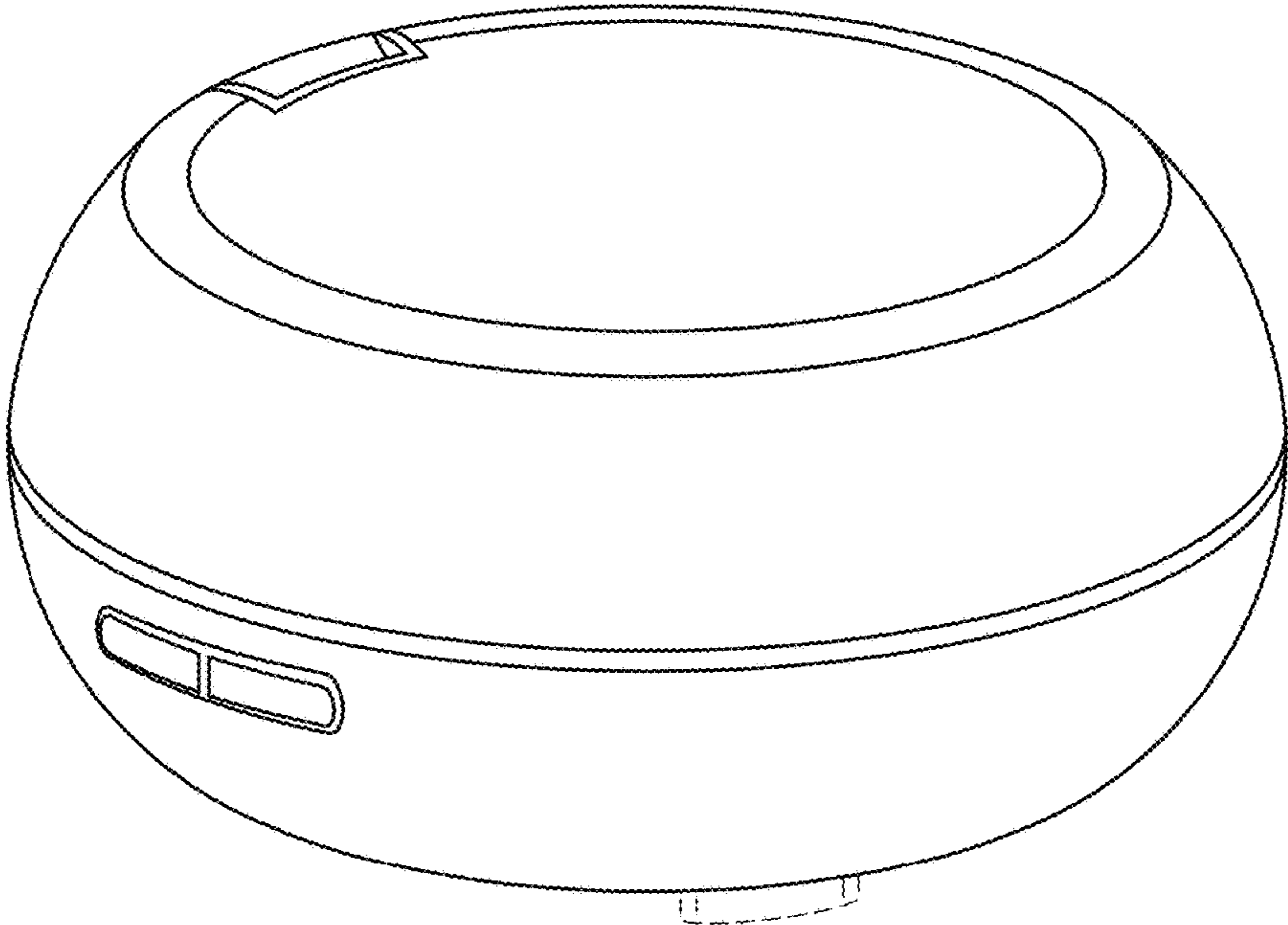


FIG. 1

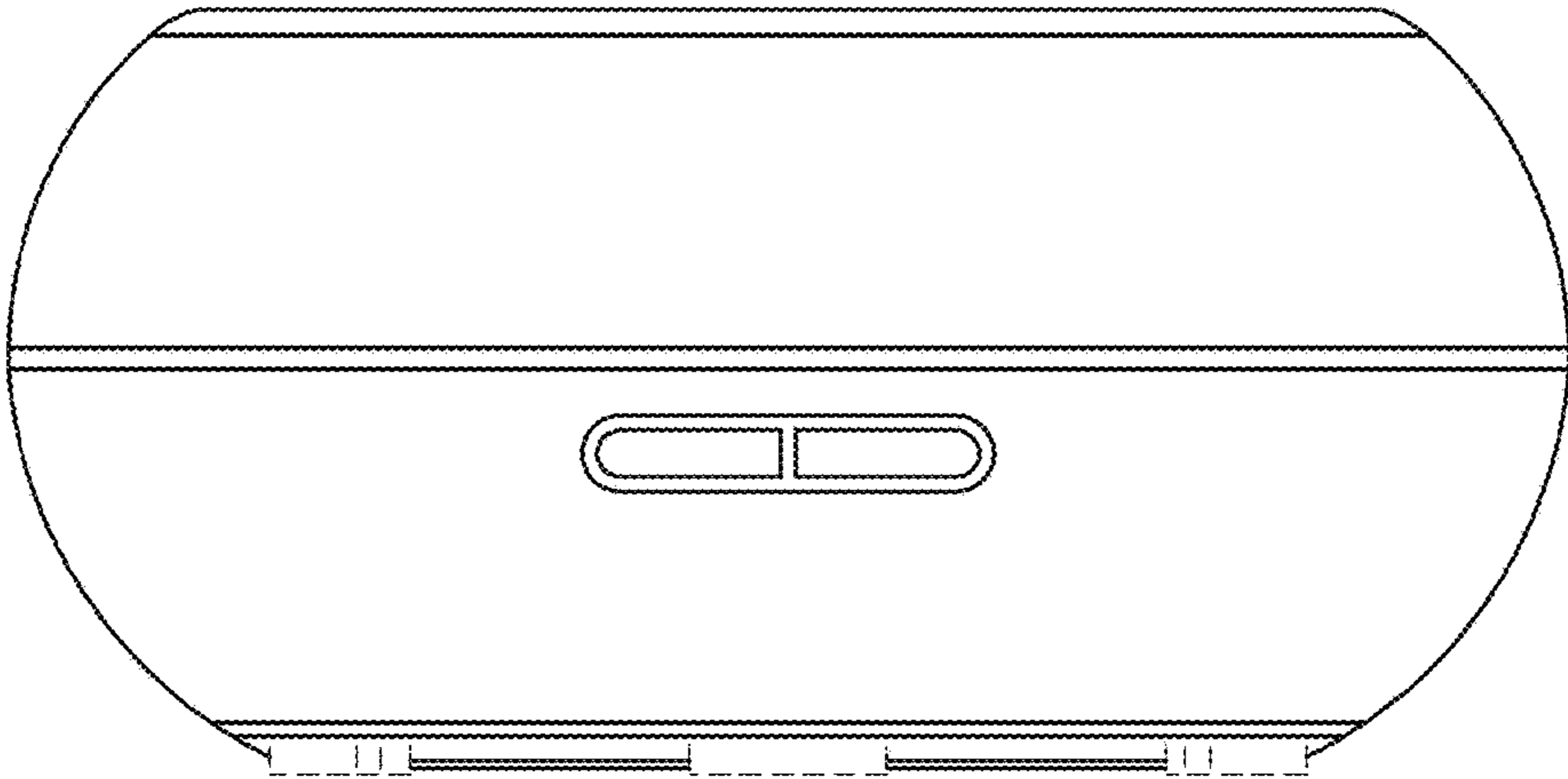


FIG. 2

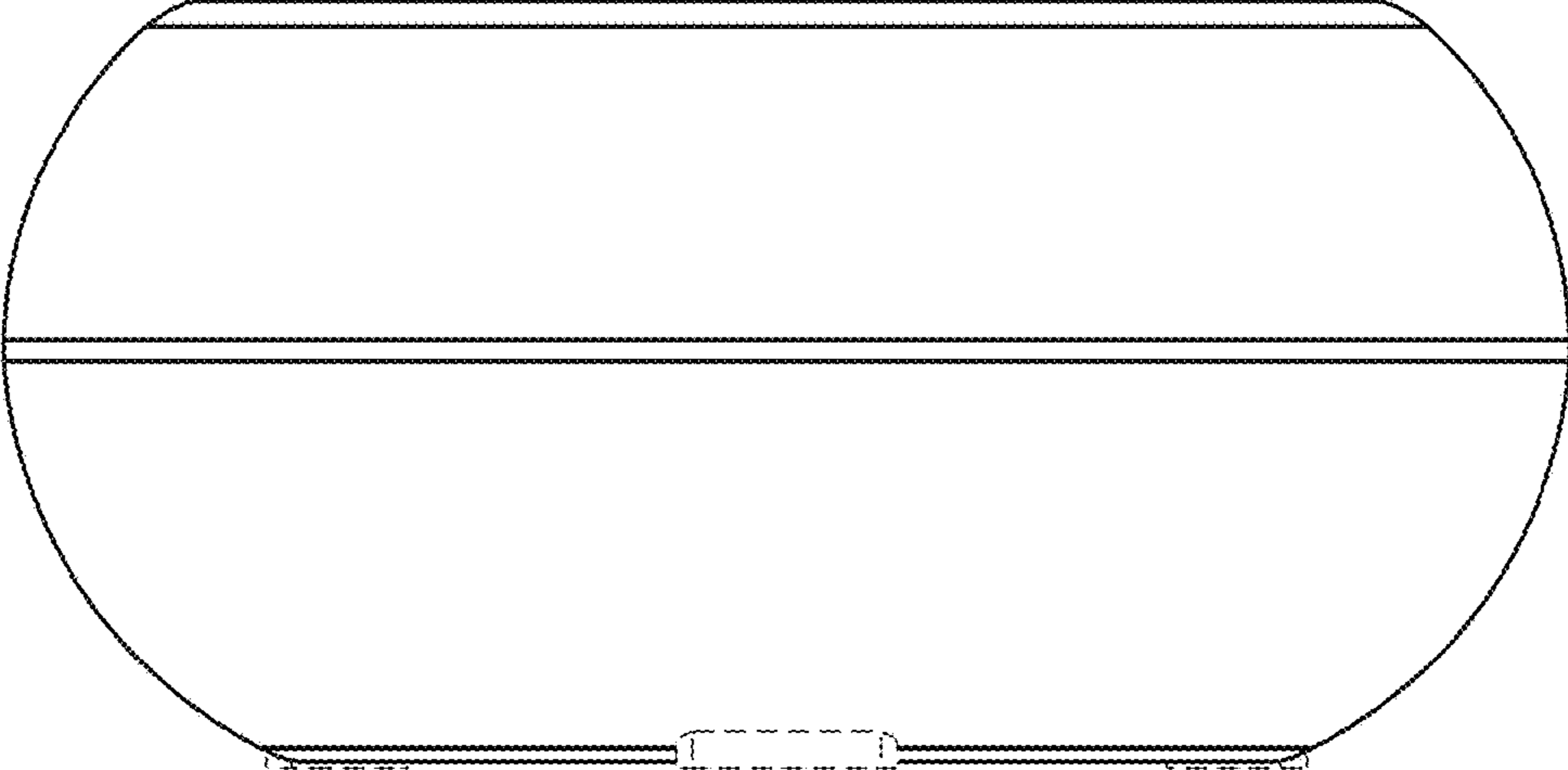


FIG. 3

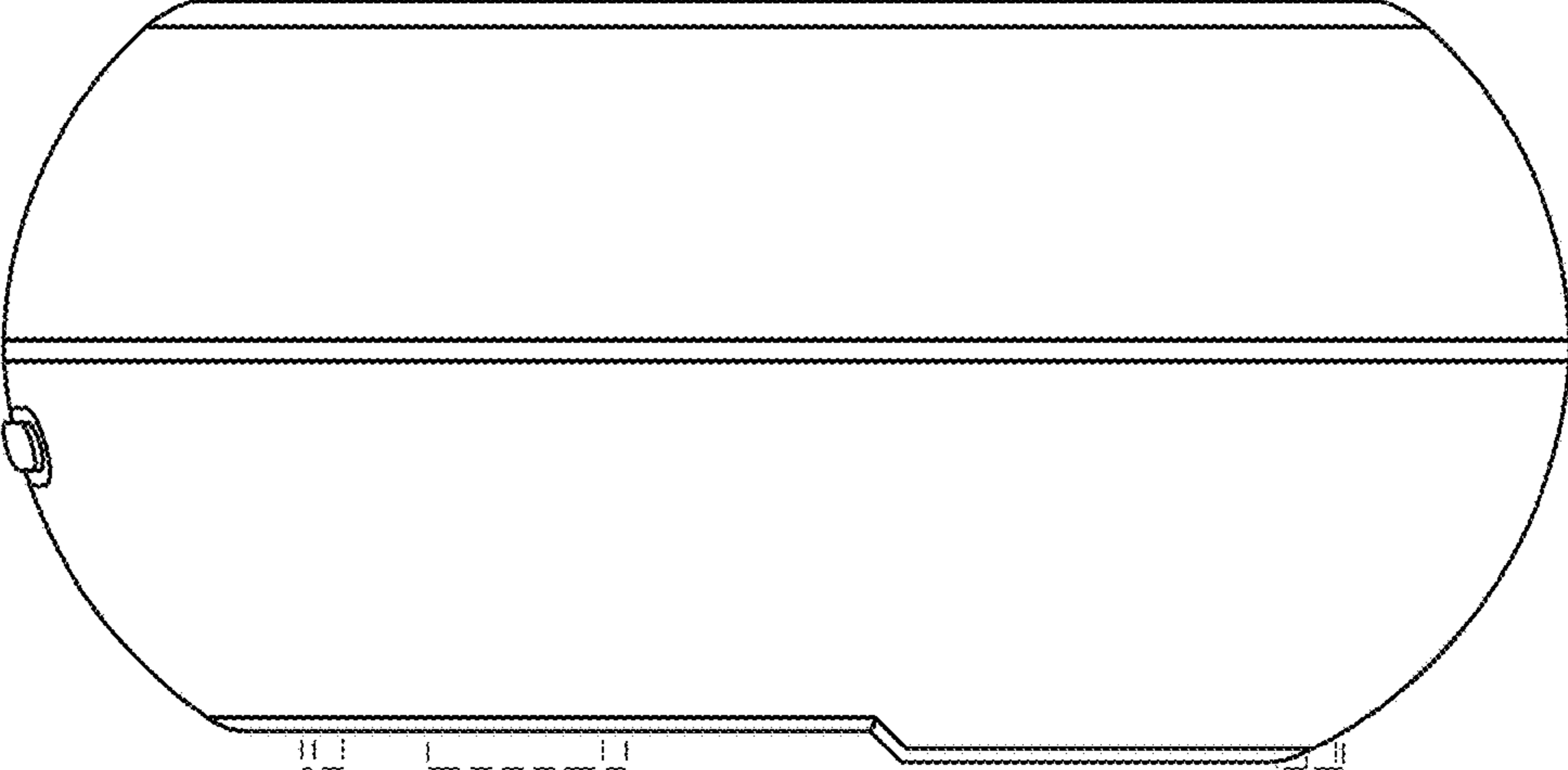


FIG. 4

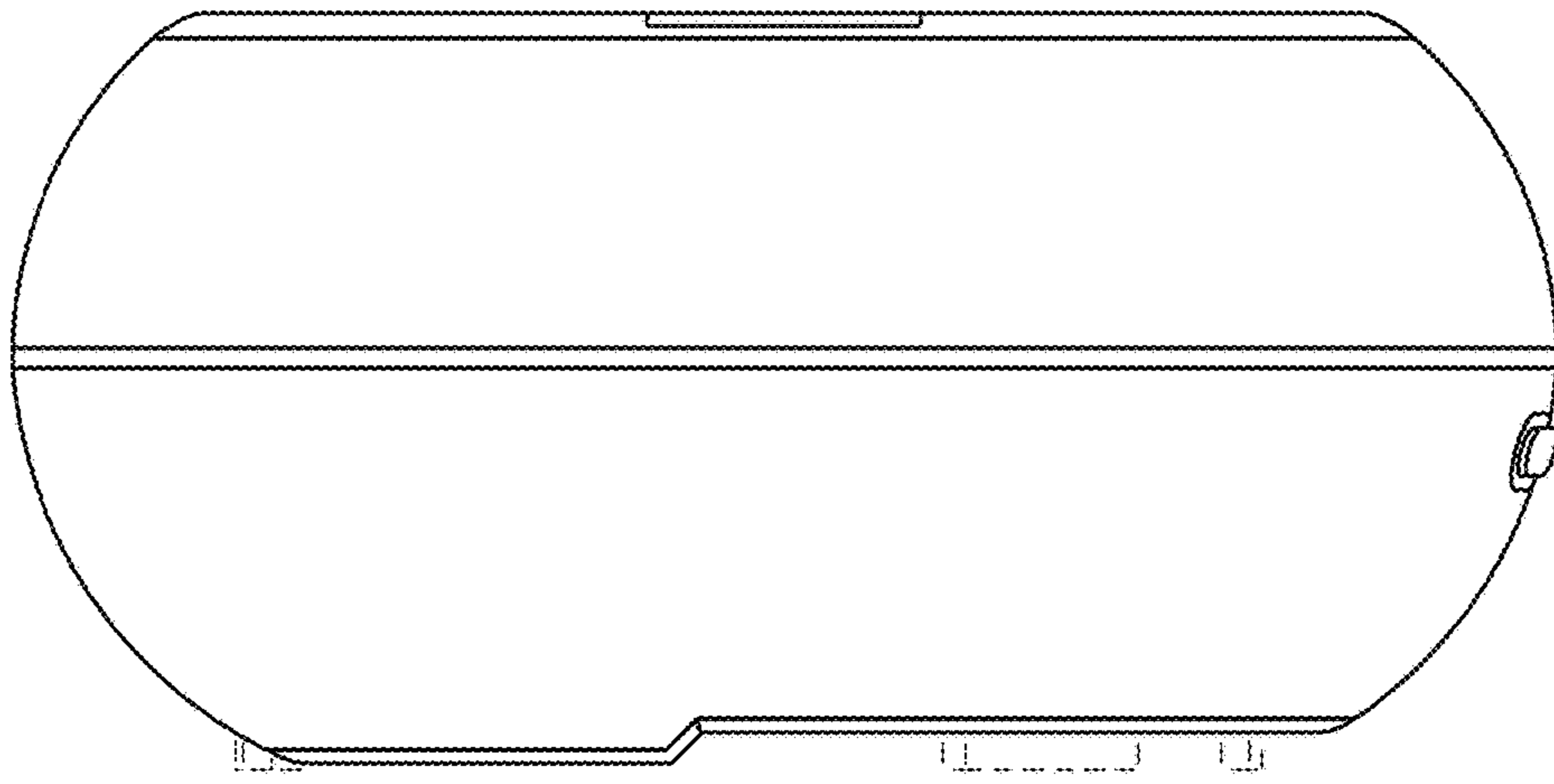


FIG. 5

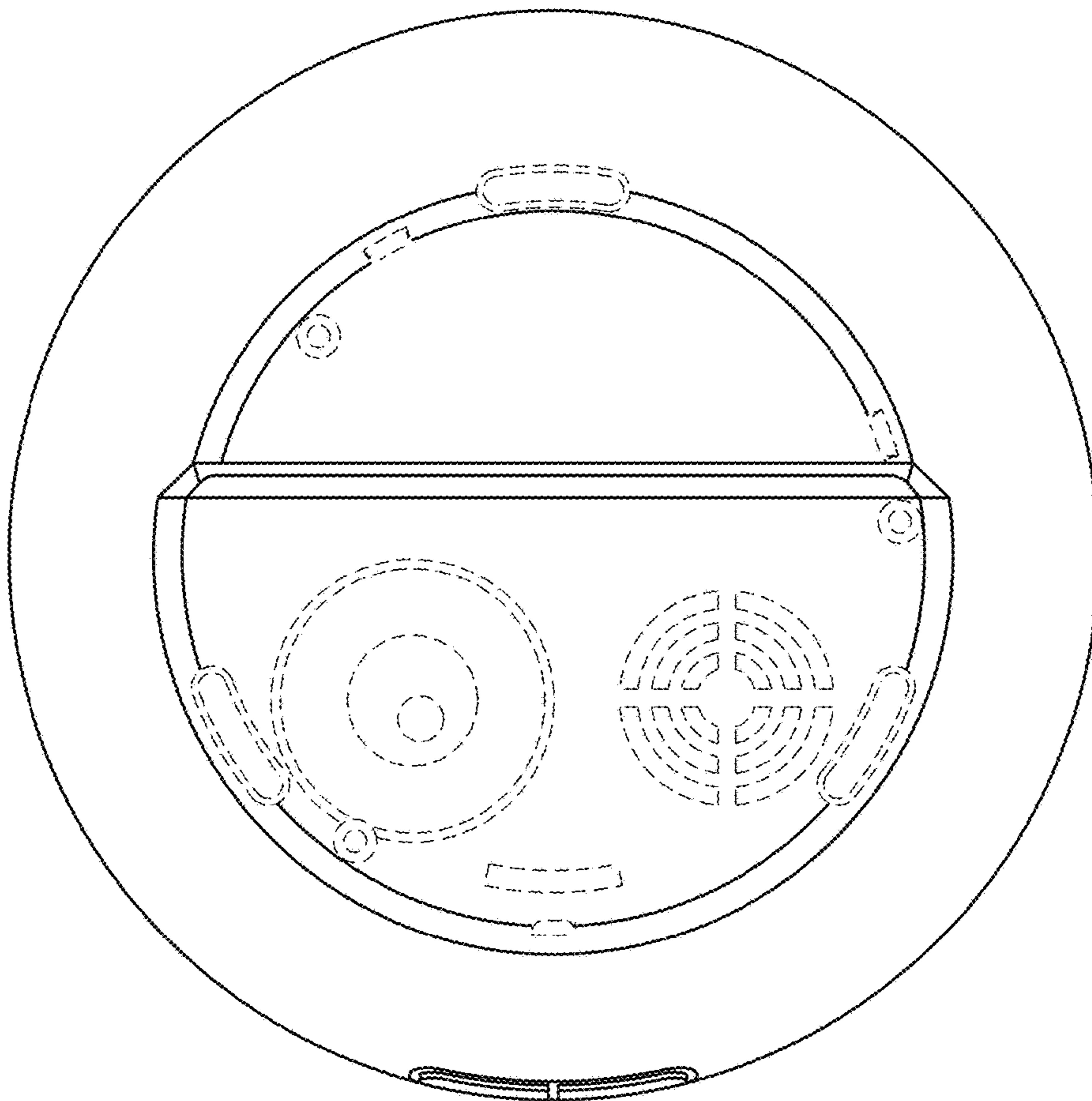


FIG. 6

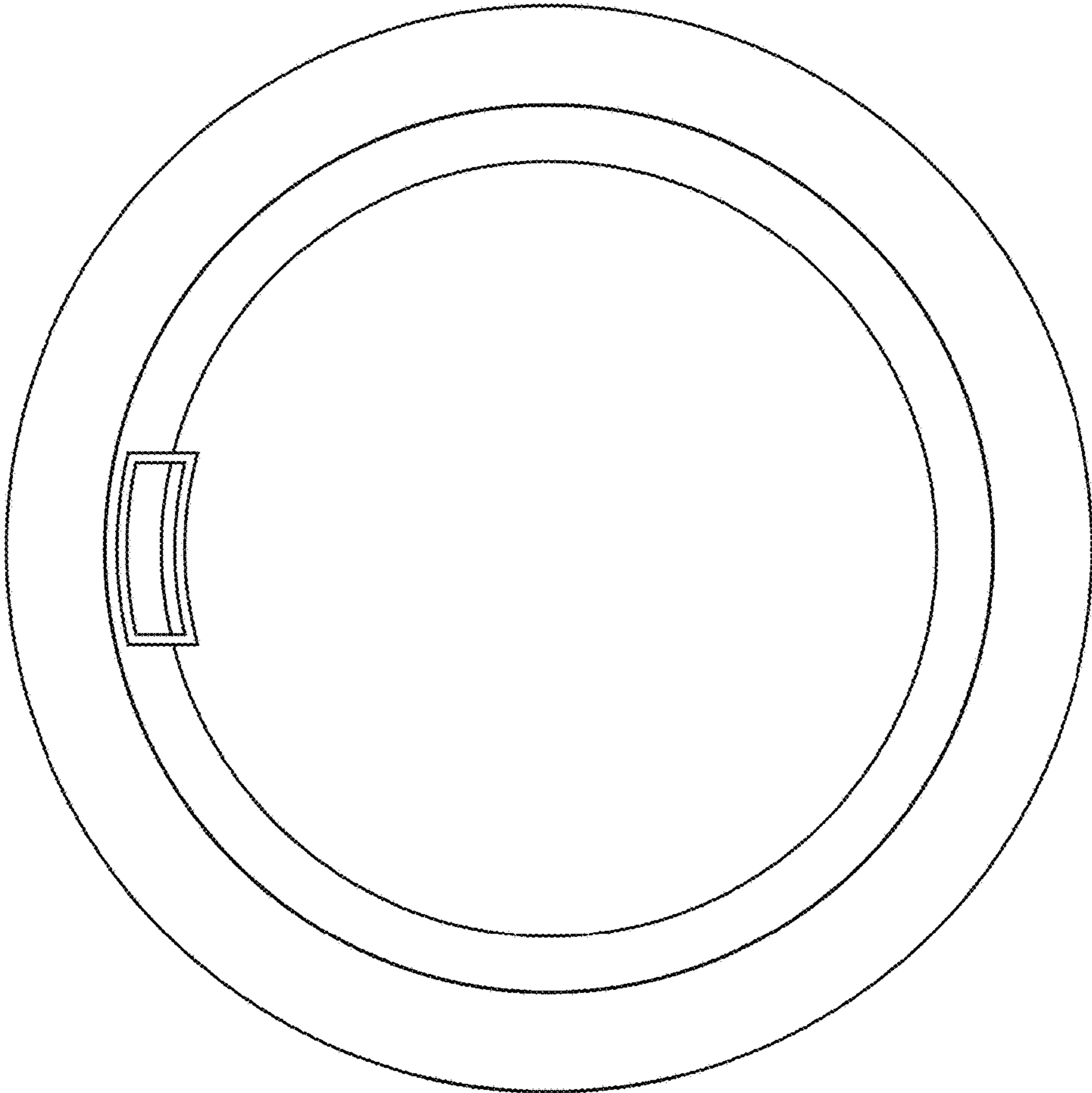


FIG. 7



US00D813366C1

(12) **EX PARTE REEXAMINATION CERTIFICATE** (11699th)
United States Patent
Tang

(10) **Number:** **US D813,366 C1**
(45) **Certificate Issued:** **Jul. 16, 2020**

- (54) **AROMA DIFFUSER**
- (71) Applicant: **Xiaolan Tang**, Fujian (CN)
- (72) Inventor: **Xiaolan Tang**, Fujian (CN)
- (73) Assignee: **Xiaolan Tang**, Fujian (CN)

- (52) **U.S. Cl.**
USPC **D23/366**
- (58) **Field of Classification Search**
USPC D23/314, 325, 333-336, 355-369,
D23/386-388; D6/314; D9/522, 549,
D9/566; D14/209, 215, 216; D20/43
CPC . A61L 9/03; A61L 9/012; A61L 9/015; A61L
9/037; F41J 1/01
See application file for complete search history.

Reexamination Request:
No. 90/014,179, Aug. 2, 2018

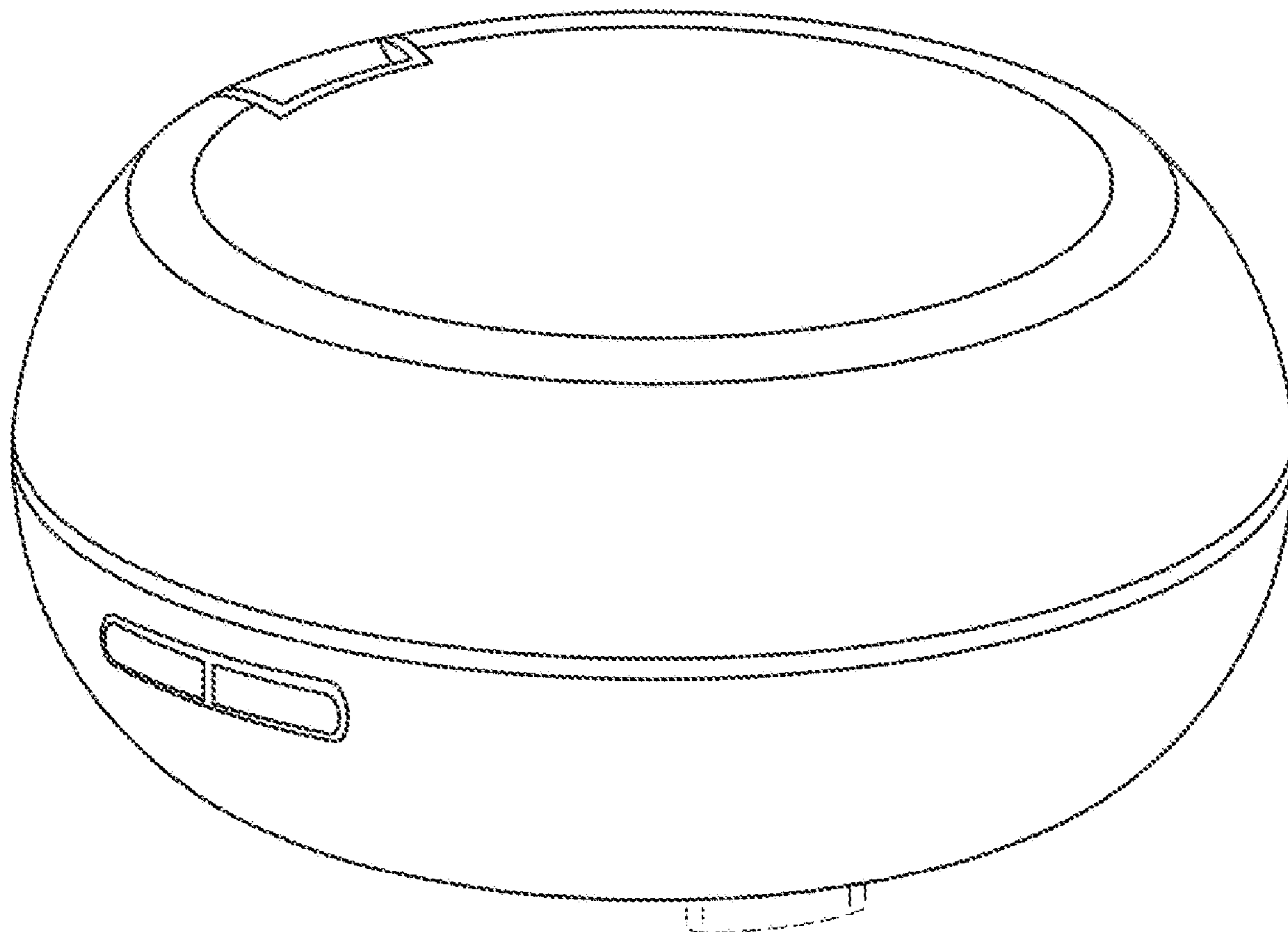
(56) **References Cited**

Reexamination Certificate for:
Patent No.: **Des. 813,366**
Issued: **Mar. 20, 2018**
Appl. No.: **29/582,497**
Filed: **Oct. 28, 2016**

To view the complete listing of prior art documents cited during the proceeding for Reexamination Control Number 90/014,179, please refer to the USPTO's public Patent Application Information Retrieval (PAIR) system under the Display References tab.

(51) **LOC (12) Cl.** **28-99**

Primary Examiner — Darlington Ly



1
EX PARTE
REEXAMINATION CERTIFICATE

THE PATENT IS HEREBY AMENDED AS 5
INDICATED BELOW.

AS A RESULT OF REEXAMINATION, IT HAS BEEN
DETERMINED THAT:

The claim 1 is cancelled. 10

* * * * *