



US00D813365S

(12) **United States Design Patent** (10) **Patent No.:** **US D813,365 S**
Alvise et al. (45) **Date of Patent:** **** Mar. 20, 2018**

(54) **EVAPORATOR ROUGH-IN BOX**
(71) Applicant: **POLAR INDUSTRIA DE PLASTICOS LTDA.**, Joinville SC (BR)
(72) Inventors: **Dalvir Alvise**, Joinville SC (BR); **Gerald S. Spanger**, Edison, NJ (US)
(73) Assignee: **POLAR INDUSTRIA DE PLASTICOS LTDA.**, Joinville SC (BR)

7,490,613 B2 2/2009 Iordan
7,905,236 B2 3/2011 Bryman et al.
D636,477 S 4/2011 Anderson et al.
D640,780 S * 6/2011 Warwick D23/366
D652,132 S * 1/2012 Orihara D23/366
D720,841 S 1/2015 Watanabe
D731,632 S 6/2015 Kulp et al.
D769,433 S 10/2016 Dingle et al.
D786,416 S * 5/2017 Alvise D23/359
D789,503 S * 6/2017 Alvise D23/359

(Continued)

(**) Term: **15 Years**

Feb. 28, 2017 Notice of Allowance issued in U.S. Appl. No. 29/552,437.

(21) Appl. No.: **29/590,786**

(Continued)

(22) Filed: **Jan. 13, 2017**

Primary Examiner — George D. Kirschbaum

(51) **LOC (11) Cl.** **23-04**

Assistant Examiner — Natasha Vujcic

(52) **U.S. Cl.**
USPC **D23/359**

(74) *Attorney, Agent, or Firm* — Oliff PLC

(58) **Field of Classification Search**
USPC D23/333, 335, 341, 342, 351, 353, 354, D23/355, 356, 359, 364, 365, 370, 385, D23/386, 388, 393

(57) **CLAIM**

The ornamental design for an evaporator rough-in box, as shown and described.

CPC F24F 1/00; F24F 1/0007; F24F 1/02; F24F 1/08; F24F 1/42; F24F 1/56; F24F 1/60; F24F 3/044; F24F 3/048; F24F 3/16; F24F 7/00; F24F 7/04; F24F 12/001; F24F 12/006

DESCRIPTION

See application file for complete search history.

FIG. 1 is a front, top, left-side perspective view of the evaporator rough-in box;
FIG. 2 is a front elevational view thereof;
FIG. 3 is a top plan view thereof;
FIG. 4 is a right-side elevational view thereof;
FIG. 5 is a left-side elevational view thereof;
FIG. 6 is a rear elevational view thereof;
FIG. 7 is a bottom plan view thereof; and,
FIG. 8 is a front, top, left-side perspective view similar to FIG. 1, but showing one of the brackets in an extended configuration.

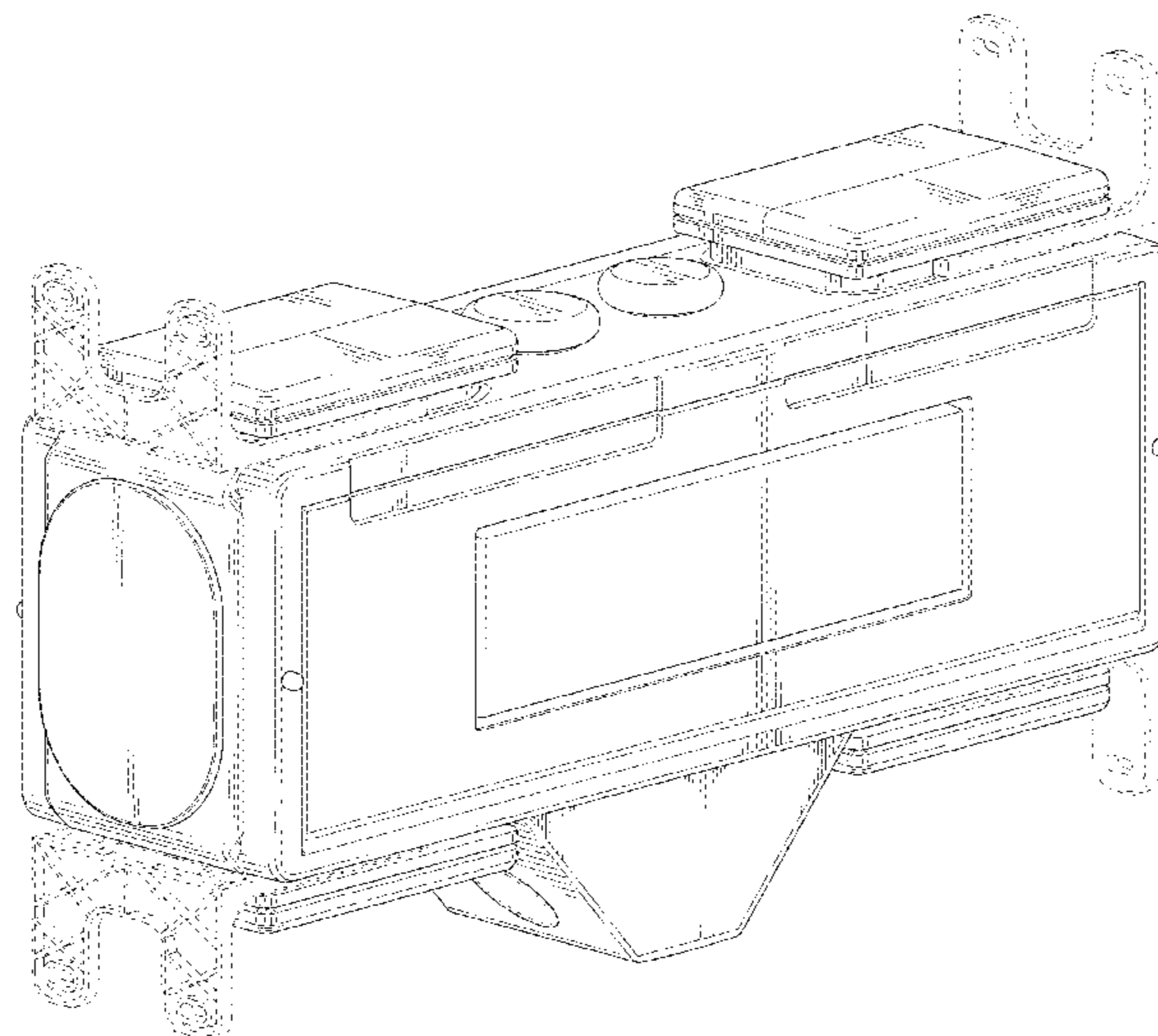
The broken lines depict environmental subject matter only and form no part of the claimed design.

(56) **References Cited**

U.S. PATENT DOCUMENTS

D244,856 S 6/1977 Haufe et al.
D258,758 S * 3/1981 Johnson D23/364
D267,115 S * 11/1982 Locker D23/377
D287,275 S * 12/1986 Uchida D23/356
D309,656 S 7/1990 Lee
D312,303 S 11/1990 Gustavsson
D536,079 S * 1/2007 Leon D23/323
D539,405 S * 3/2007 Jung D23/351

1 Claim, 7 Drawing Sheets



(56)

References Cited

U.S. PATENT DOCUMENTS

D801,501 S * 10/2017 Andrews D23/355
2017/0211842 A1 * 7/2017 Alvisé F24F 13/222
2017/0254560 A1 * 9/2017 Alvisé F24F 13/222

OTHER PUBLICATIONS

Mar. 1, 2017 Notice of Allowance issued in U.S. Appl. No.
29/552,419.

* cited by examiner

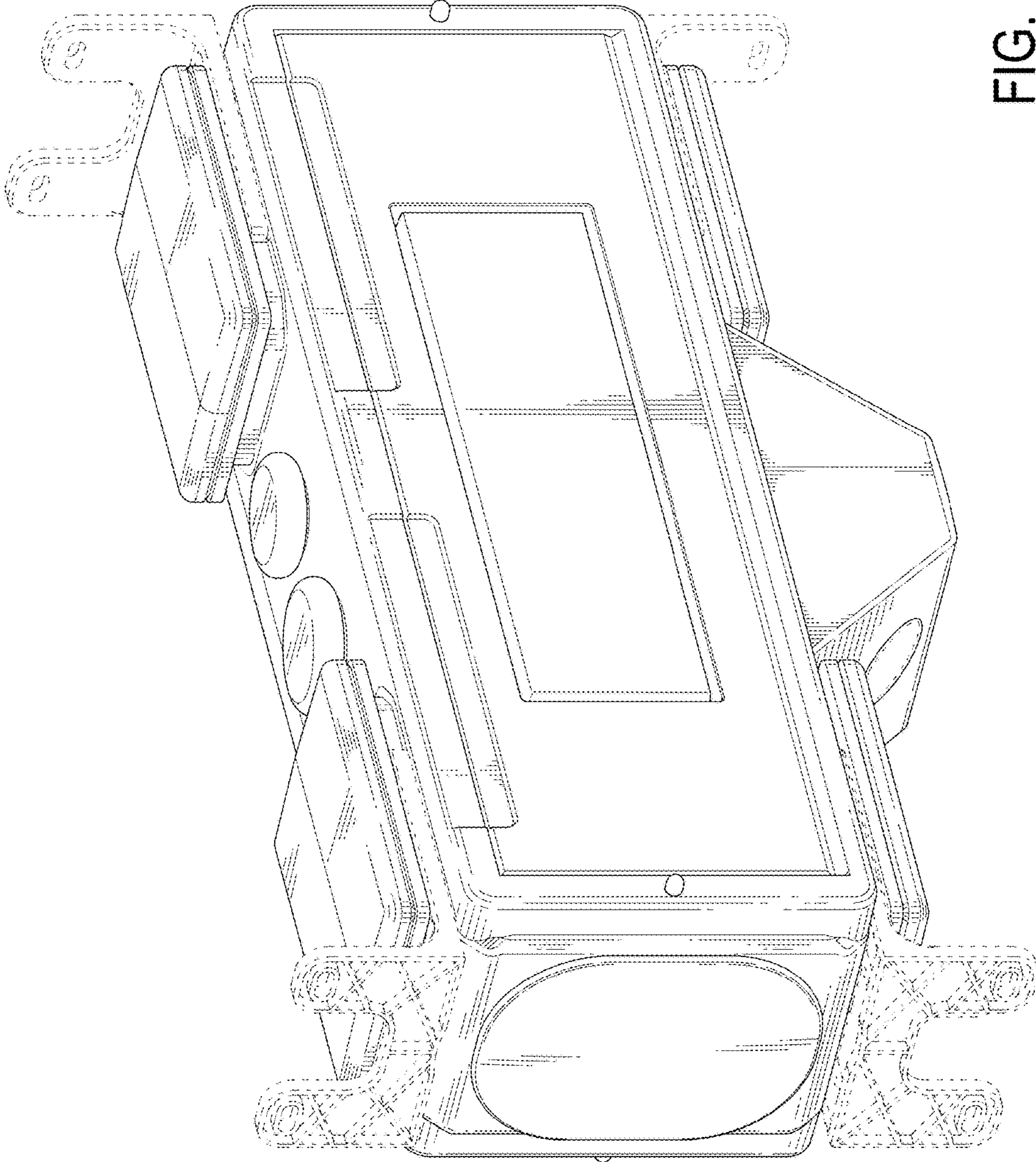


FIG. 1

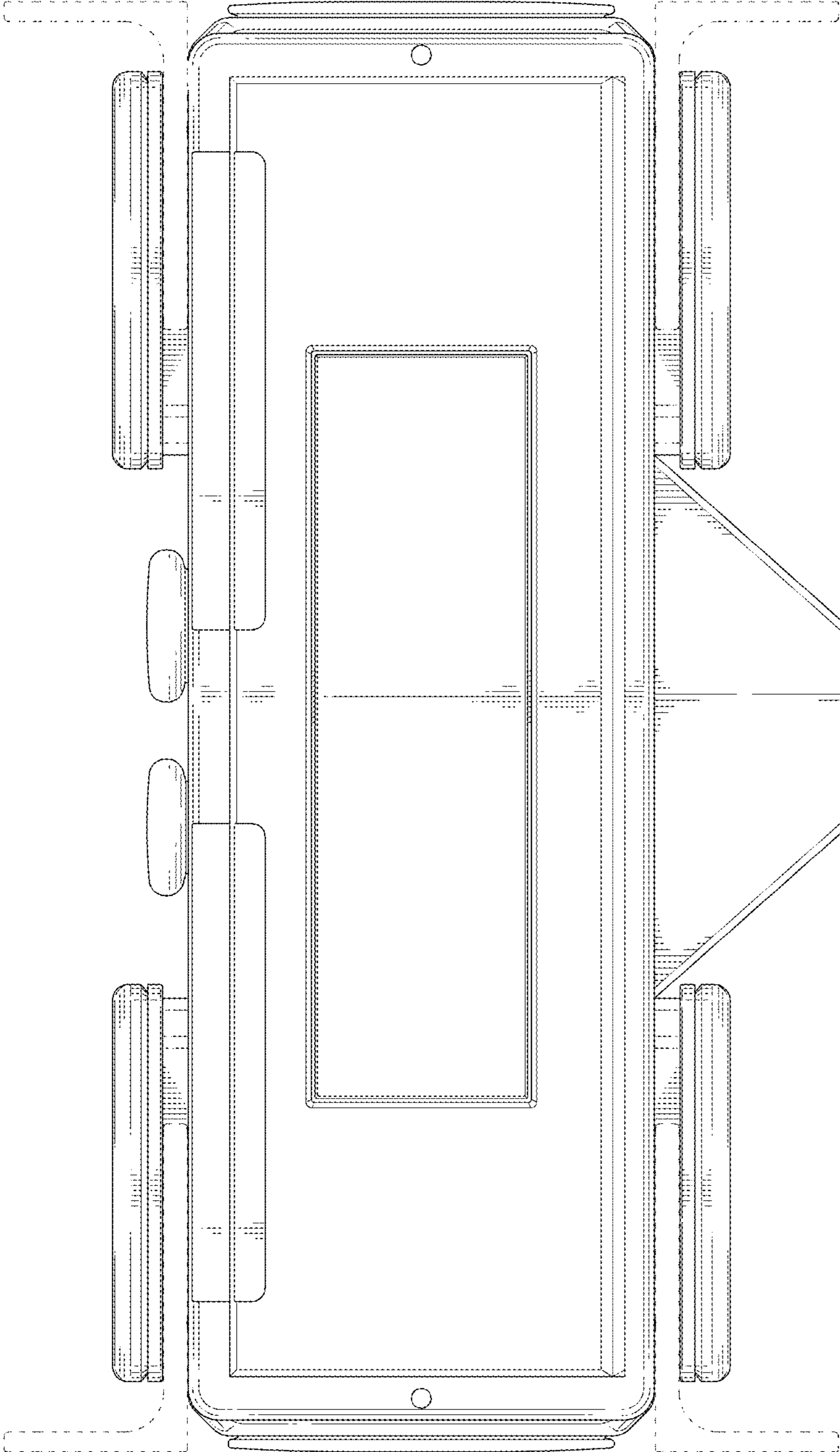


FIG. 2

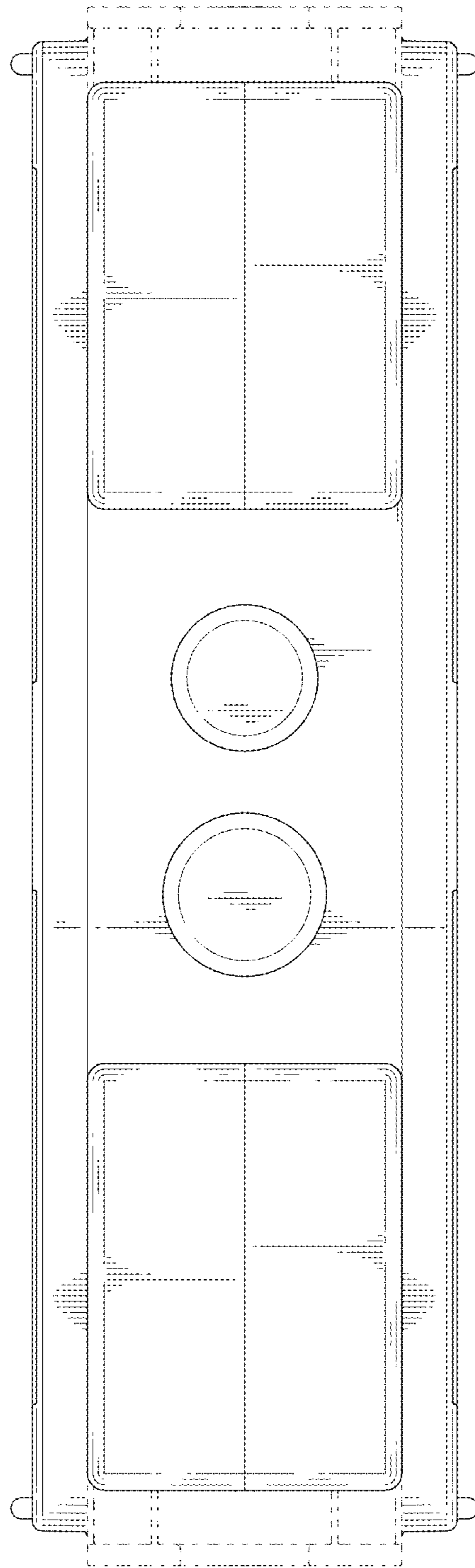


FIG. 3

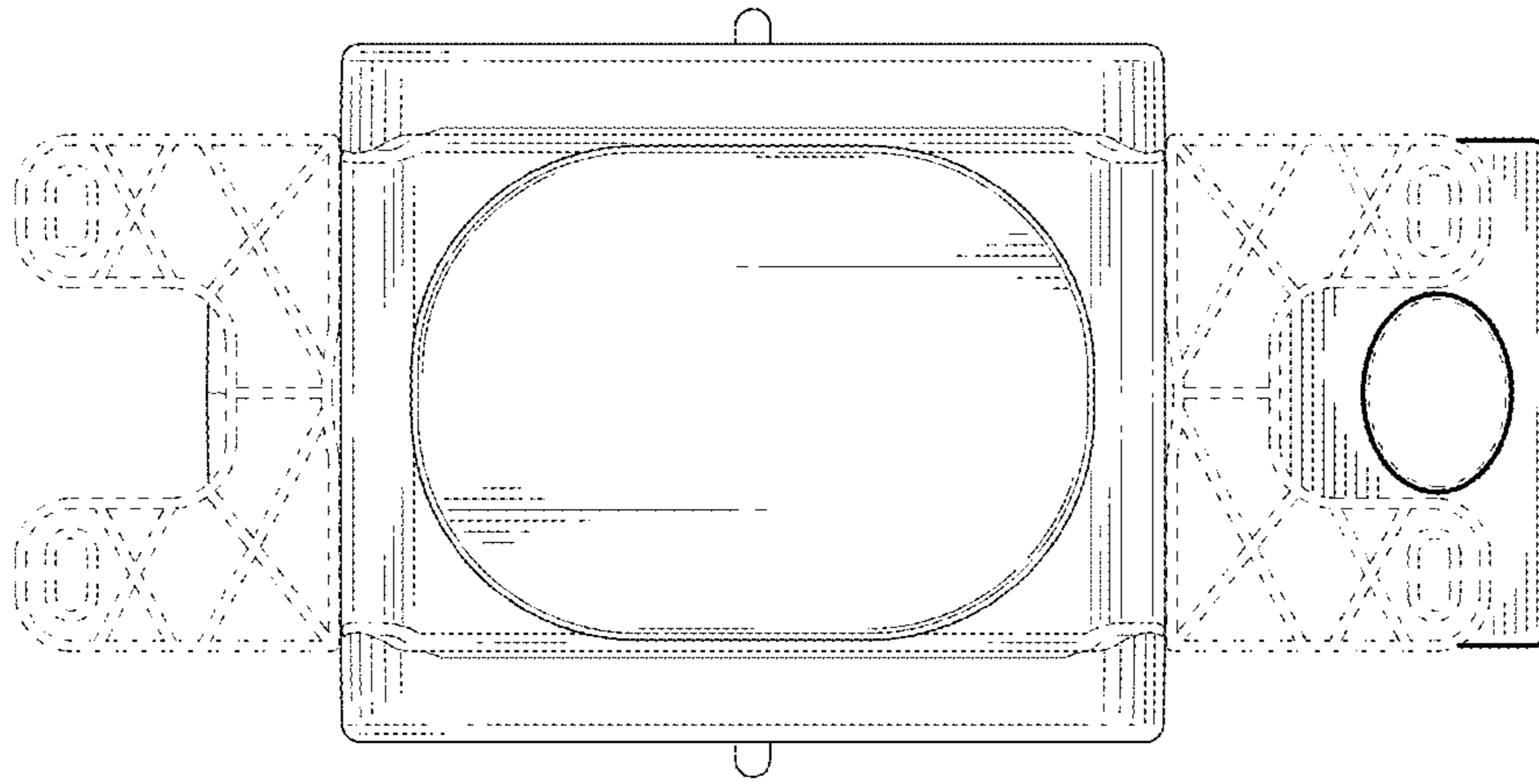


FIG. 5

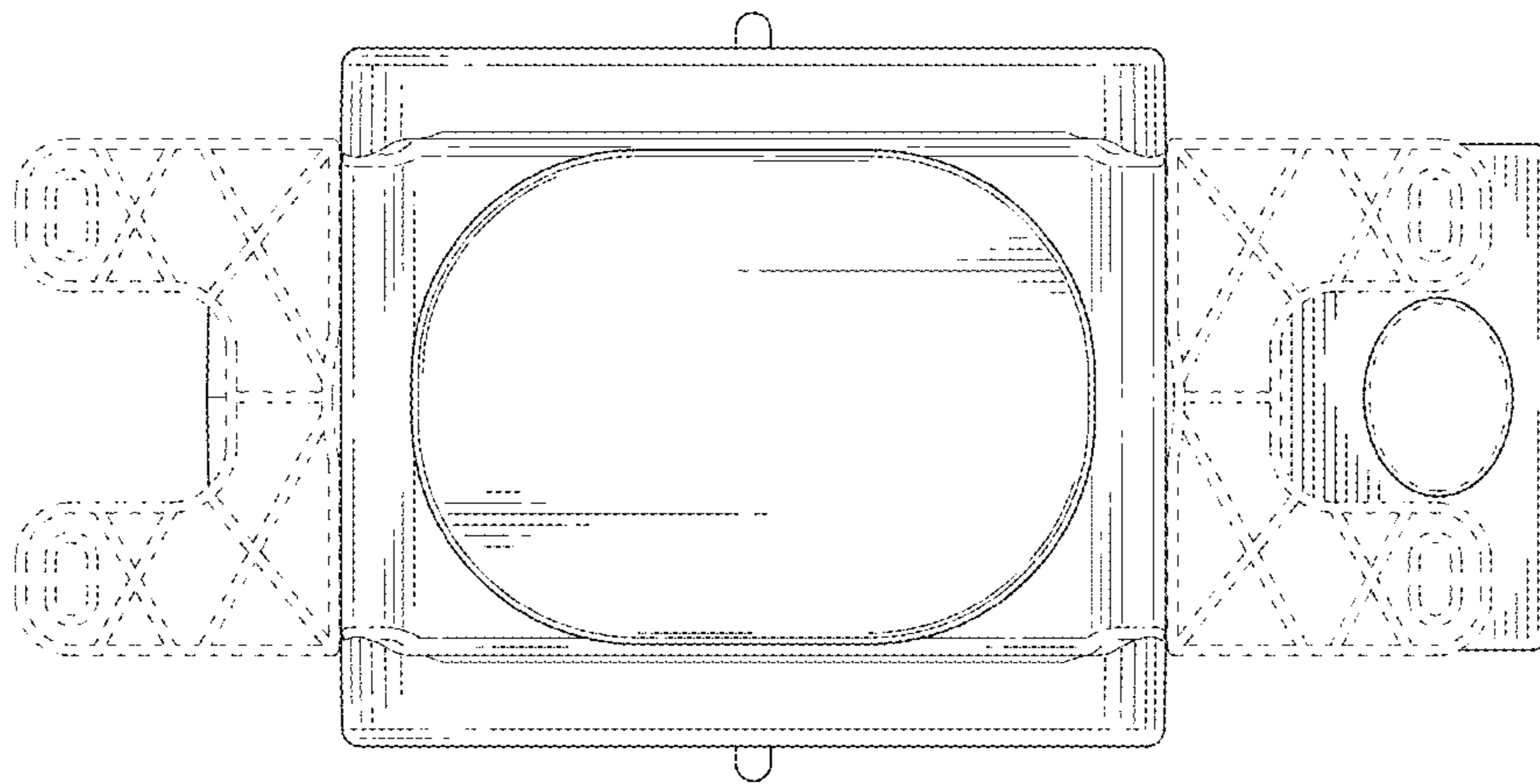


FIG. 4

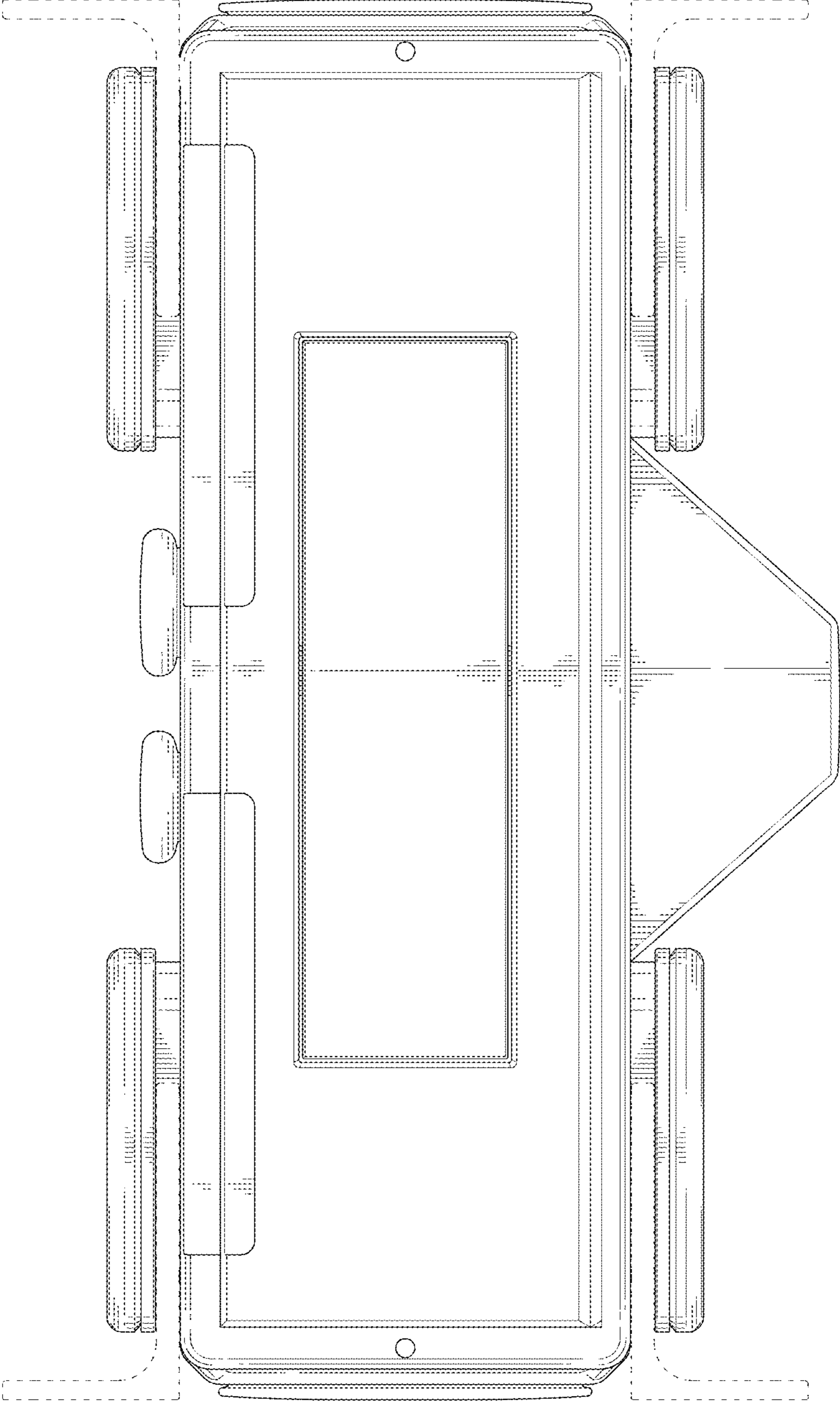


FIG. 6

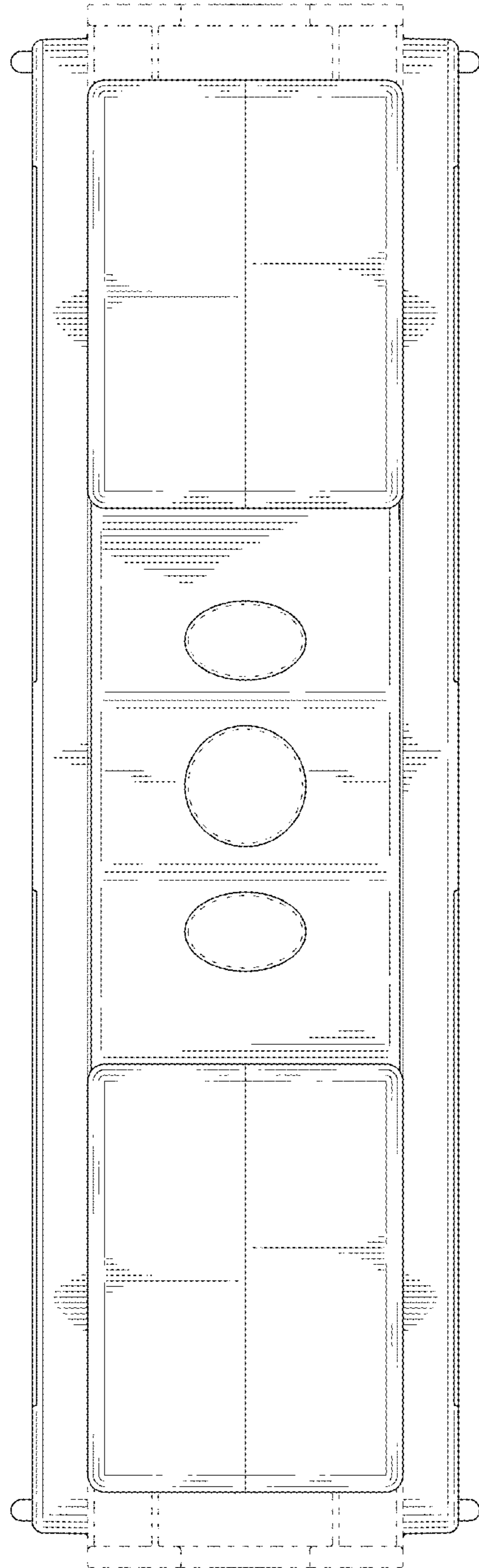


FIG. 7

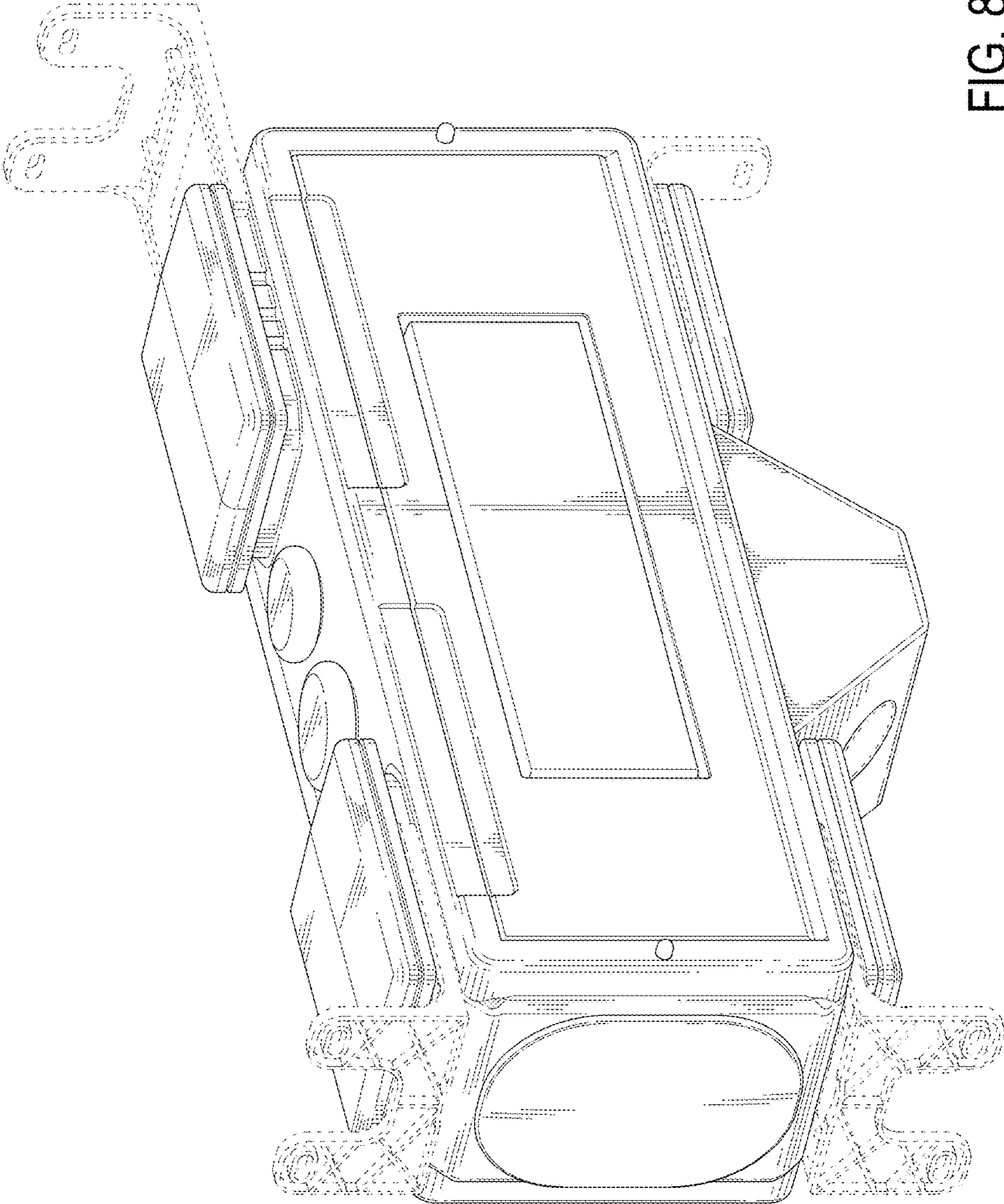


FIG. 8