



US00D813363S

(12) **United States Design Patent**
Wegener et al.

(10) **Patent No.:** **US D813,363 S**
(45) **Date of Patent:** **** Mar. 20, 2018**

(54) **HEATER**
(71) Applicant: **Webasto SE**, Stockdorf (DE)
(72) Inventors: **Fritz Wegener**, Stockdorf (DE); **Daniel Eckert**, Stockdorf (DE); **Stephan Buckl**, Stockdorf (DE); **Andreas Janker**, Stockdorf (DE); **Hans Rechberger**, Stockdorf (DE); **Christoph Cap**, Stockdorf (DE); **Karl Göttl**, Stockdorf (DE)

(73) Assignee: **WEBASTON SE**, Stockdorf (DE)
(**) Term: **15 Years**

(21) Appl. No.: **29/534,599**

(22) Filed: **Jul. 30, 2015**

(51) **LOC (11) Cl.** **12-16**

(52) **U.S. Cl.**
USPC **D23/324**

(58) **Field of Classification Search**
USPC D23/314, 324, 322, 323
CPC .. B60H 1/2218; B60H 1/2221; B60H 1/2225;
H05B 1/0236; H05B 3/262; F24H 1/009;
F24H 1/142; F24H 9/0015; F24H 9/2028;
F28F 3/12; F28F 13/12
See application file for complete search history.

(56) **References Cited**

U.S. PATENT DOCUMENTS

5,841,634 A * 11/1998 Visser F28F 3/12
165/104.33
D501,918 S * 2/2005 Scott D23/321
D502,539 S * 3/2005 Ashbaugh D23/321
2005/0019028 A1 * 1/2005 Kuebler F24H 9/2028
392/484
2009/0038592 A1 * 2/2009 Navalon Carretero F02M 31/13
123/543

2011/0188204 A1* 8/2011 Horiuchi H01L 23/473
361/702
2011/0308394 A1* 12/2011 Kim F02M 25/0836
96/146
2012/0193339 A1* 8/2012 Adachi B60H 1/2221
219/202

(Continued)

Primary Examiner — T. Chase Nelson
Assistant Examiner — Ania Aman
(74) *Attorney, Agent, or Firm* — Fitch, Even, Tabin & Flannery LLP

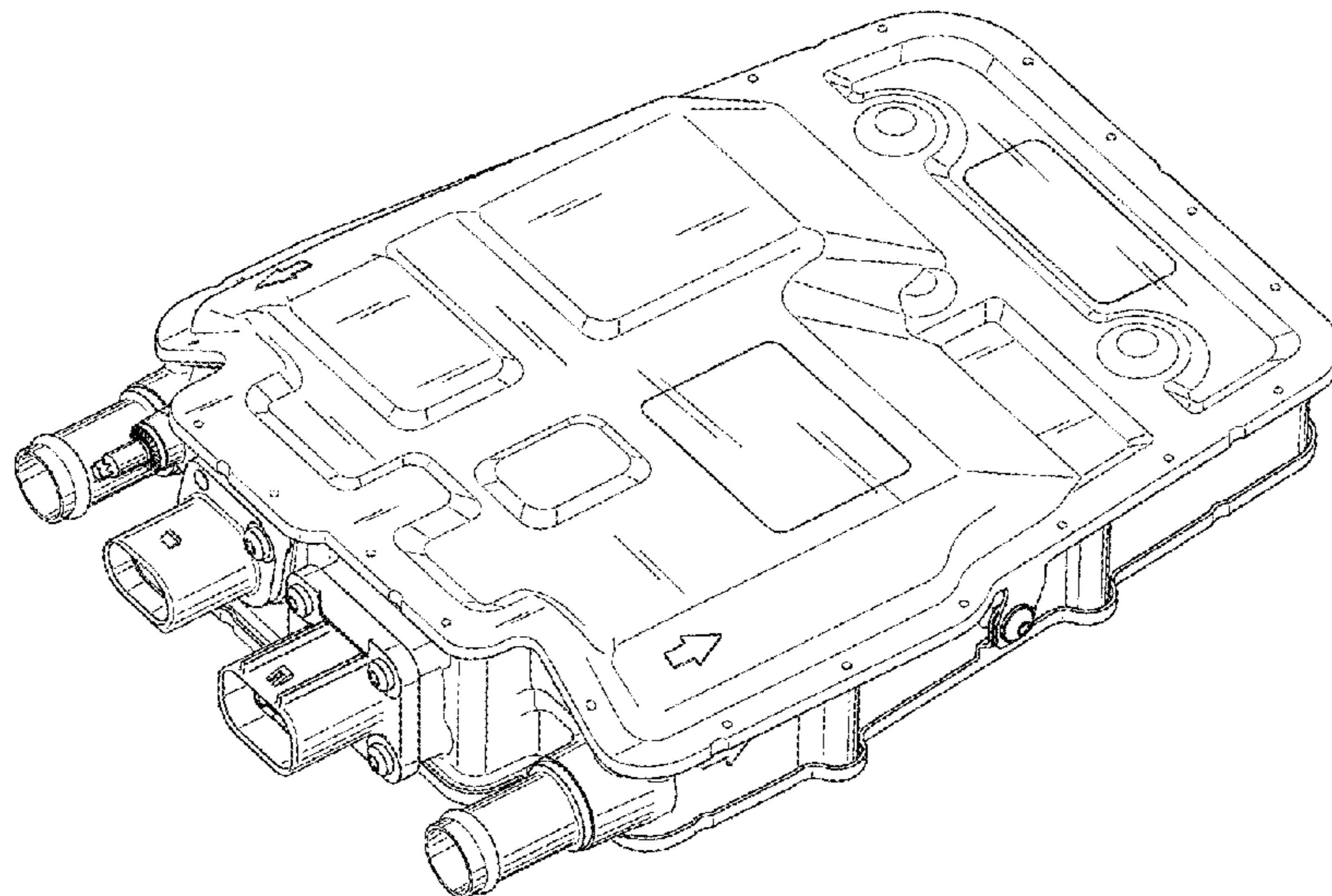
(57) **CLAIM**

The ornamental design for a heater, as shown and described.

DESCRIPTION

FIG. 1 is a top left perspective view of a first embodiment of a heater showing our new design;
FIG. 2 is a top plan view of the heater of FIG. 1;
FIG. 3 is a bottom plan view of the heater of FIG. 1;
FIG. 4 is a front elevational view of the heater of FIG. 1;
FIG. 5 is a rear elevational view of the heater of FIG. 1;
FIG. 6 is a right side elevational view of the heater of FIG. 1;
FIG. 7 is a left side elevational view of the heater of FIG. 1;
FIG. 8 is a top left perspective view of a second embodiment of a heater showing our new design;
FIG. 9 is a top plan view of the heater of FIG. 8;
FIG. 10 is a bottom plan view of the heater of FIG. 8;
FIG. 11 is a front elevational view of the heater of FIG. 8;
FIG. 12 is a rear elevational view of the heater of FIG. 8;
FIG. 13 is a right side elevational view of the heater of FIG. 8; and,
FIG. 14 is a left side elevational view of the heater of FIG. 8.
The broken lines shown in the views depict environmental subject matter only and form no part of the claimed design.

1 Claim, 12 Drawing Sheets



(56)

References Cited

U.S. PATENT DOCUMENTS

2012/0325447 A1* 12/2012 You F28F 3/048
165/170
2013/0192796 A1* 8/2013 Kominami F28D 1/00
165/104.19
2015/0034626 A1* 2/2015 Kominami H05B 1/0236
219/483
2015/0090802 A1* 4/2015 Eckert F24H 1/009
237/12
2015/0110479 A1* 4/2015 Wu F24H 9/2028
392/490
2016/0195341 A1* 7/2016 Kominami F24H 1/009
165/293
2016/0360572 A1* 12/2016 Bohlender H05B 1/0236

* cited by examiner

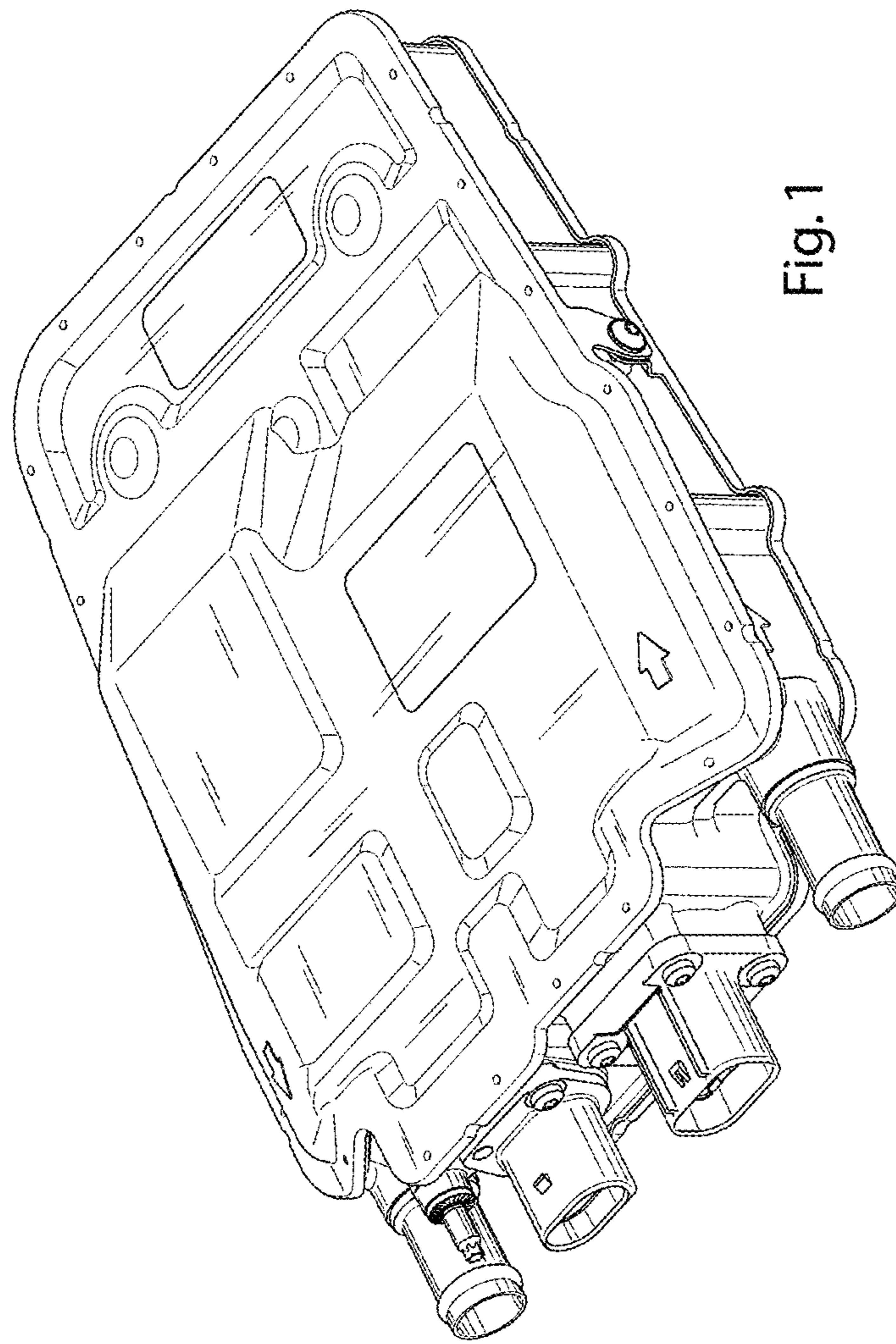


Fig. 1

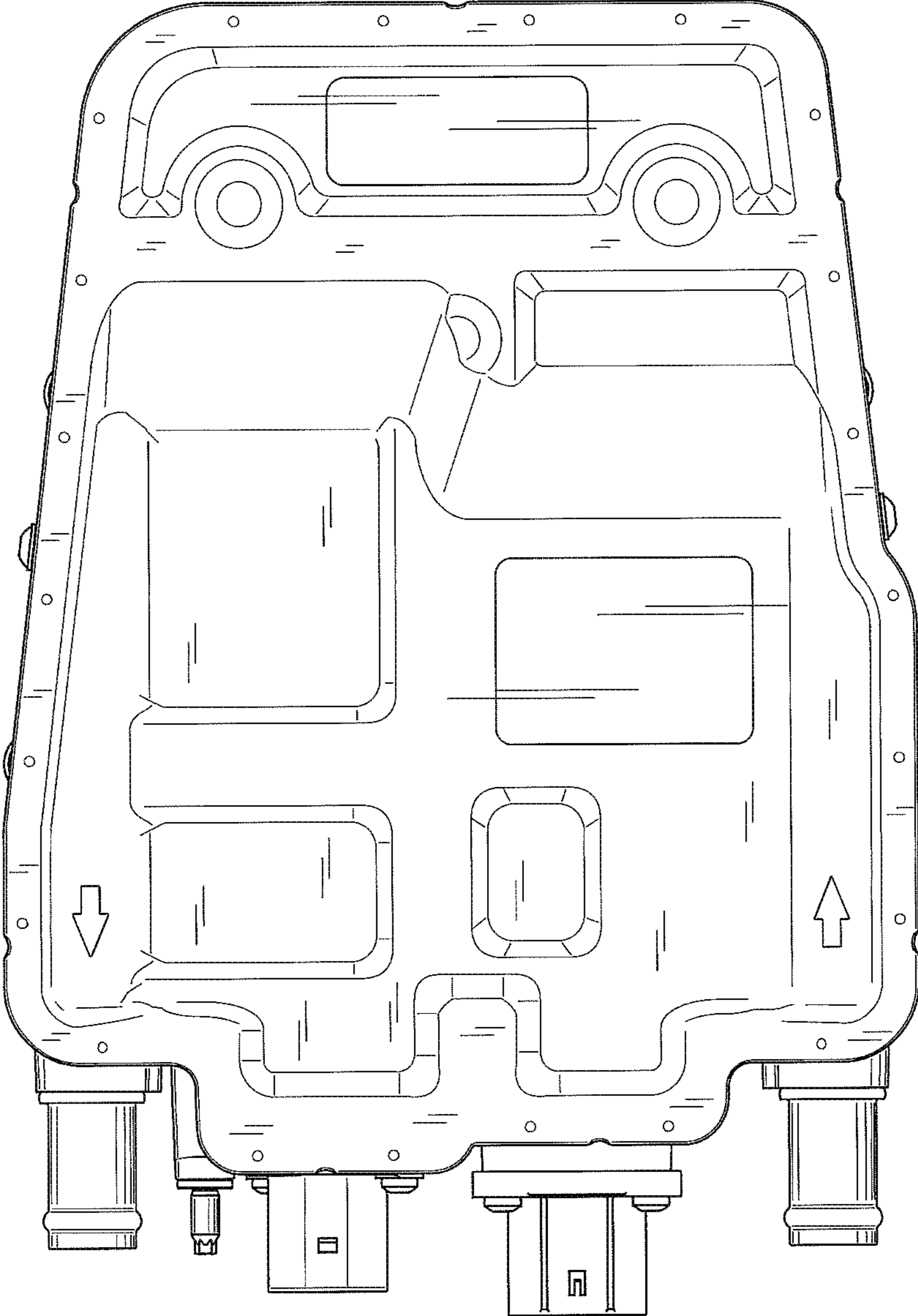


Fig. 2

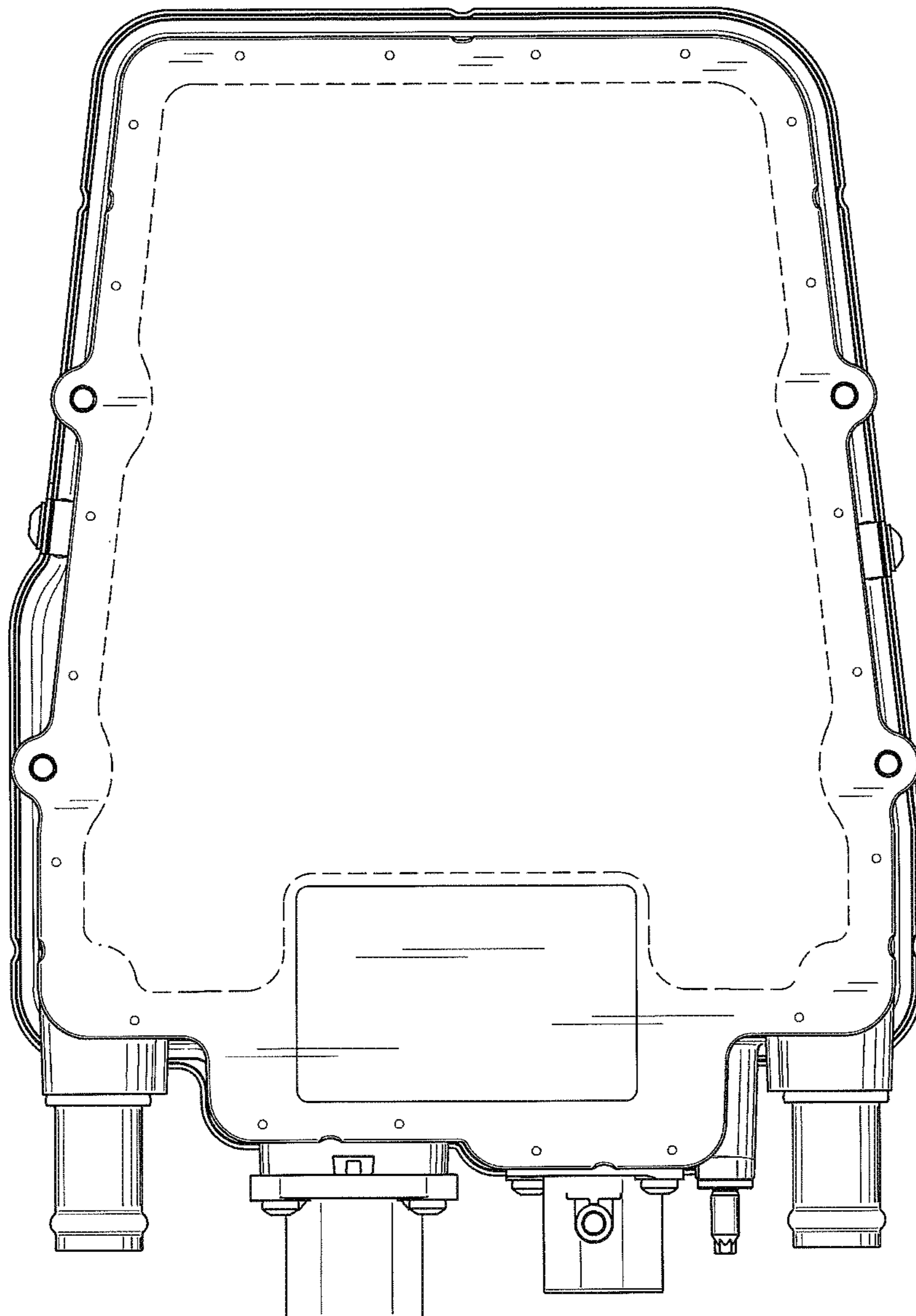


Fig. 3

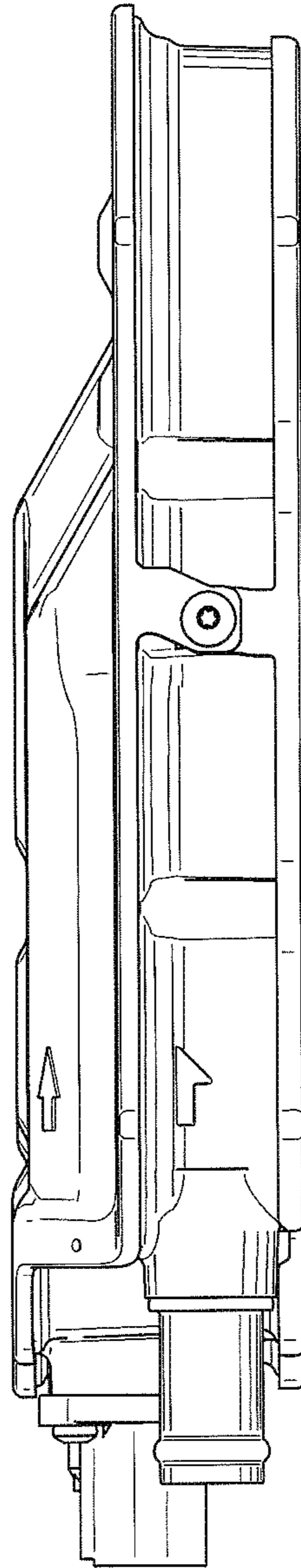


Fig. 4

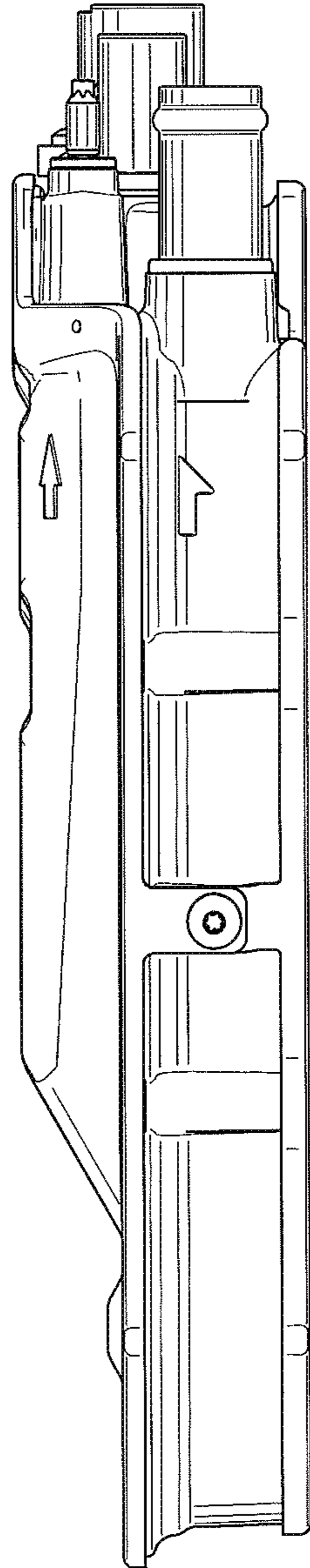


Fig. 5

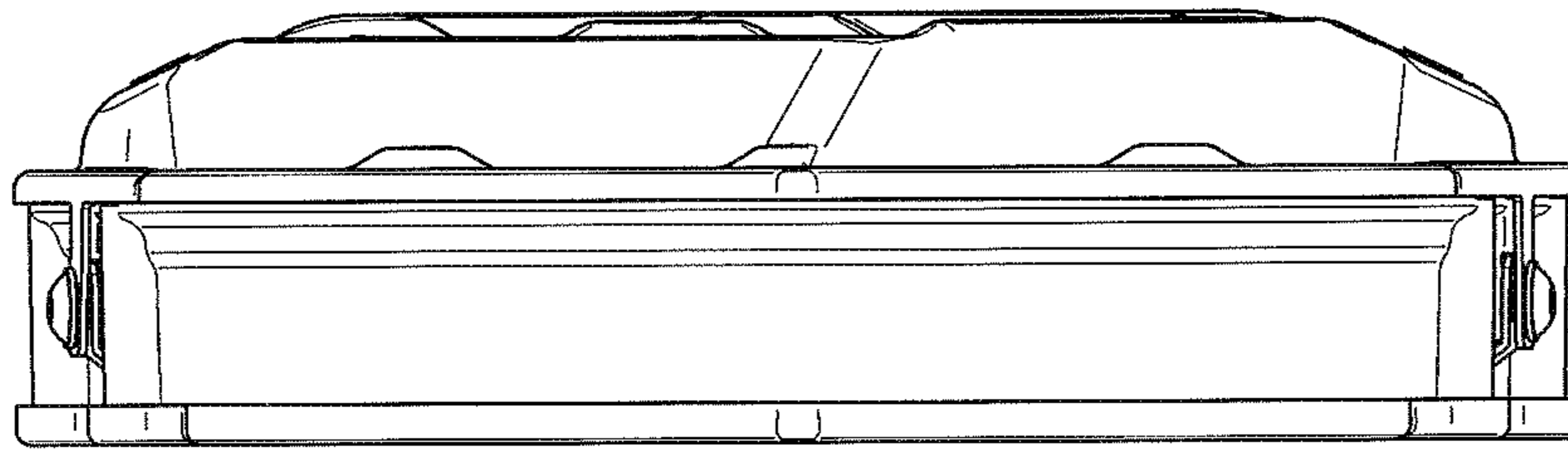


Fig. 6

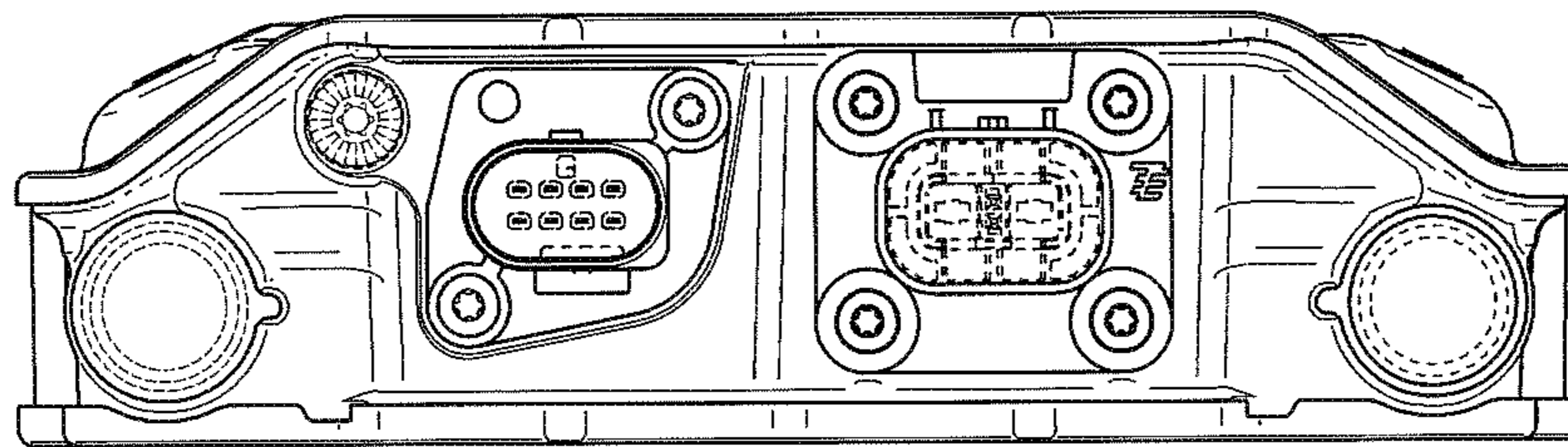


Fig. 7

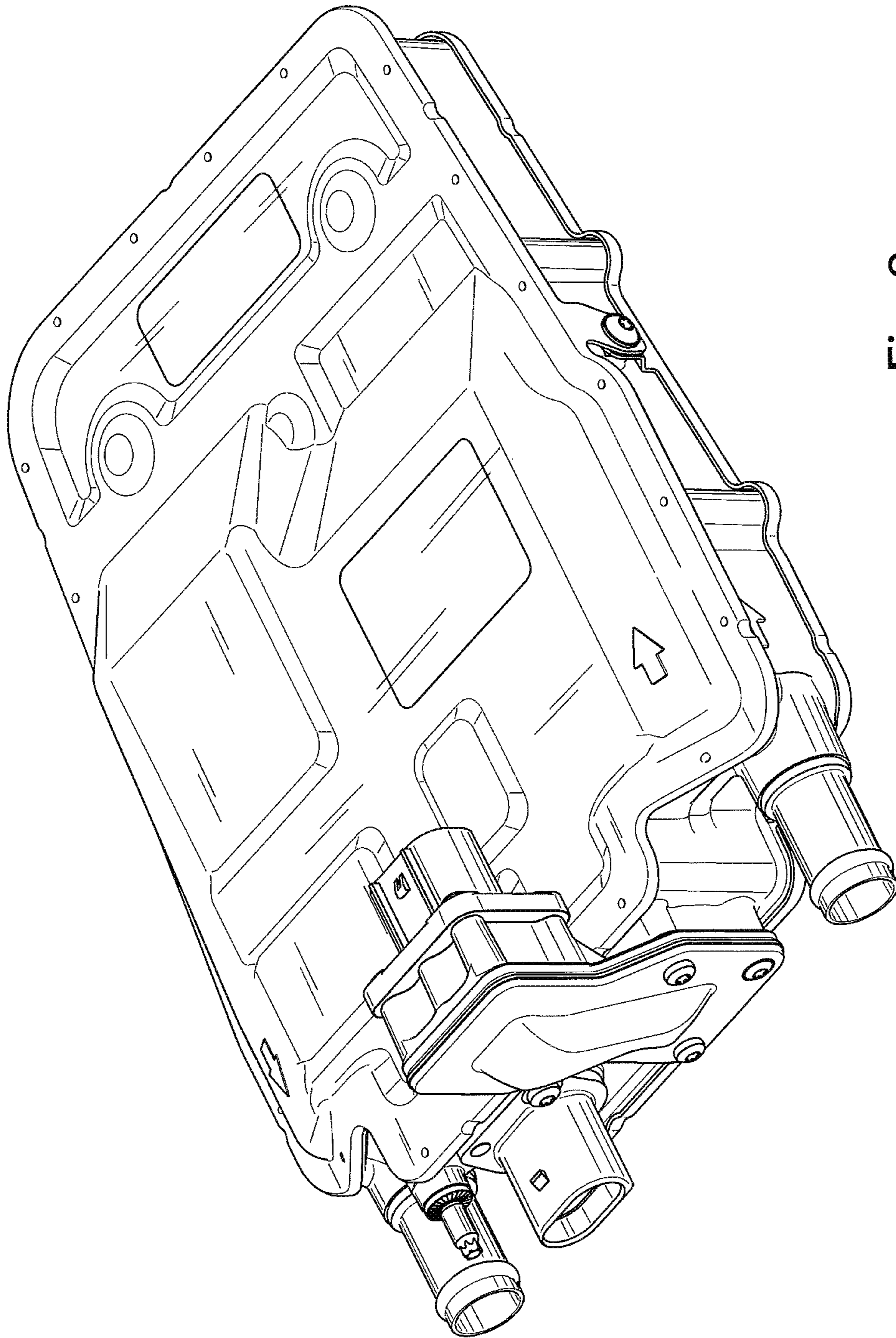


Fig. 8

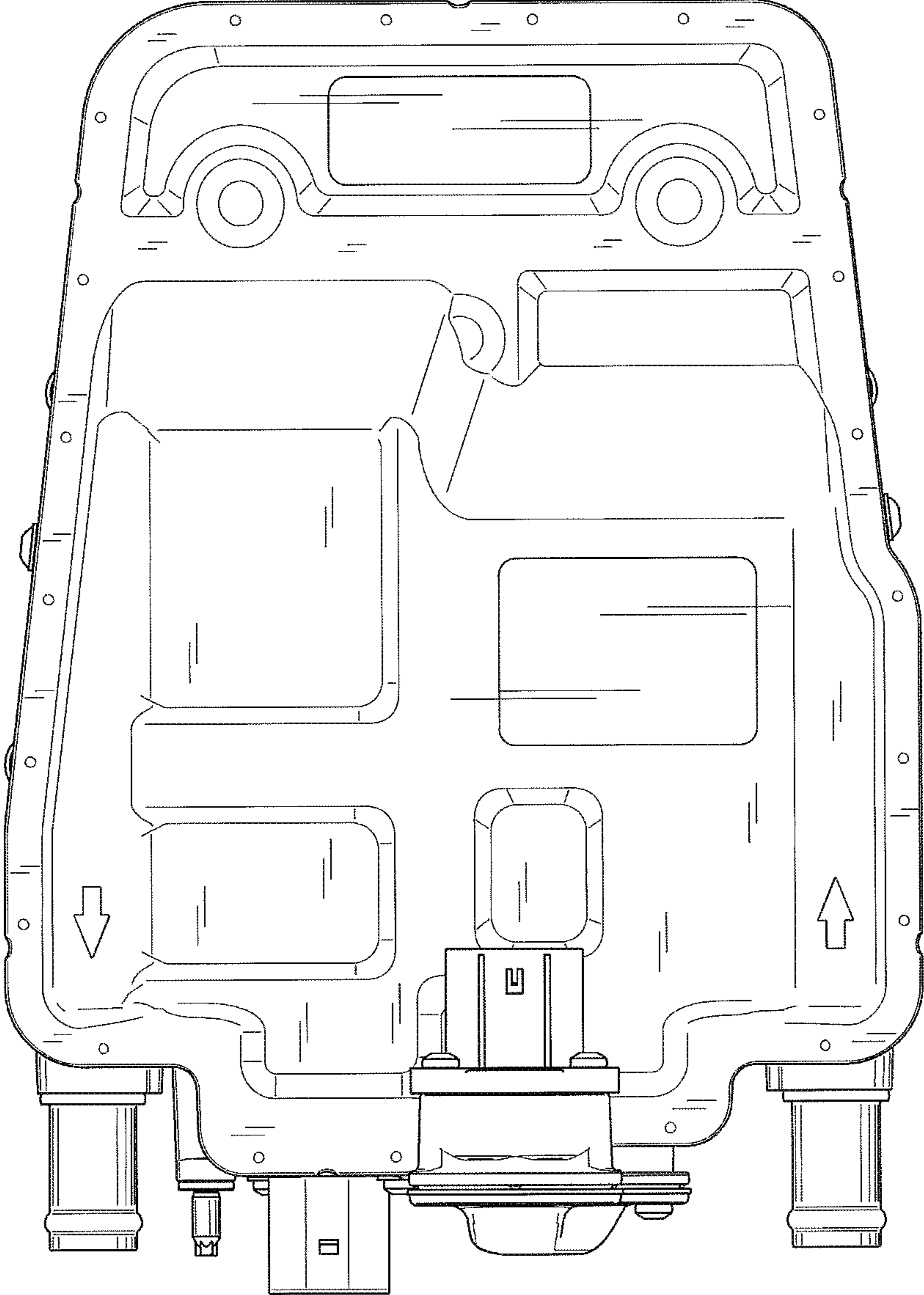


Fig. 9

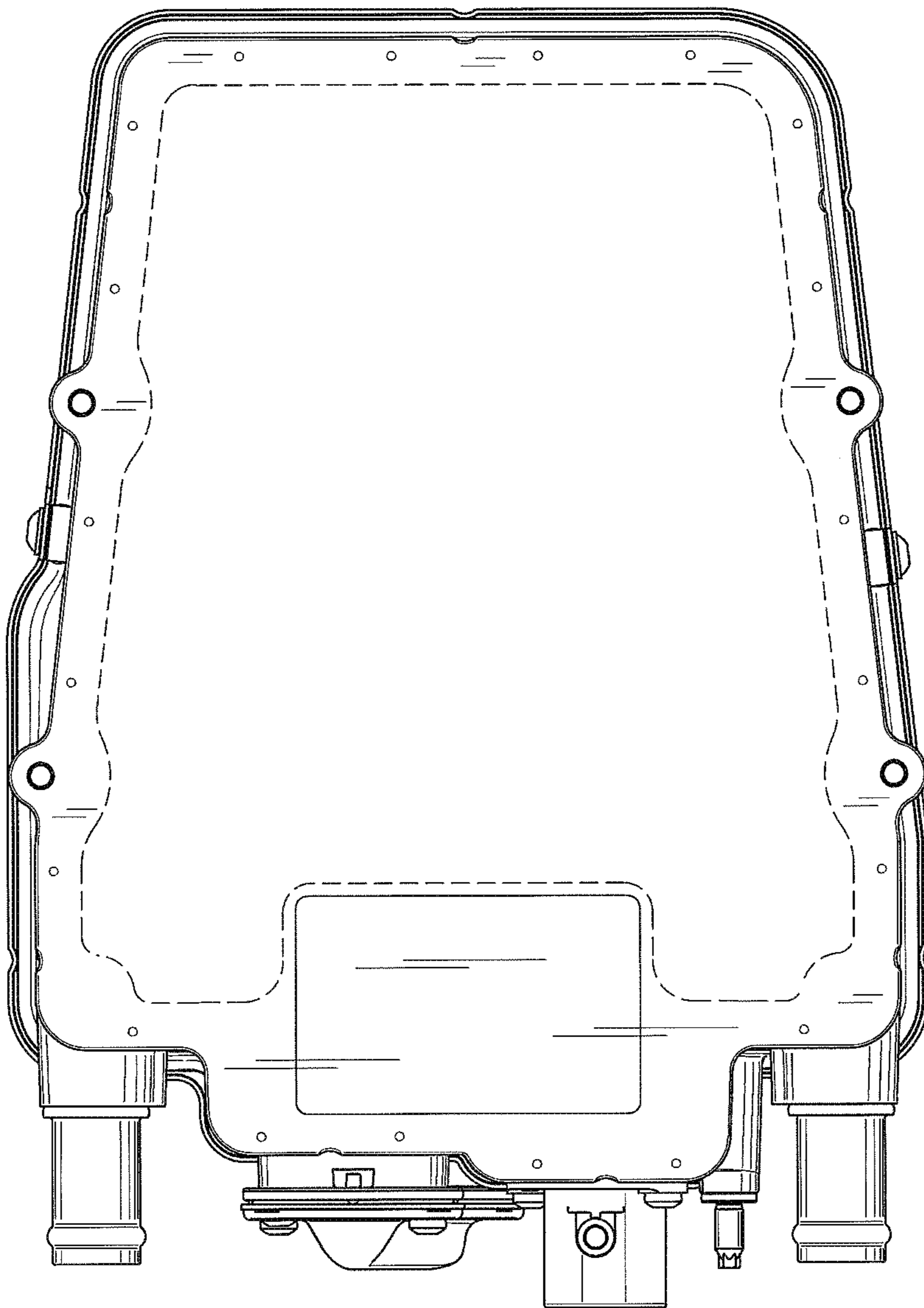


Fig. 10

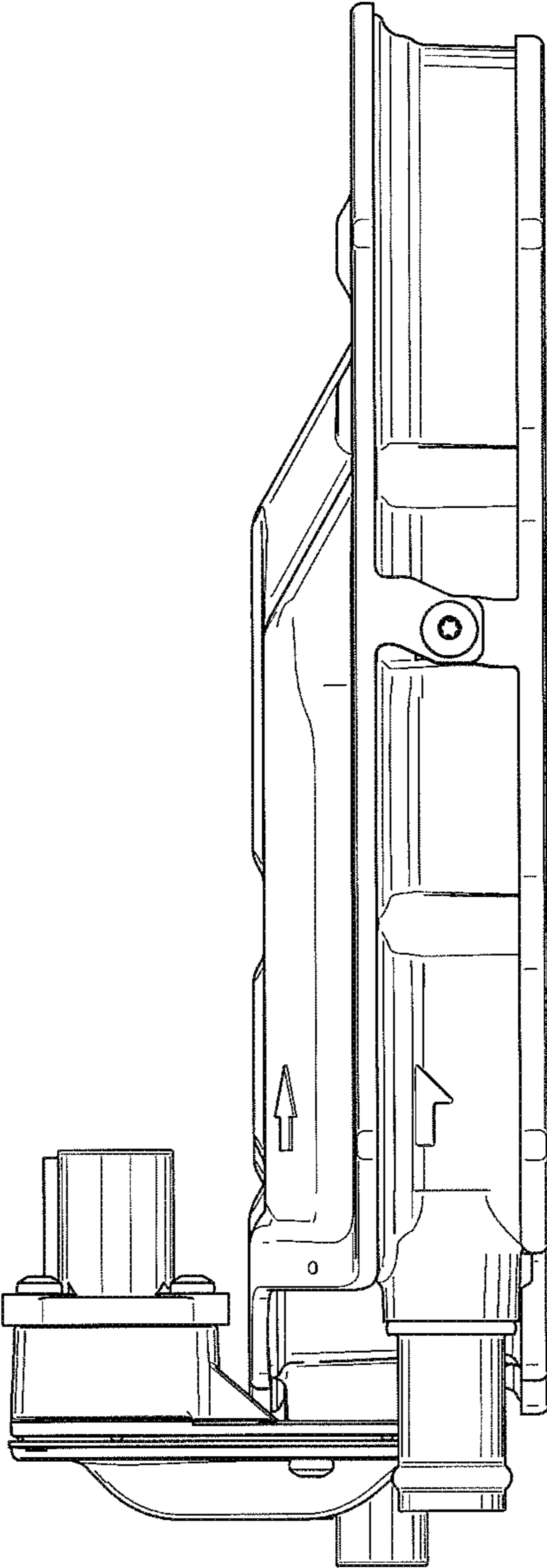


Fig. 11

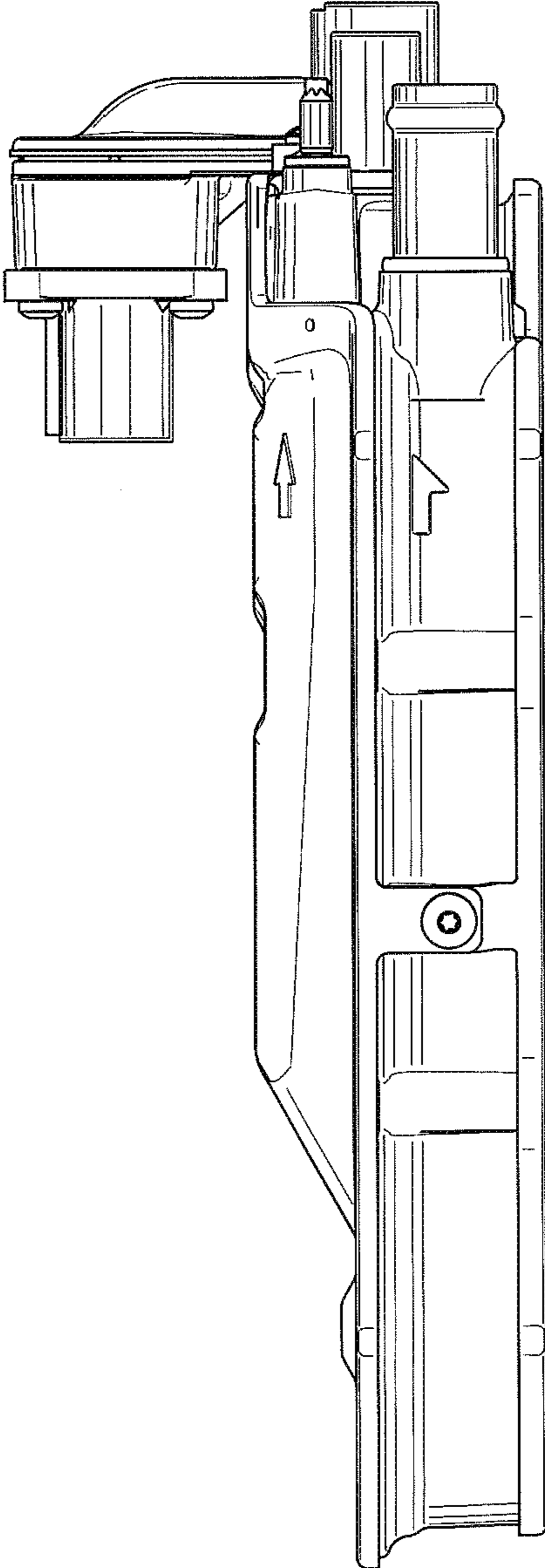


Fig. 12

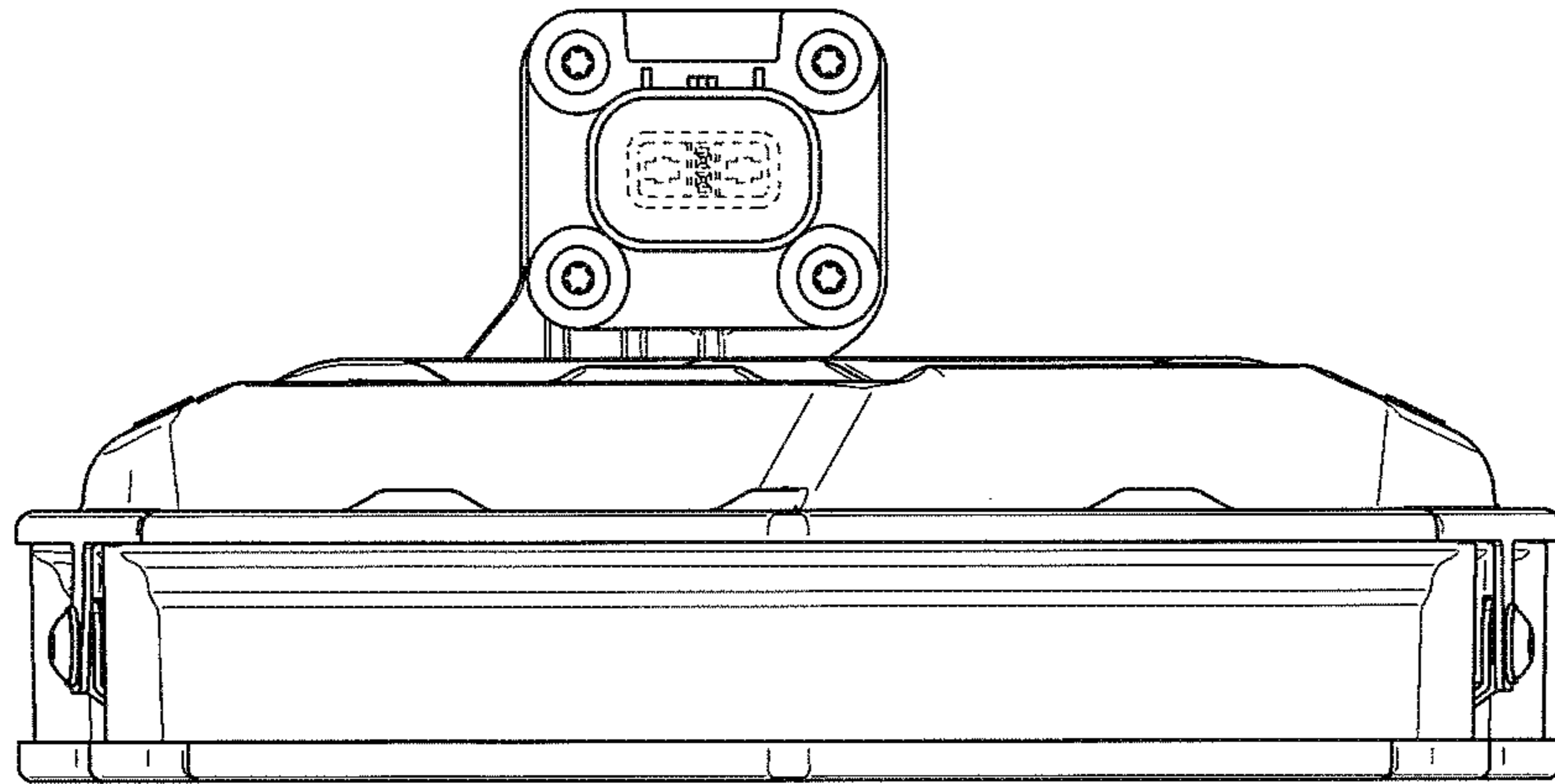


Fig. 13

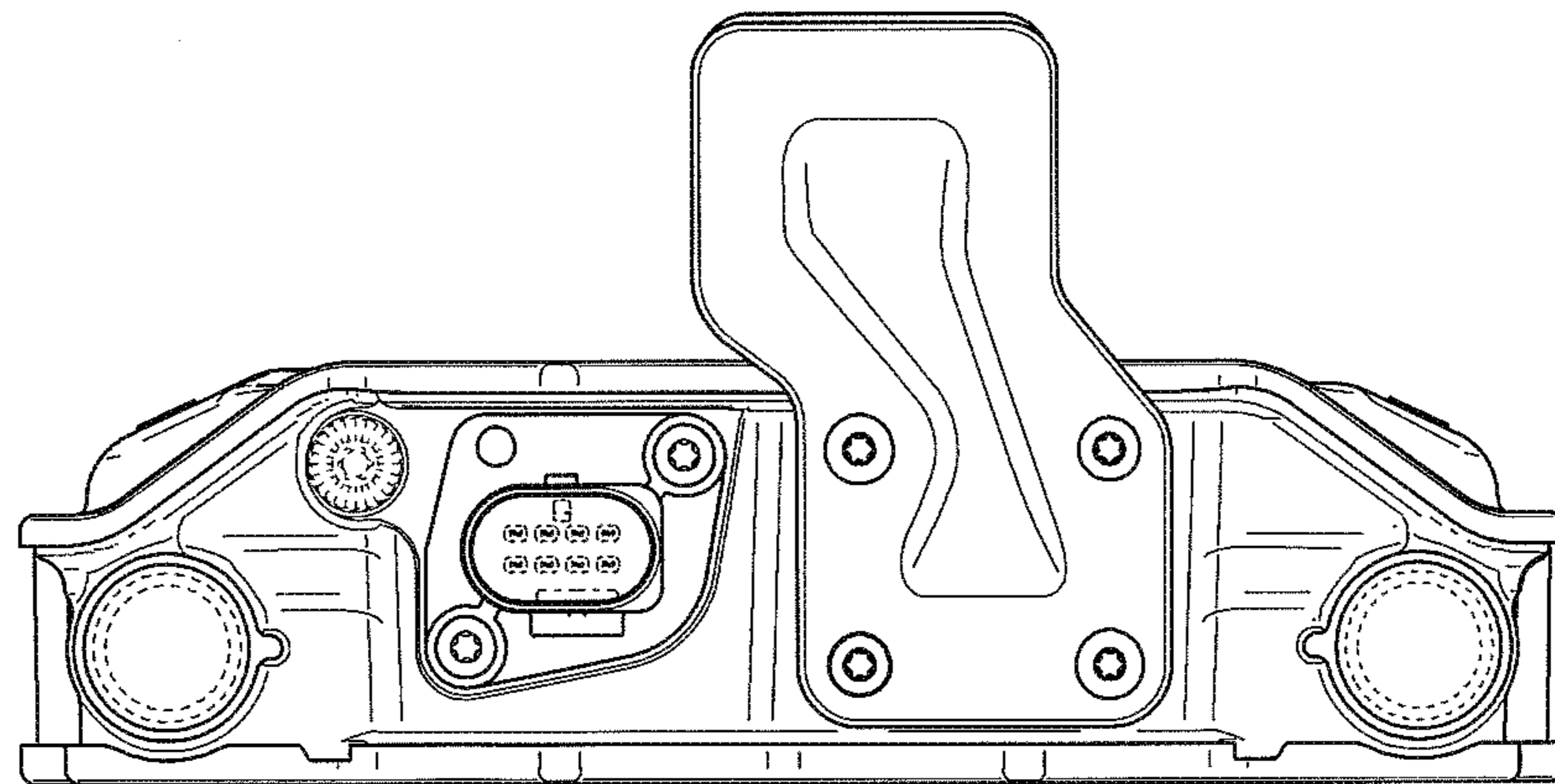


Fig. 14