



US00D813362S

(12) **United States Design Patent** (10) **Patent No.:** **US D813,362 S**
Anthony et al. (45) **Date of Patent:** **** Mar. 20, 2018**

(54) **PATIO HEATER** D465,836 S * 11/2002 Smith D23/342
D471,967 S 3/2003 Bossler
(71) Applicant: **Bond Manufacturing Company,** 6,651,647 B2 11/2003 Waters
Antioch, CA (US) D486,211 S 2/2004 Chan et al.
D509,291 S * 9/2005 Cunningham D23/336
(72) Inventors: **Lawrence Anthony,** Manila (PH); D537,154 S * 2/2007 Cunningham D23/336
Trisha Inovero, Caloocan (PH); D563,537 S * 3/2008 McColgin D23/317
Zhirong Zhang, Shenzhen (CN); D567,916 S * 4/2008 McColgin D23/317
Cameron Jenkins, Antioch, CA (US) D594,949 S 6/2009 Wang
(Continued)

(73) Assignee: **Bond Manufacturing Co., Inc.,** FOREIGN PATENT DOCUMENTS
Antioch, CA (US)
AU 2003 203 464 10/2003
FR 2814223 A1 * 3/2002 F24C 1/12

(**) Term: **15 Years**
(21) Appl. No.: **29/605,829** OTHER PUBLICATIONS
(22) Filed: **May 30, 2017** Gasmate Catalog, Gasmate, the outdoors made easy, Heating & Lighting, www.gasmate.co.nz, 2013-2014, 20 pages.
(Continued)

Related U.S. Application Data
(63) Continuation-in-part of application No. 29/527,814, filed on May 21, 2015.
(51) **LOC (11) Cl.** **23-03**
(52) **U.S. Cl.**
USPC **D23/317**
(58) **Field of Classification Search**
USPC D23/323, 328, 332, 336, 339, 342, 386, D23/338, 314, 317, 335, 337, 340
CPC F24C 1/12; F24C 1/10; F24C 3/04; F24C 15/00; H05B 3/008; F23D 14/145; F24H 3/006; F24H 9/0057; F24H 9/1881
See application file for complete search history.

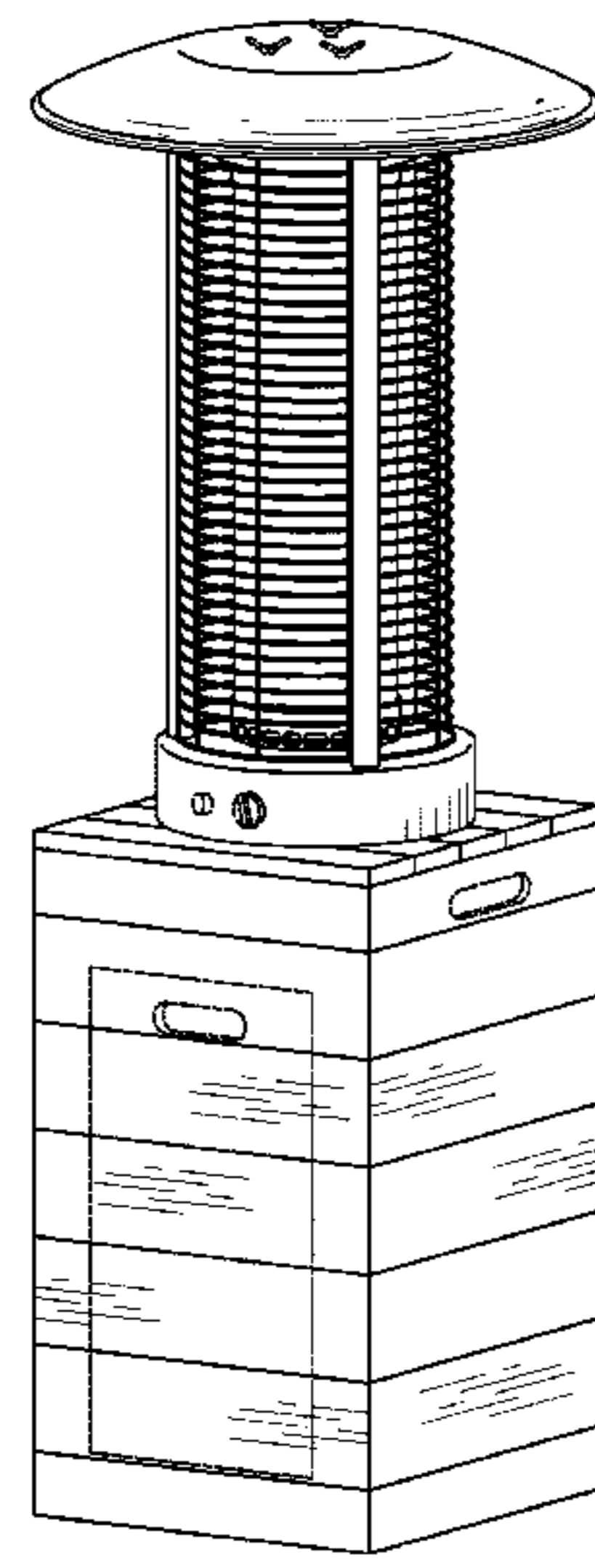
Primary Examiner — T. Chase Nelson
Assistant Examiner — Ania Aman
(74) *Attorney, Agent, or Firm* — Weide & Miller, Ltd.

(56) **References Cited**
U.S. PATENT DOCUMENTS
D325,963 S * 5/1992 Anderson D23/342
D429,324 S 8/2000 Olson et al.
6,192,878 B1 2/2001 Waters
6,397,835 B1 6/2002 Liang
D462,426 S 9/2002 Jeng
D462,427 S 9/2002 Jeng

(57) **CLAIM**
The ornamental design for a patio heater, as shown and described.

DESCRIPTION
FIG. 1 is a perspective view of a patio heater showing the new design.
FIG. 2 is a front view of the design shown in FIG. 1.
FIG. 3 is a back view of the design shown in FIG. 1.
FIG. 4 is a right-side view of the design shown in FIG. 1.
FIG. 5 is a left-side view of the design shown in FIG. 1.
FIG. 6 is a top view of the design shown in FIG. 1; and, FIG. 7 is a bottom view of the design shown in FIG. 1.
The broken lines indicate unclaimed portions of the article and form no part of the claimed design.

1 Claim, 7 Drawing Sheets



(56)

References Cited

U.S. PATENT DOCUMENTS

D616,972	S	6/2010	Wang	
D620,569	S *	7/2010	Hall, Jr.	D23/314
D639,919	S *	6/2011	Yu	D23/314
D640,355	S	6/2011	Yu	
D663,811	S	7/2012	Ren	
D688,360	S	8/2013	Paz	
D718,850	S	12/2014	Stokke	
D756,496	S *	5/2016	Wang	D23/332
9,328,927	B2	5/2016	Wang	
9,404,671	B2 *	8/2016	Liang	F24H 9/0073
2001/0037804	A1	11/2001	Waters et al.	
2003/0056782	A1	3/2003	Liang	
2004/0226551	A1	11/2004	Duphily	
2008/0152329	A1 *	6/2008	Saunders	F24C 3/04 392/407
2010/0132698	A1	6/2010	Pedersen et al.	
2014/0220293	A1	8/2014	Lavigna et al.	
2014/0305427	A1 *	10/2014	Liang	F24H 3/006 126/90 R
2014/0305428	A1 *	10/2014	Liang	F24H 9/0073 126/91 A
2016/0230985	A1 *	8/2016	Home	F23D 14/145
2016/0348915	A1 *	12/2016	Yang	F24C 1/12

OTHER PUBLICATIONS

Home Depot Catalog, <http://www.homedepot.com/catalog/productImages/400/3f/3f384a39-69ea-4eb4-9-caa-bd9d>, 1 page, printed Nov. 4, 2015.

Square image, Square, <https://secure.img1.wfrcdn.com/1f/87/hash/1523/3972126/1/Square%2BFlame%2BHeater>, 1 page, printed Nov. 4, 2015.

* cited by examiner

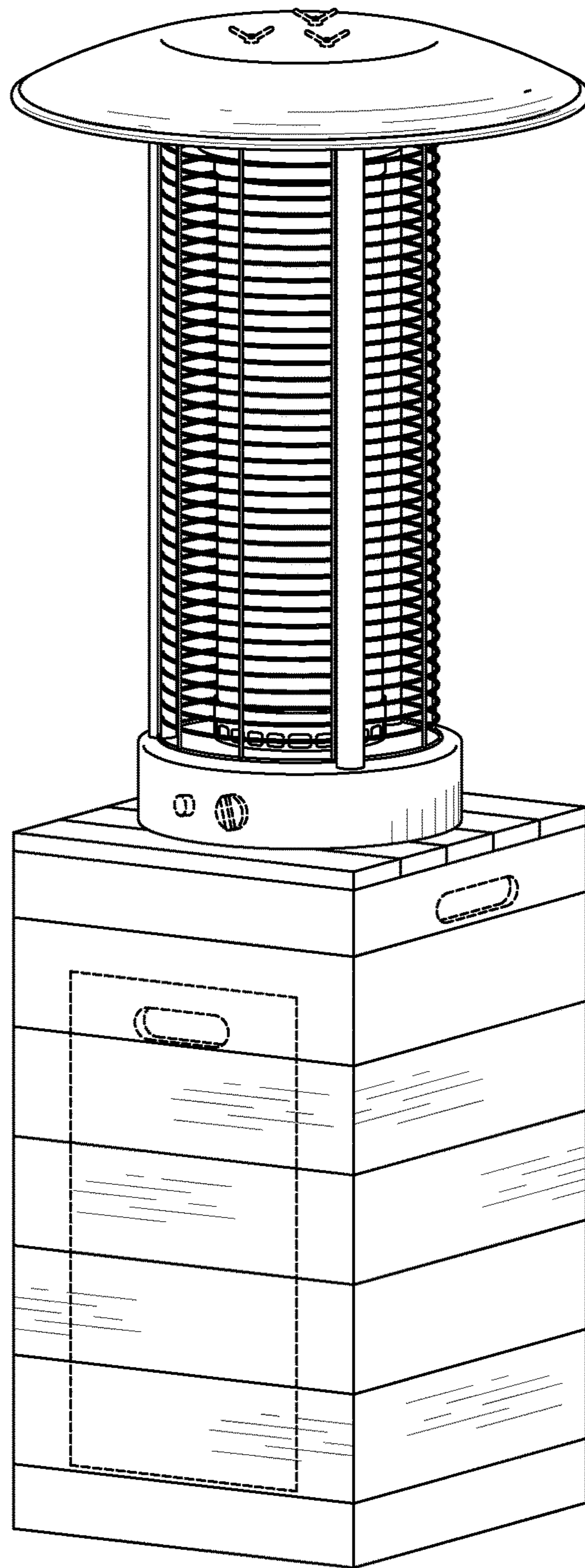


FIG. 1

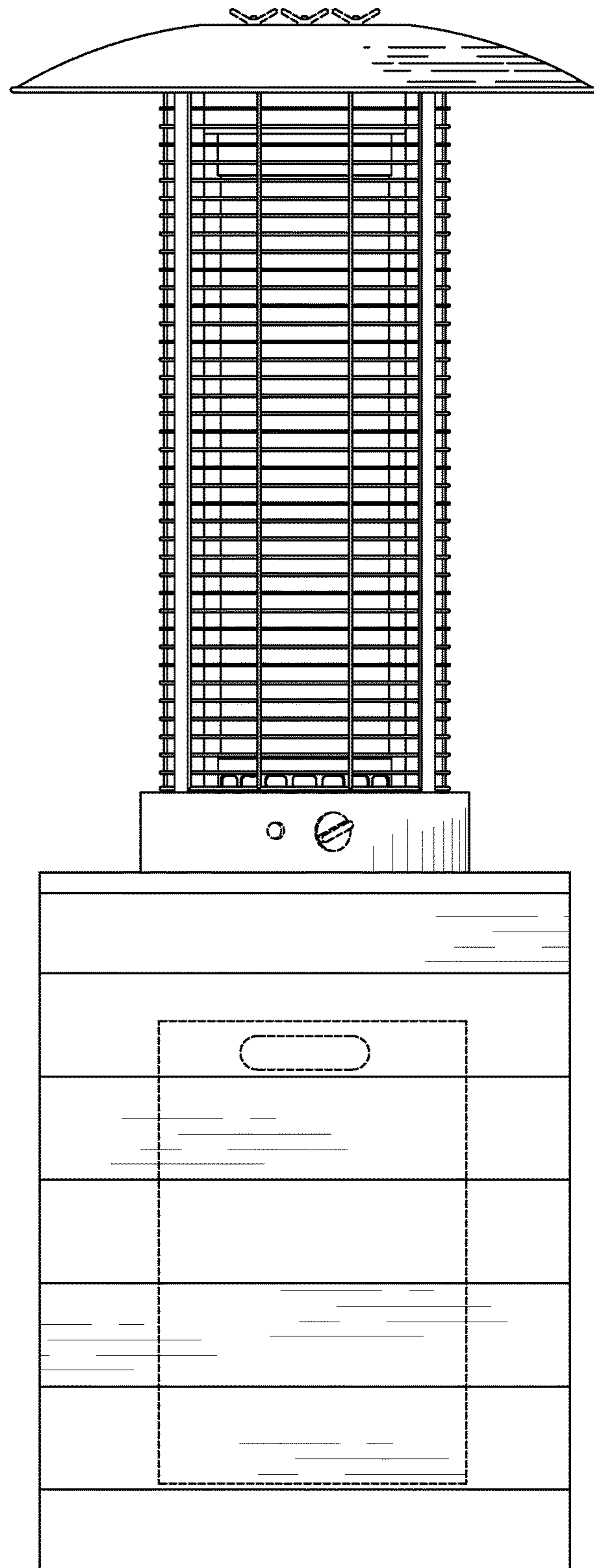


FIG. 2

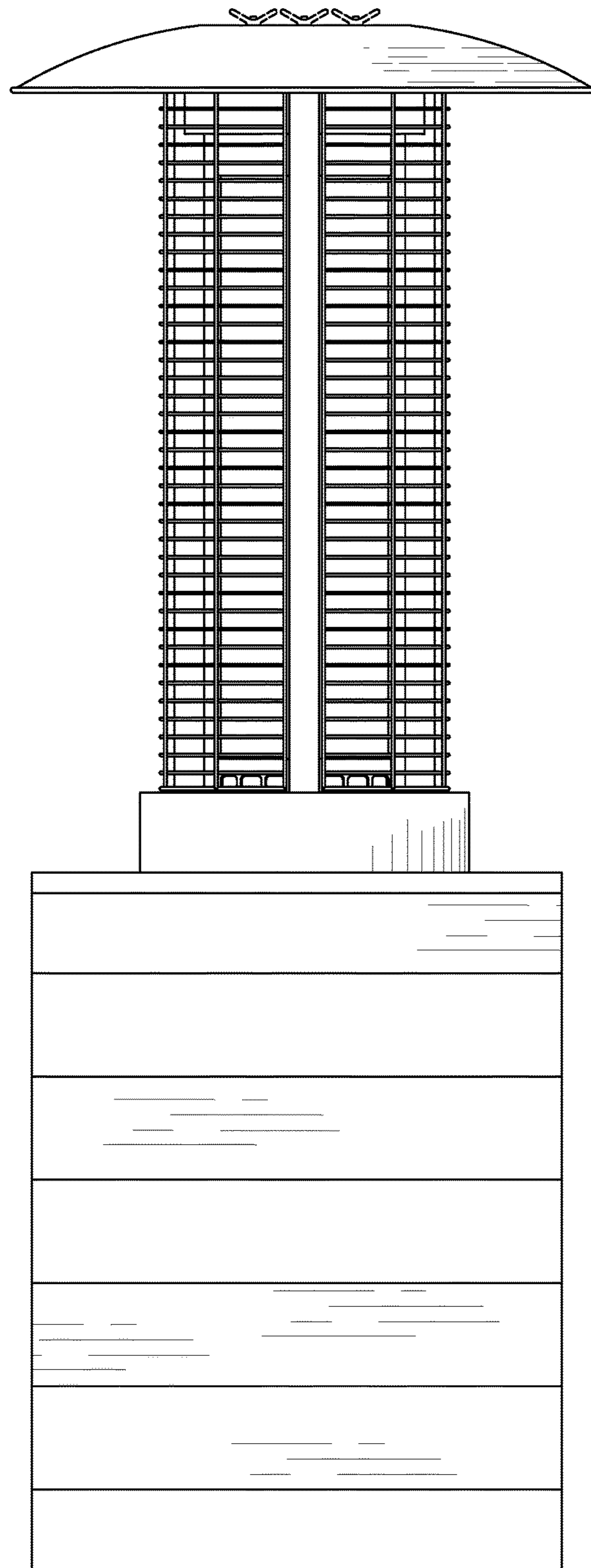


FIG. 3

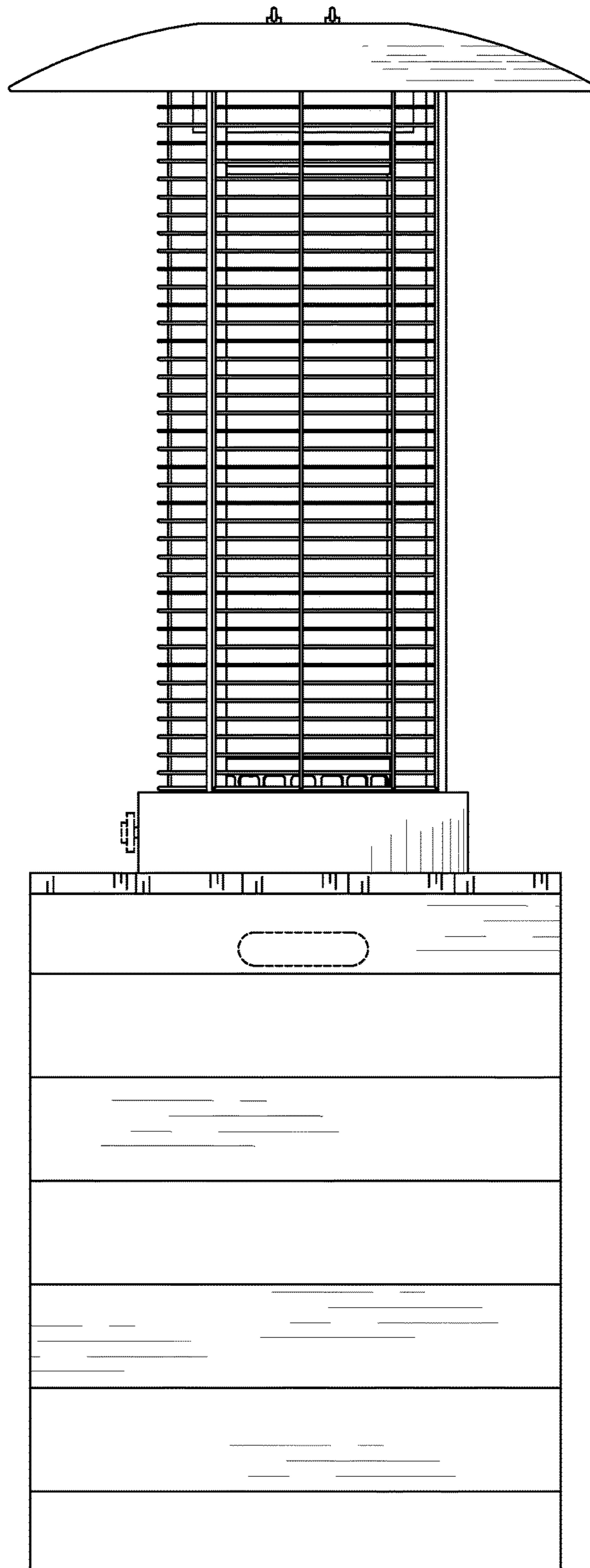


FIG. 4

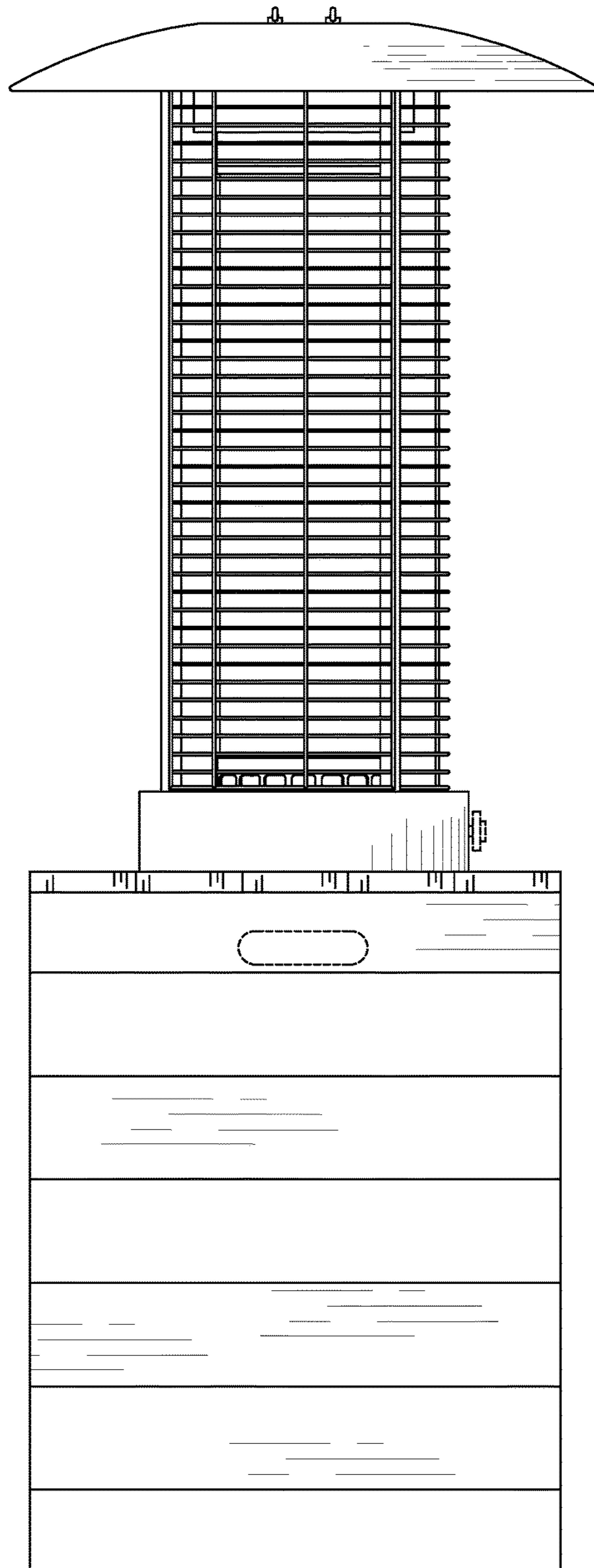


FIG. 5

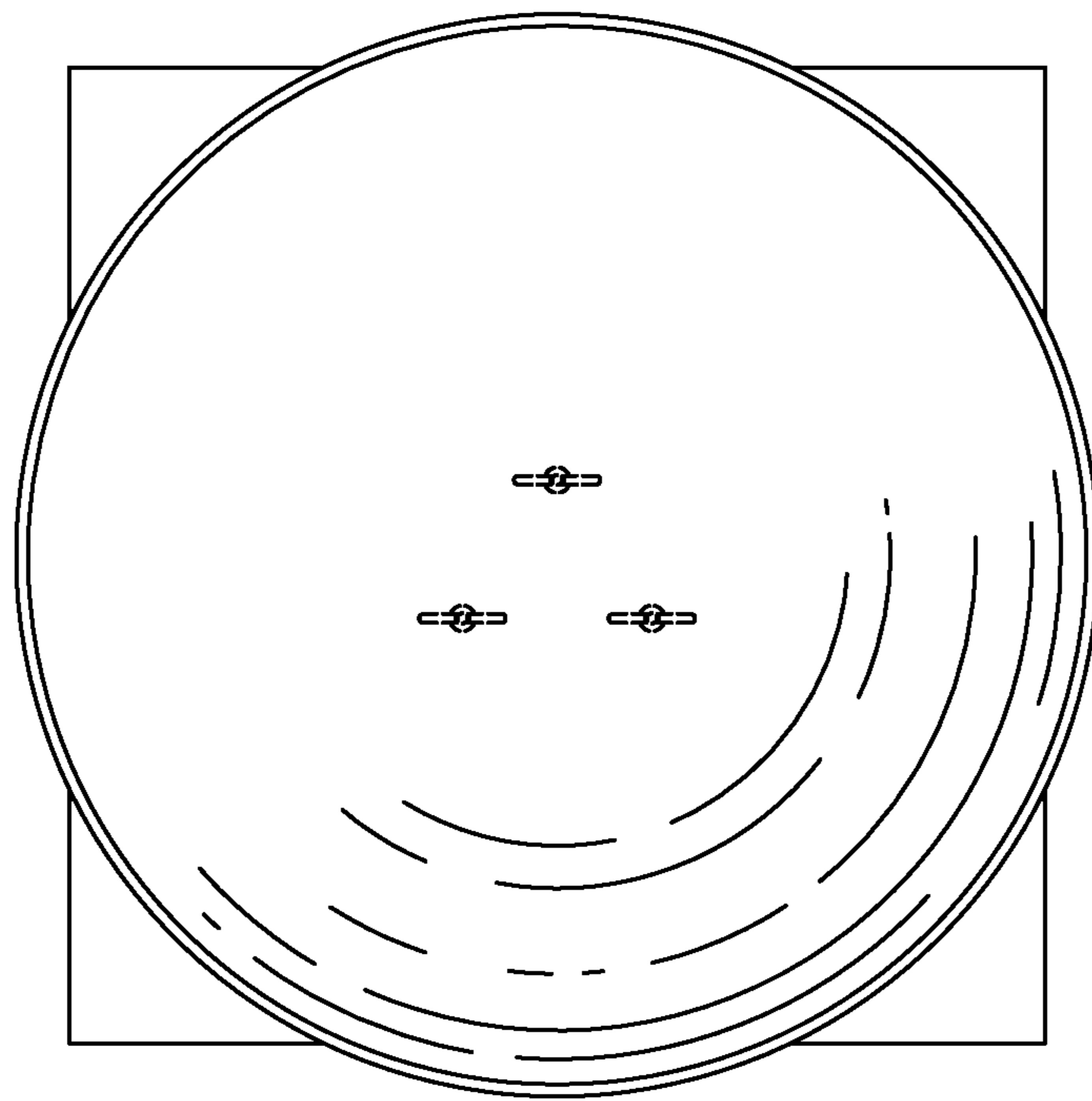


FIG. 6

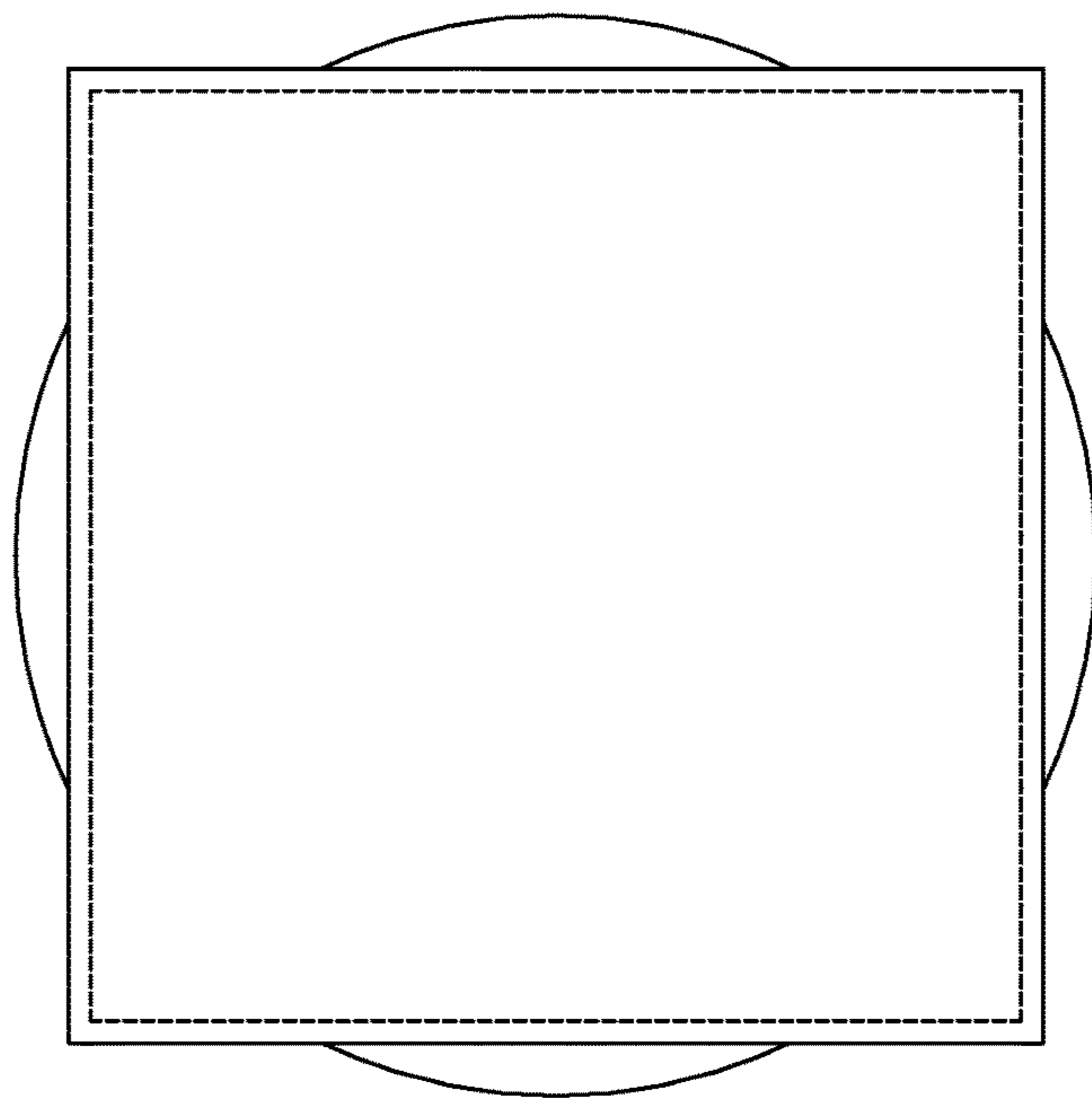


FIG. 7

UNITED STATES PATENT AND TRADEMARK OFFICE
CERTIFICATE OF CORRECTION

PATENT NO. : D813,362 S
APPLICATION NO. : 29/605829
DATED : March 20, 2018
INVENTOR(S) : Lawrence Anthony Pontillas et al.

Page 1 of 1

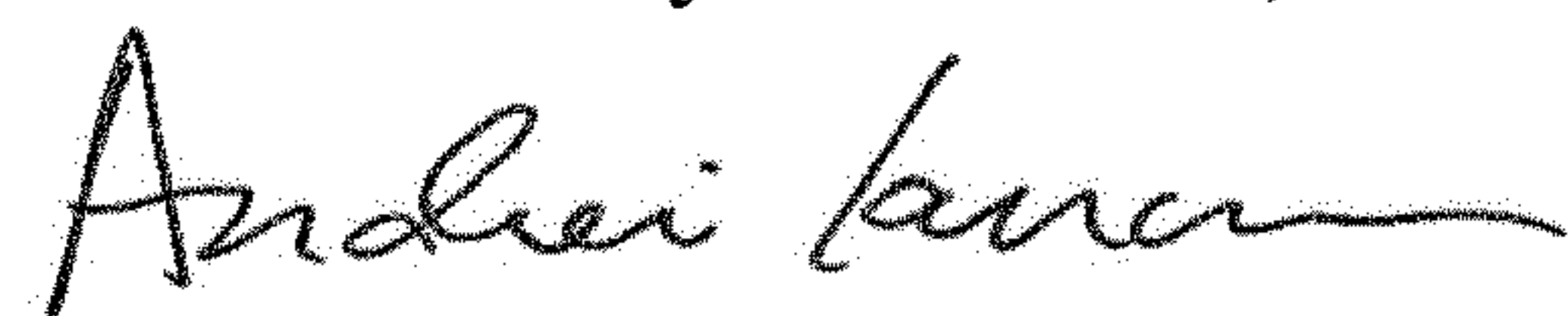
It is certified that error appears in the above-identified patent and that said Letters Patent is hereby corrected as shown below:

On the Title Page

Item (72), should read:

Inventors: Lawrence Anthony Pontillas, Manila (PH); Trisha Inovero, Caloocan (PH); Zhirong Zhang, Shenzhen (CN); Cameron Jenkins, Antioch, CA (US)

Signed and Sealed this
Sixteenth Day of October, 2018



Andrei Iancu
Director of the United States Patent and Trademark Office