



US00D813361S

(12) **United States Design Patent**
Krahn

(10) **Patent No.:** **US D813,361 S**

(45) **Date of Patent:** **** Mar. 20, 2018**

(54) **MOP WATER DRAIN AID**

(71) Applicant: **Jacob Krahn, Winkler (CA)**

(72) Inventor: **Jacob Krahn, Winkler (CA)**

(73) Assignee: **Jacob Krahn**

(**) Term: **15 Years**

(21) Appl. No.: **29/597,754**

(22) Filed: **Mar. 20, 2017**

(51) **LOC (11) Cl.** **23-01**

(52) **U.S. Cl.**
USPC **D23/308**

(58) **Field of Classification Search**
USPC D23/284–293.1, 303, 304, 308; D6/329,
D6/573, 657, 663–666, 671, 671.1, 671.4;
D32/53
CPC A47K 1/04; A47B 77/06; A47J 47/20
See application file for complete search history.

(56) **References Cited**

U.S. PATENT DOCUMENTS

4,338,688 A * 7/1982 Petty E03C 1/20
4/661
D274,004 S * 5/1984 Argentina D25/55

D494,665 S * 8/2004 Herbeau D23/293.1
D504,496 S * 4/2005 Bayer D23/293.1
D505,188 S * 5/2005 Bayer D23/293.1
D607,979 S * 1/2010 Jiang D23/293.1
D701,595 S * 3/2014 Blum D23/304
D712,522 S * 9/2014 Chen D23/284
D796,648 S * 9/2017 Francesconi D23/284

* cited by examiner

Primary Examiner — Robert M. Spear

Assistant Examiner — John A Voytek

(74) *Attorney, Agent, or Firm* — Kyle R Satterthwaite;
Ryan W. Dupuis; Ade & Company Inc

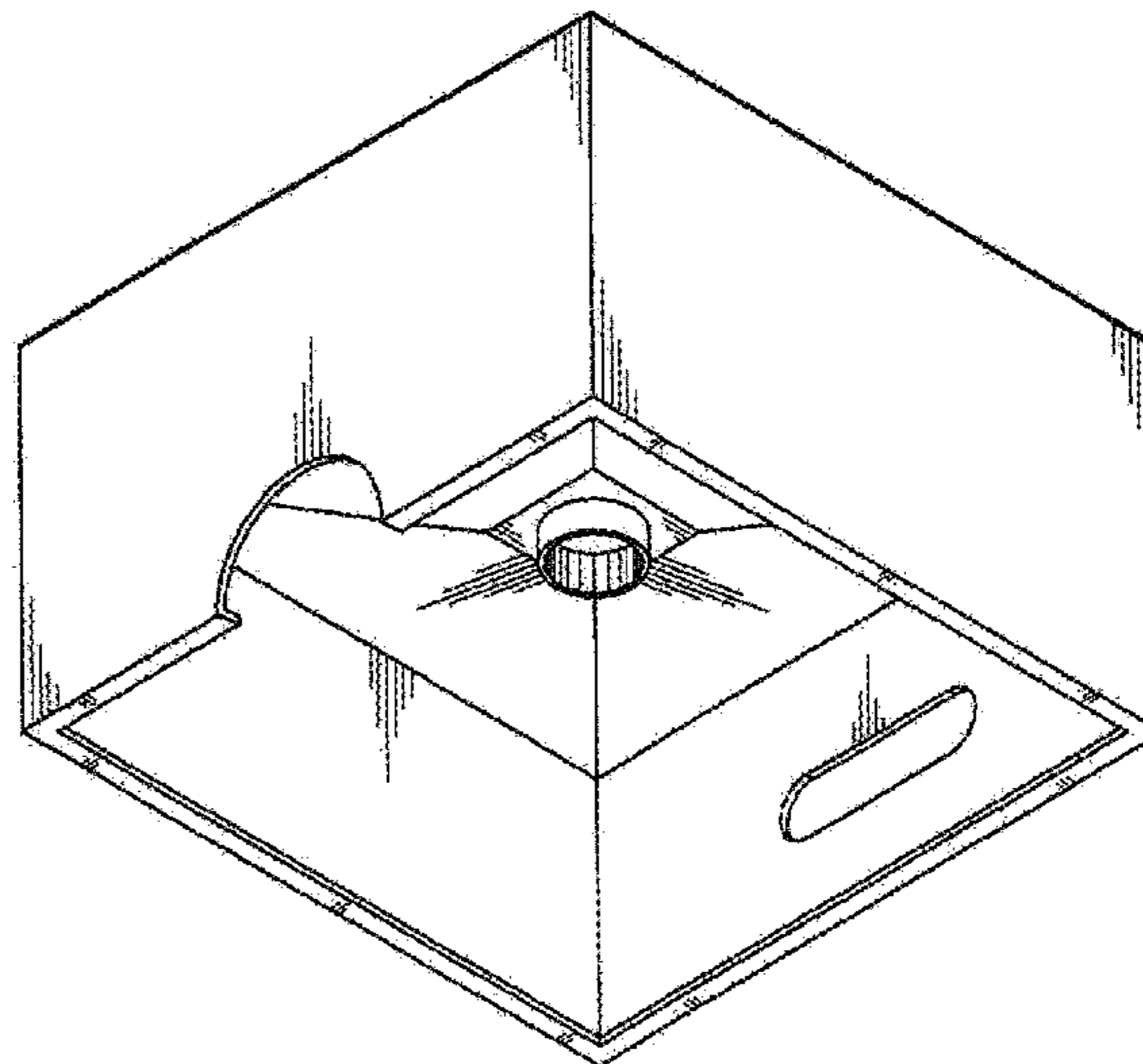
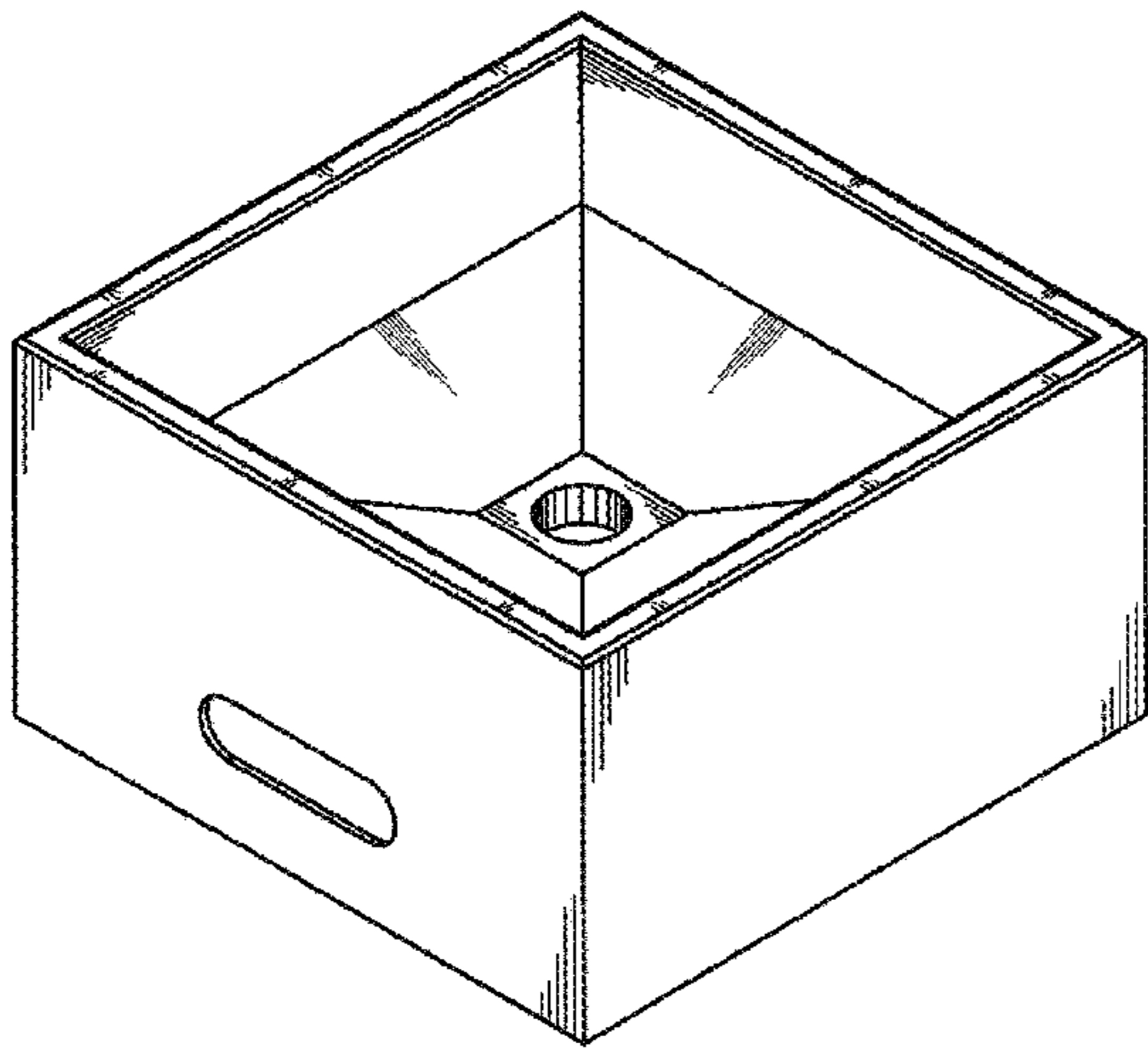
(57) **CLAIM**

The ornamental design for a mop water drain aid, as shown and described.

DESCRIPTION

FIG. 1 is a top front perspective view of the mop water drain aid;
FIG. 2 is a top rear perspective view thereof;
FIG. 3 is a top plan view thereof;
FIG. 4 is a bottom plan view thereof;
FIG. 5 is a front elevational view thereof;
FIG. 6 is a rear elevational view thereof;
FIG. 7 is one of two identical side views thereof;
FIG. 8 is a bottom front perspective view thereof; and,
FIG. 9 is a bottom rear perspective view thereof.

1 Claim, 4 Drawing Sheets



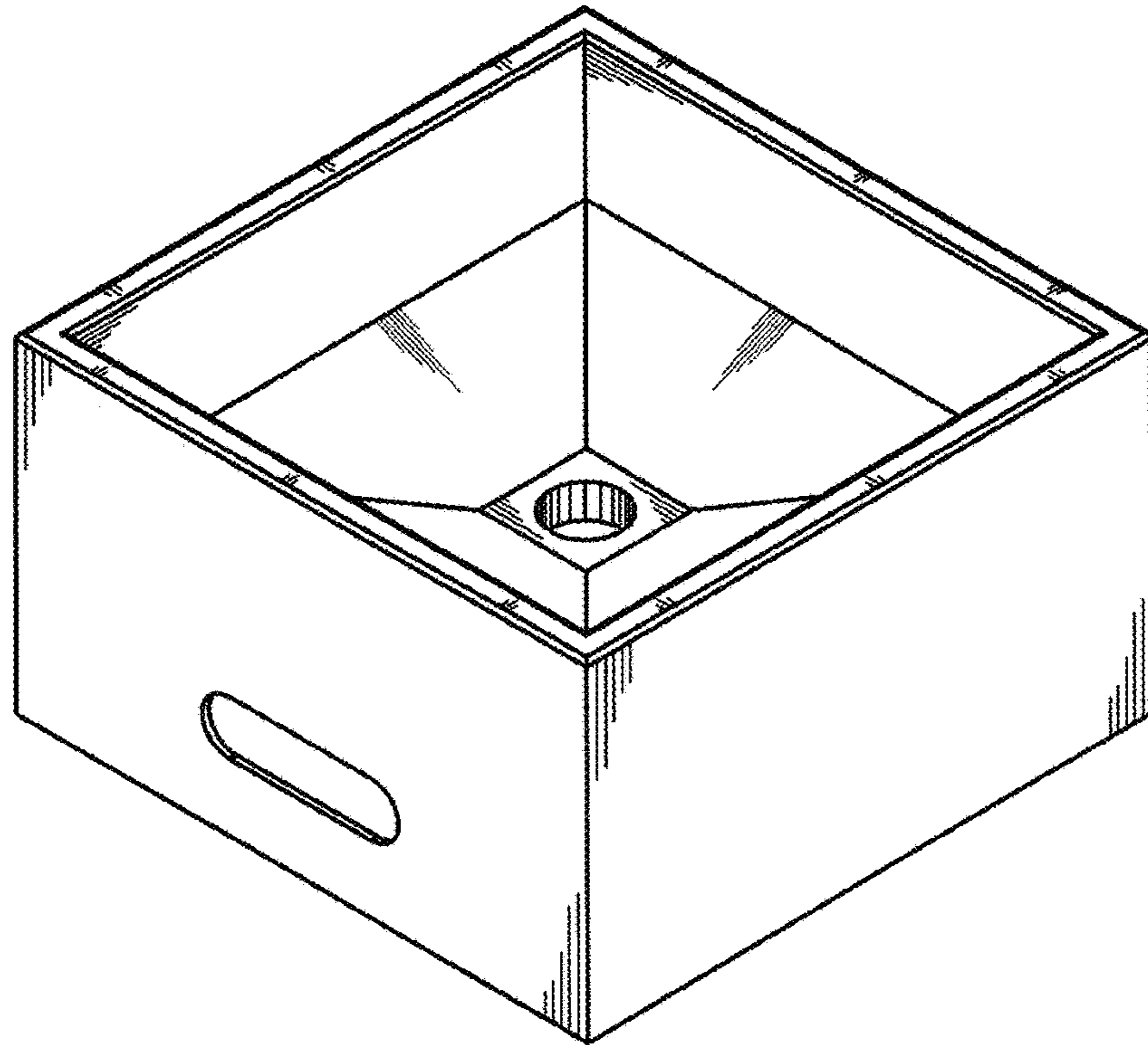


FIG. 1

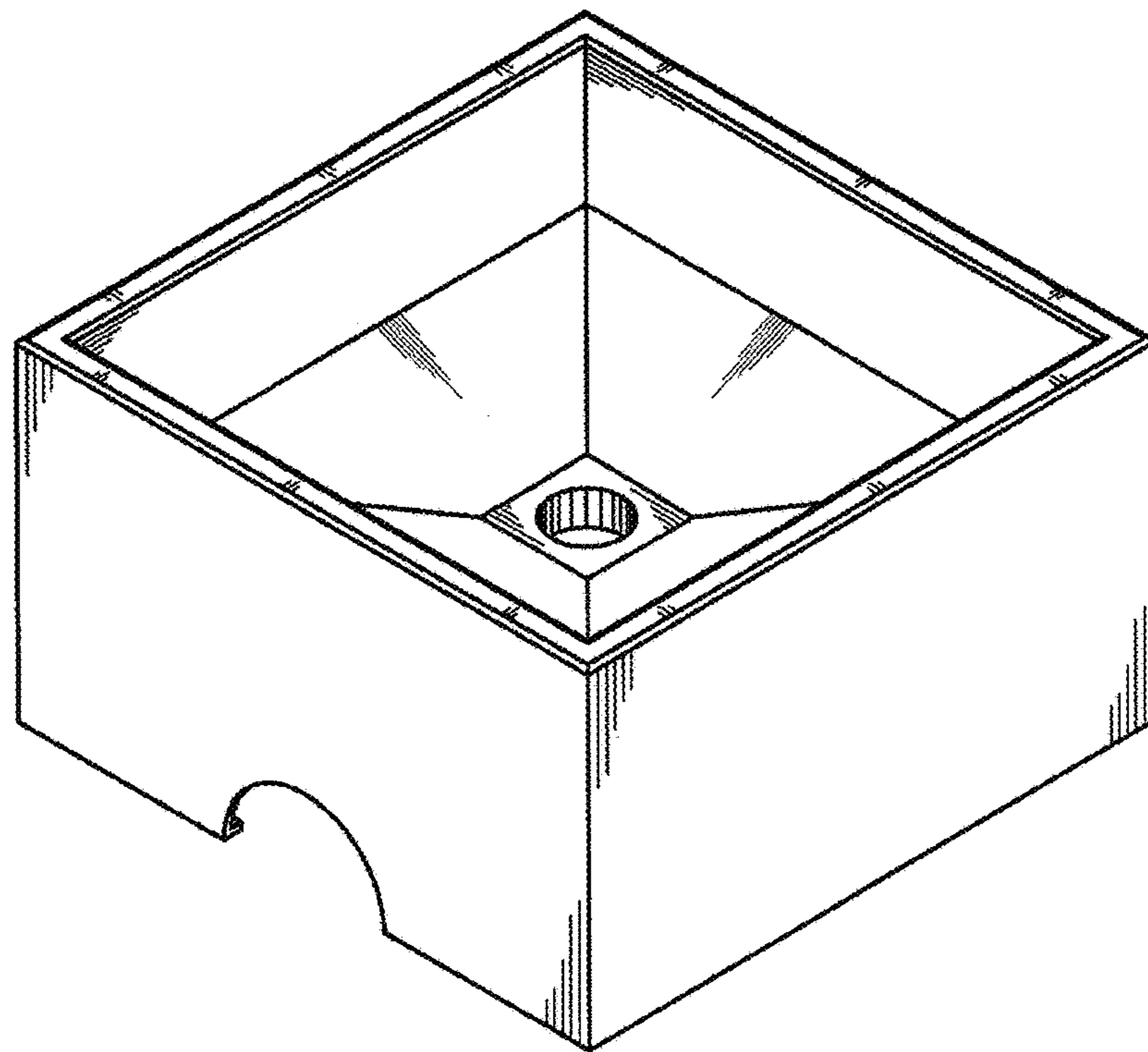


FIG. 2

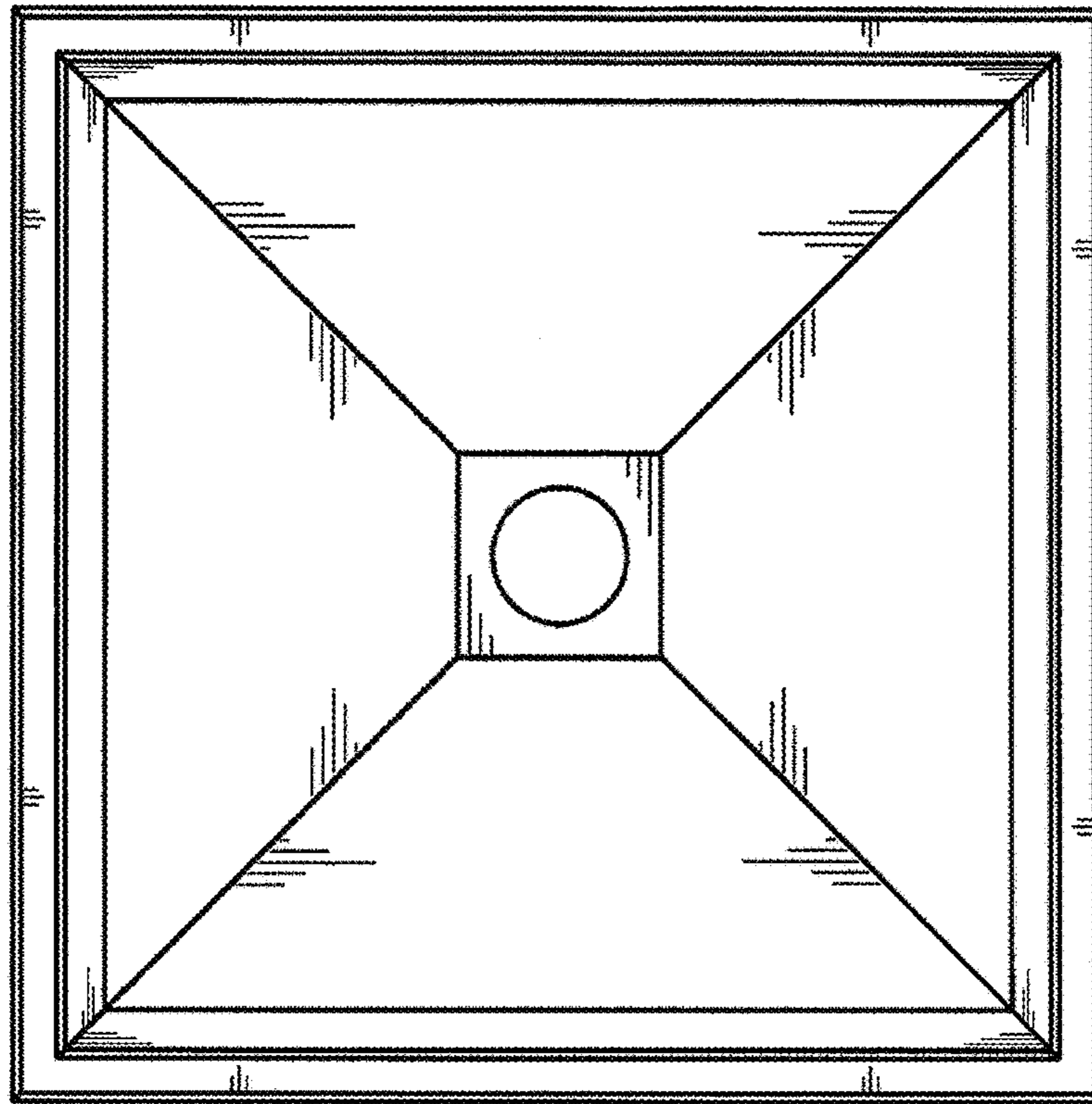


FIG. 3

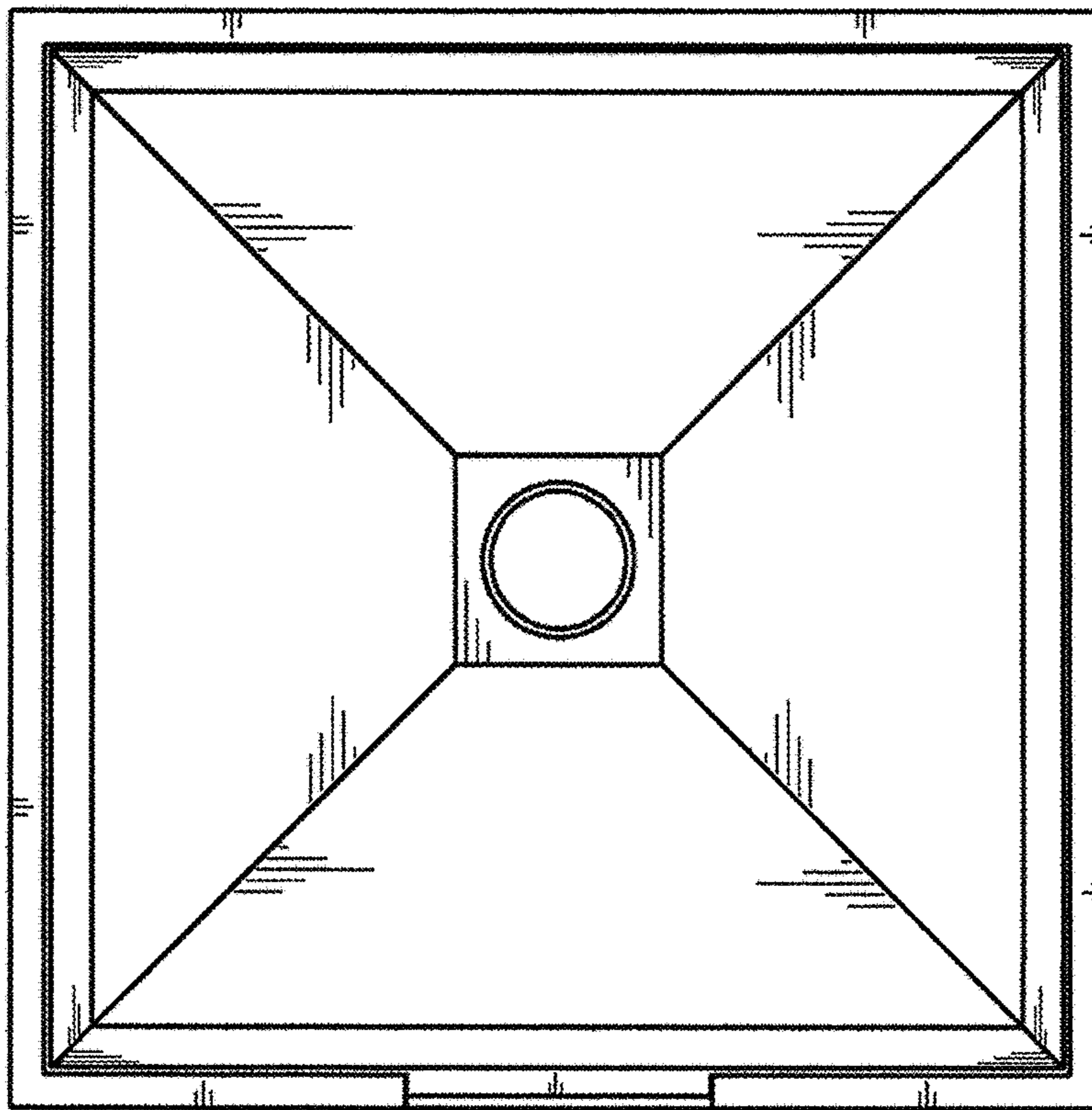


FIG. 4

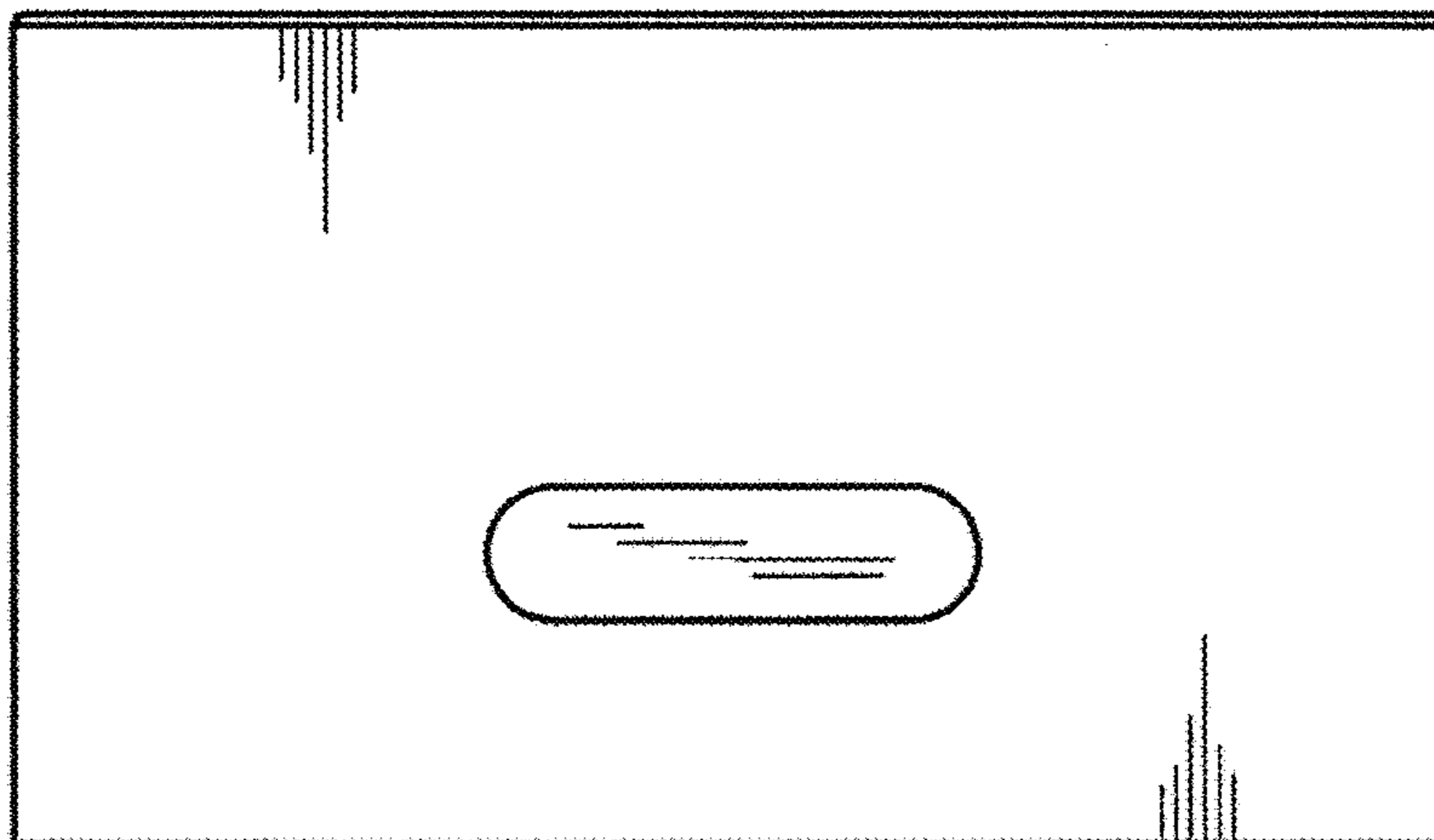


FIG. 5

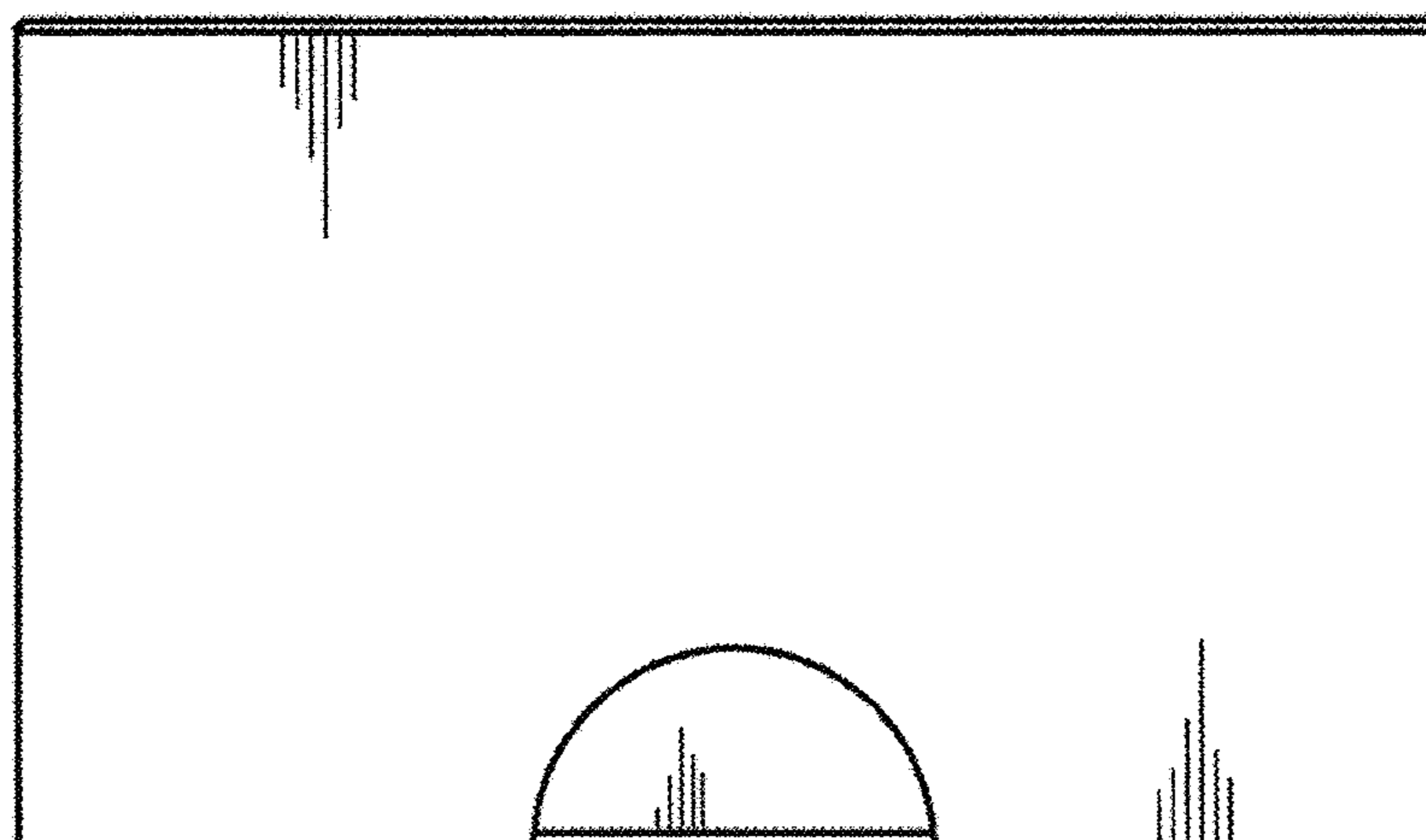


FIG. 6

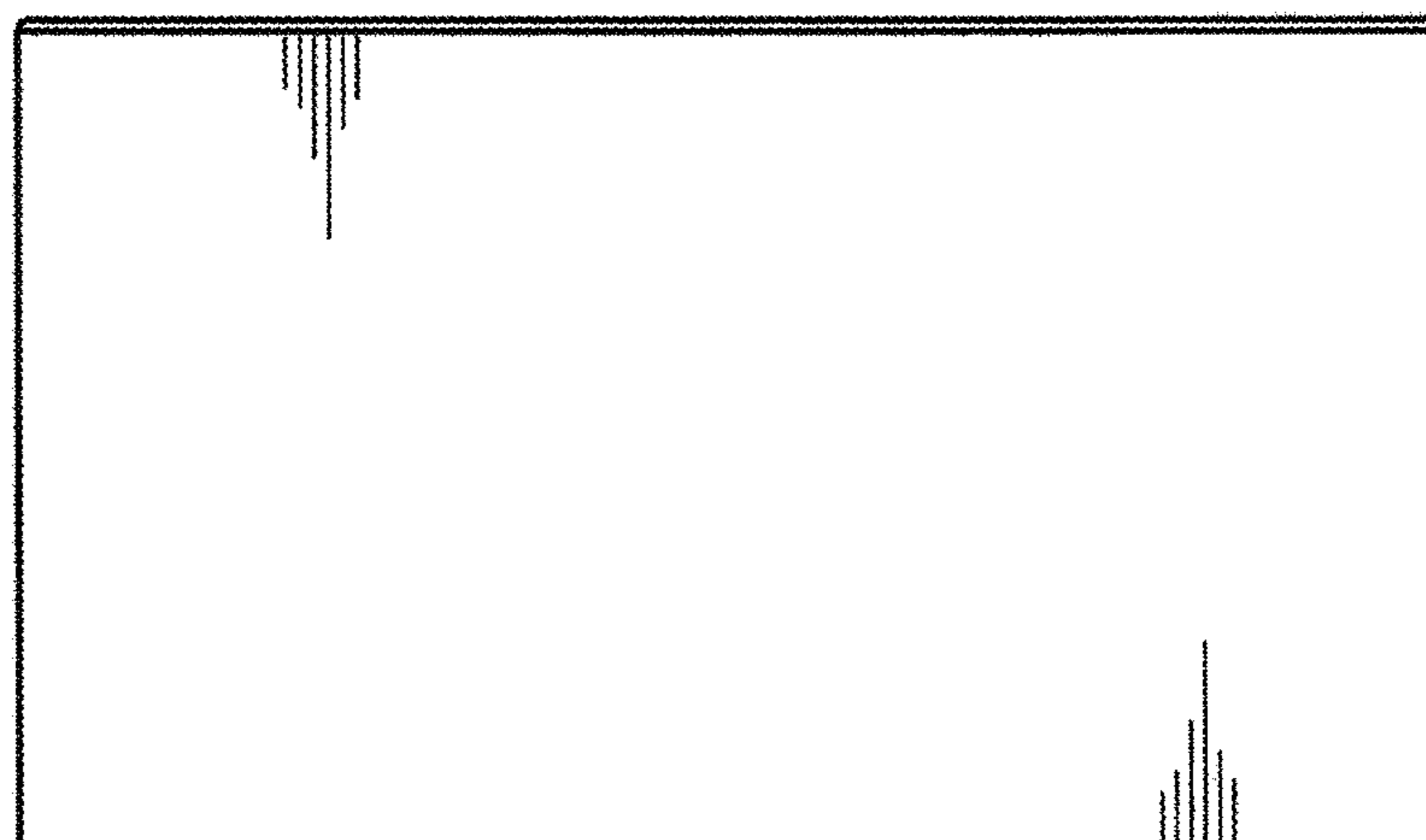


FIG. 7

FIG. 8

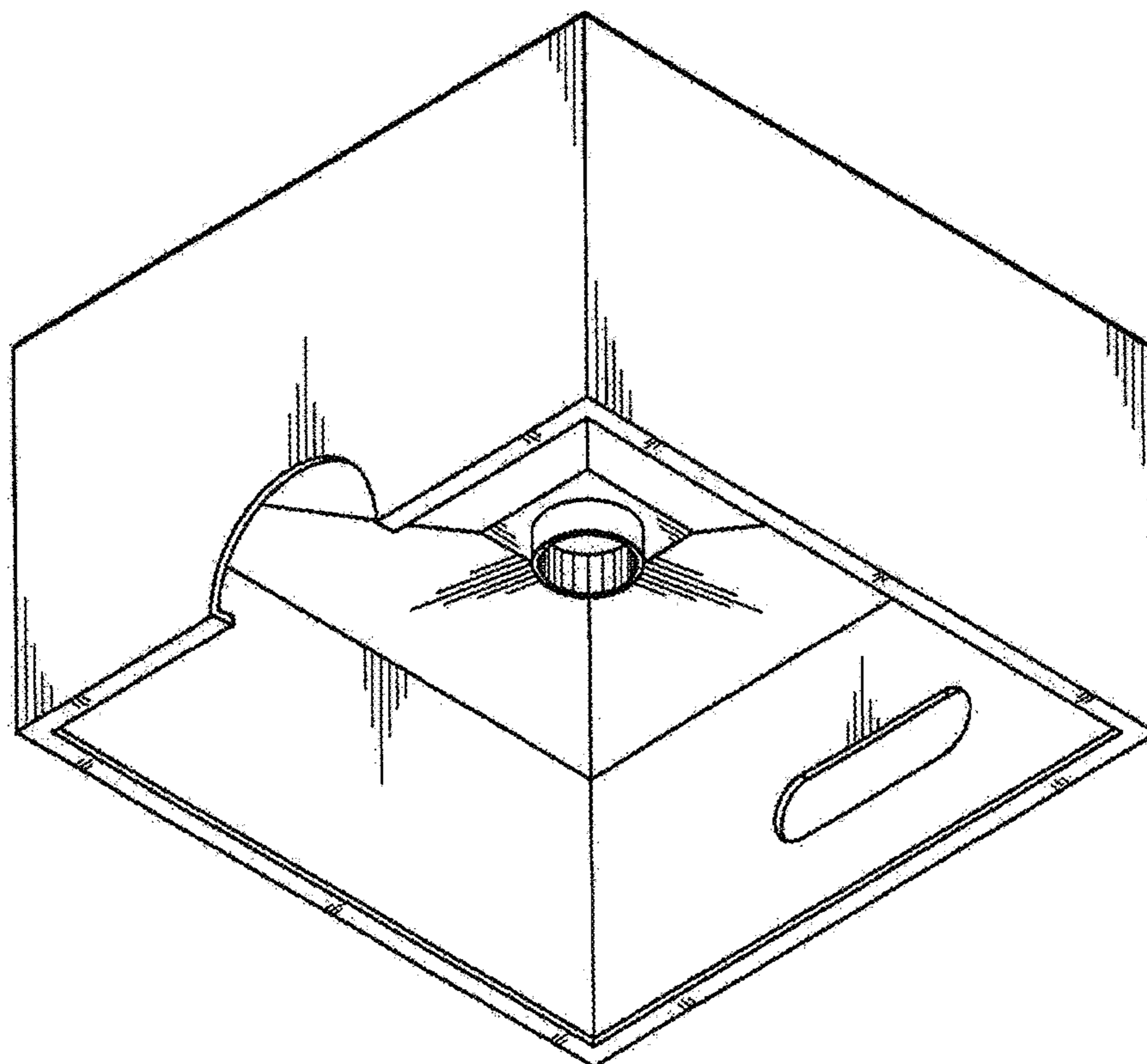
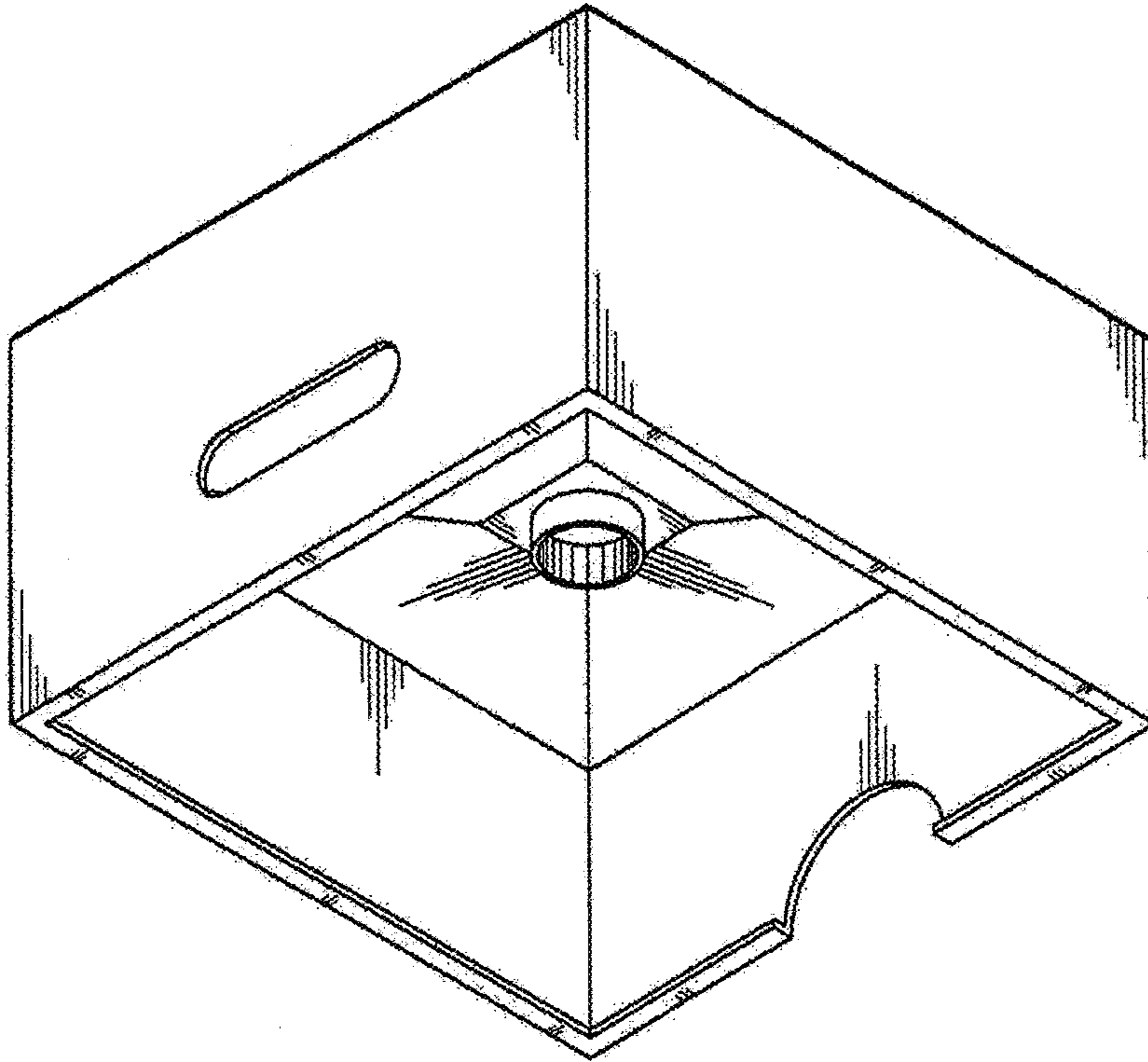


FIG. 9