



US00D813360S

(12) **United States Design Patent**  
**Murray et al.**

(10) **Patent No.:** **US D813,360 S**  
(45) **Date of Patent:** **\*\* Mar. 20, 2018**

(54) **LAVATORY SYSTEM WITH SINGULAR  
FIXTURE FOR WATER, SOAP, AND DRYER**

D691,248 S \* 10/2013 McGuire ..... D23/308  
8,997,271 B2 \* 4/2015 Bayley ..... A47K 10/48  
4/638

(71) Applicant: **Bradley Fixtures Corporation,**  
Menomonee Falls, WI (US)

D768,824 S \* 10/2016 Murray ..... D23/238  
D785,760 S \* 5/2017 Murray ..... D23/238  
D785,761 S \* 5/2017 Murray ..... D23/238

(72) Inventors: **Chris Murray,** Chicago, IL (US);  
**Trevis Kurz,** Chicago, IL (US);  
**Cassandra Anne Schneider,**  
Oconomowoc, WI (US); **William L.**  
**Haas,** Richfield, WI (US); **Jason**  
**Thomas Dodge,** Waukesha, WI (US)

\* cited by examiner

*Primary Examiner* — Robert A Delehanty  
(74) *Attorney, Agent, or Firm* — Boyle Fredrickson, S.C.

(73) Assignee: **Bradley Fixtures Corporation,**  
Menomonee Falls, WI (US)

(57) **CLAIM**

The ornamental design for lavatory system with singular  
fixture for water, soap, and dryer, substantially as shown and  
described.

(\*\*) Term: **15 Years**

**DESCRIPTION**

(21) Appl. No.: **29/559,402**

(22) Filed: **Mar. 28, 2016**

(51) **LOC (11) Cl.** ..... **23-02**

(52) **U.S. Cl.**  
USPC ..... **D23/308; D23/240**

(58) **Field of Classification Search**  
USPC ..... D23/238–243, 249–250, 254, 255, 257,  
D23/284, 293.1, 308; D28/54.1, 58;  
D6/542–545

CPC ..... E03C 1/04; E03C 1/0401; E03C 1/0402;  
E03C 1/0404; E03C 1/057; E03C 1/052;  
F16K 31/602; F16K 31/605; F16K  
31/607; A47K 5/1217; A47K 10/48

See application file for complete search history.

FIG. 1 is a front, raised perspective view of a lavatory  
system showing a basin with a single fixture including a  
faucet, soap dispenser, and dryer;  
FIG. 2 is a rear, lowered perspective view of the lavatory  
system according to FIG. 1;  
FIG. 3 is a top view of the lavatory system according to  
FIG. 1;  
FIG. 4 is bottom view of the lavatory system according to  
FIG. 1;  
FIG. 5 is a front view of the lavatory system according to  
FIG. 1;  
FIG. 6 is a rear view of the lavatory system according to  
FIG. 1;  
FIG. 7 is a left side view of the lavatory system according  
to FIG. 1; and,  
FIG. 8 is a right side view of the lavatory system according  
to FIG. 1.

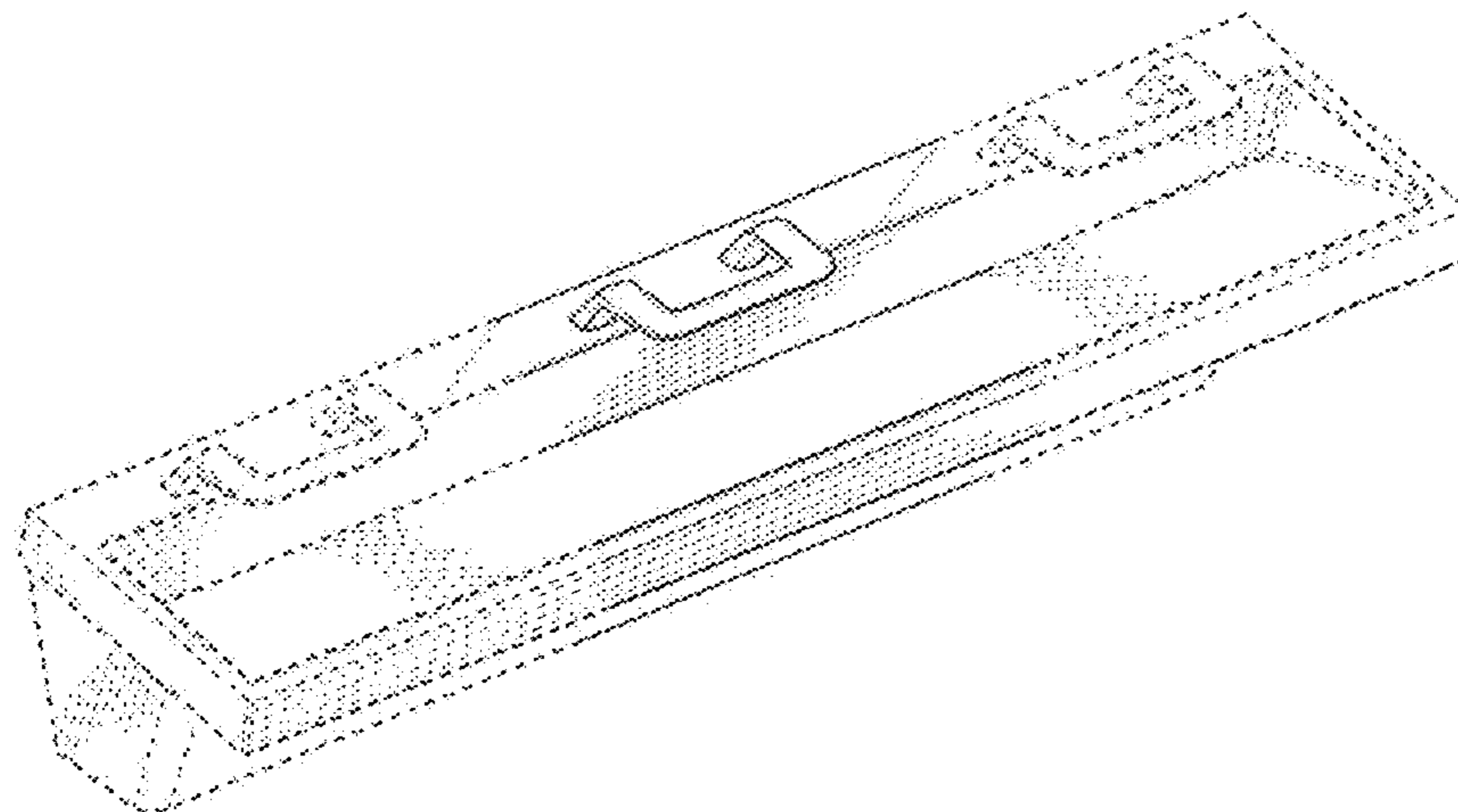
(56) **References Cited**

**U.S. PATENT DOCUMENTS**

D268,949 S \* 5/1983 Delepine ..... D23/255  
D468,815 S \* 1/2003 Kahle ..... D23/284  
D545,415 S \* 6/2007 Tani ..... D23/293.1  
D629,877 S \* 12/2010 Rundberg ..... D23/308  
D687,530 S \* 8/2013 McGuire ..... D23/308  
D691,247 S \* 10/2013 McGuire ..... D23/308

The broken lines shown in the drawings form no part of the  
claimed design, The surface shading illustrated in the draw-  
ings is provided merely to highlight the contour of the design  
and is not part of the claimed design. All surfaces not shown  
form no part of the claimed design.

**1 Claim, 4 Drawing Sheets**



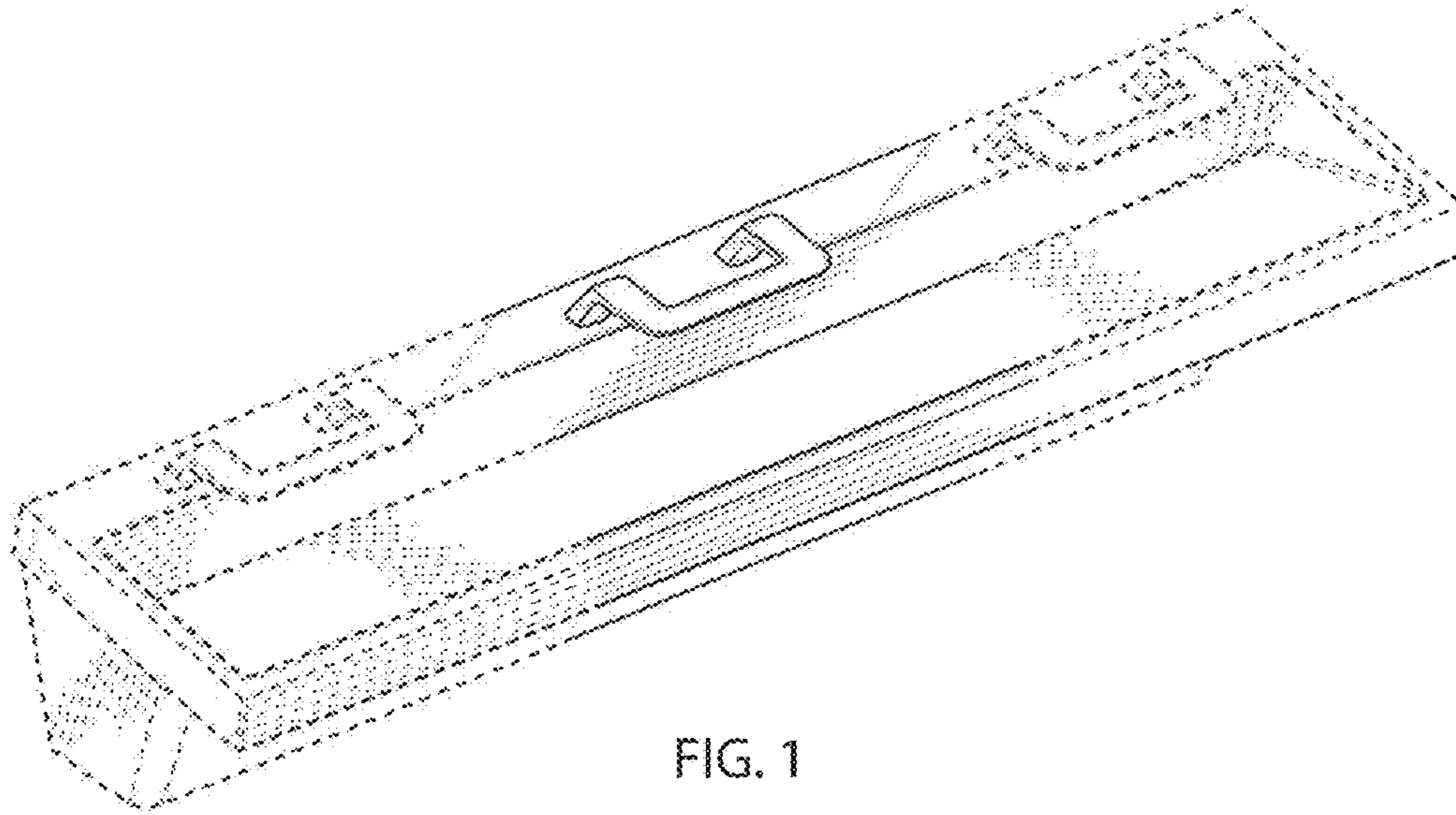


FIG. 1

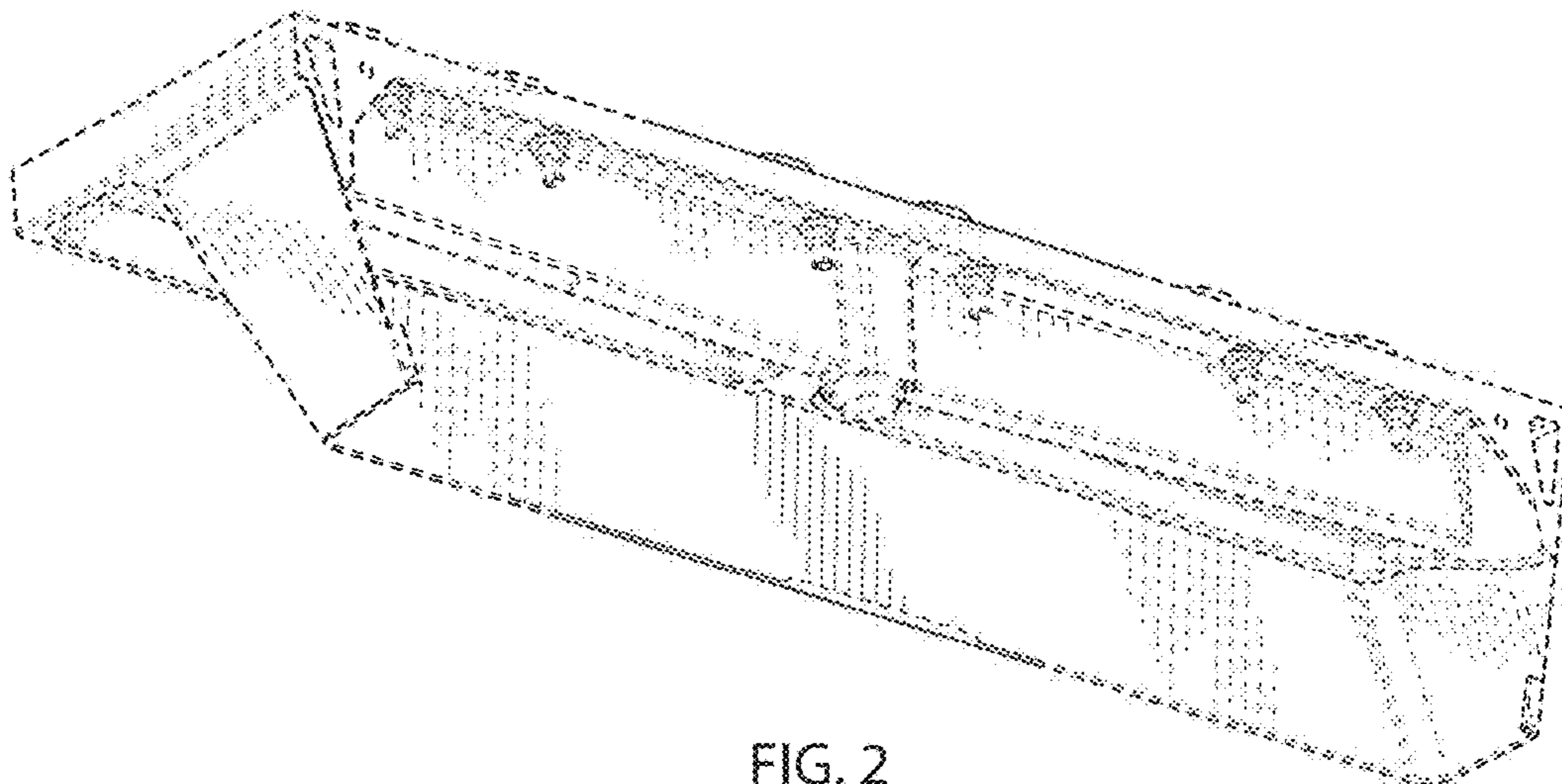


FIG. 2

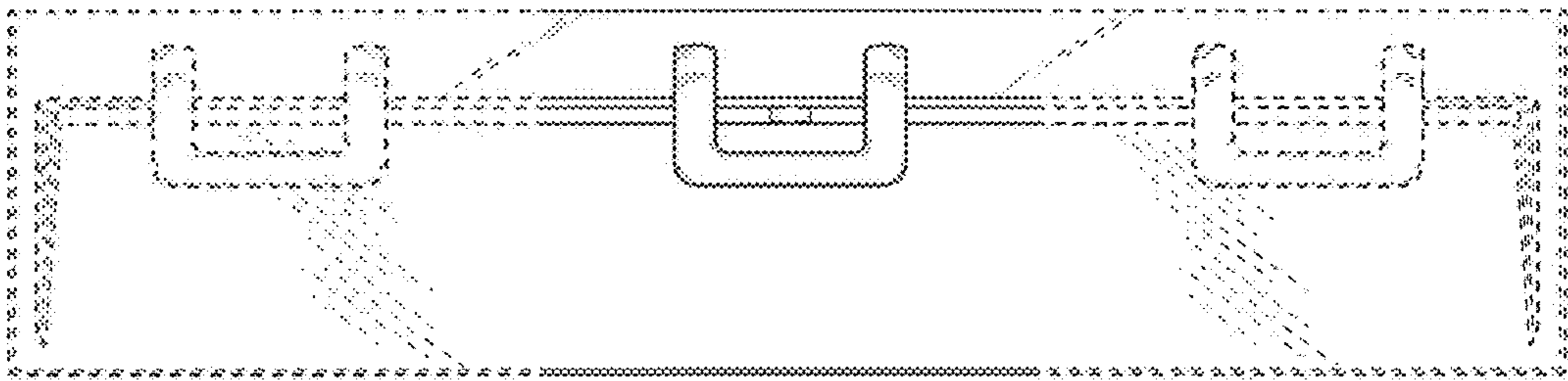


FIG. 3

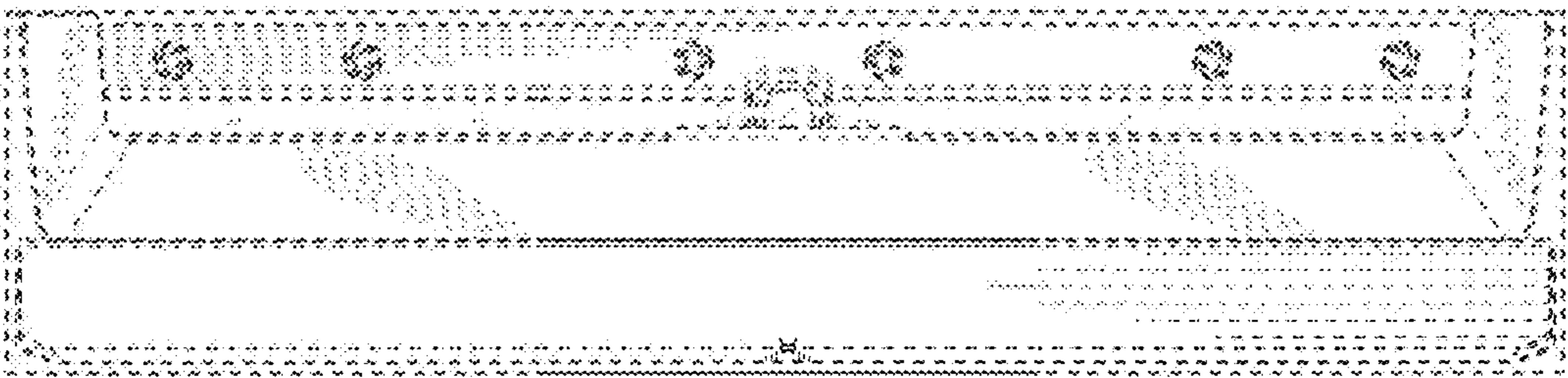


FIG. 4



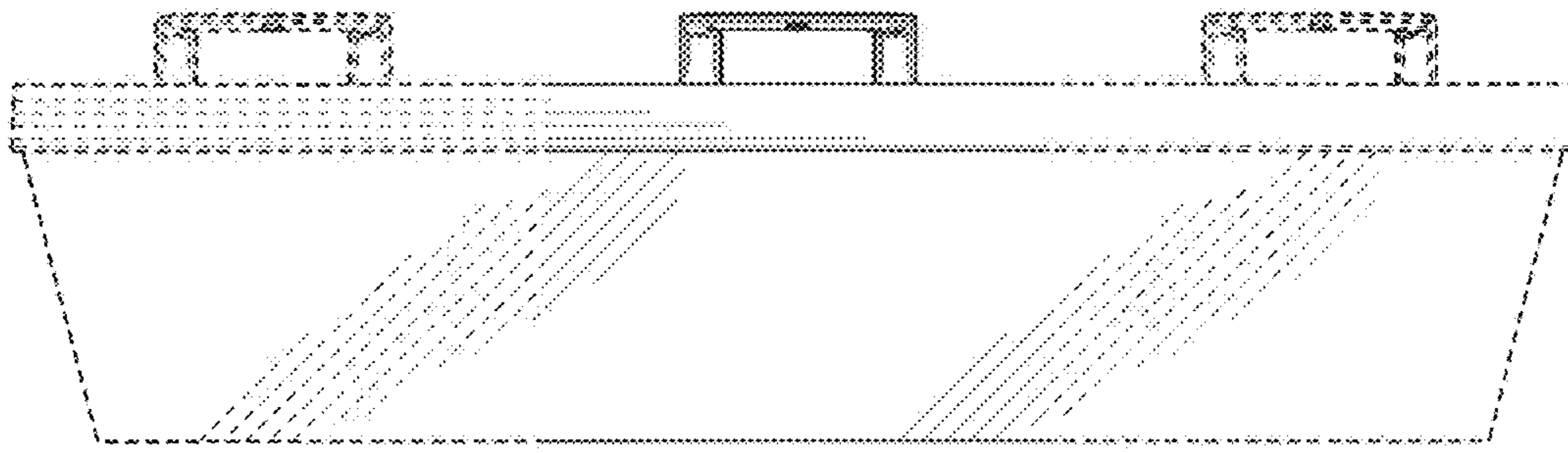


FIG. 5

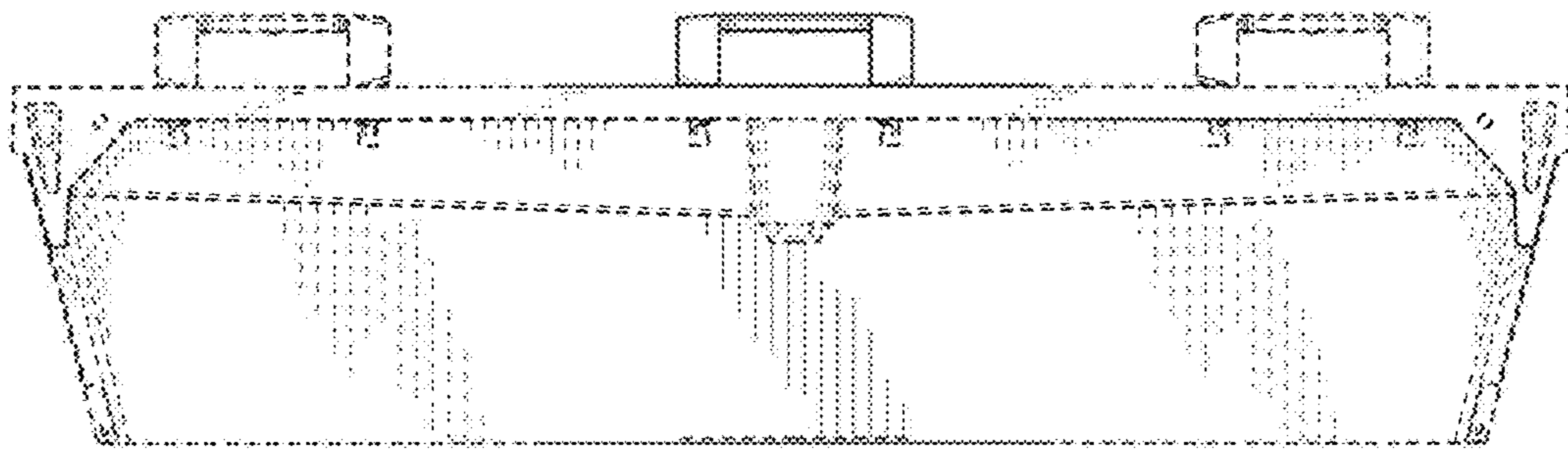


FIG. 6

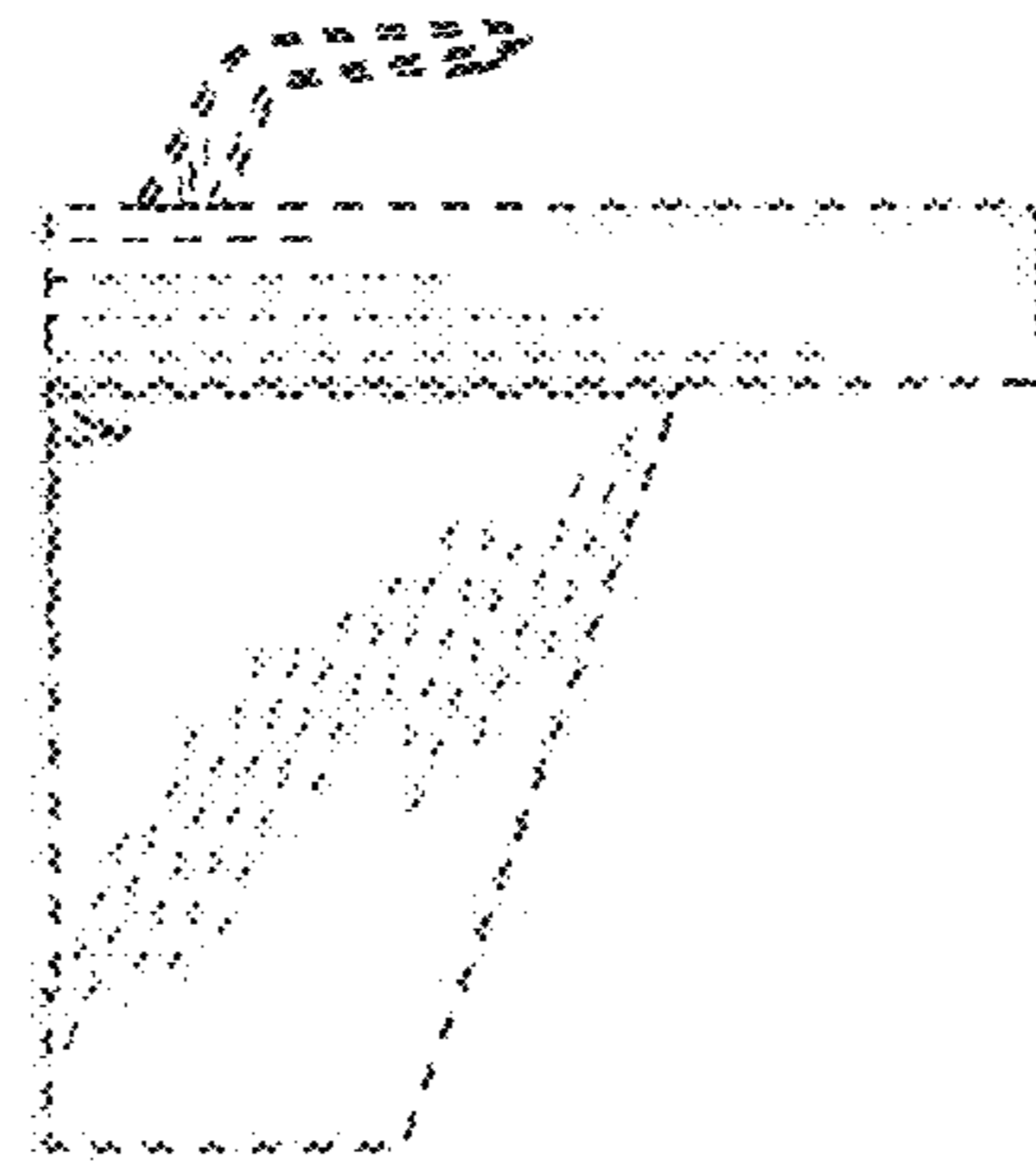


FIG. 7

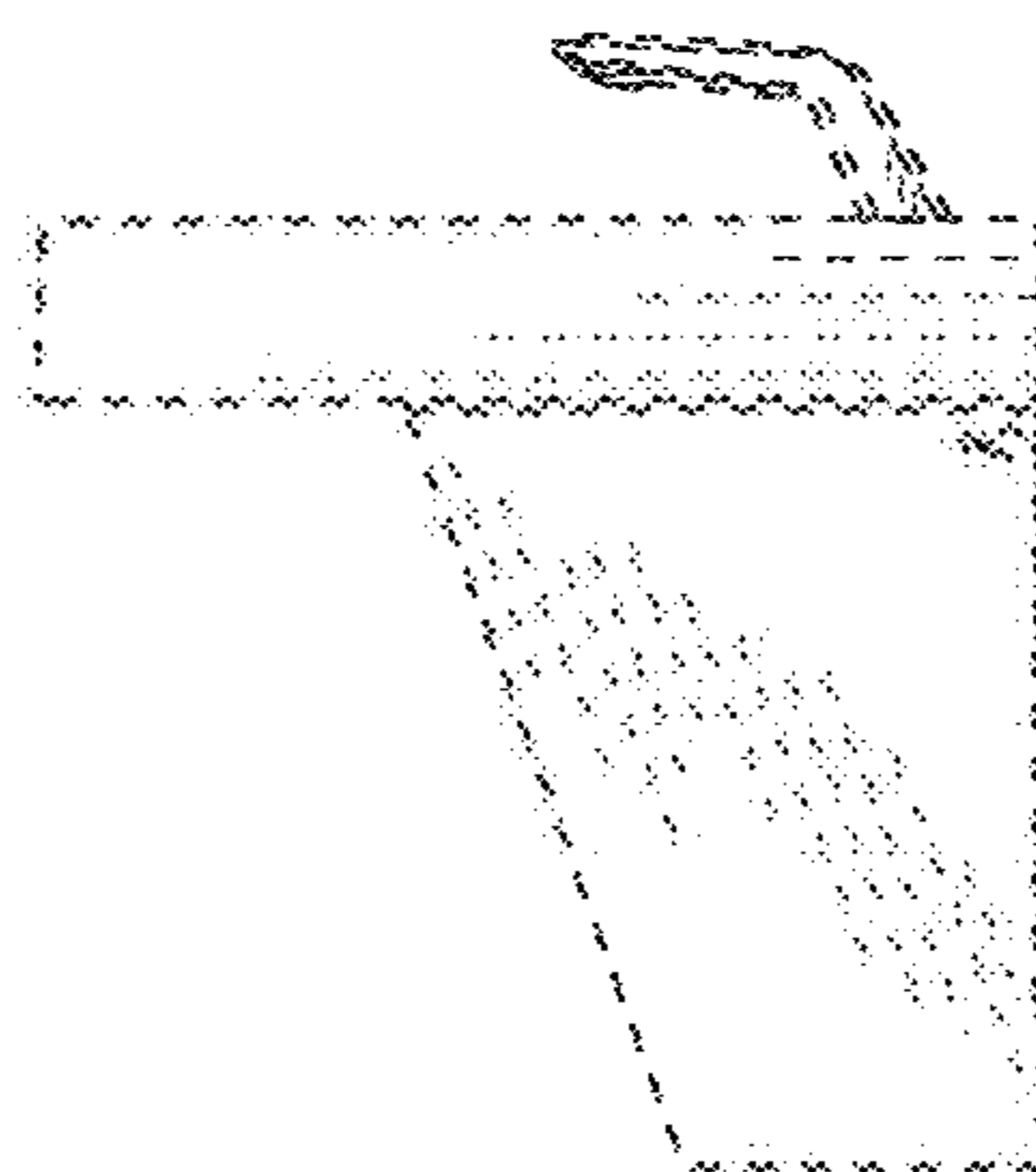


FIG. 8