



US00D813357S

(12) **United States Design Patent**  
**Bryant et al.**

(10) **Patent No.:** **US D813,357 S**  
(45) **Date of Patent:** **\*\* Mar. 20, 2018**

- (54) **FILTER KEY**
- (71) Applicant: **Zip Heaters Pty Limited**, New South Wales (AU)
- (72) Inventors: **Simon Bryant**, New South Wales (AU); **Kevin Moulton**, New South Wales (AU)
- (73) Assignee: **ZIP Heaters Aus. Pty. Ltd.**, Condell Park (AU)
- (\*\*) Term: **15 Years**
- (21) Appl. No.: **29/569,941**
- (22) Filed: **Jul. 1, 2016**
- (30) **Foreign Application Priority Data**

- 4,904,382 A \* 2/1990 Thomsen ..... B01D 35/13  
210/236
- 5,045,192 A \* 9/1991 Terhune ..... B01D 29/15  
210/232
- D322,836 S \* 12/1991 Petrucci ..... D23/209
- 5,486,288 A \* 1/1996 Stanford ..... B01D 35/13  
210/235
- D433,094 S \* 10/2000 Magnusson ..... D23/209
- 6,360,764 B1 \* 3/2002 Fritze ..... B01D 35/13  
137/15.01
- D455,814 S \* 4/2002 Magnusson ..... D23/209
- 6,458,269 B1 \* 10/2002 Bassett ..... B01D 27/08  
210/119
- D472,299 S \* 3/2003 Fritze ..... B01D 35/30  
D23/209
- D472,604 S \* 4/2003 Fritze ..... D23/209
- 7,407,148 B2 \* 8/2008 Bassett ..... B01D 27/08  
210/234
- D665,048 S \* 8/2012 Riedel ..... D23/209

(Continued)

- Feb. 22, 2016 (EM) ..... 002997155
- (51) **LOC (11) Cl.** ..... **23-01**
- (52) **U.S. Cl.**  
USPC ..... **D23/262**; D23/209
- (58) **Field of Classification Search**  
USPC ..... D23/207, 209, 210, 259, 262, 264  
CPC ..... B01D 2201/40; B01D 2201/4007; B01D  
2201/4015; B01D 2201/4023; B01D  
2201/4053; B01D 2201/4061; B01D  
29/15; B01D 35/30; B01D 35/306; F16L  
37/252  
See application file for complete search history.

*Primary Examiner* — Sheryl Lane  
*Assistant Examiner* — Calvin E Vansant  
 (74) *Attorney, Agent, or Firm* — Tarolli, Sundheim,  
 Covell & Tummino LLP; John A. Yirga, Esq.

(57) **CLAIM**

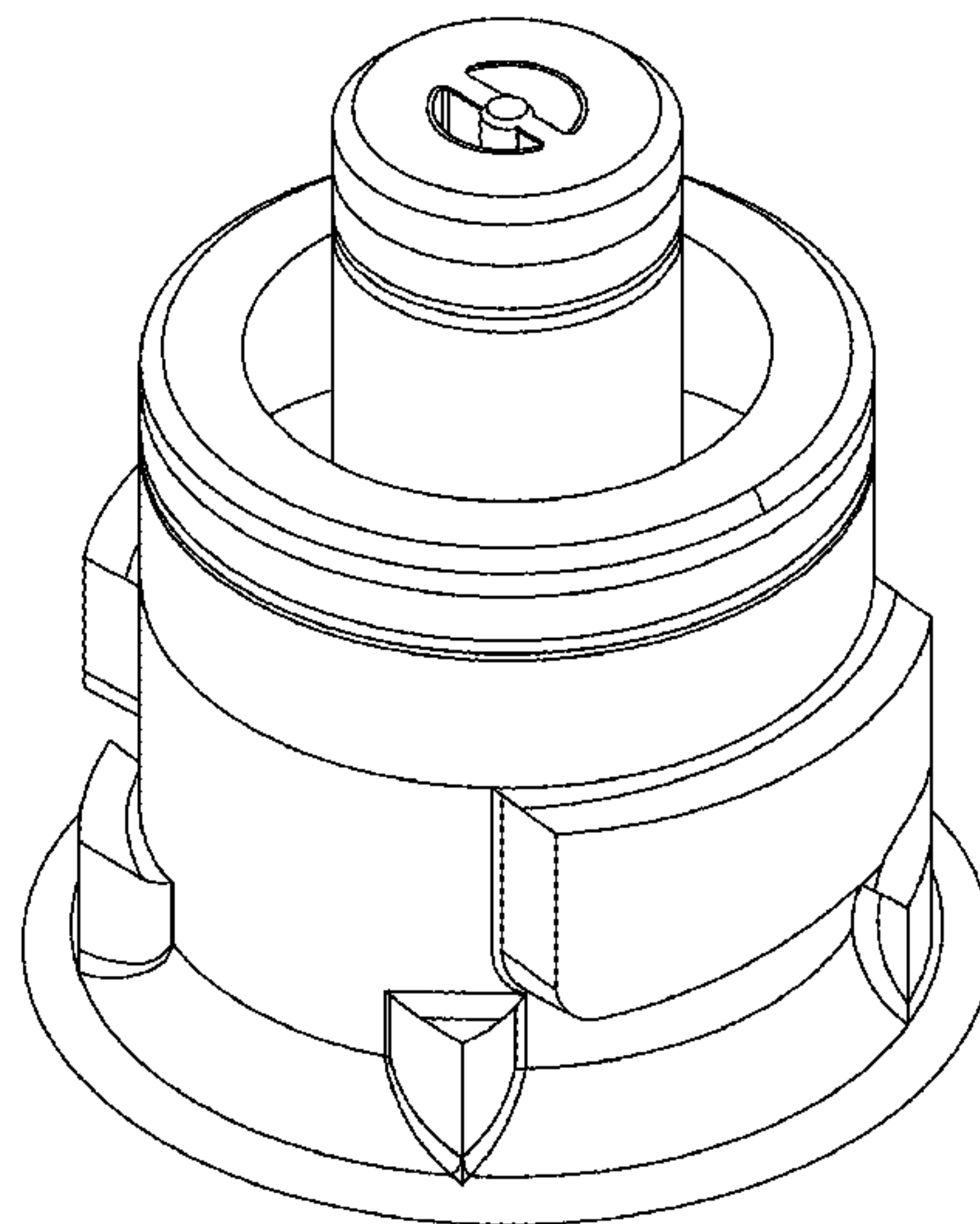
The ornamental design for a filter key, as shown and described.

**DESCRIPTION**

FIG. 1 is a perspective view of a filter key in accordance with the present disclosure;  
 FIG. 2 is a top plan view thereof;  
 FIG. 3 is a bottom plan view thereof;  
 FIG. 4 is a left side elevation view thereof;  
 FIG. 5 is a right side elevation view thereof;  
 FIG. 6 is a front elevation view thereof; and,  
 FIG. 7 is a rear elevation view thereof.  
 The portions of the filter key shown in broken lines form no part of the claimed design.

- (56) **References Cited**  
U.S. PATENT DOCUMENTS  
D127,470 S \* 5/1941 Carlson ..... D23/262  
3,162,470 A \* 12/1964 Owens ..... F16L 37/113  
285/272  
D237,552 S \* 11/1975 Willmott et al. .... D23/262  
4,857,189 A \* 8/1989 Thomsen ..... B01D 27/08  
210/232

**1 Claim, 7 Drawing Sheets**



(56)

**References Cited**

U.S. PATENT DOCUMENTS

8,246,883	B2 *	8/2012	Bassett	.....	B01D 35/30 210/312
D670,794	S *	11/2012	Antoniello	.....	D23/262
D679,779	S *	4/2013	Reid	.....	D23/209
D750,739	S *	3/2016	Baird	.....	D23/209
D764,021	S *	8/2016	Lu	.....	D23/209
D770,011	S *	10/2016	Nelson	.....	D23/209
D773,607	S *	12/2016	Lu	.....	D23/209
D773,608	S *	12/2016	Nelson	.....	D23/209
D779,640	S *	2/2017	Vaz	.....	D23/262
D780,887	S *	3/2017	Huda	.....	D23/209

\* cited by examiner

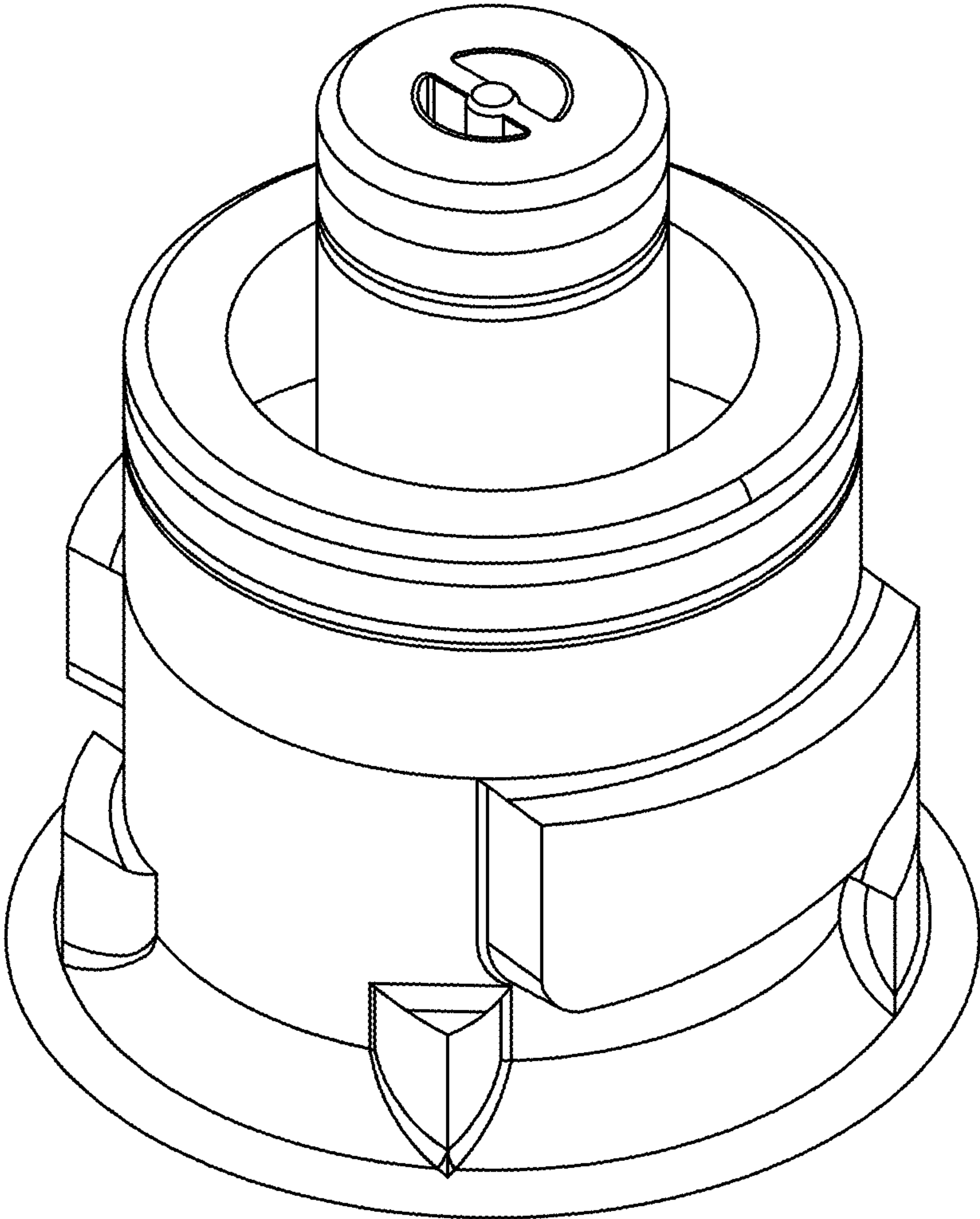


FIG. 1

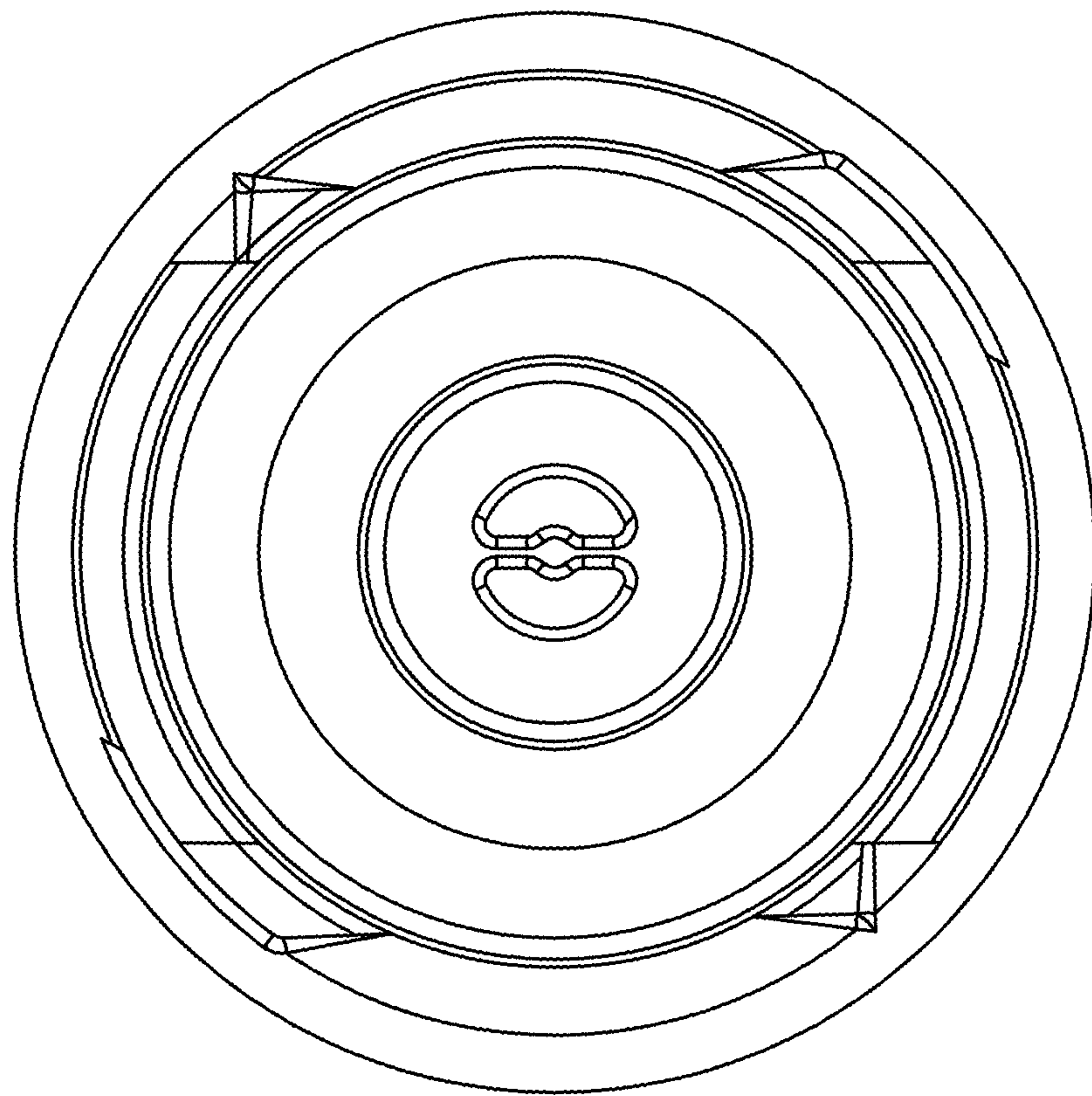


FIG. 2

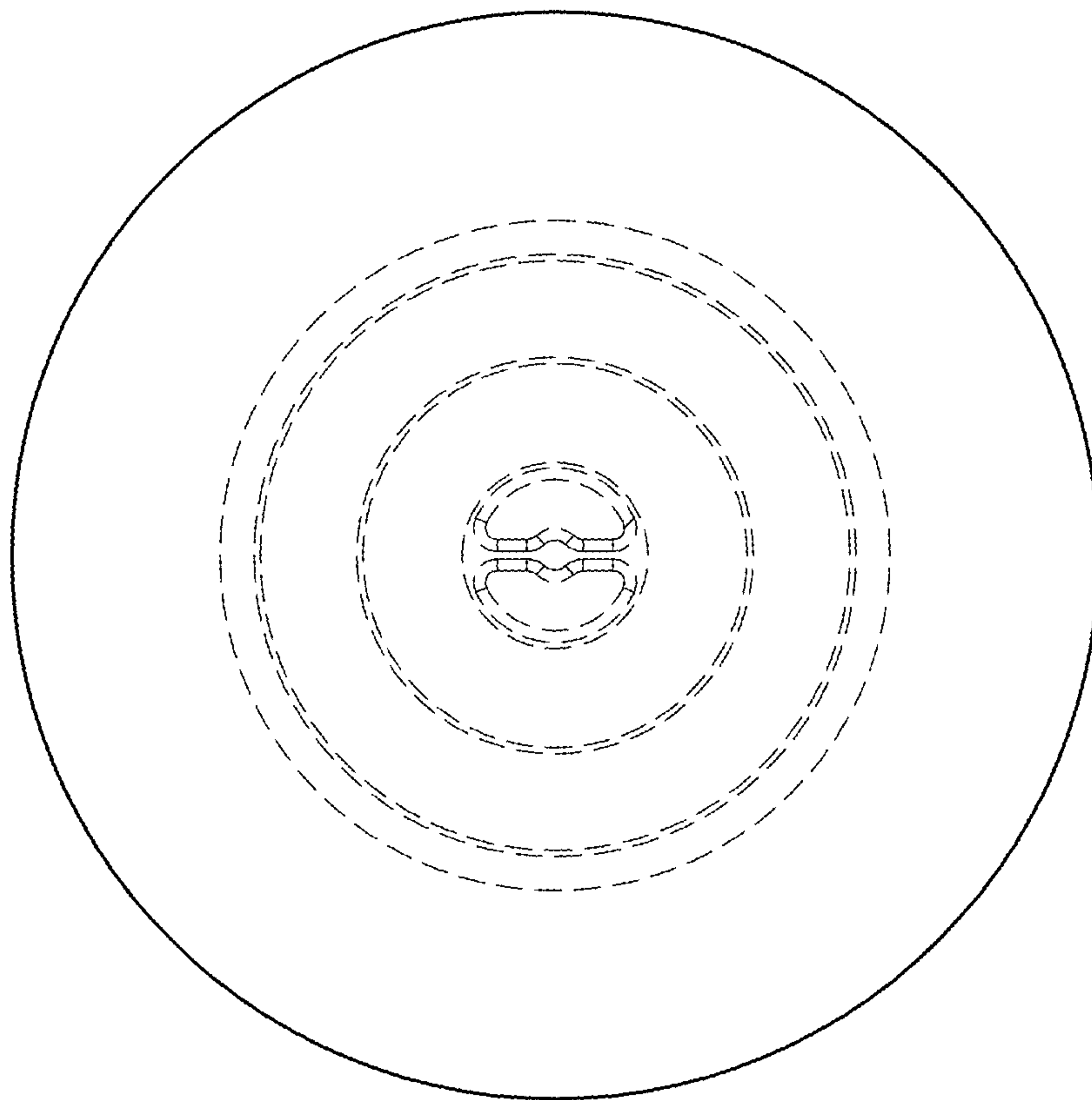


FIG. 3

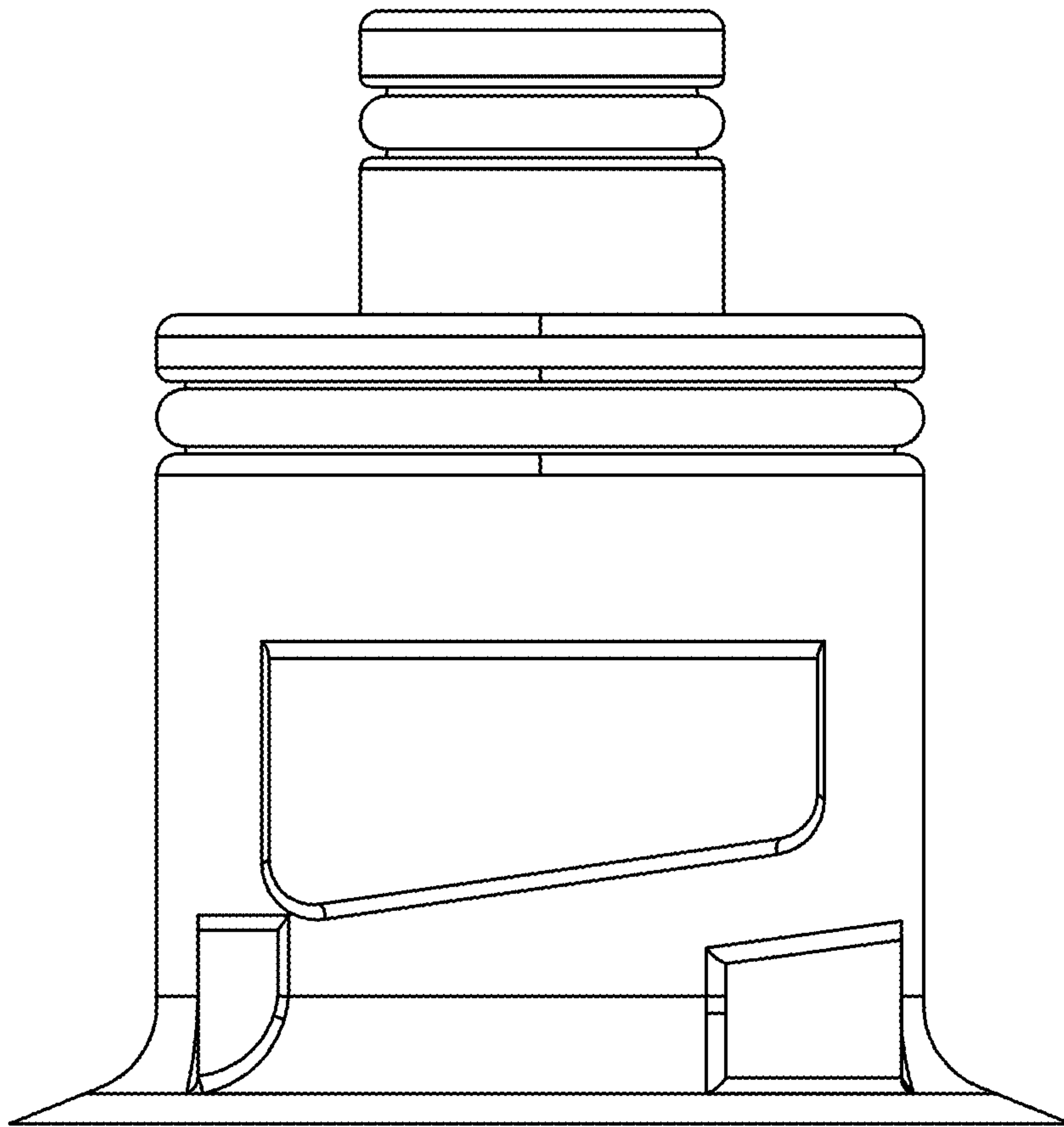


FIG. 4



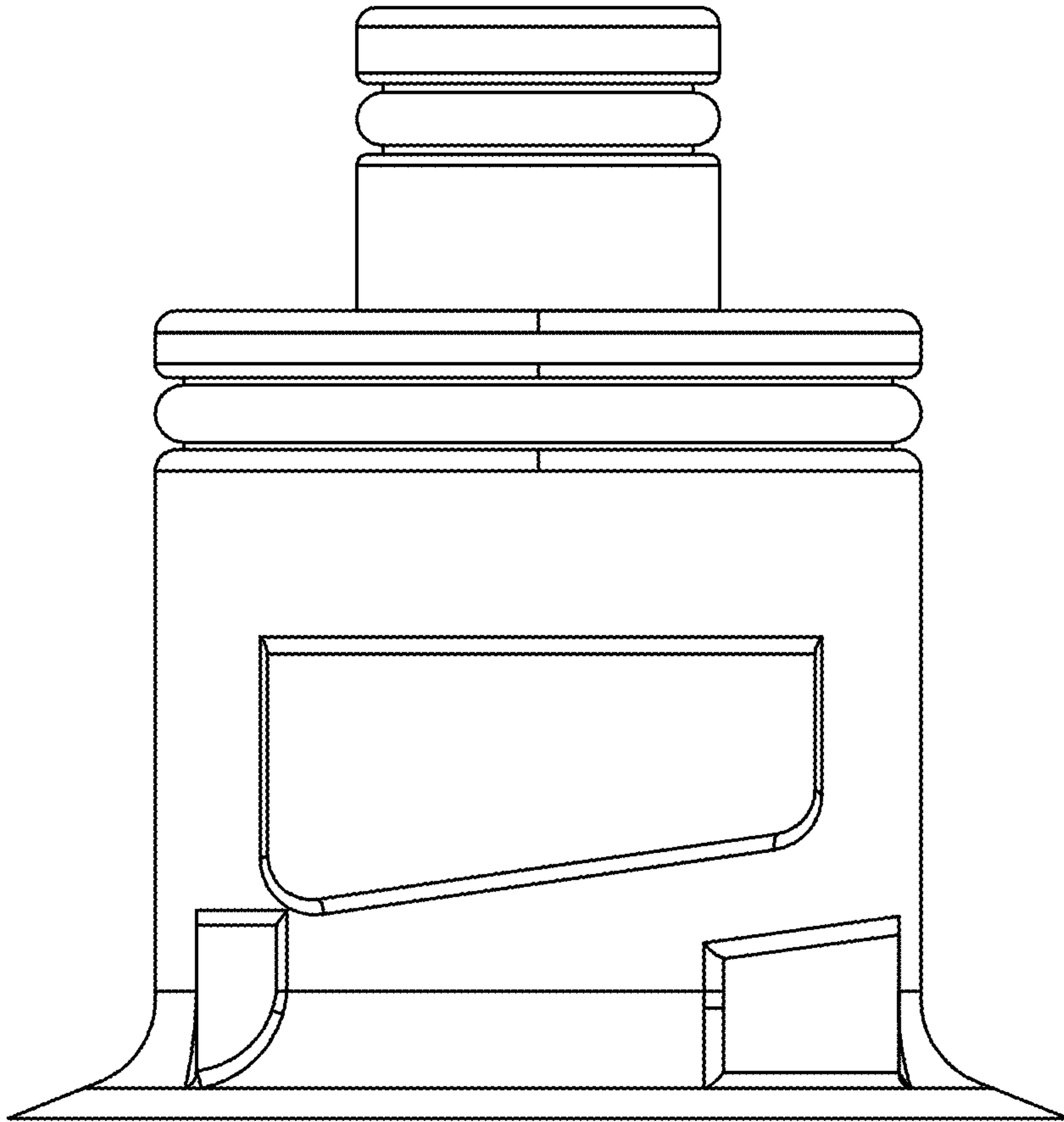


FIG. 5

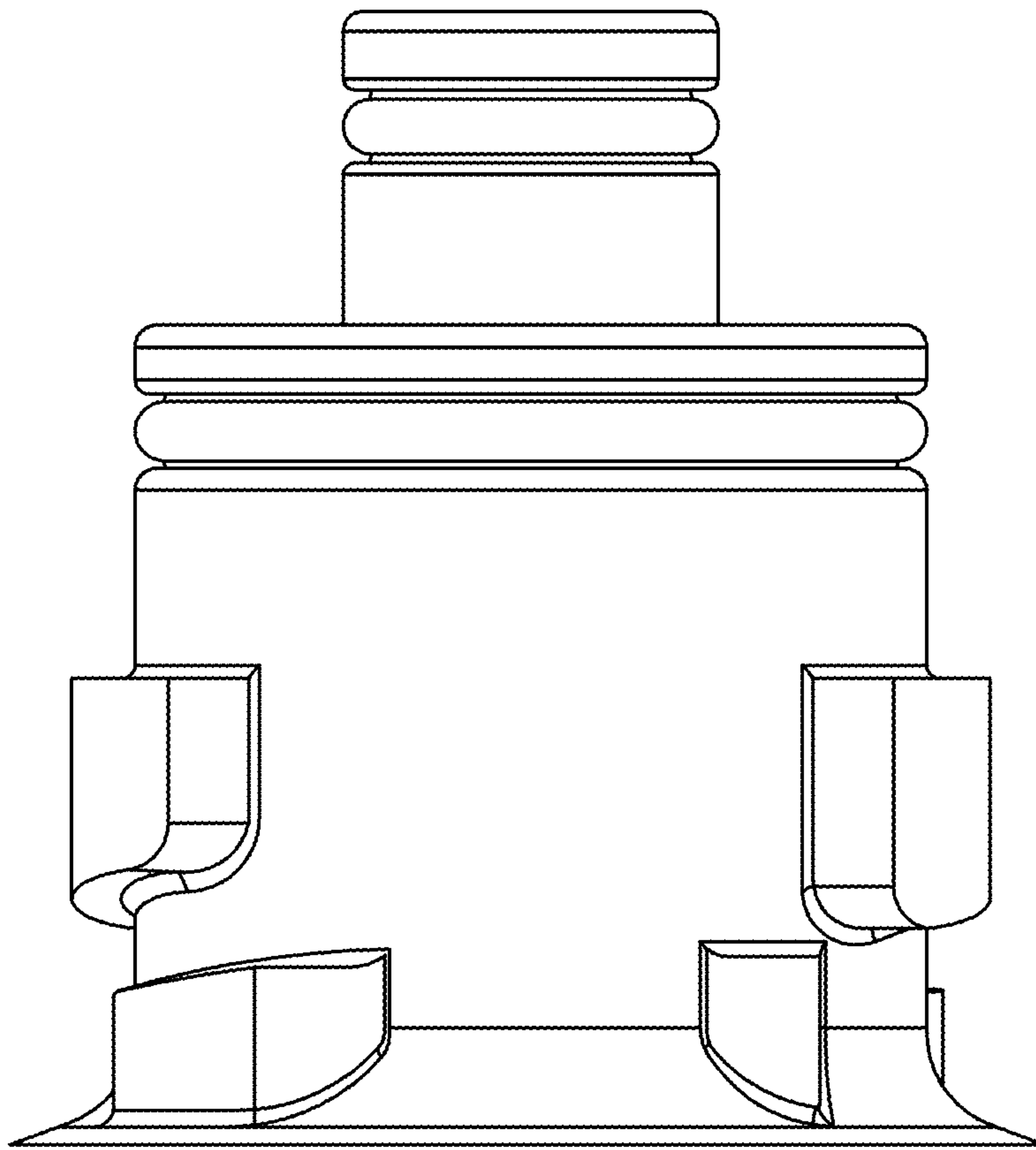


FIG. 6



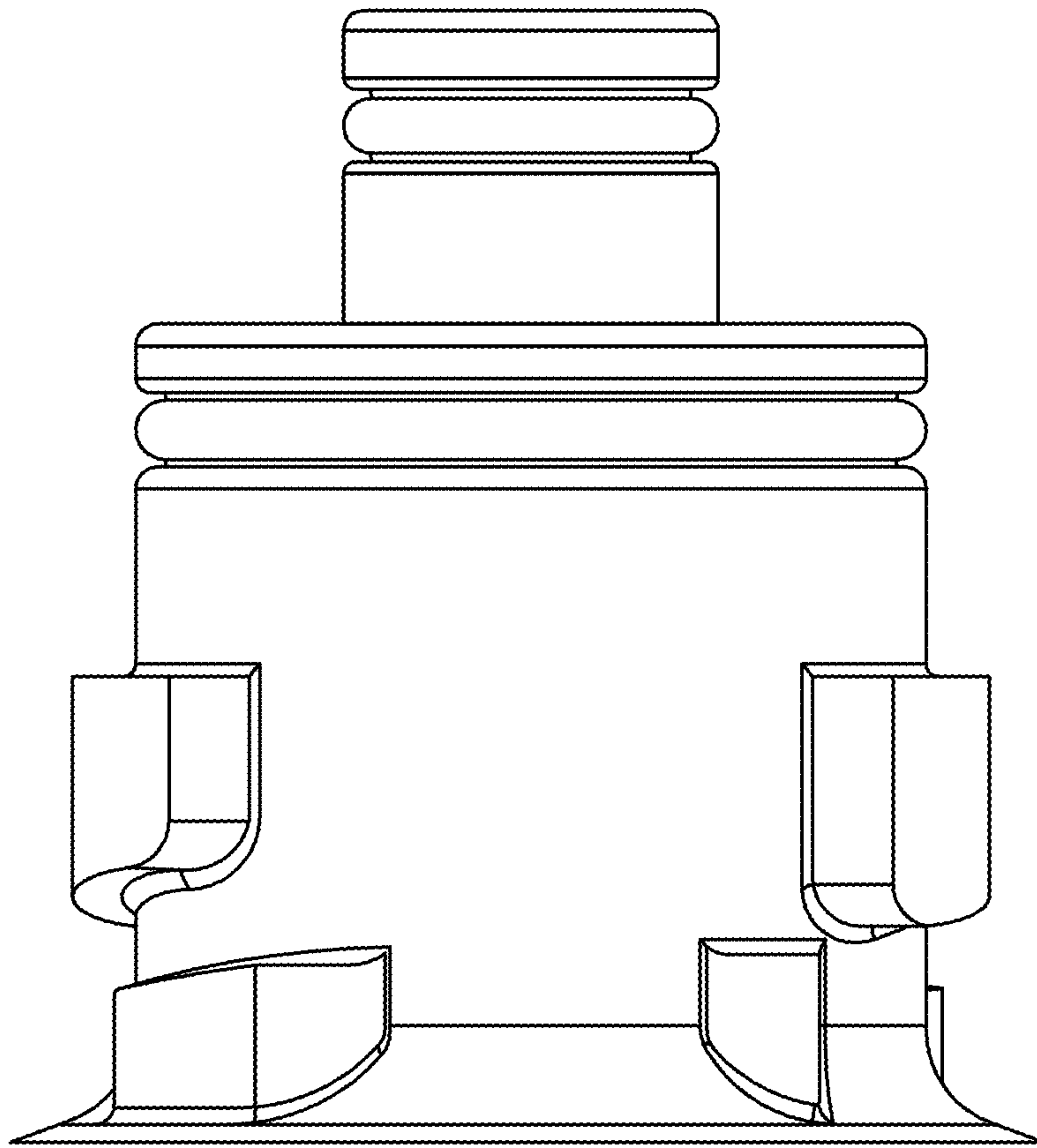


FIG. 7