



US00D813356S

(12) **United States Design Patent** (10) **Patent No.:** **US D813,356 S**
Adey et al. (45) **Date of Patent:** **** Mar. 20, 2018**

(54) **RELEASE TOOL** 4,544,483 A 10/1985 Arvai
4,881,573 A 11/1989 Durant et al.
(71) Applicant: **Adey Holdings (2008) Limited,** 5,201,552 A 4/1993 Hohmann et al.
Cheltenham (GB) 5,257,525 A 11/1993 Clarke
5,392,672 A * 2/1995 Larson B25B 13/461
(72) Inventors: **Christopher Adey,** Cheltenham (GB); D544,321 S * 6/2007 Wyss D8/14
Matthew Taylor, Cheltenham (GB); D710,969 S * 8/2014 Bradford D23/209
Simon Downie, Cheltenham (GB) D755,592 S * 5/2016 Bullard D8/17
D793,522 S * 8/2017 Adey D23/209
(73) Assignee: **ADEY HOLDINGS (2008) LIMITED,** D794,165 S * 8/2017 Adey D23/233
Cheltenham (GB) (Continued)

(**) Term: **15 Years**

FOREIGN PATENT DOCUMENTS

(21) Appl. No.: **29/560,403**

BE 546074 A 10/1959
DE 4310795 C1 7/1994

(22) Filed: **Apr. 6, 2016**

(Continued)

Related U.S. Application Data

Primary Examiner — Eric L Goodman
Assistant Examiner — Amy C Wierenga
(74) *Attorney, Agent, or Firm* — Michael E. Dockins;
Shumaker, Loop & Kendrick, LLP

(63) Continuation of application No. 14/402,955, filed as application No. PCT/GB2013/051330 on May 21, 2013.

(51) **LOC (11) Cl.** **23-01**

(57) **CLAIM**

(52) **U.S. Cl.**
USPC **D23/259**

The ornamental design for a release tool, as shown and described.

(58) **Field of Classification Search**
USPC D23/206–207, 209, 233, 237, 259, 262,
D23/265; D8/2, 14, 17, 19, 21, 24, 27,
D8/382; 210/223, 512.1
CPC B01D 21/29; B01D 21/26; B25B 13/00;
B25B 13/463; B25B 13/50; B25B 13/18;
B25B 13/505; B25B 13/346; B25B
13/5016; B25B 27/0042; B21D 39/046;
F16L 29/007; B04C 5/14; B04C 4/185
See application file for complete search history.

DESCRIPTION

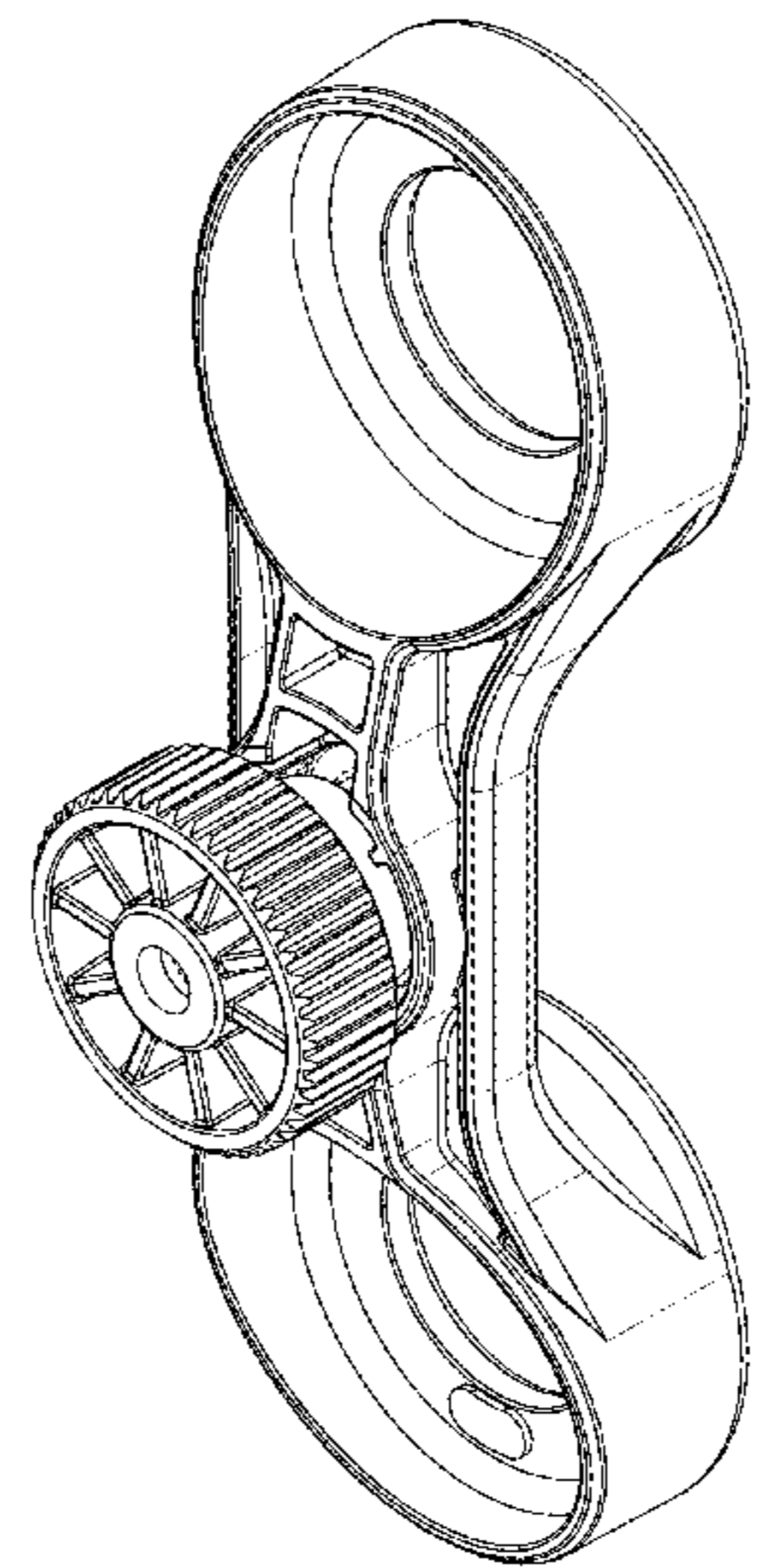
FIG. 1 is a front perspective view of a release tool showing our new design;
FIG. 2 is a front elevational view thereof;
FIG. 3 is a rear elevational view thereof;
FIG. 4 is a left-side elevational view thereof;
FIG. 5 is a right-side elevational view thereof;
FIG. 6 is a top plan view thereof;
FIG. 7 is a bottom plan view thereof;
FIG. 8 is a rear perspective view thereof; and,
FIG. 9 is a front right perspective view thereof.
The broken lines shown in the drawings depict portions of the release tool that form no part of the claim.

(56) **References Cited**

U.S. PATENT DOCUMENTS

3,339,740 A 9/1967 Starzyk
3,696,927 A 10/1972 Jakobsson et al.

1 Claim, 9 Drawing Sheets



(56)

References Cited

U.S. PATENT DOCUMENTS

D795,999 S * 8/2017 Downie D23/209
D796,281 S * 9/2017 Downie D8/21
2005/0167352 A1 8/2005 Burrows et al.
2008/0000820 A1 1/2008 Mitchell
2012/0067802 A1 3/2012 Irvin
2015/0151220 A1* 6/2015 Adey B03C 1/286
210/512.1
2017/0152977 A1* 6/2017 Adey F16L 29/007

FOREIGN PATENT DOCUMENTS

EP 2453157 A2 5/2012
FR 2693662 A1 1/1994
GB 274729 A 7/1927
GB 737822 A 10/1955
GB 2349685 A 11/2000
GB 2469145 A 10/2010
GB 2491246 A 11/2012
WO 8402855 A1 8/1984
WO 9942198 A1 8/1999
WO 0045937 A1 8/2000
WO 2012073029 A1 6/2012

* cited by examiner

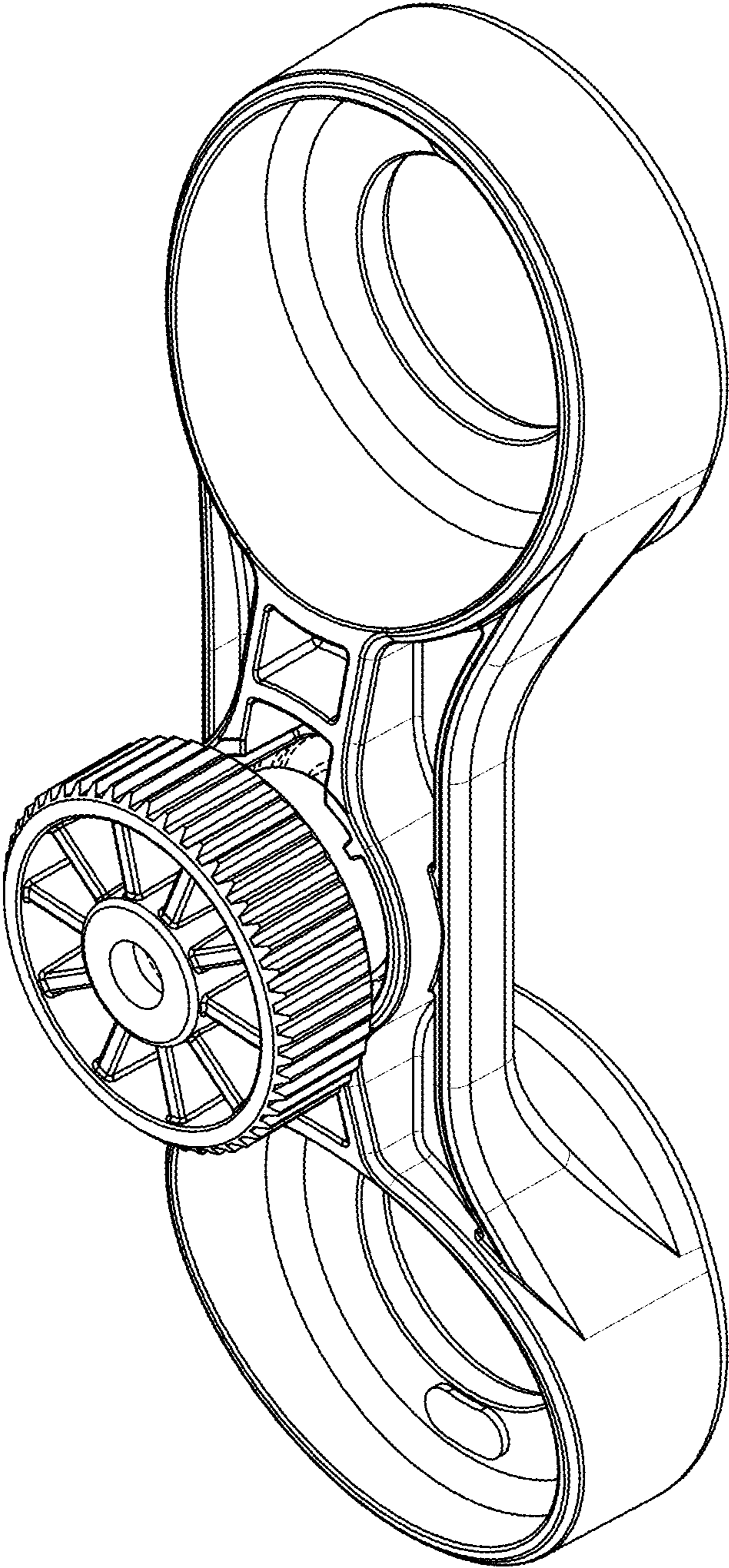


FIG. 1

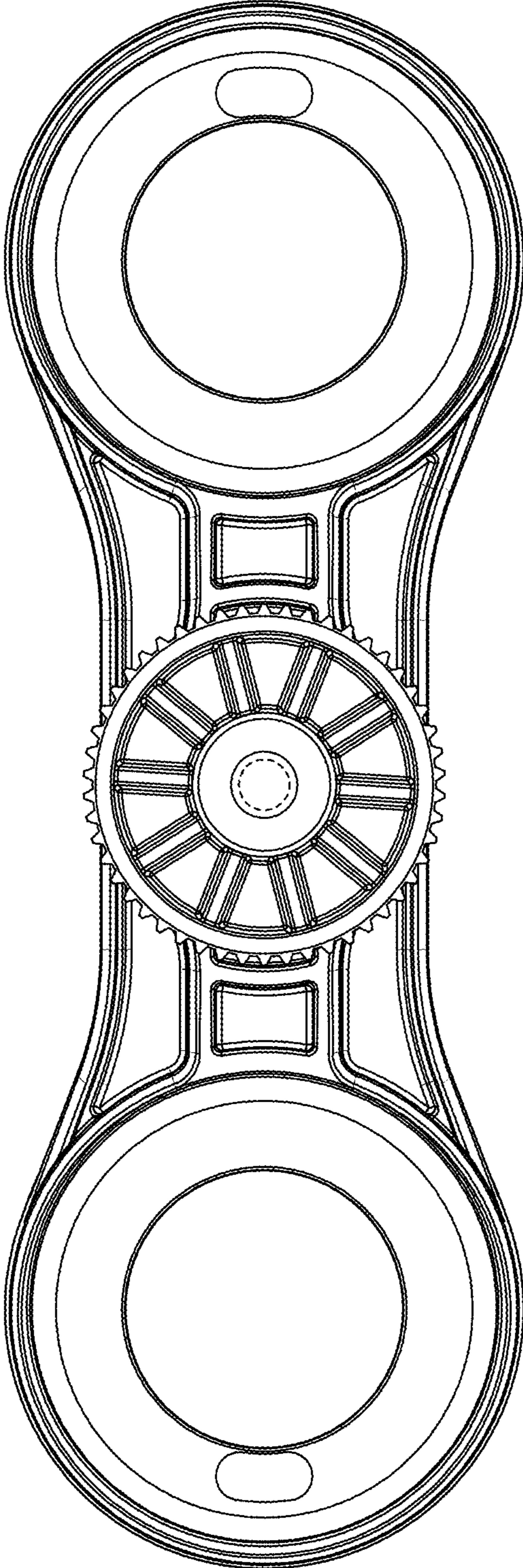


FIG. 2

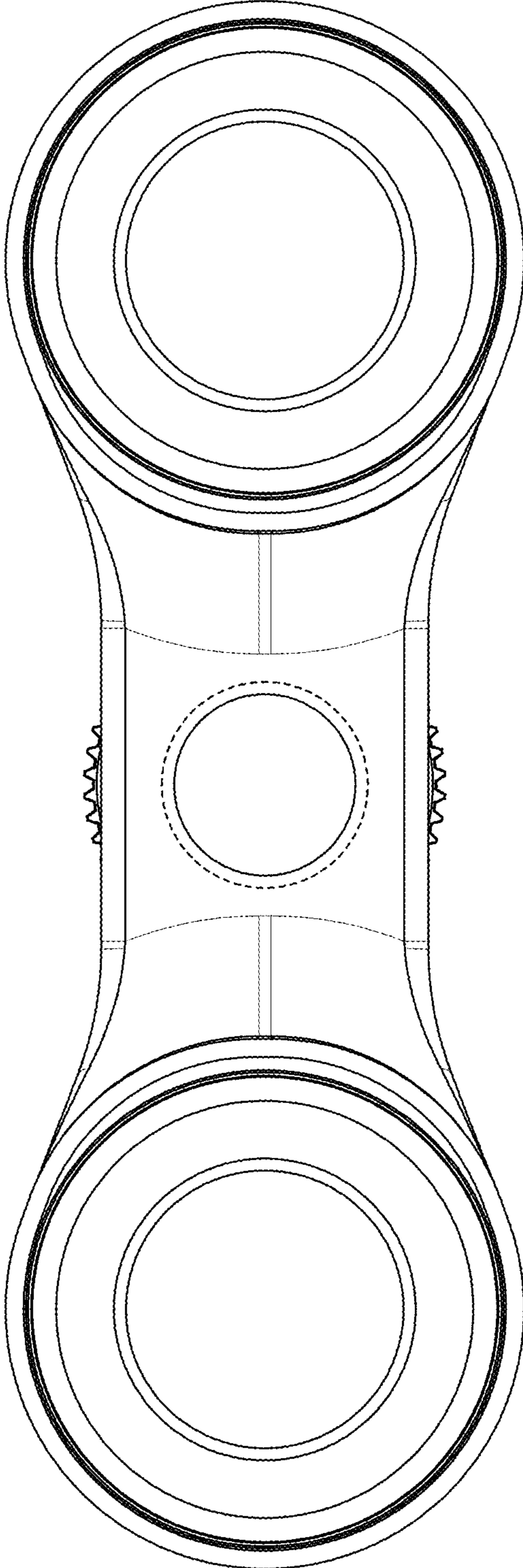


FIG. 3

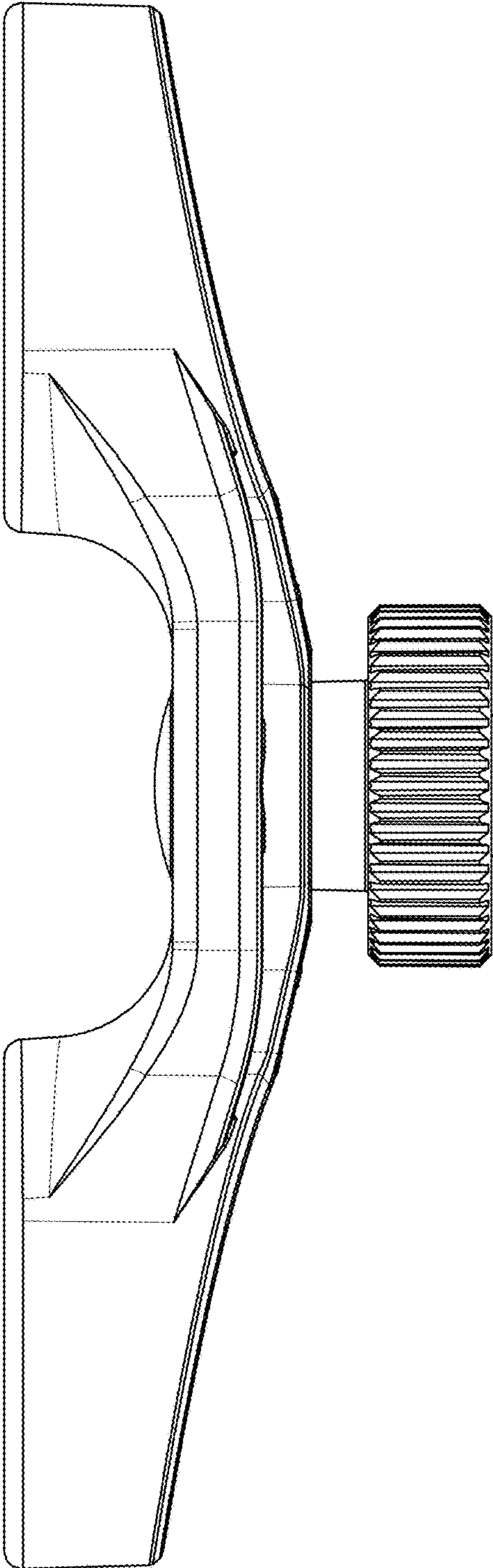


FIG. 4

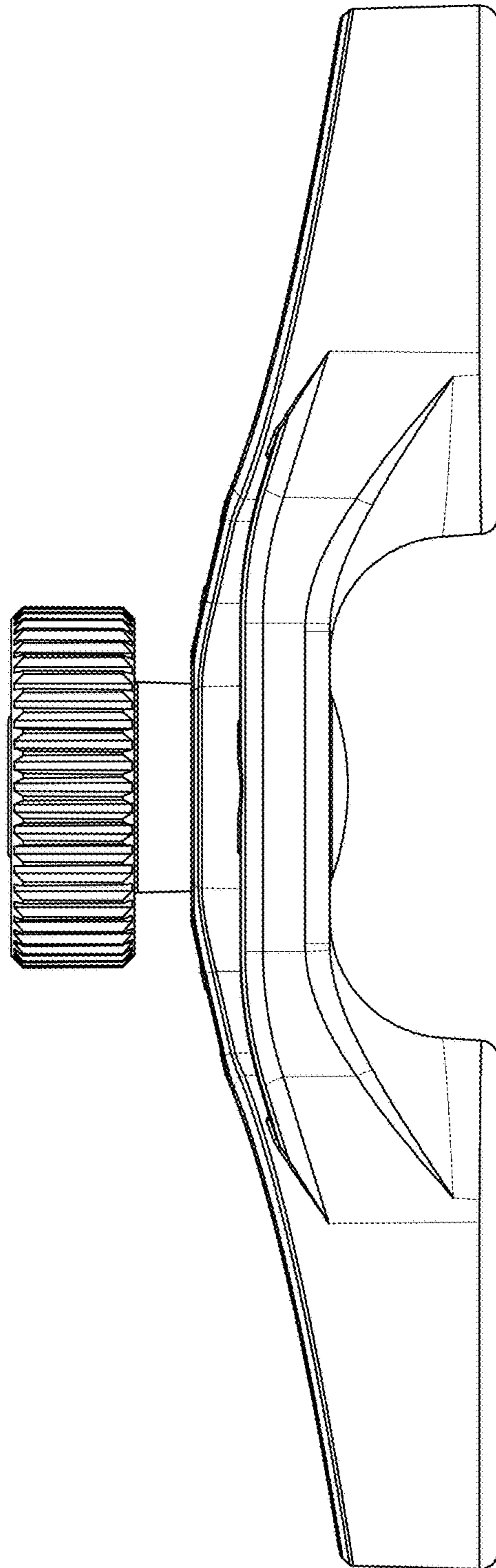


FIG. 5

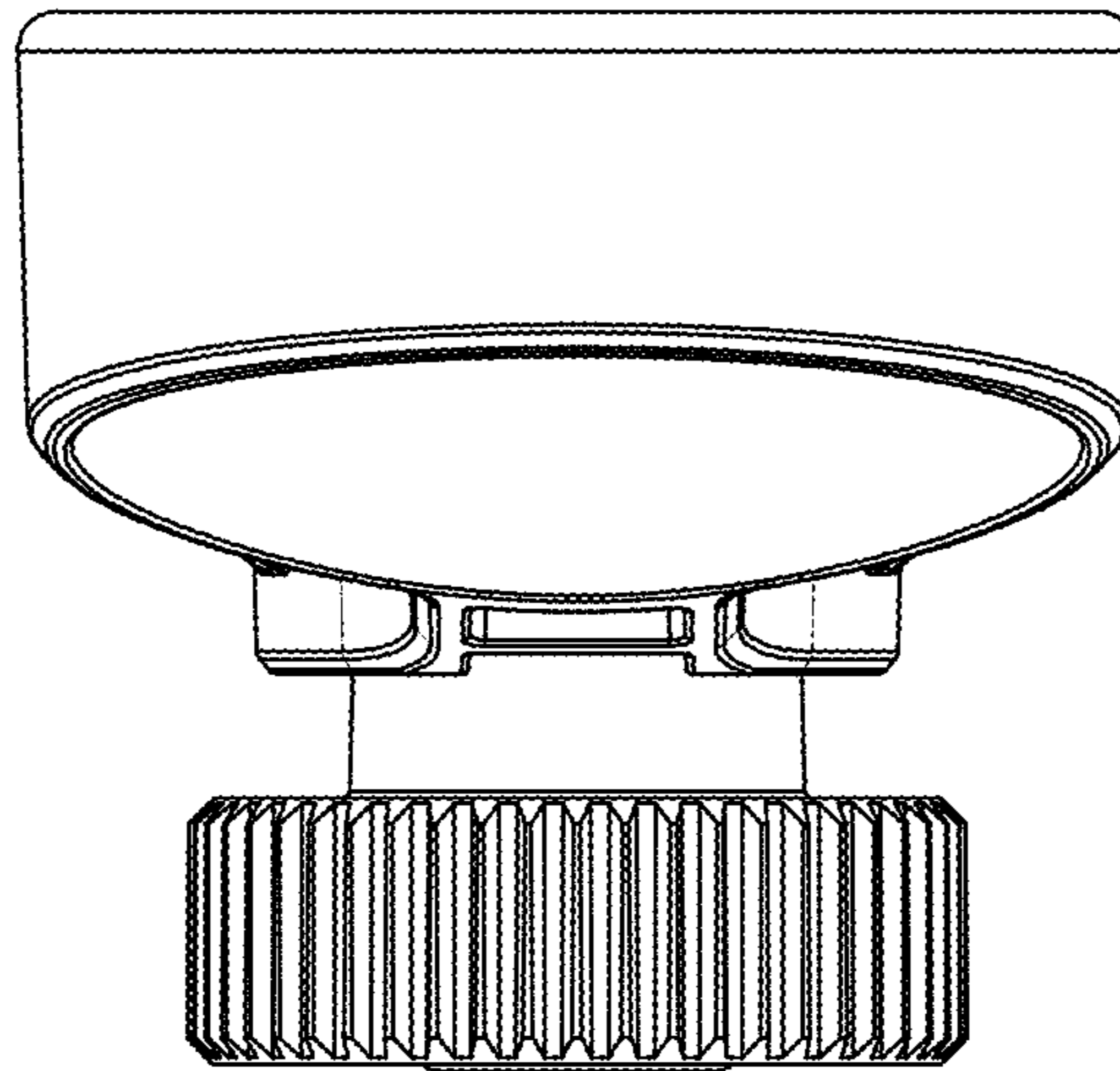


FIG. 6

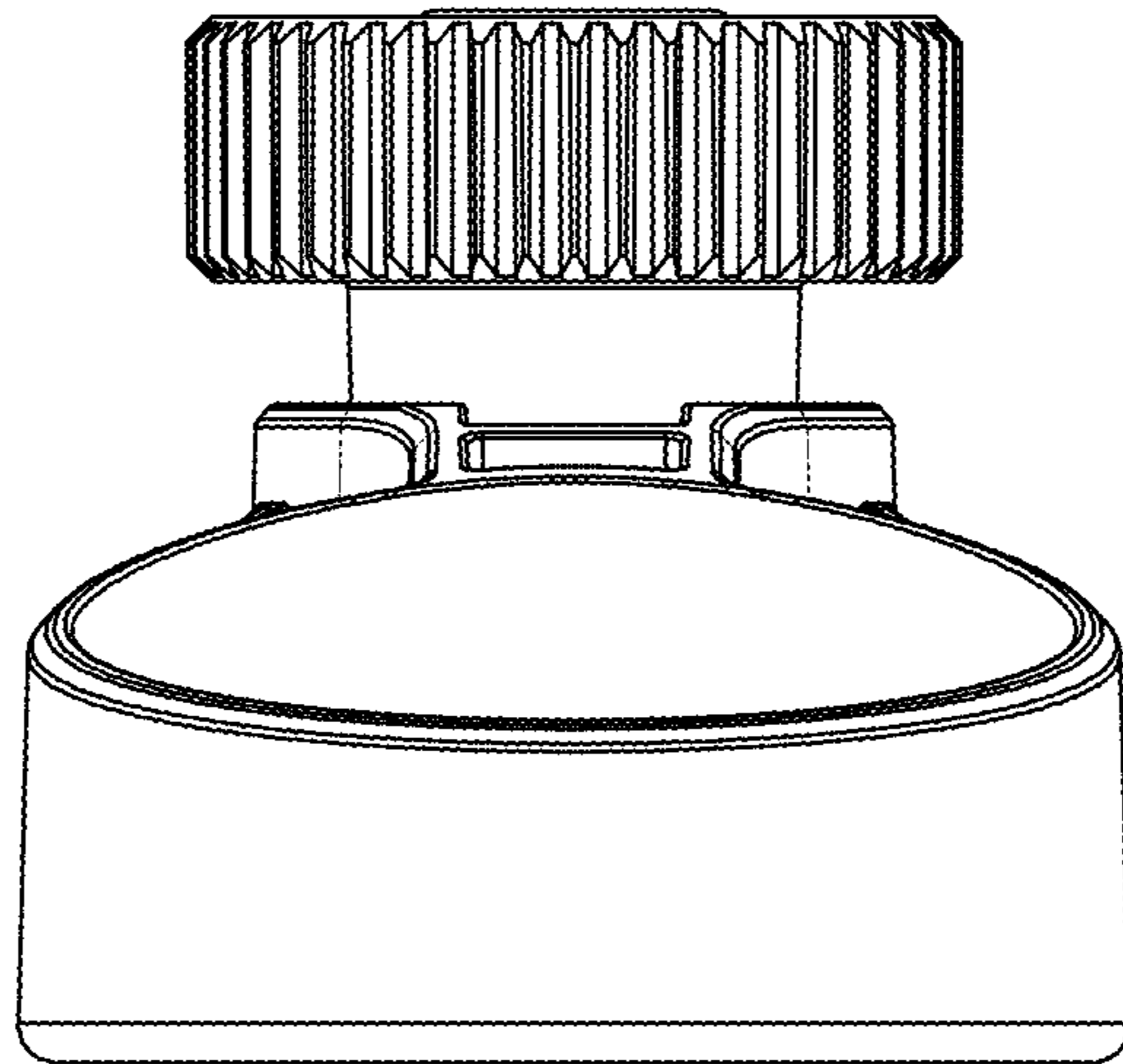


FIG. 7

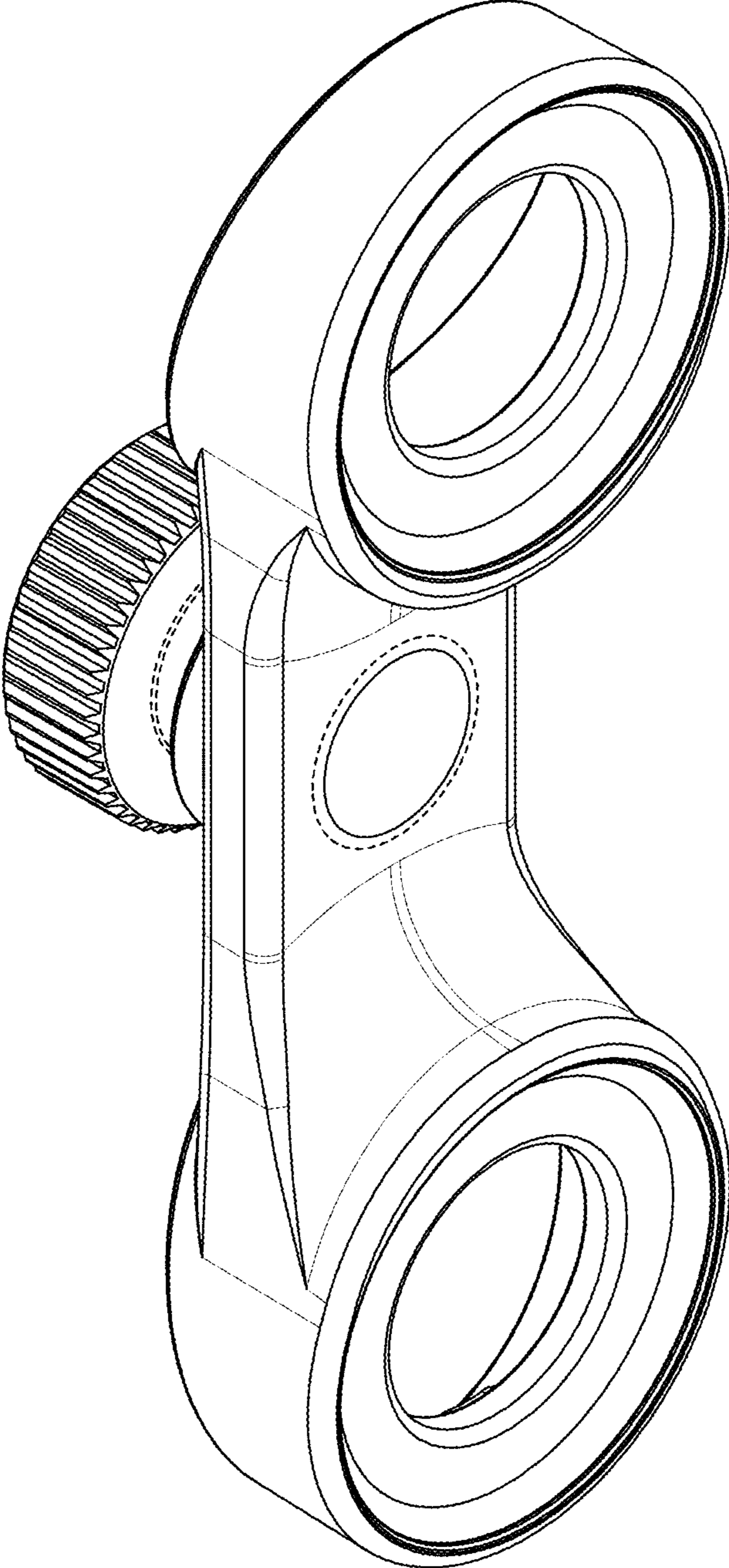


FIG. 8

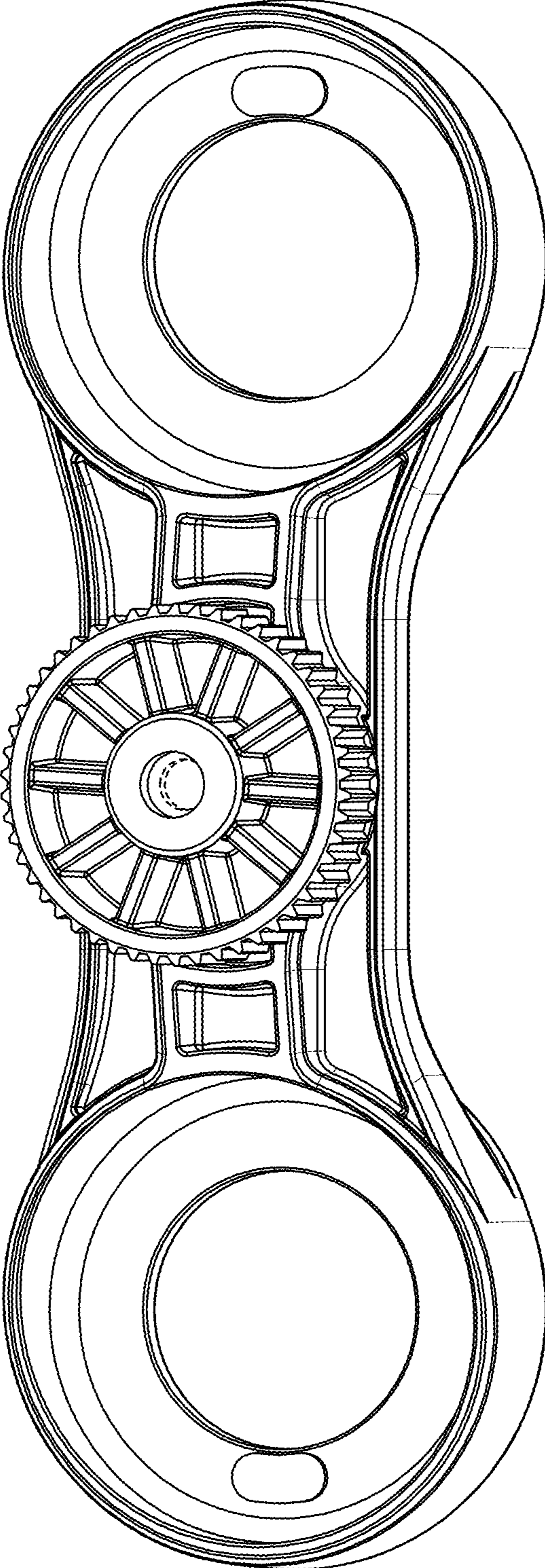


FIG. 9