



US00D813355S

(12) **United States Design Patent**
Weatherby et al.

(10) **Patent No.:** **US D813,355 S**
(45) **Date of Patent:** **** Mar. 20, 2018**

(54) **PIPE FITTING**

(71) Applicant: **Haydale Composite Solutions, Ltd.**,
Leicestershire (GB)

(72) Inventors: **Nicholas Leo Weatherby**, Nottingham
(GB); **David Ronald Chambers**,
Nottingham (GB); **James Robert**
Strange Mortimer, Nottingham (GB);
Stuart Ward, Leicestershire (GB)

(73) Assignee: **HAYDALE COMPOSITE**
SOLUTIONS, LTD., Leicestershire
(GB)

(**) Term: **15 Years**

(21) Appl. No.: **29/546,674**

(22) Filed: **Nov. 24, 2015**

(30) **Foreign Application Priority Data**

May 29, 2015 (EM) 2710053-0001

(51) **LOC (11) Cl.** **23-01**

(52) **U.S. Cl.**
USPC **D23/259**

(58) **Field of Classification Search**
USPC D23/230, 233, 258–262, 265–269, 393;
4/570, 695–696; 285/356
CPC F16L 21/02; F16L 21/04
See application file for complete search history.

(56) **References Cited**

U.S. PATENT DOCUMENTS

2,861,822 A * 11/1958 Risley F16L 21/04
285/342
D208,388 S * 8/1967 Graham D23/265
4,240,650 A 12/1980 Adams
4,714,229 A 12/1987 Force et al.
5,190,324 A 3/1993 Bird et al.

D383,196 S * 9/1997 Sonden D23/202
D513,793 S * 1/2006 Copeland D23/262
D514,669 S * 2/2006 Copeland D23/262
(Continued)

FOREIGN PATENT DOCUMENTS

AU 2015100019 A4 1/2015
EP 1 512 434 A1 3/2005
(Continued)

OTHER PUBLICATIONS

International Search Report and Written Opinion dated Nov. 16,
2016, for corresponding European Patent Application No. PCT/
GB2016/052632.

(Continued)

Primary Examiner — Eric L Goodman
Assistant Examiner — Amy C Wierenga
(74) *Attorney, Agent, or Firm* — Renner, Otto, Boisselle
& Sklar, LLP.

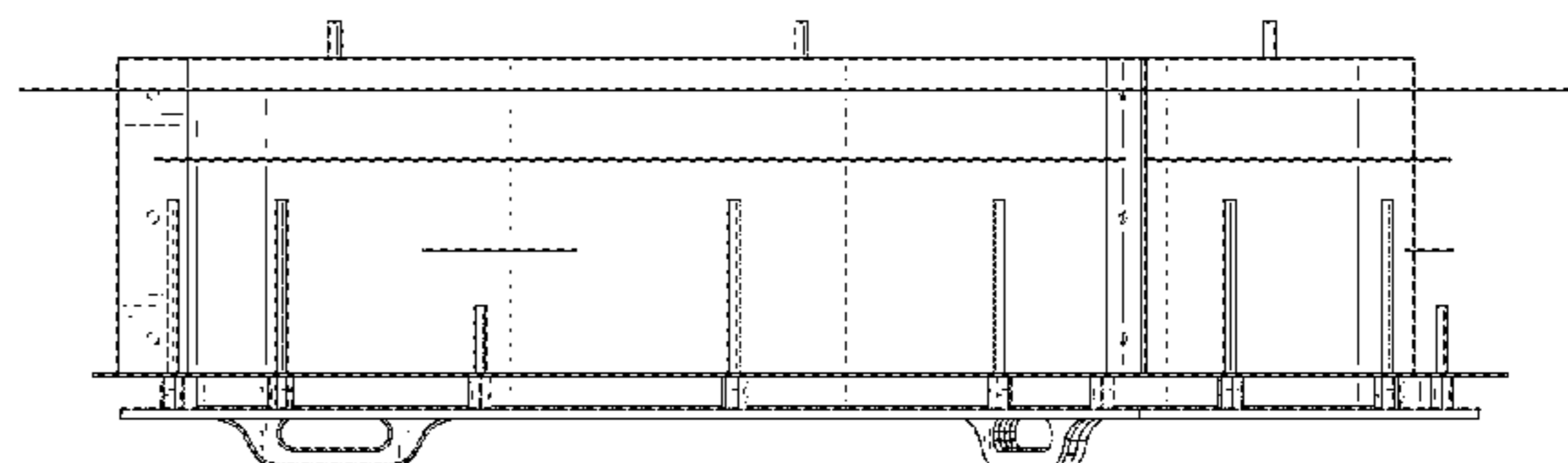
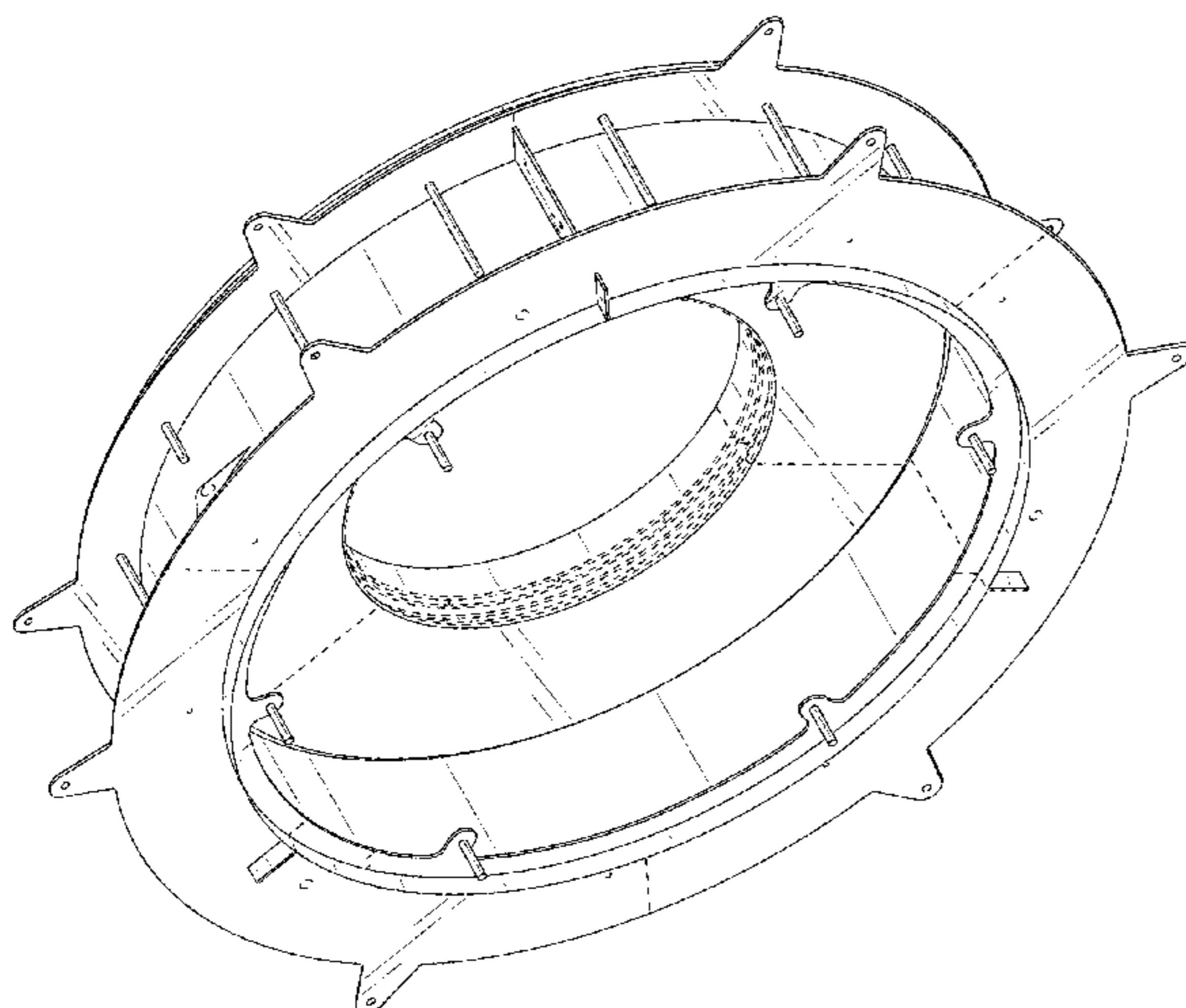
(57) **CLAIM**

The ornamental design for a pipe fitting, as shown and
described.

DESCRIPTION

FIG. 1 is a perspective view of the pipe fitting showing the
design.
FIG. 2 is a front view of the pipe fitting shown in FIG. 1;
FIG. 3 is a rear view of the pipe fitting shown in FIG. 1;
FIG. 4 is a left side view of the pipe fitting shown in FIG.
1;
FIG. 5 is a right side view of the pipe fitting shown in FIG.
1;
FIG. 6 is a top side view of the pipe fitting of FIG. 1; and,
FIG. 7 is a bottom view of the pipe fitting of FIG. 1.
The dashed broken lines shown in the drawings depict
portions of the pipe fitting that form no part of the claim.

1 Claim, 7 Drawing Sheets



(56)

References Cited

U.S. PATENT DOCUMENTS

D515,673 S * 2/2006 Copeland D23/262
D532,684 S * 11/2006 Barnes D8/397
D553,238 S * 10/2007 Haggkvist D23/386
7,712,791 B1 5/2010 Whitehead
D620,086 S * 7/2010 Copeland D23/266
8,566,976 B2 * 10/2013 Evans E03F 5/0407
285/261
D747,183 S * 1/2016 Davidson D8/397
9,458,610 B2 * 10/2016 Malaker E03C 1/021
2010/0006807 A1 1/2010 Claxton
2013/0154260 A1 * 6/2013 Jamison F16L 21/02
285/374

FOREIGN PATENT DOCUMENTS

EP 1 837 572 A1 9/2007
GB 2312484 A 10/1997
IE 2010/0541 A1 3/2011
WO 2008/140399 A1 11/2008

OTHER PUBLICATIONS

Combined Search and Examination Report dated Feb. 8, 2016, for corresponding Application No. GB1515842.1.

* cited by examiner

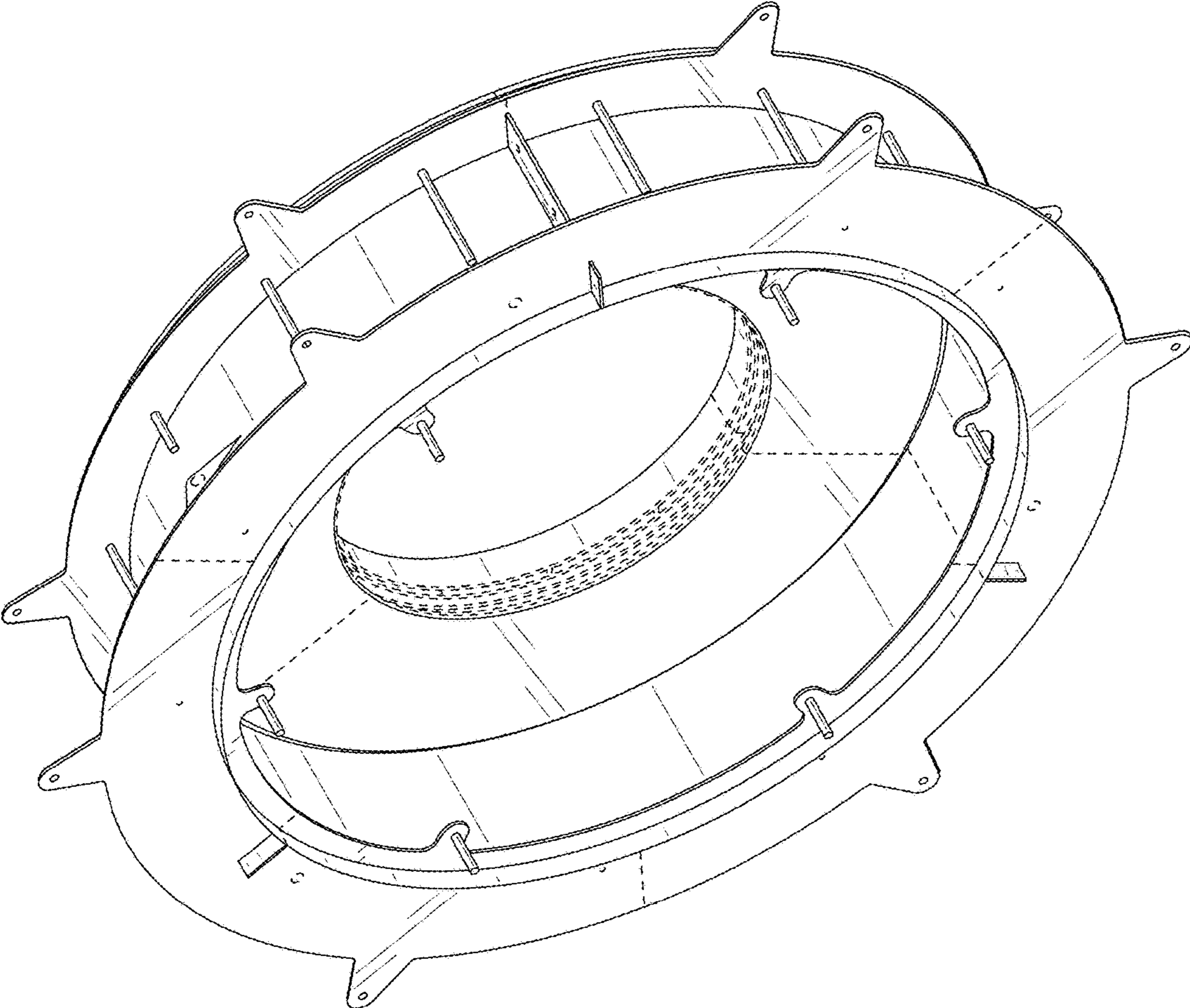


FIG. 1

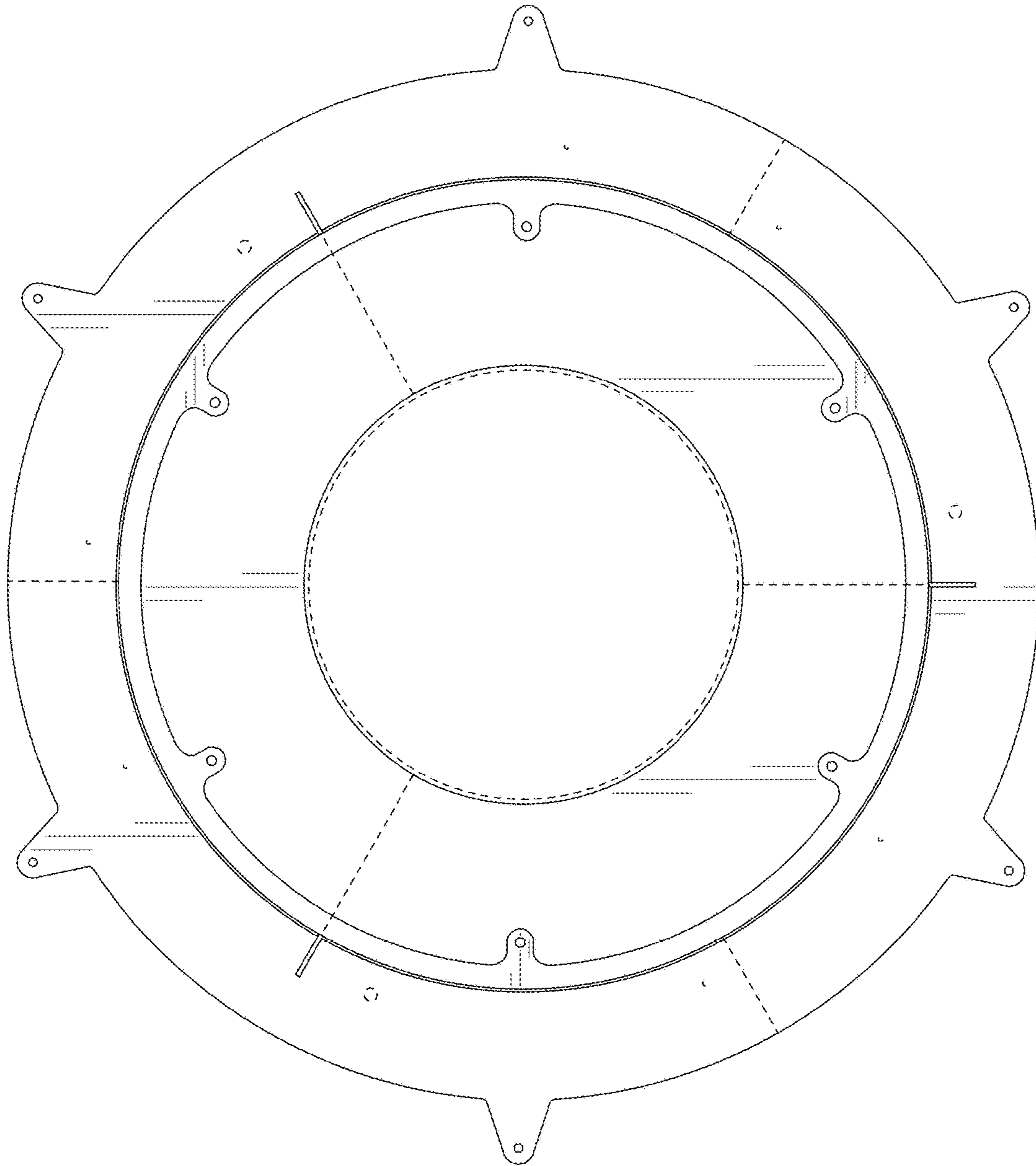


FIG. 2

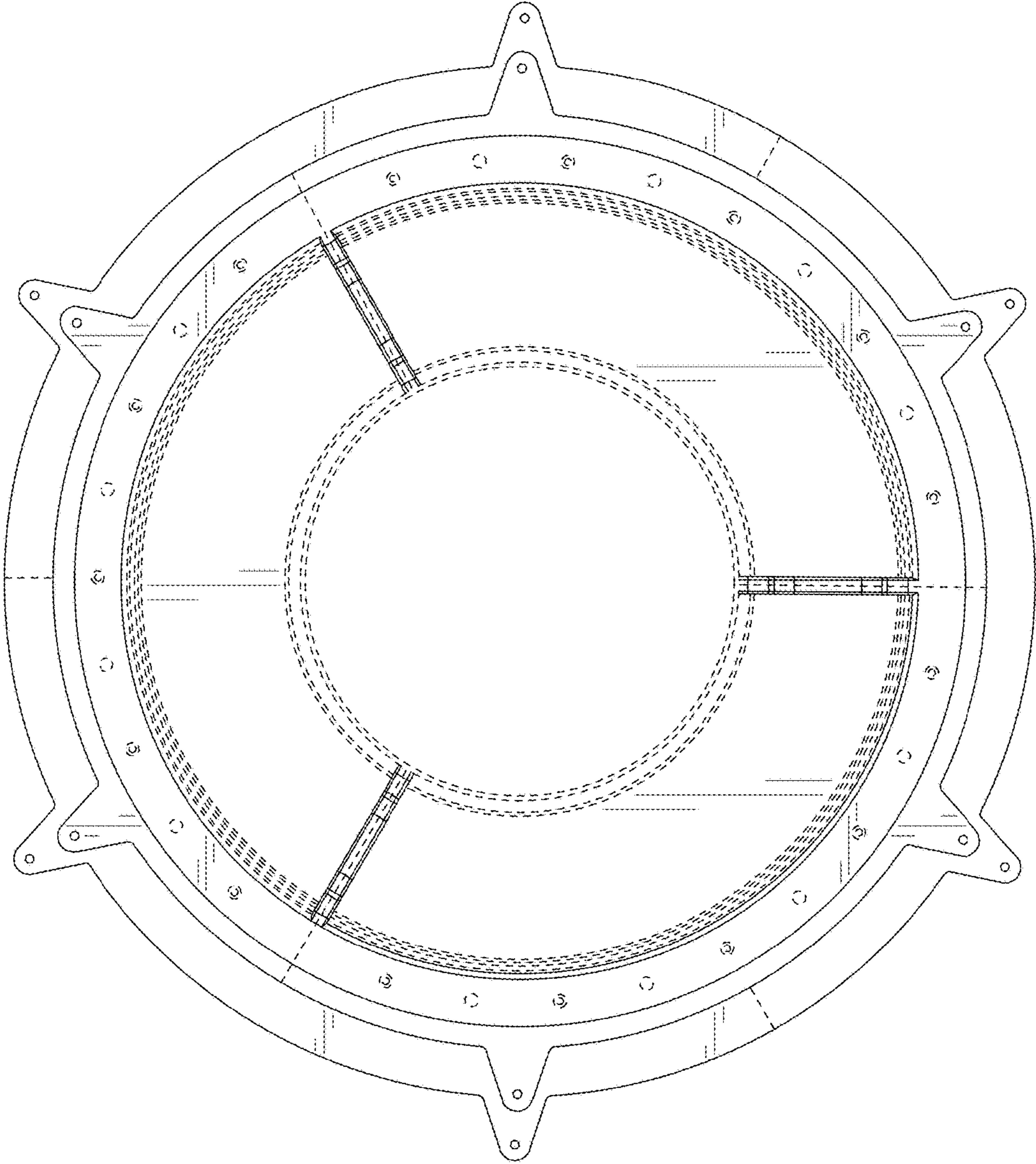


FIG. 3

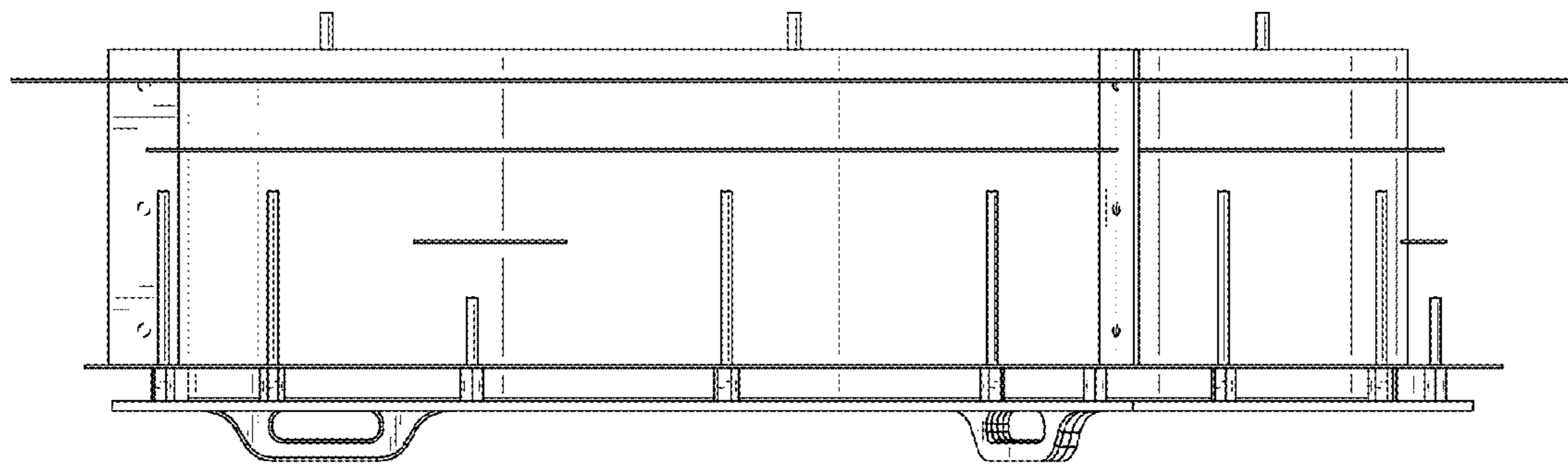


FIG. 4

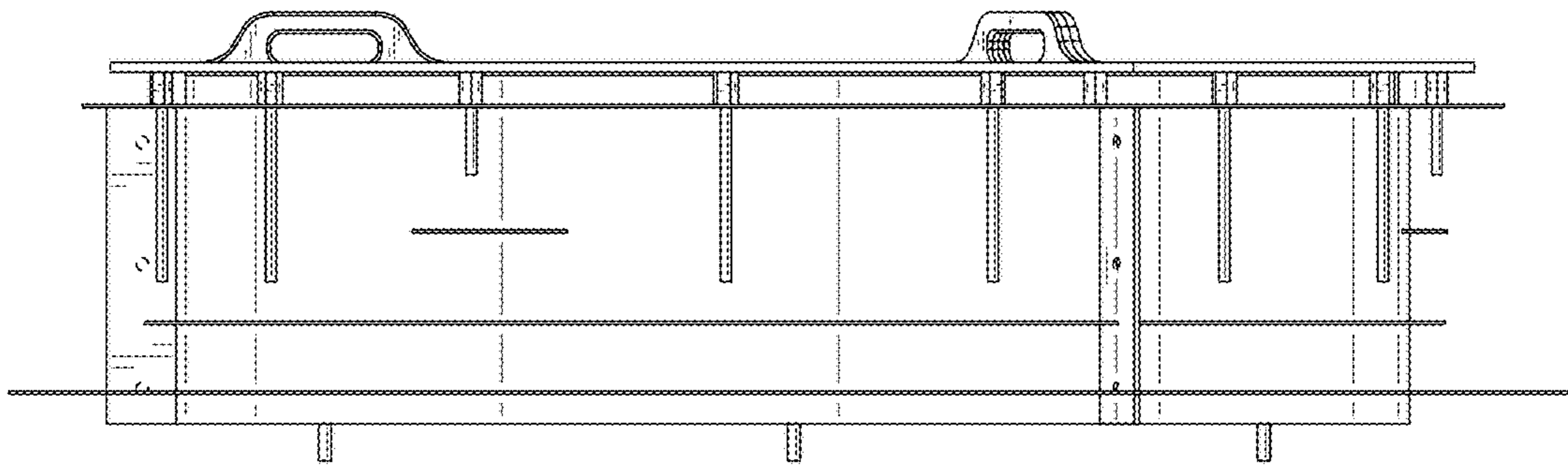


FIG. 5

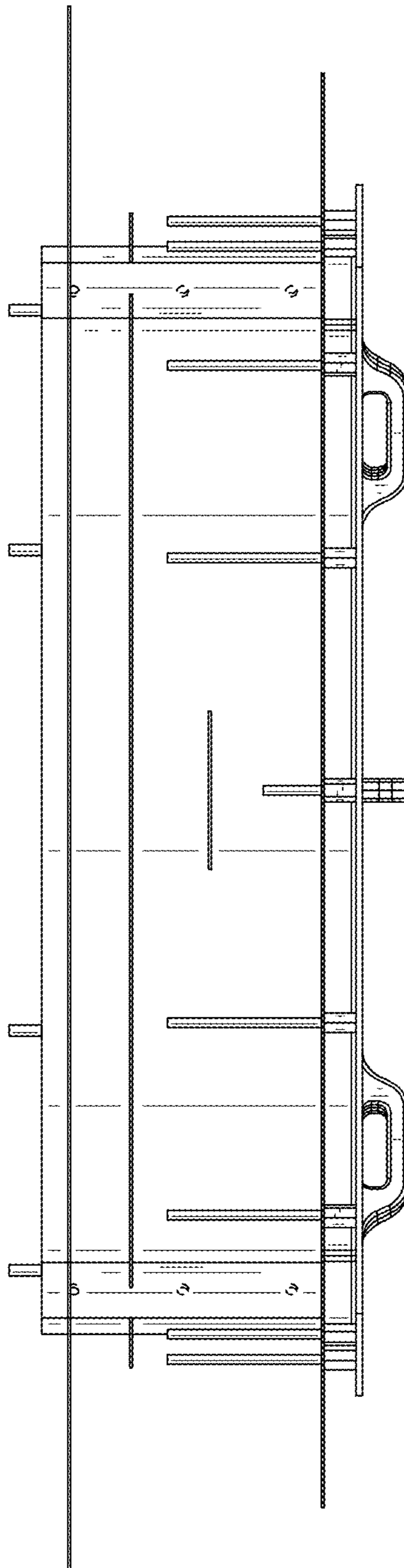


FIG. 6

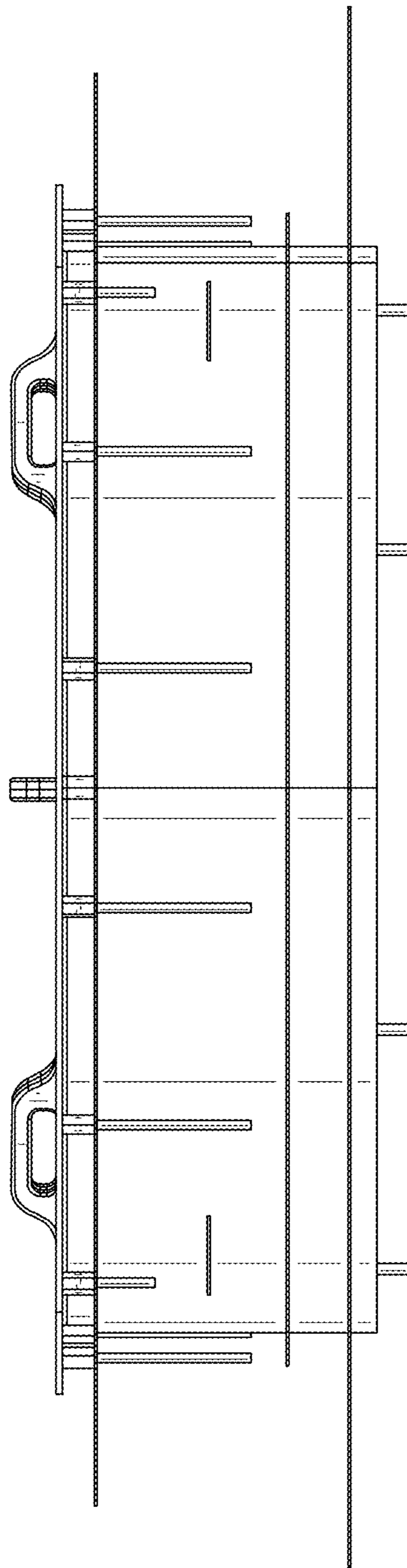


FIG. 7