



US00D813354S

(12) **United States Design Patent**
Garland

(10) **Patent No.:** **US D813,354 S**

(45) **Date of Patent:** **** Mar. 20, 2018**

(54) **FAUCET SPOUT**

(71) Applicant: **DELTA FAUCET COMPANY,**
Indianapolis, IN (US)

(72) Inventor: **Celine Kwok Garland,** Zionsville, IN
(US)

(73) Assignee: **DELTA FAUCET COMPANY,**
Indianapolis, IN (US)

(**) Term: **15 Years**

(21) Appl. No.: **29/595,232**

(22) Filed: **Feb. 27, 2017**

(51) **LOC (11) Cl.** **23-01**

(52) **U.S. Cl.**
USPC **D23/255**

(58) **Field of Classification Search**
USPC D23/237, 238, 240-243, 249, 255, 257;
D6/524
CPC E03C 1/0401; E03C 1/04; E03C 1/0402;
E03C 1/0404; B25B 23/16; C02F 1/50;
A47K 5/14; Y10T 137/9464
See application file for complete search history.

(56) **References Cited**

U.S. PATENT DOCUMENTS

D527,794 S * 9/2006 Sieger D23/238
D534,245 S * 12/2006 Egli D23/238

D574,063 S * 7/2008 Tsai D23/255
D607,543 S * 1/2010 Allard D23/255
D635,648 S * 4/2011 Schoenherr D23/255
D636,064 S * 4/2011 Schoenherr D23/255
D640,353 S * 6/2011 Gao D23/255
D659,807 S * 5/2012 Flowers D23/255
D680,627 S * 4/2013 Lord D23/255
D720,436 S * 12/2014 Hundley D23/255
D721,793 S * 1/2015 McNinch D23/255
D800,272 S * 10/2017 Andrew D23/255

* cited by examiner

Primary Examiner — Robert M. Spear

Assistant Examiner — John A Voytek

(74) *Attorney, Agent, or Firm* — Edgar A. Zarins; Nirav
D. Parikh

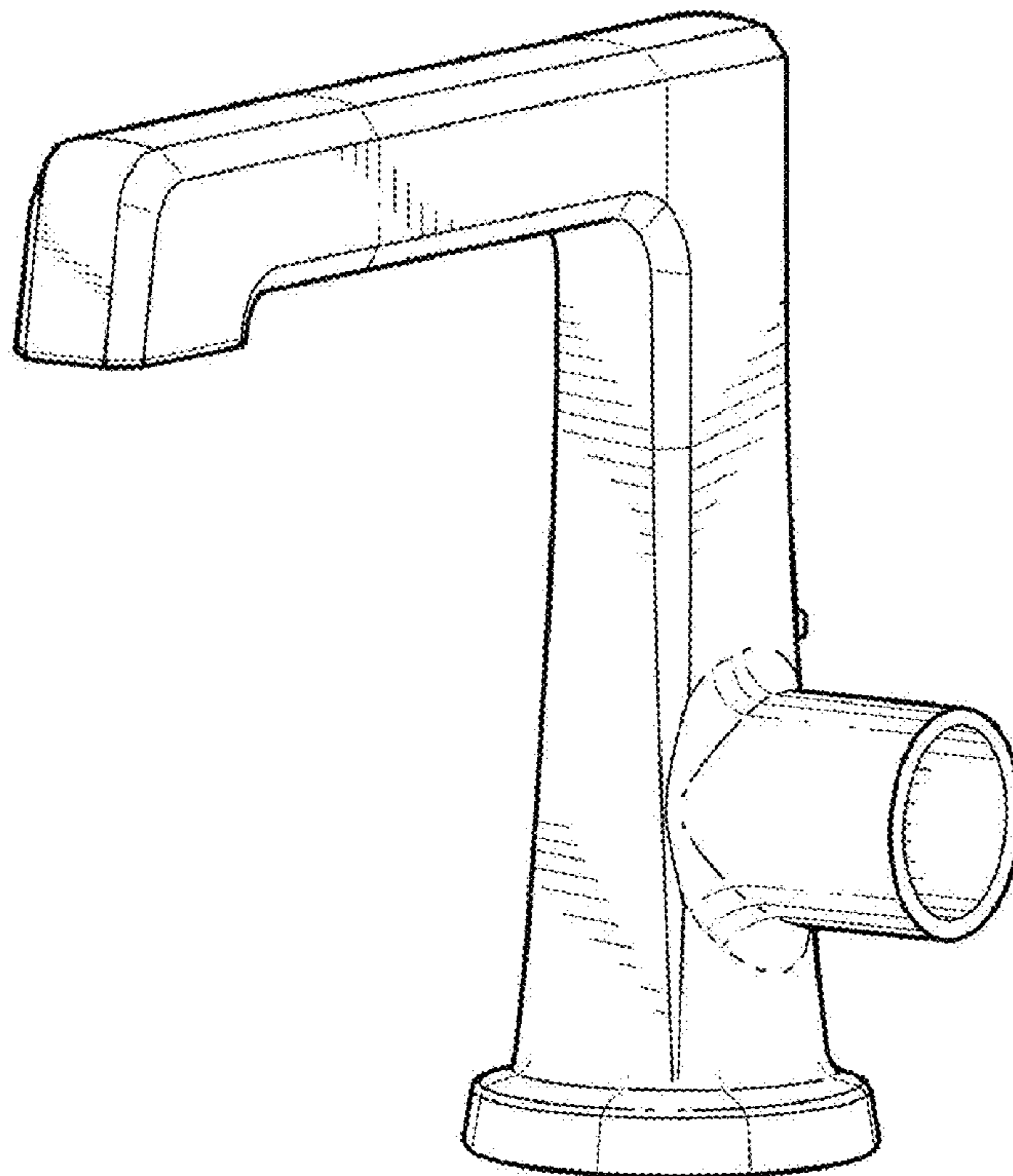
(57) **CLAIM**

The ornamental design for a faucet spout, as shown and
described.

DESCRIPTION

FIG. 1 is a perspective view of a faucet spout showing my
new design;
FIG. 2 is a rear perspective view thereof;
FIG. 3 is a top plan view thereof;
FIG. 4 is a left side view thereof;
FIG. 5 is a front elevational view thereof;
FIG. 6 is a rear view thereof;
FIG. 7 is a right side view thereof; and,
FIG. 8 is a bottom view thereof.

1 Claim, 3 Drawing Sheets



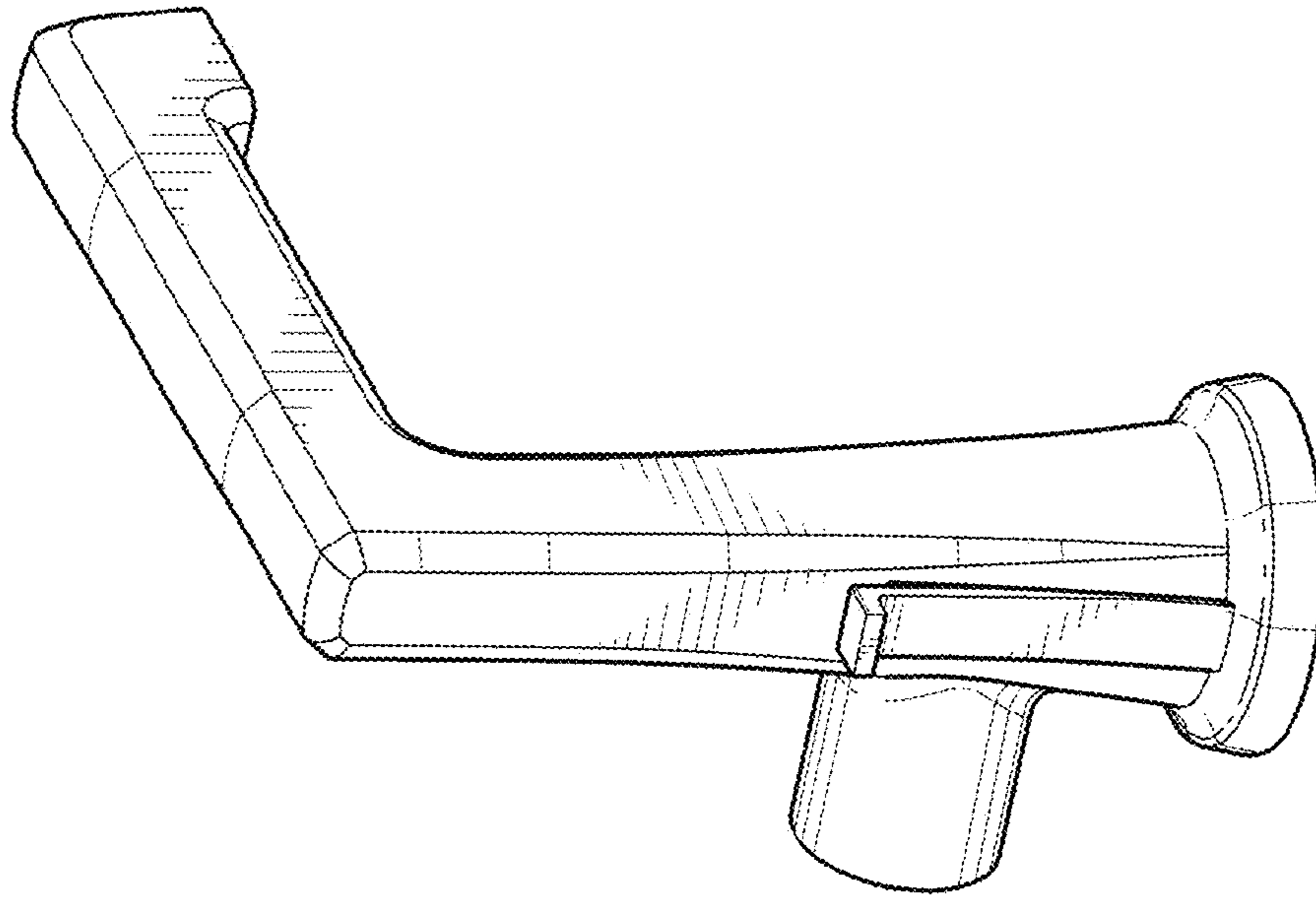


Fig-2

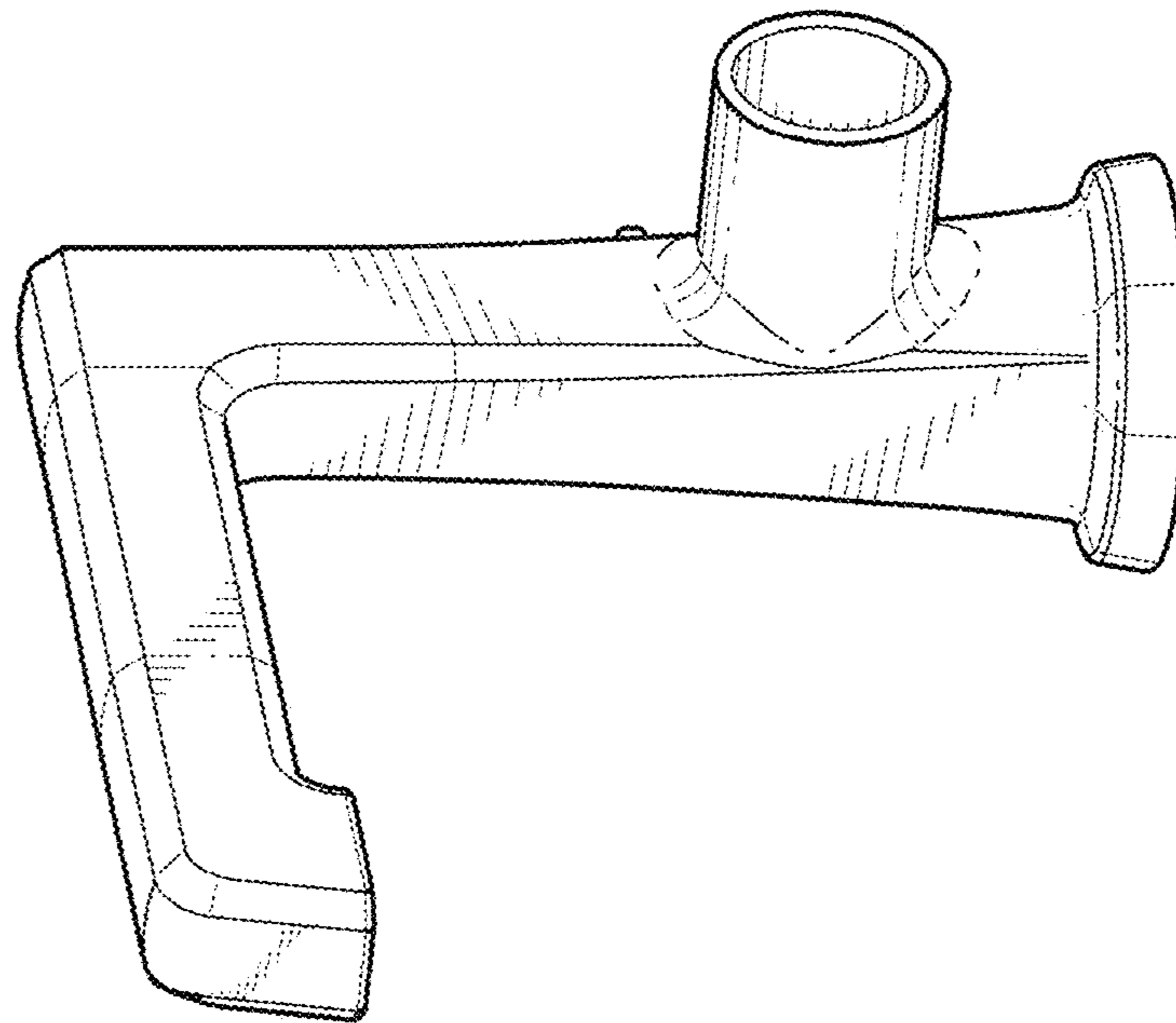


Fig-1

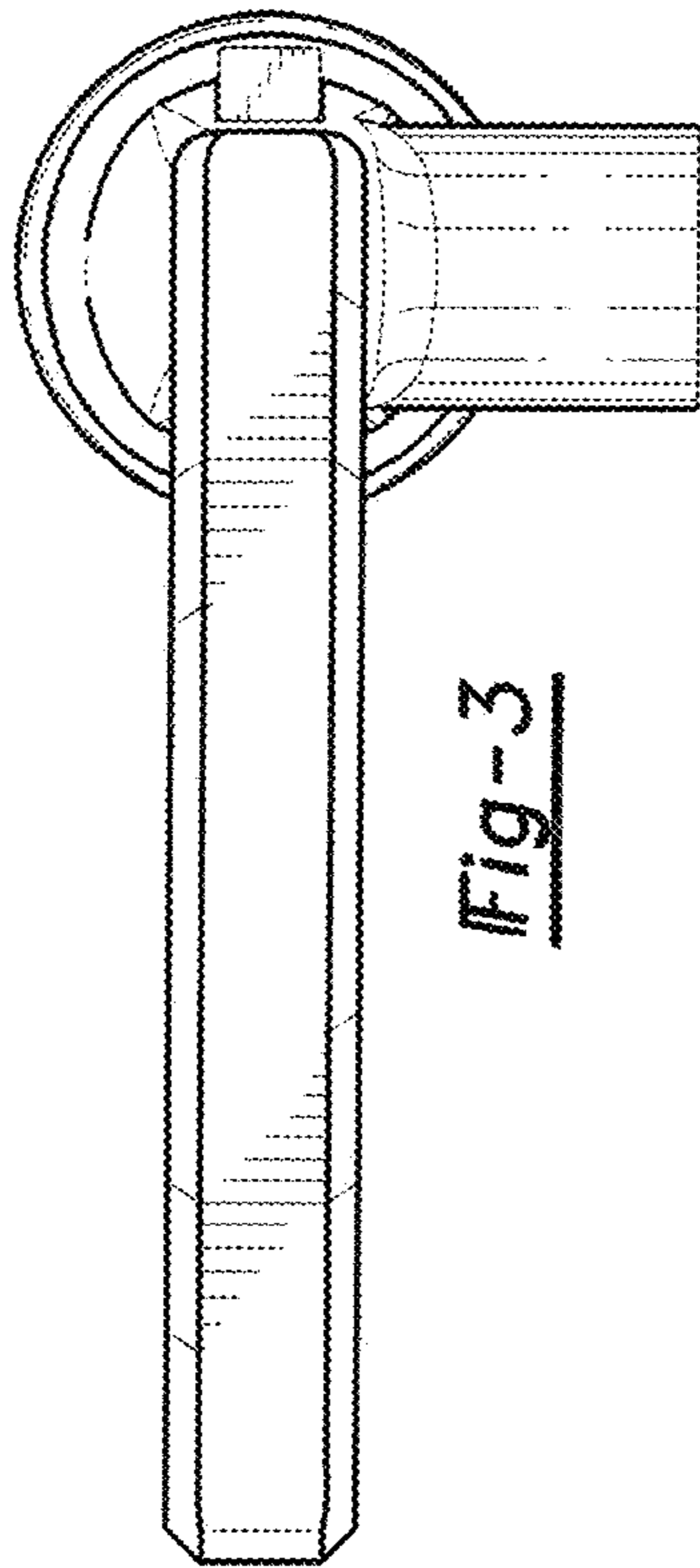


Fig-3

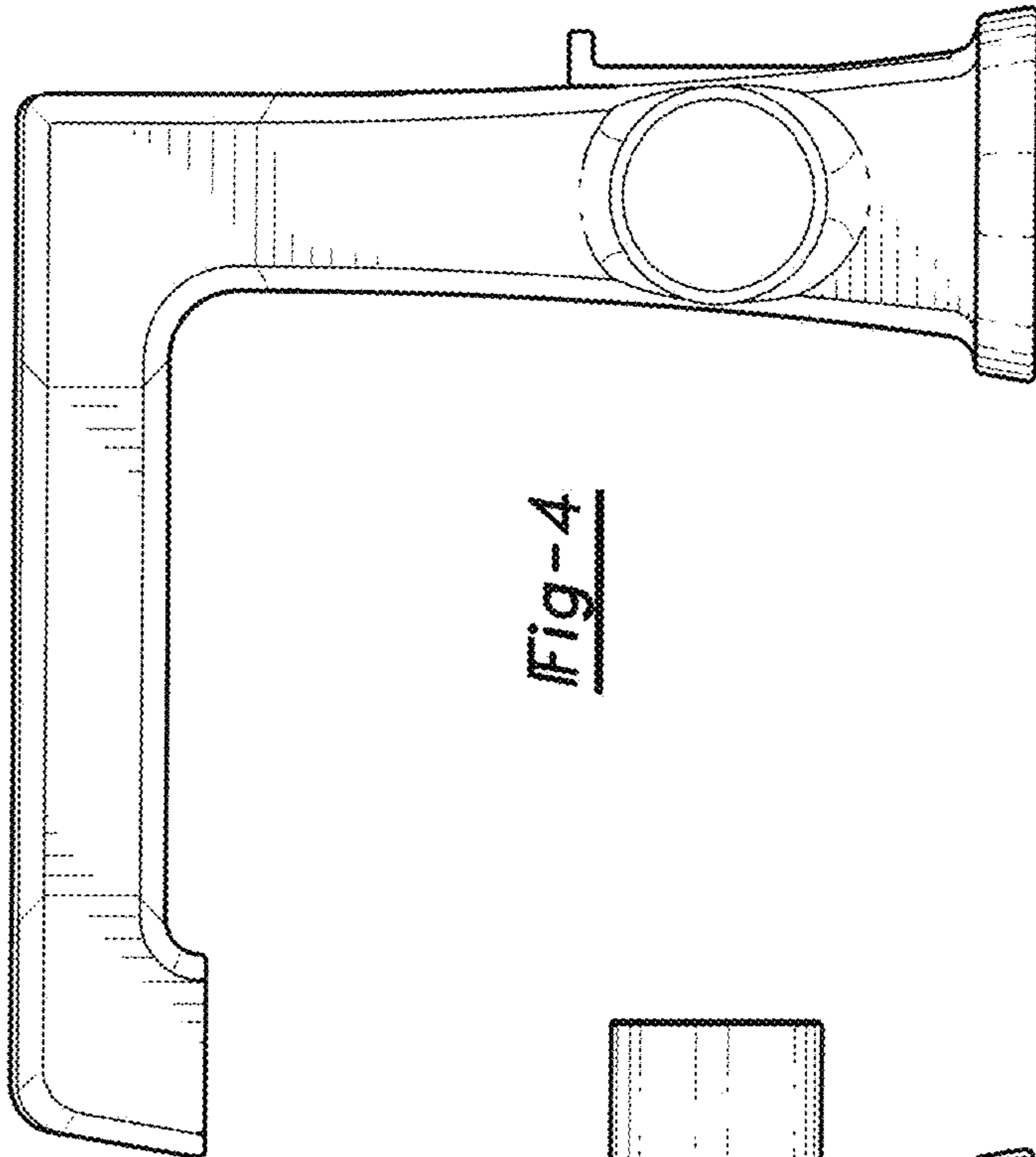


Fig-4

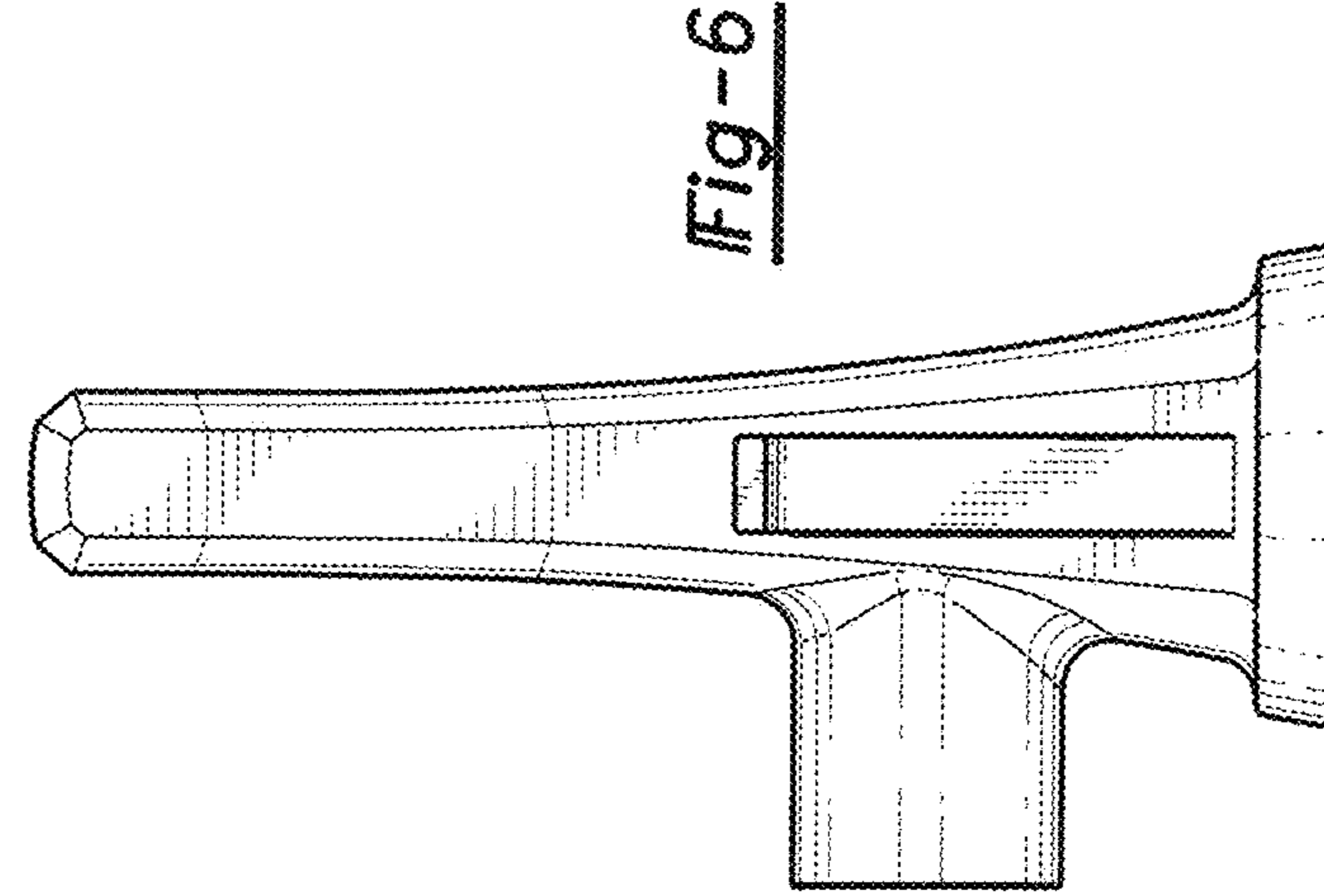


Fig-6

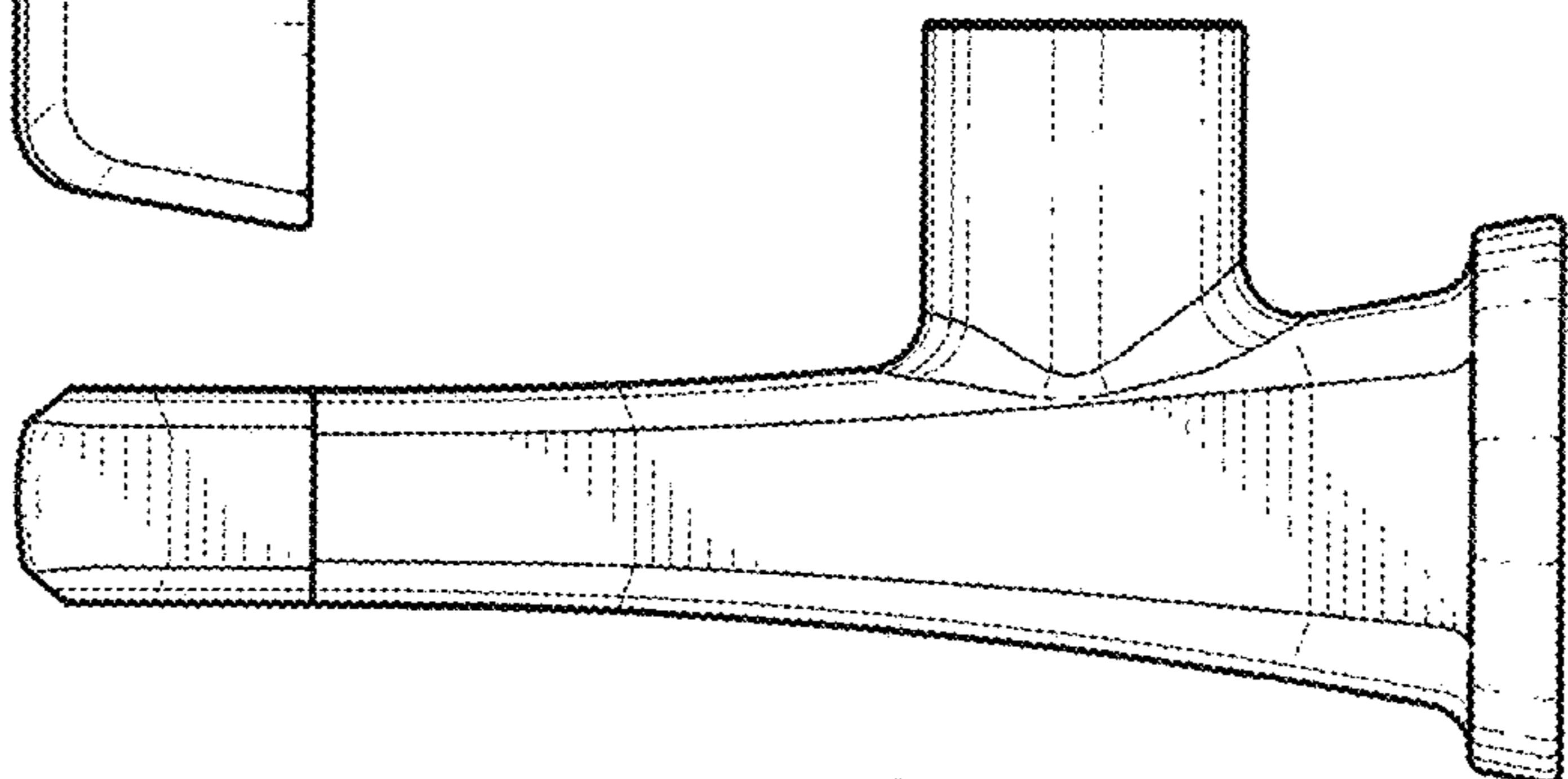


Fig-5

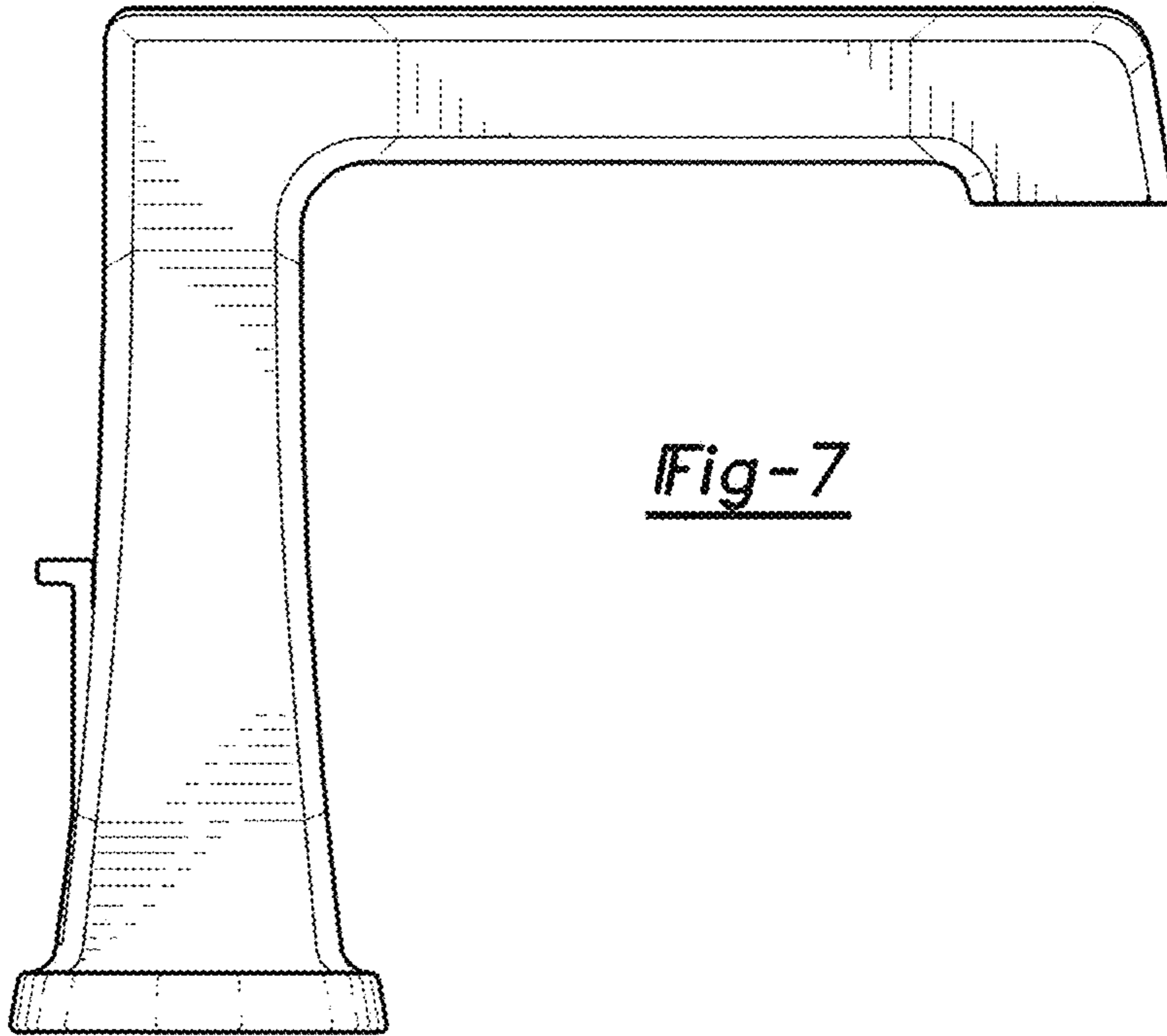


Fig-7

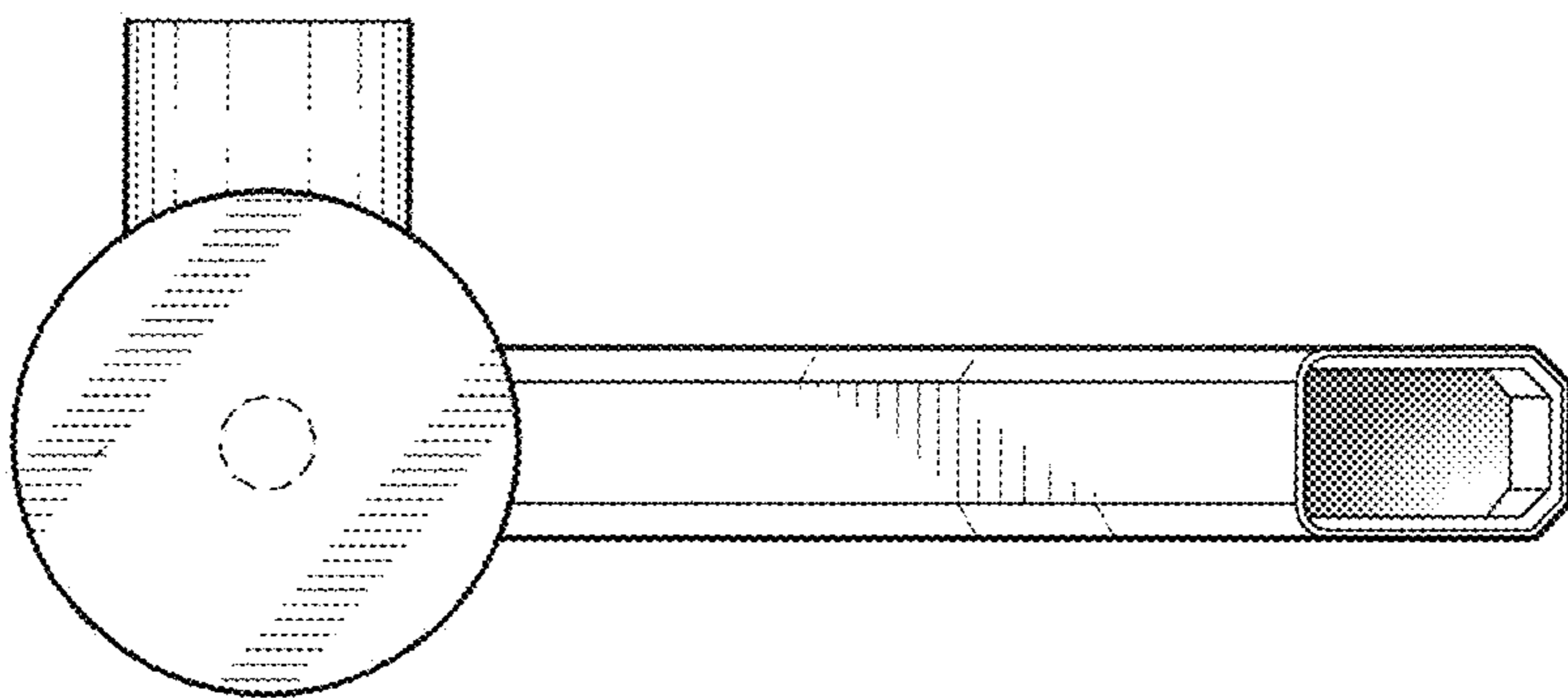


Fig-8