

US00D813353S

(12) **United States Design Patent**
Garland

(10) **Patent No.:** **US D813,353 S**

(45) **Date of Patent:** **** Mar. 20, 2018**

(54) **FAUCET HANDLE**

D712,517 S * 9/2014 Citterio D23/253
D754,823 S * 4/2016 Garland D23/252

(71) Applicant: **DELTA FAUCET COMPANY,**
Indianapolis, IN (US)

* cited by examiner

(72) Inventor: **Celine Kwok Garland,** Zionsville, IN
(US)

Primary Examiner — Robert A Delehanty

(74) *Attorney, Agent, or Firm* — Edgar A. Zarins; Nirav
D. Parikh

(73) Assignee: **DELTA FAUCET COMPANY,**
Indianapolis, IN (US)

(57) **CLAIM**

The ornamental design for a faucet handle, as shown and
described.

(**) Term: **15 Years**

DESCRIPTION

(21) Appl. No.: **29/595,240**

FIG. 1 is a perspective view of a faucet handle showing my
new design;

(22) Filed: **Feb. 27, 2017**

FIG. 2 is a first side view thereof, the opposite side being a
mirror image of the side shown;

(51) **LOC (11) Cl.** **23-01**

(52) **U.S. Cl.**
USPC **D23/253**

(58) **Field of Classification Search**
USPC D23/238, 241–243, 249–250, 252, 254,
D23/245; D8/307–308

CPC Y10T 137/9464
See application file for complete search history.

FIG. 3 is a second side view thereof, the opposite side being
a mirror image of the side shown;

FIG. 4 is a top plan view thereof;

FIG. 5 is a bottom view thereof;

FIG. 6 is a perspective view of a second embodiment, of my
design;

FIG. 7 is a first side view thereof, the opposite side being a
mirror image of the side shown;

FIG. 8 is a second side view thereof, the opposite side being
a mirror image of the side shown;

FIG. 9 is a top plan view thereof; and,

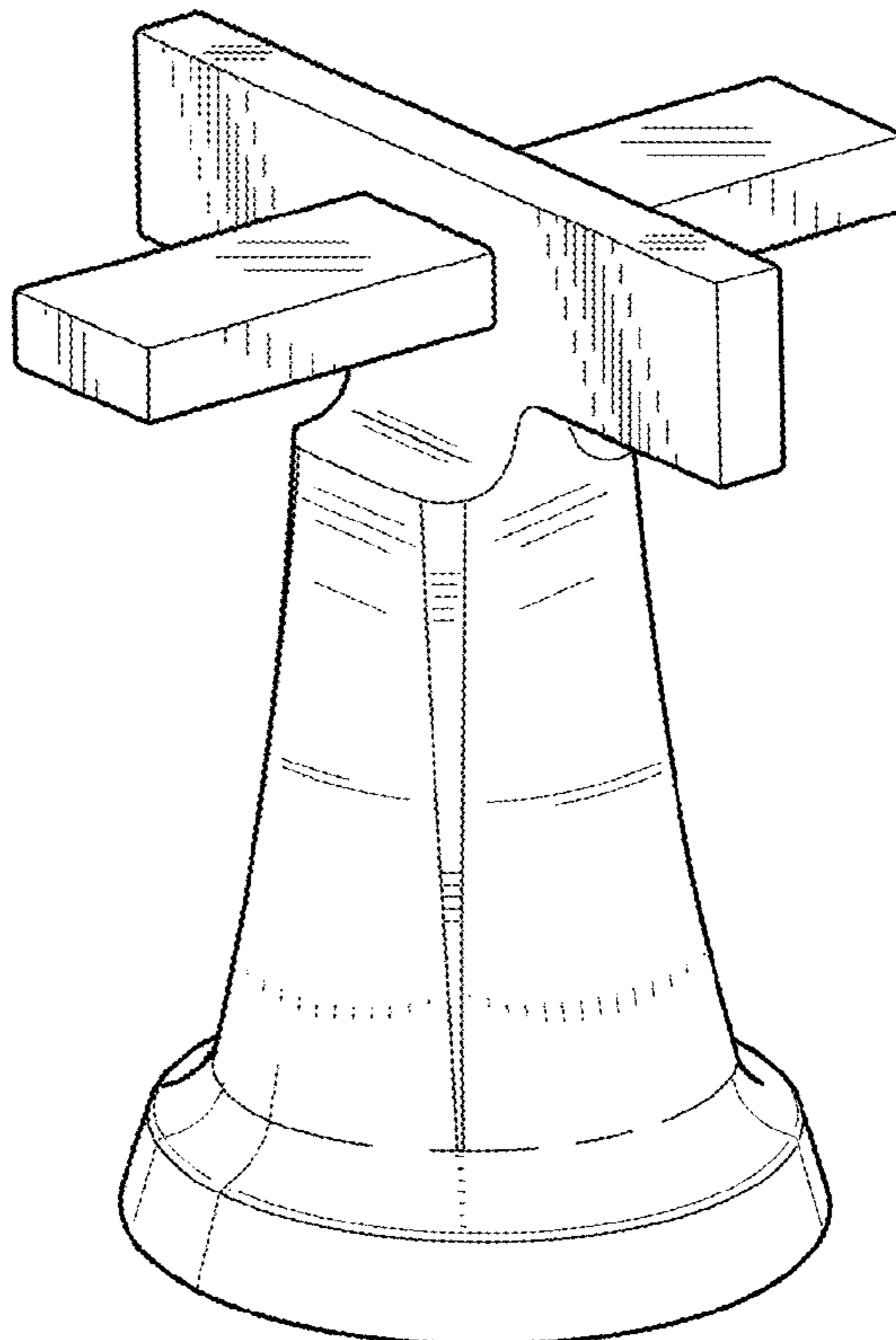
FIG. 10 is a bottom view thereof.

(56) **References Cited**

U.S. PATENT DOCUMENTS

D522,633 S * 6/2006 Hoernig D23/252
D712,516 S * 9/2014 Citterio D23/242

1 Claim, 4 Drawing Sheets



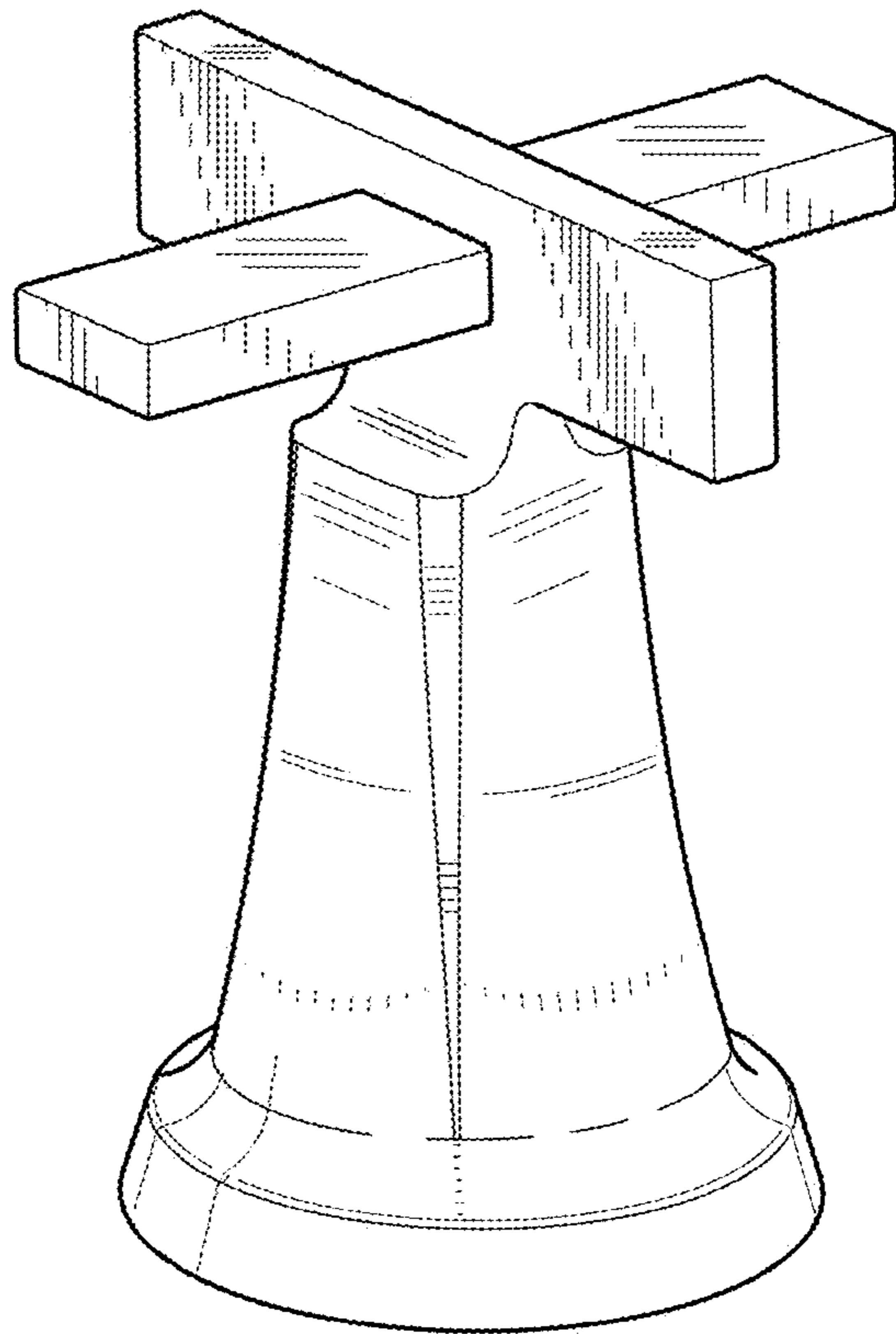


Fig-1

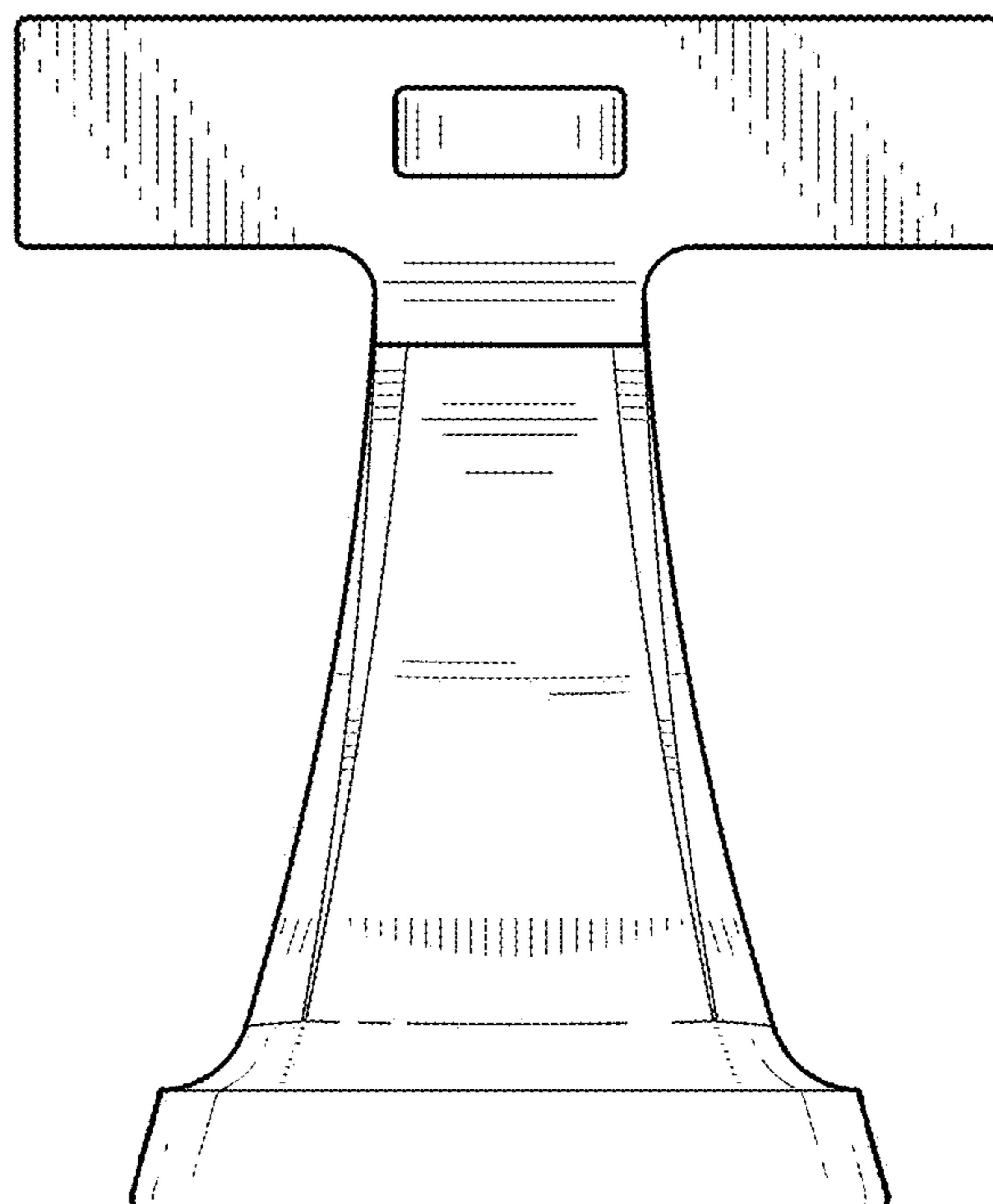


Fig-2

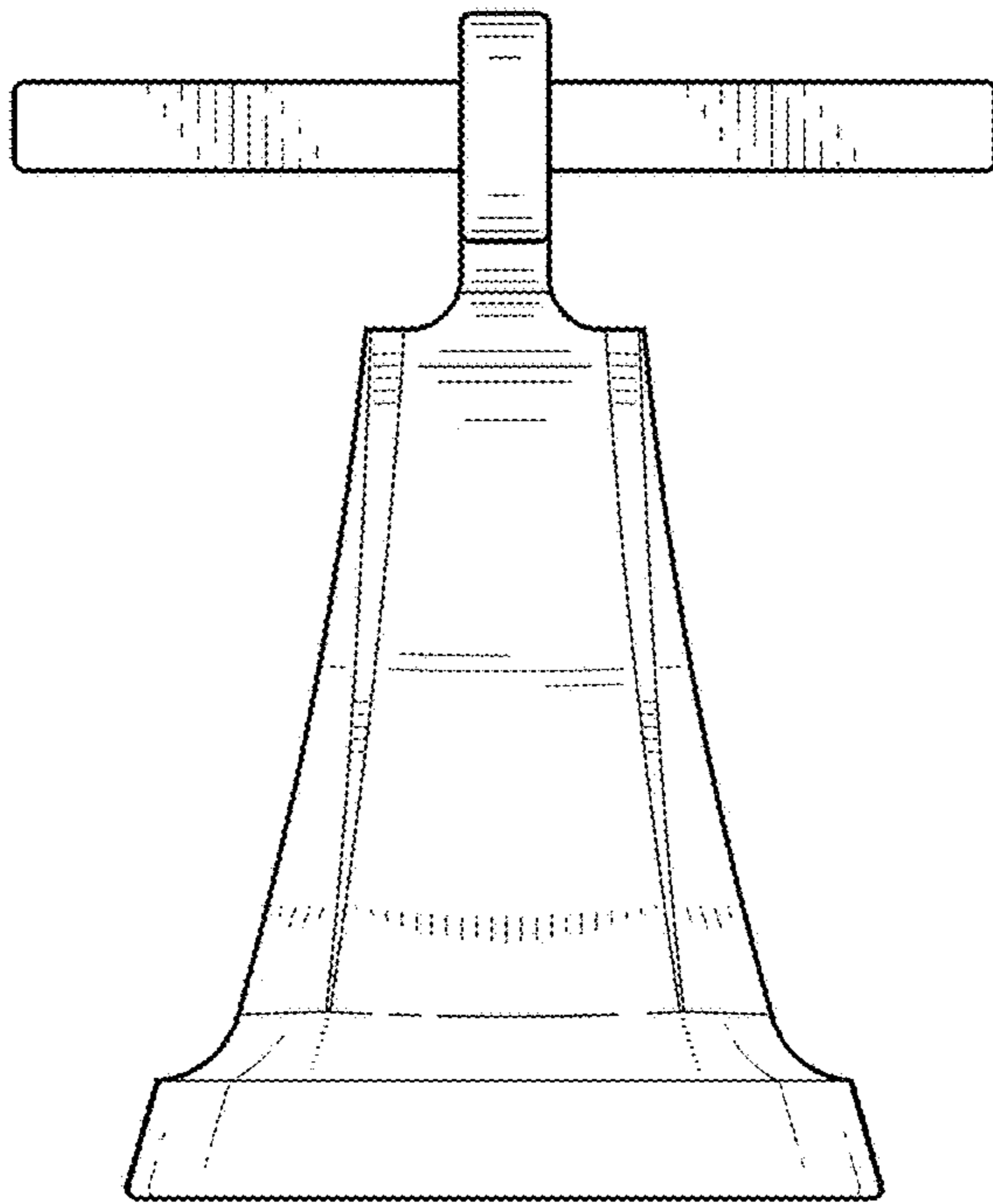


Fig-3

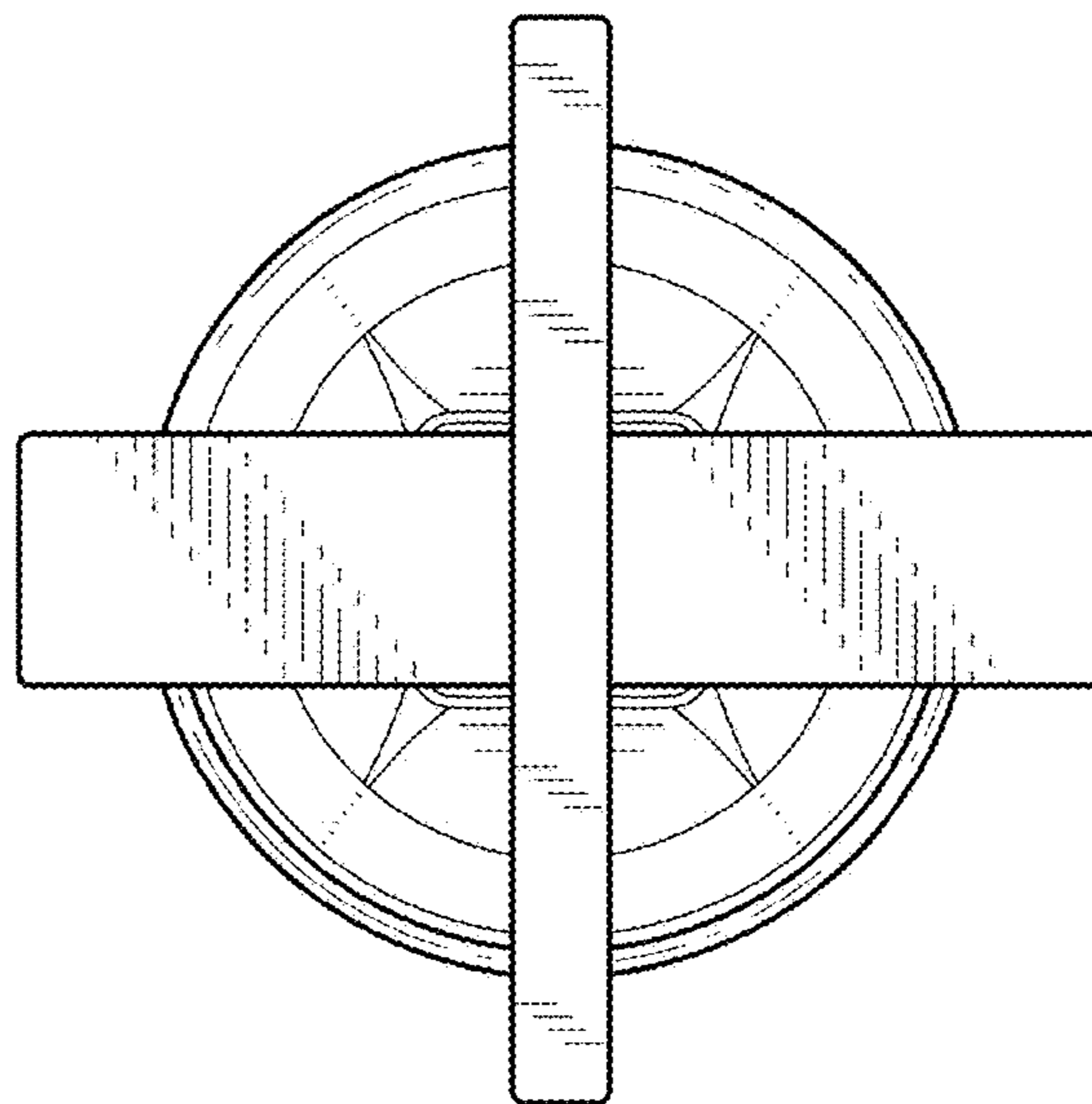


Fig-4

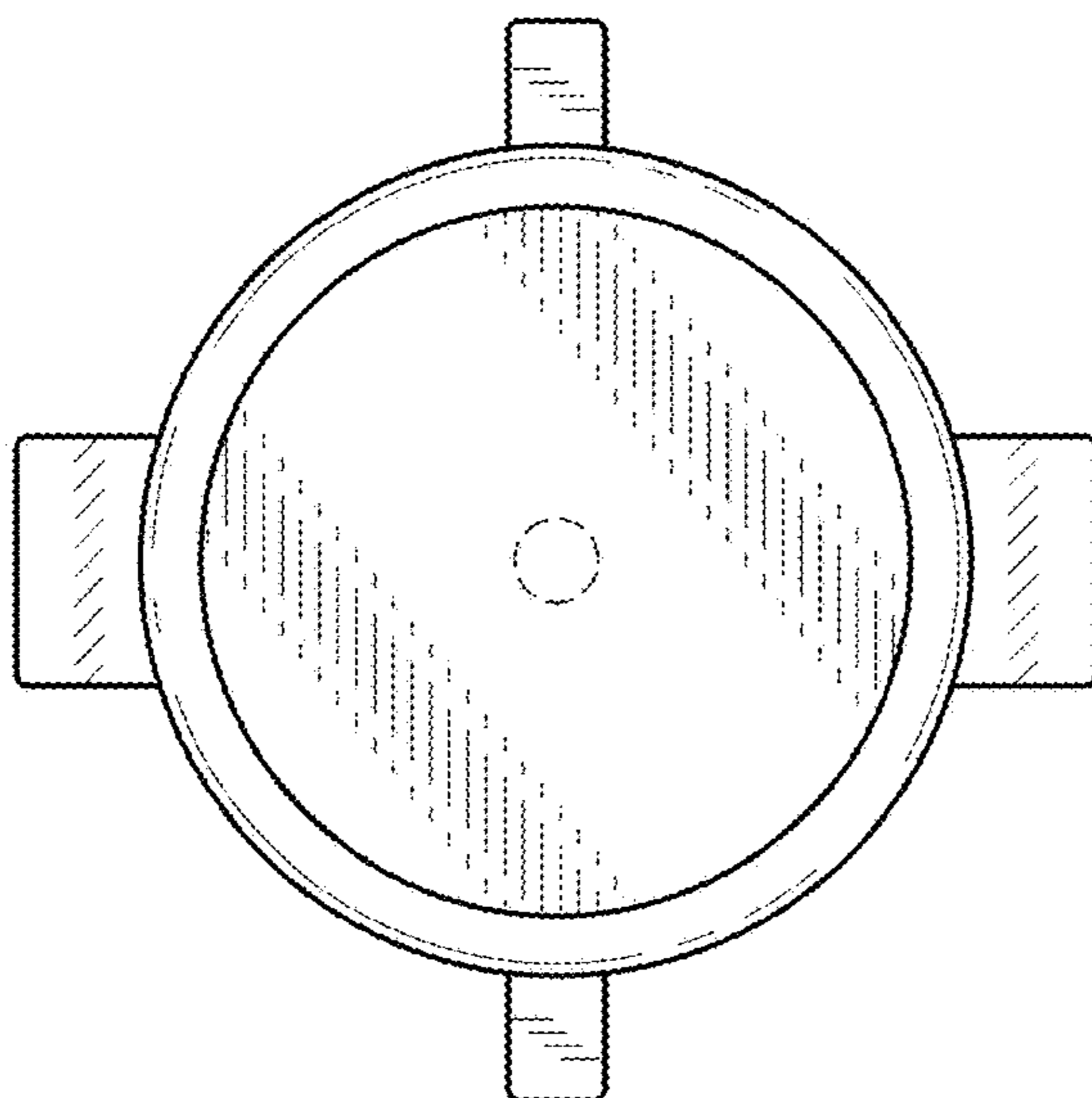


Fig-5

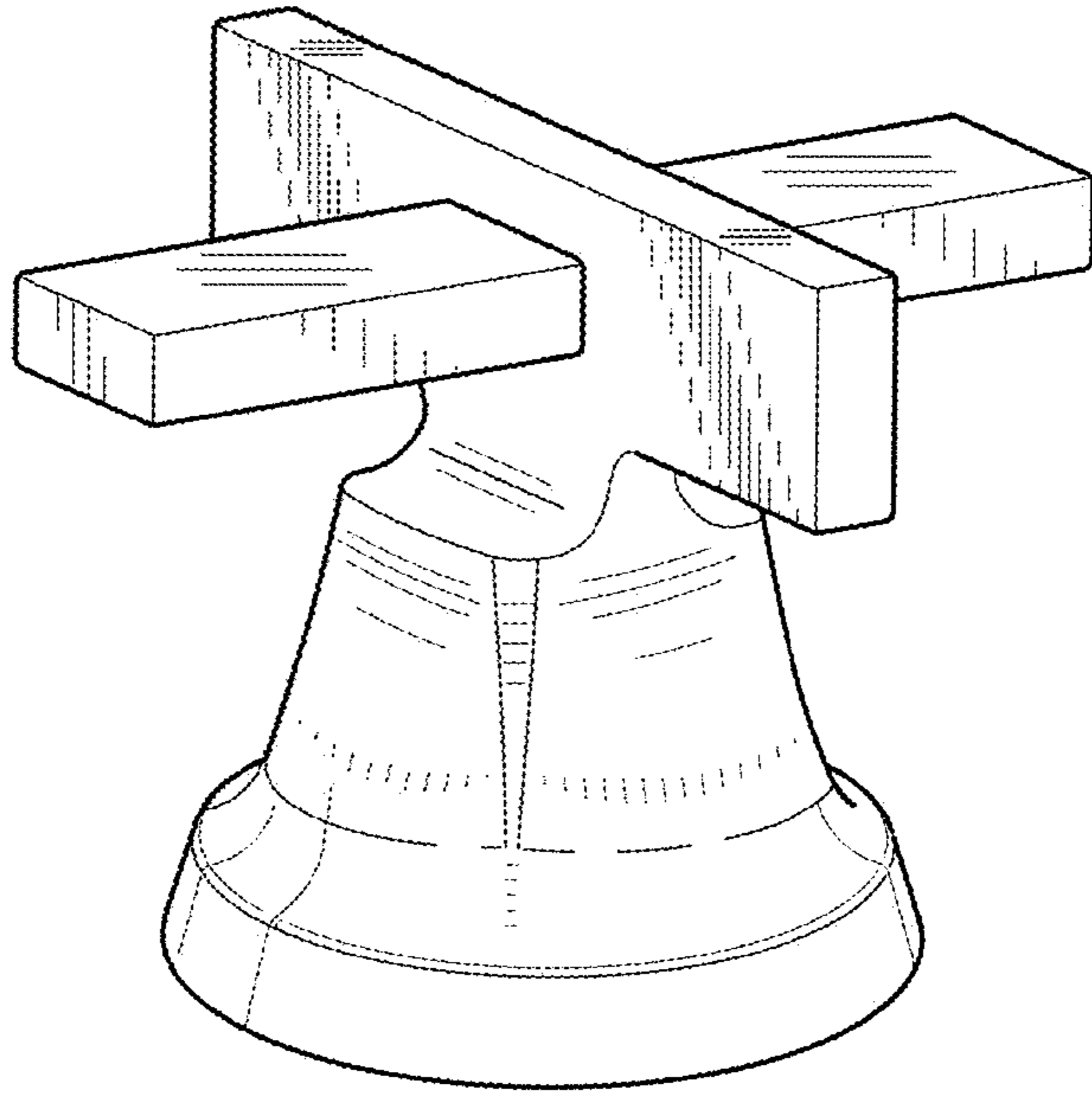


Fig-6

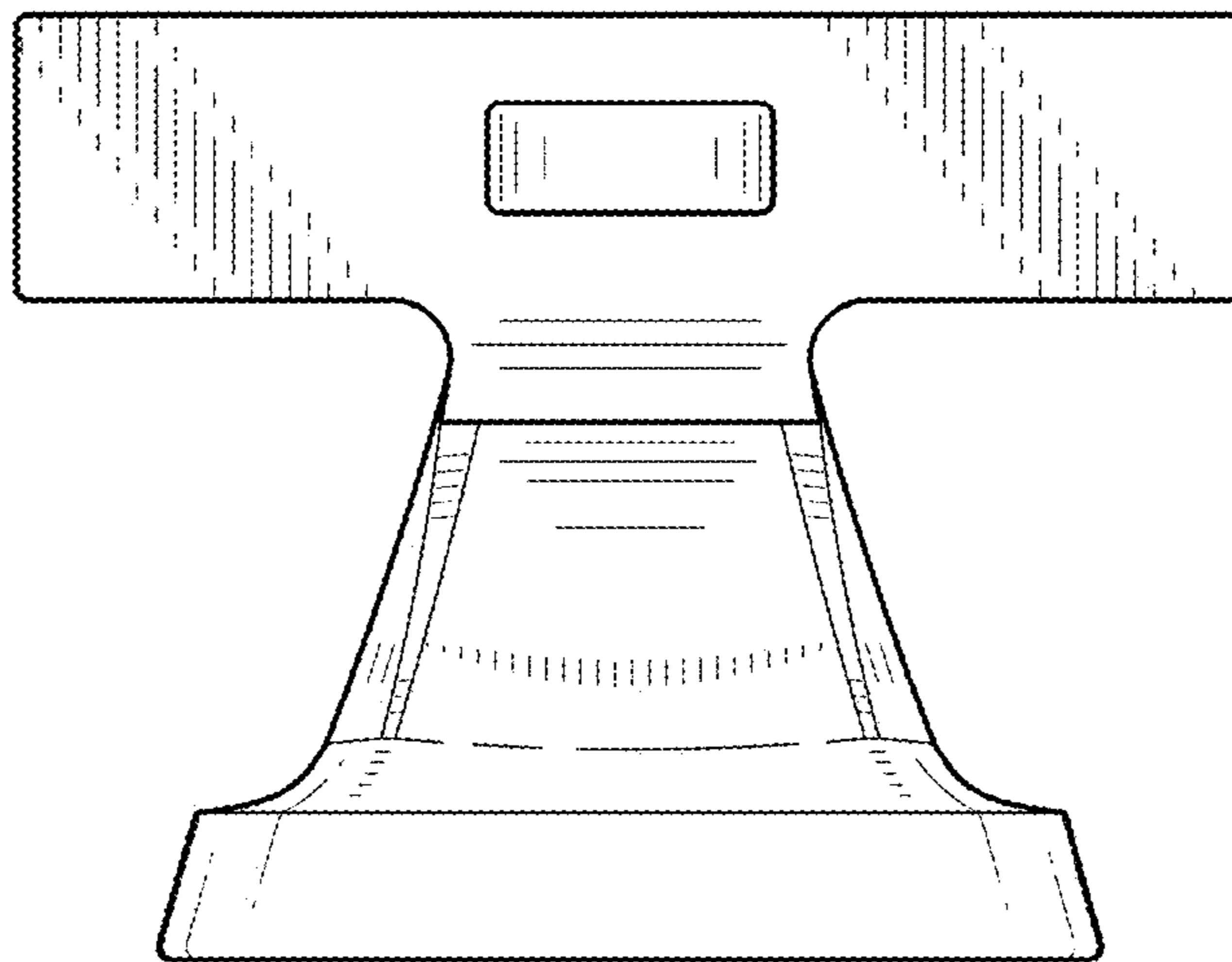


Fig-7

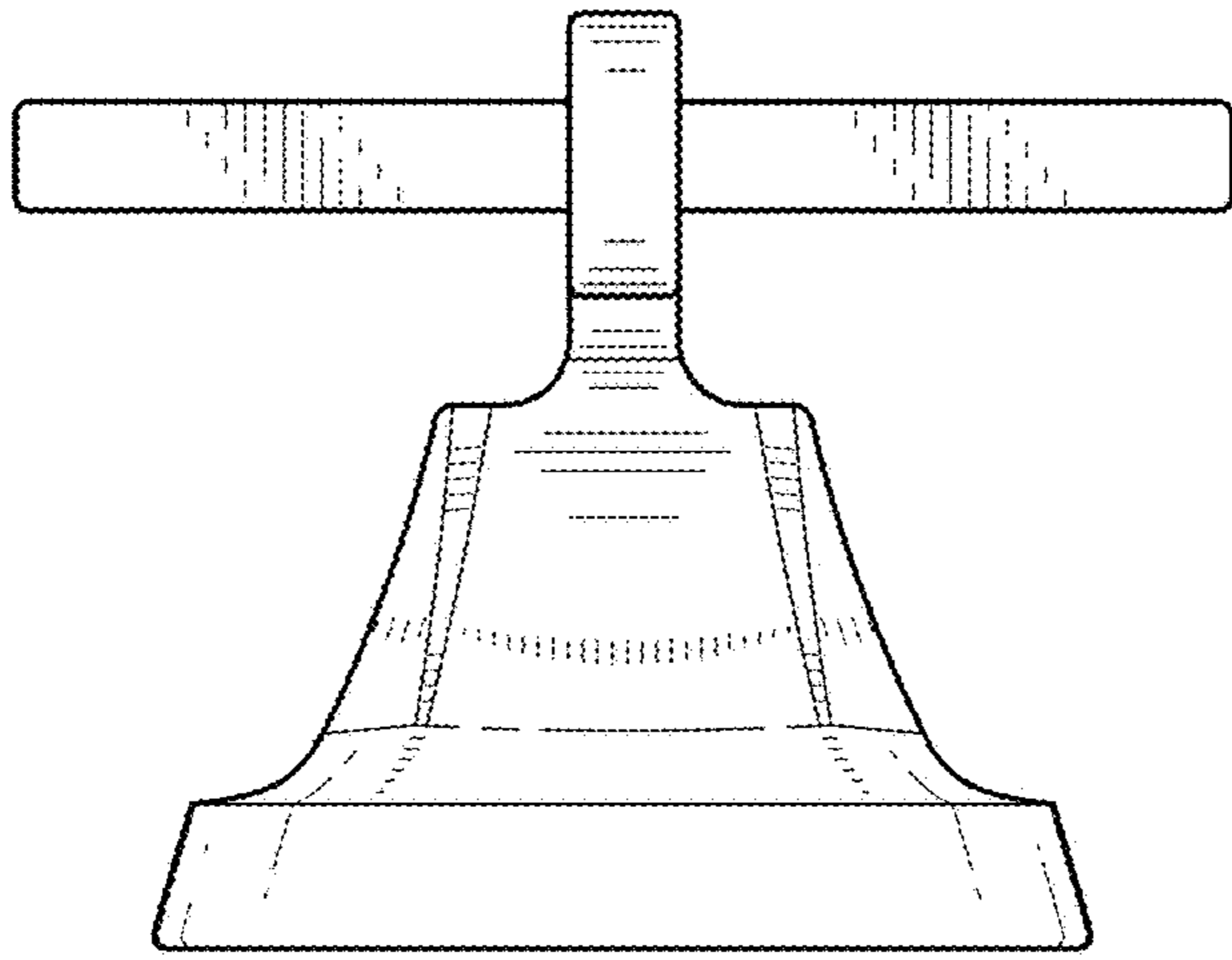


Fig-8

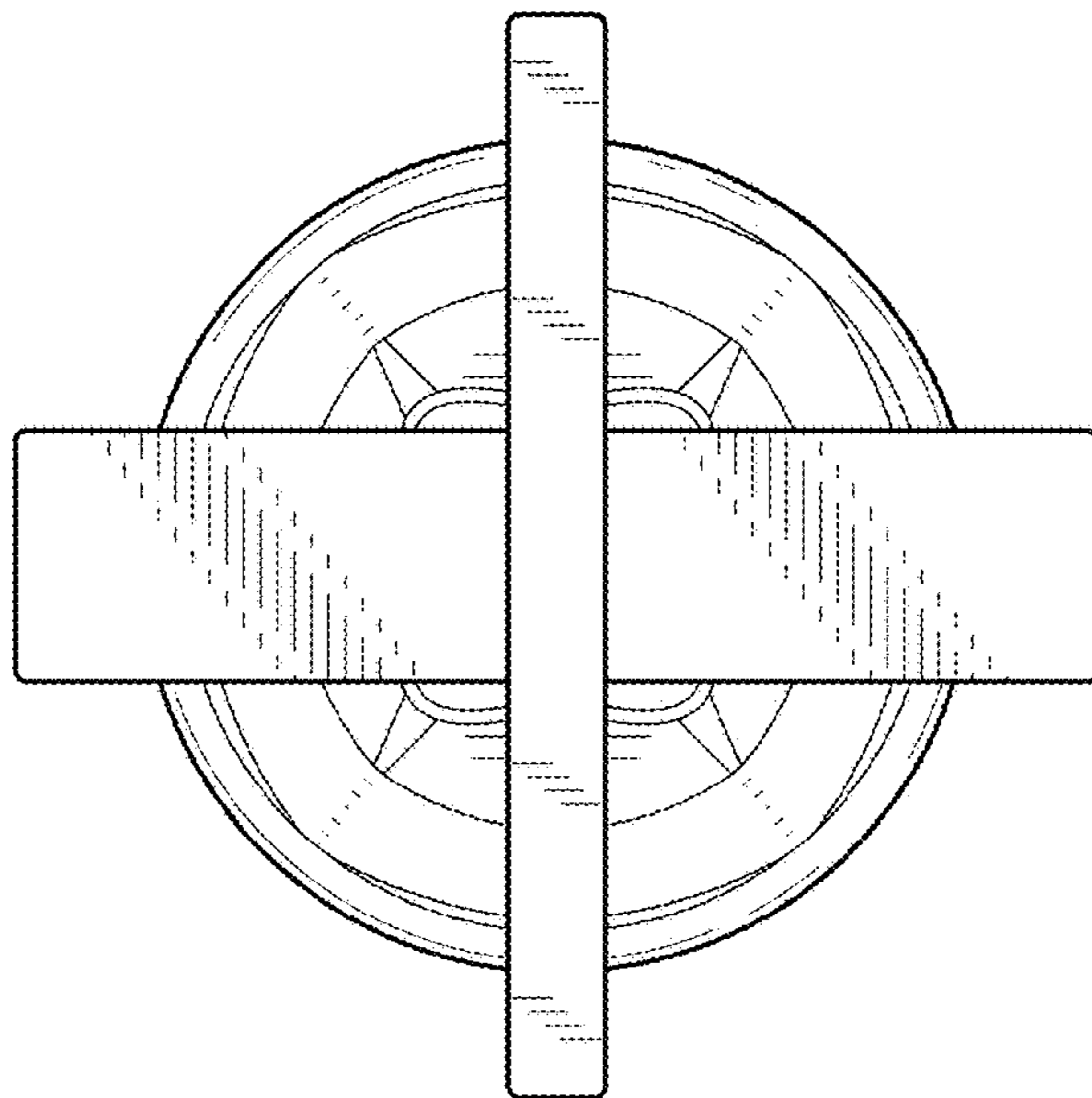


Fig-9

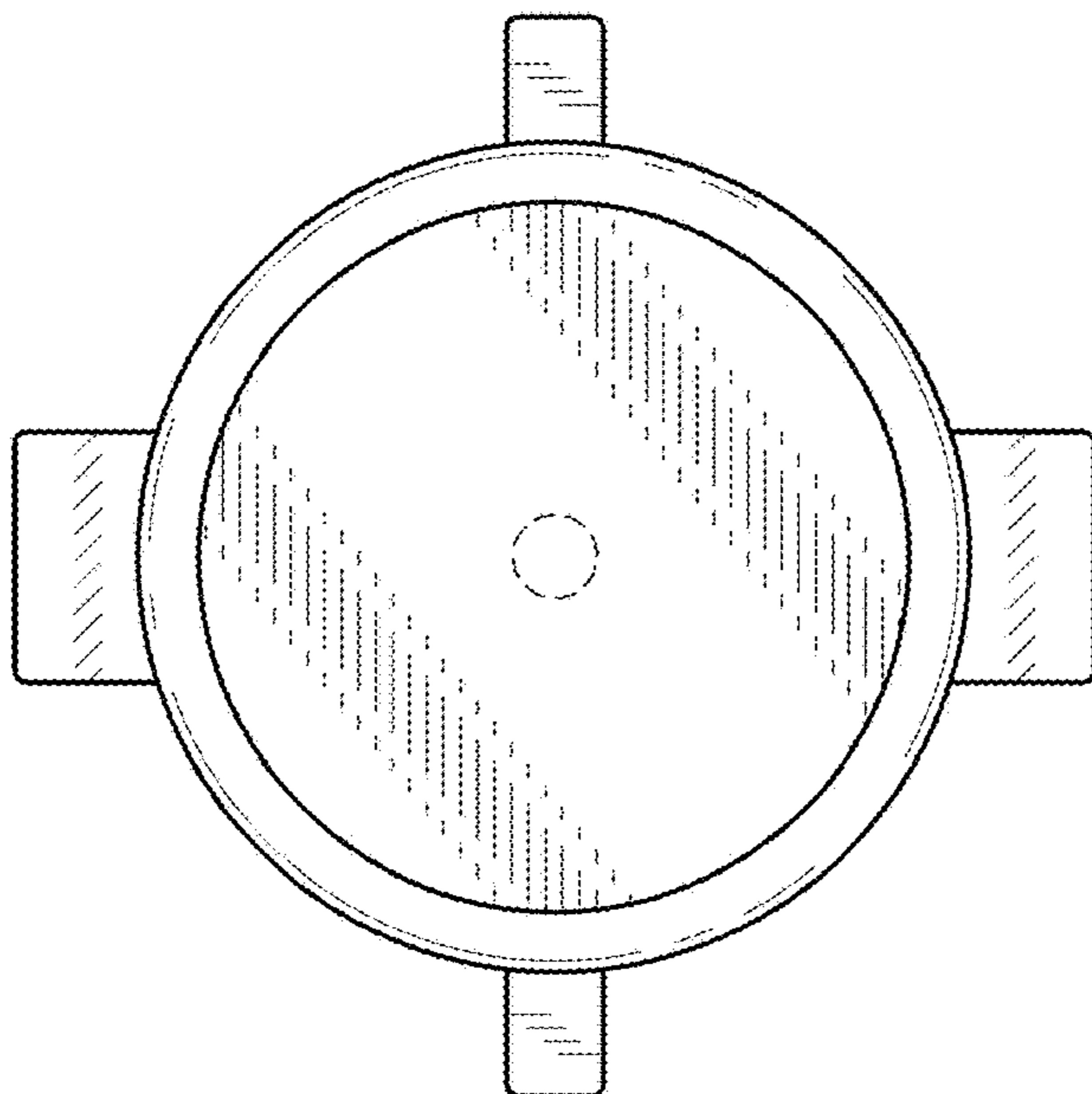


Fig-10