



US00D813351S

(12) **United States Design Patent** (10) **Patent No.:** **US D813,351 S**  
**Harck et al.** (45) **Date of Patent:** **\*\* Mar. 20, 2018**

(54) **VALVE**

(71) Applicant: **DANFOSS A/S**, Nordborg (DK)

(72) Inventors: **Kurt Harck**, Sonderberg (DK); **Sigurd Larsen**, Flensburg (DE)

(73) Assignee: **DANFOSS A/S**, Nordborg (DK)

(\*\*) Term: **15 Years**

(21) Appl. No.: **29/570,297**

(22) Filed: **Jul. 7, 2016**

**Related U.S. Application Data**

(62) Division of application No. 29/488,762, filed on Apr. 23, 2014, now Pat. No. Des. 768,823.

(30) **Foreign Application Priority Data**

Oct. 25, 2013 (EM) ..... 002333492-0003  
 Oct. 25, 2013 (EM) ..... 002333492-0004  
 Oct. 25, 2013 (EM) ..... 002333492-0005

(51) **LOC (11) Cl.** ..... **23-01**

(52) **U.S. Cl.**  
USPC ..... **D23/233**

(58) **Field of Classification Search**

USPC ..... D23/244–249, 269; 137/498, 545, 547,  
 137/549, 377, 614.17; 251/62, 63, 63.5,  
 251/129.01, 129.1, 129.16–129.18, 215,  
 251/309, 310, 312  
 CPC ..... F16K 47/08; F16K 15/188; F16K 31/12;  
 F16K 5/10; F16K 11/0716; F16K 11/0853  
 See application file for complete search history.

(56) **References Cited**

U.S. PATENT DOCUMENTS

|              |         |             |       |         |
|--------------|---------|-------------|-------|---------|
| D153,064 S * | 3/1949  | Hammon      | ..... | D23/235 |
| D357,735 S * | 4/1995  | McPhee      | ..... | D23/233 |
| D370,963 S * | 6/1996  | Daansen     | ..... | D23/235 |
| D412,738 S * | 8/1999  | Kuwabara    | ..... | D23/233 |
| D421,091 S * | 2/2000  | Kehlbeck    | ..... | D23/233 |
| D460,522 S * | 7/2002  | Flinchbaugh | ..... | D23/233 |
| D499,464 S * | 12/2004 | Caine       | ..... | D23/233 |
| D500,840 S * | 1/2005  | Kim         | ..... | D23/233 |
| D527,793 S * | 9/2006  | Cantolino   | ..... | D23/233 |
| D615,617 S * | 5/2010  | Hutton      | ..... | D23/233 |
| D635,644 S * | 4/2011  | Yamada      | ..... | D23/233 |
| D638,915 S * | 5/2011  | Cardno      | ..... | D23/233 |
| D708,706 S * | 7/2014  | Pridham     | ..... | D23/233 |
| D732,641 S * | 6/2015  | Hermann     | ..... | D23/233 |
| D736,896 S * | 8/2015  | Nishimura   | ..... | D23/233 |

\* cited by examiner

*Primary Examiner* — Cynthia Ramirez

(74) *Attorney, Agent, or Firm* — McCormick, Paulding & Huber LLP

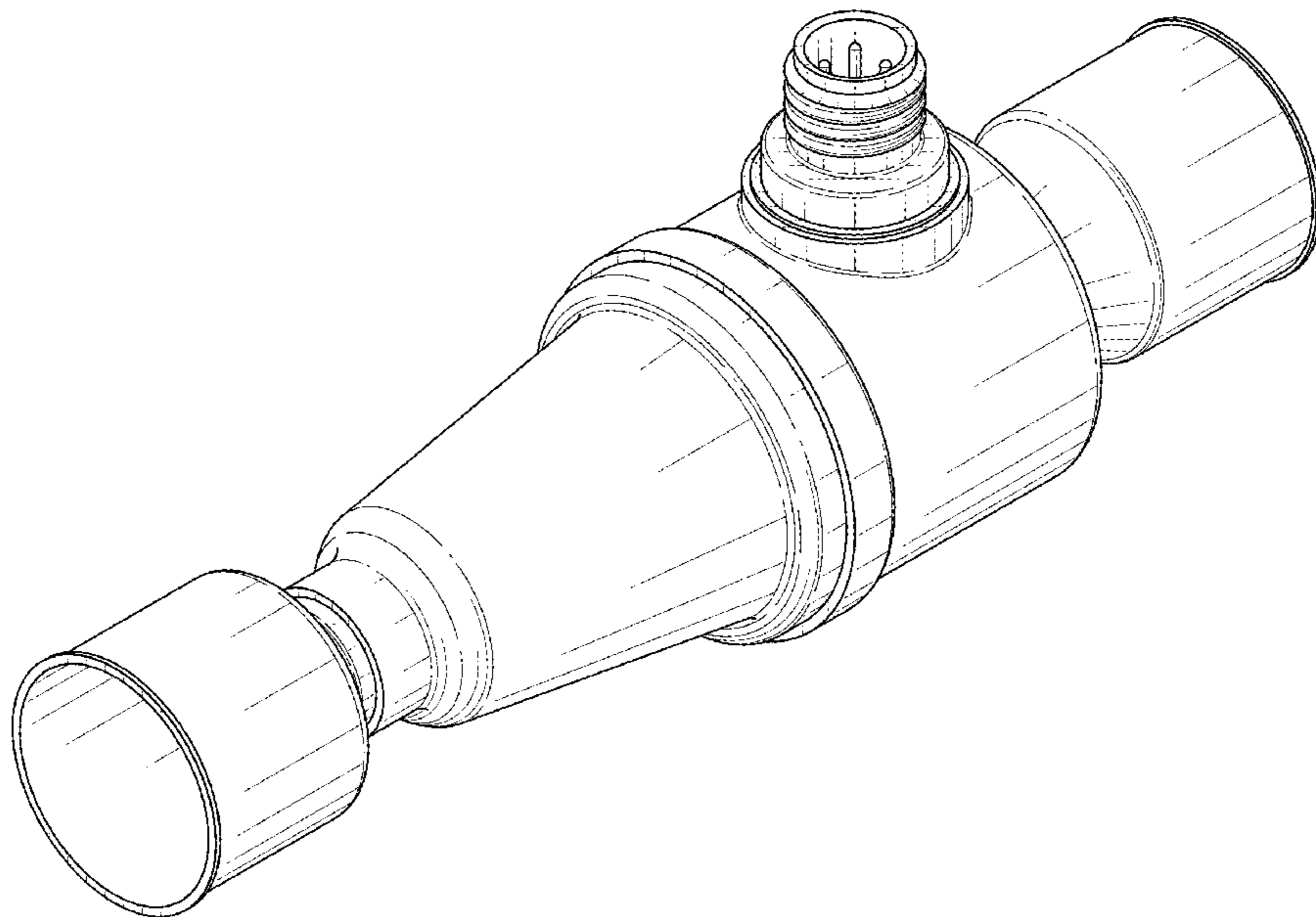
(57) **CLAIM**

The ornamental design for a valve, substantially as shown and described.

**DESCRIPTION**

FIG. 1 is a front, top, left-hand side perspective view of a valve showing our new design;  
 FIG. 2 is a front view thereof;  
 FIG. 3 is a rear view thereof;  
 FIG. 4 is a top view thereof;  
 FIG. 5 is a bottom view thereof;  
 FIG. 6 is a left-hand side view thereof; and,  
 FIG. 7 is a right-hand side view thereof.  
 The broken lines shown in the drawings illustrate unclaimed portions of the valve and form no part of the claimed design.

**1 Claim, 7 Drawing Sheets**



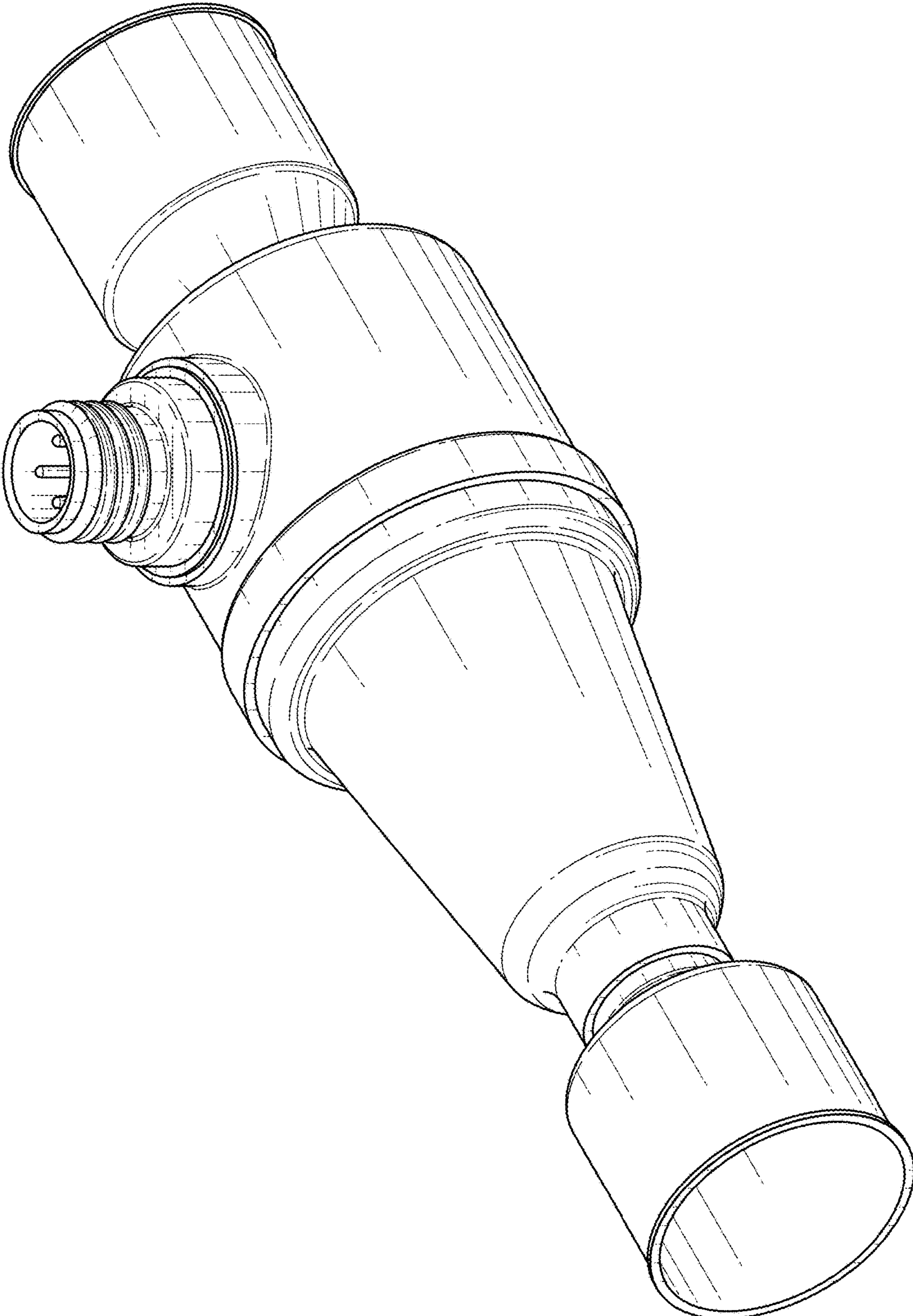


FIG. 1

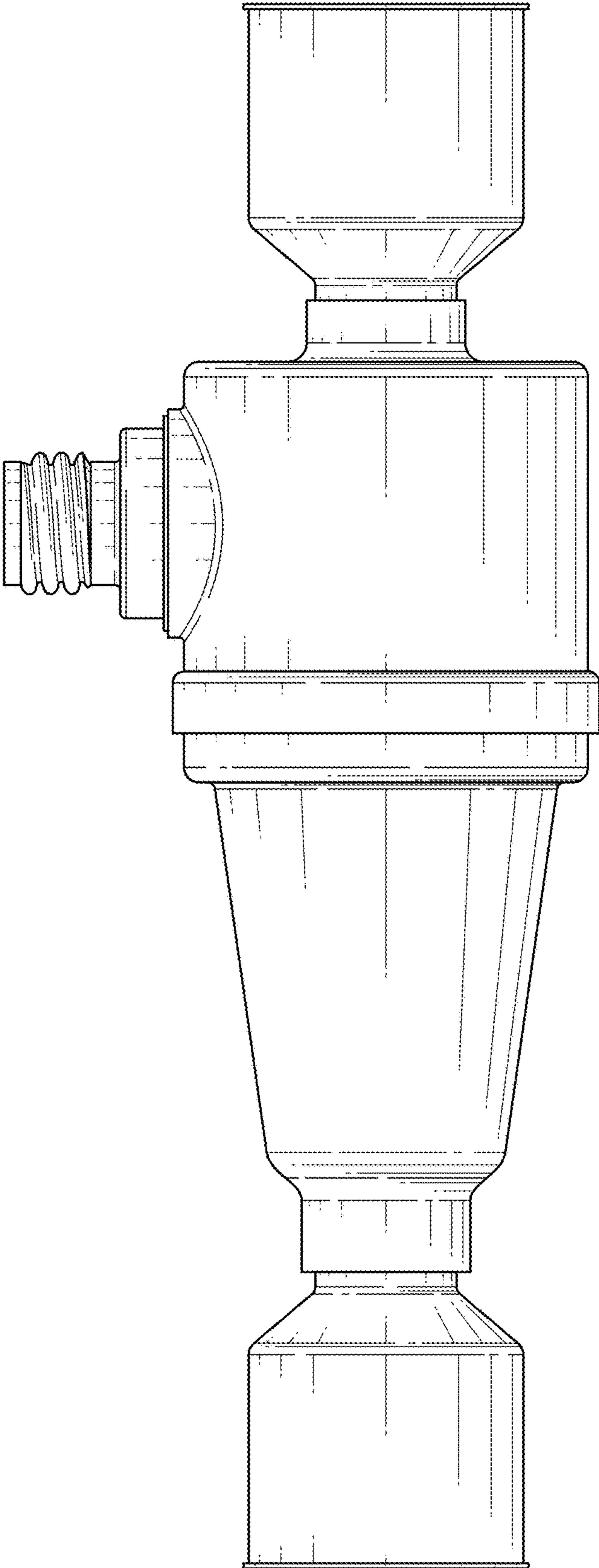


FIG. 2

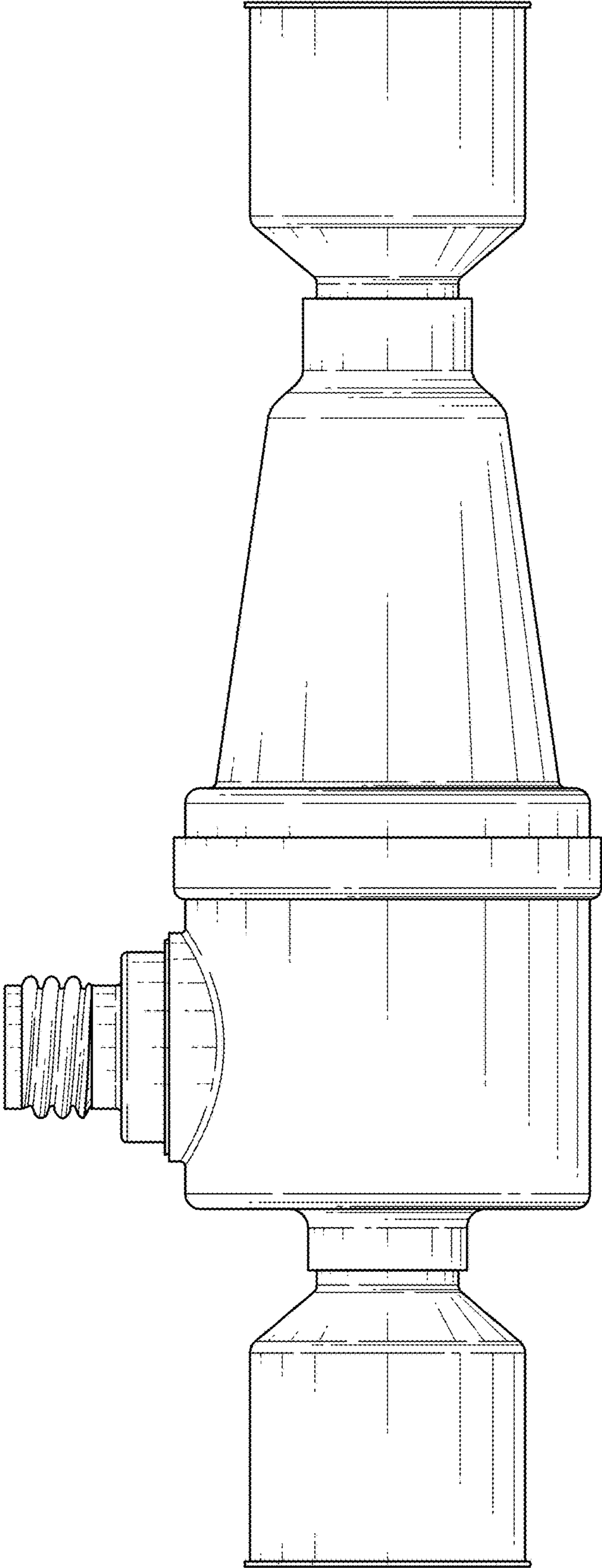


FIG. 3

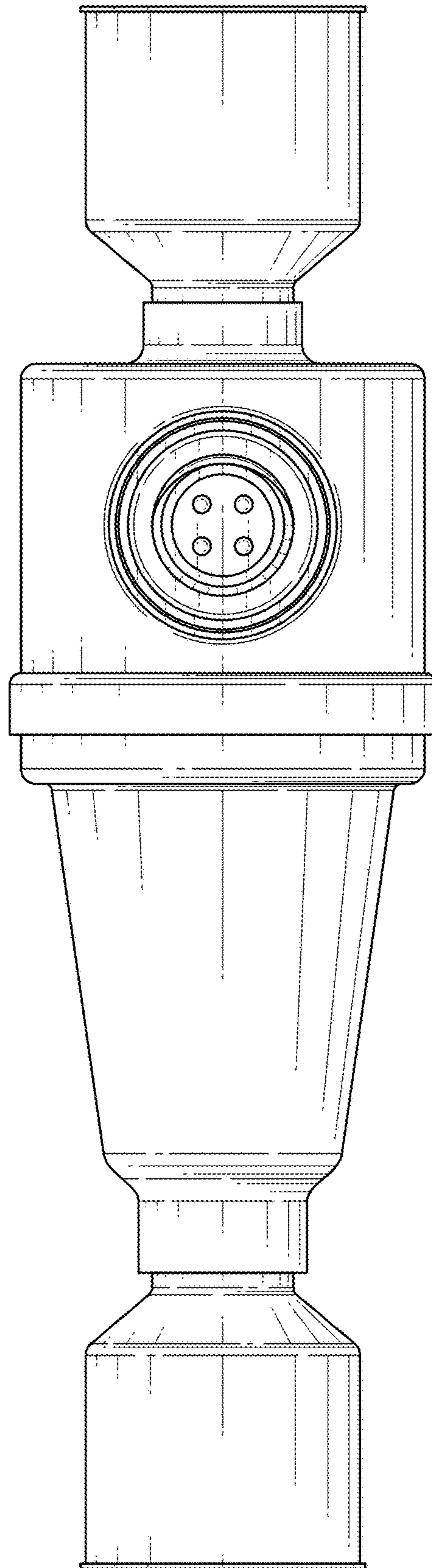


FIG. 4

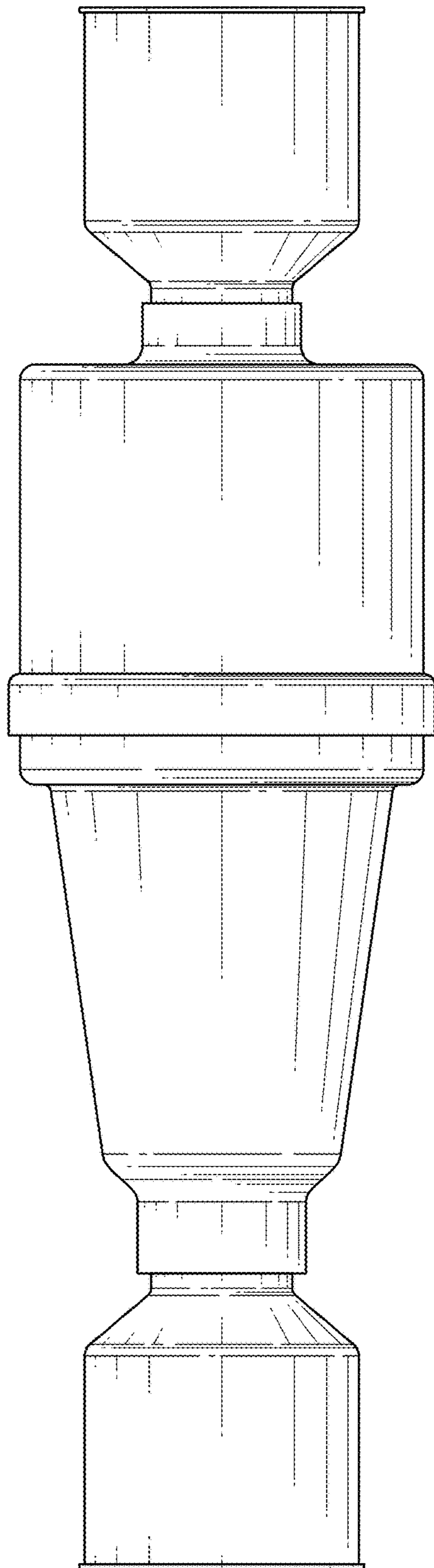


FIG. 5

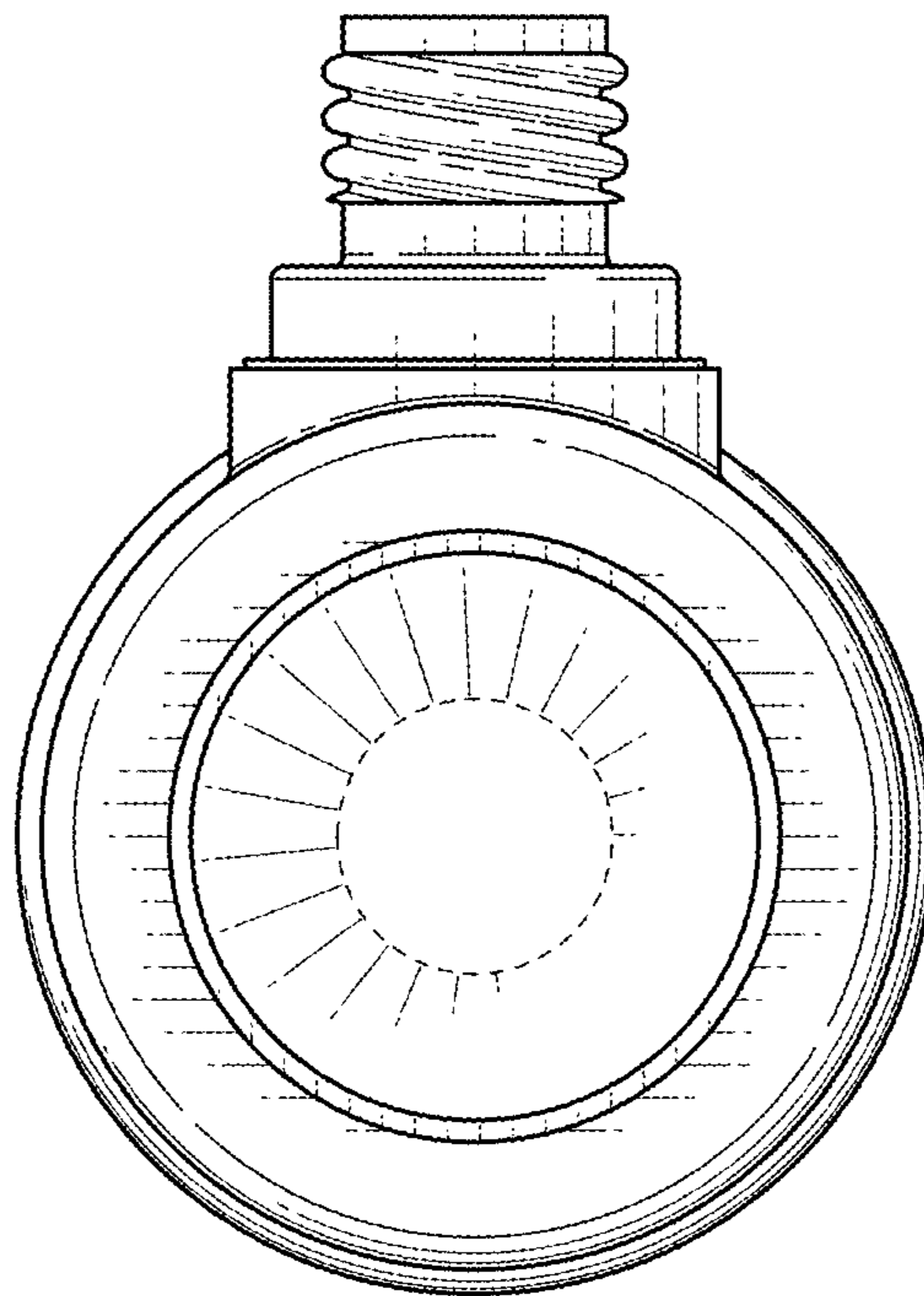


FIG. 6

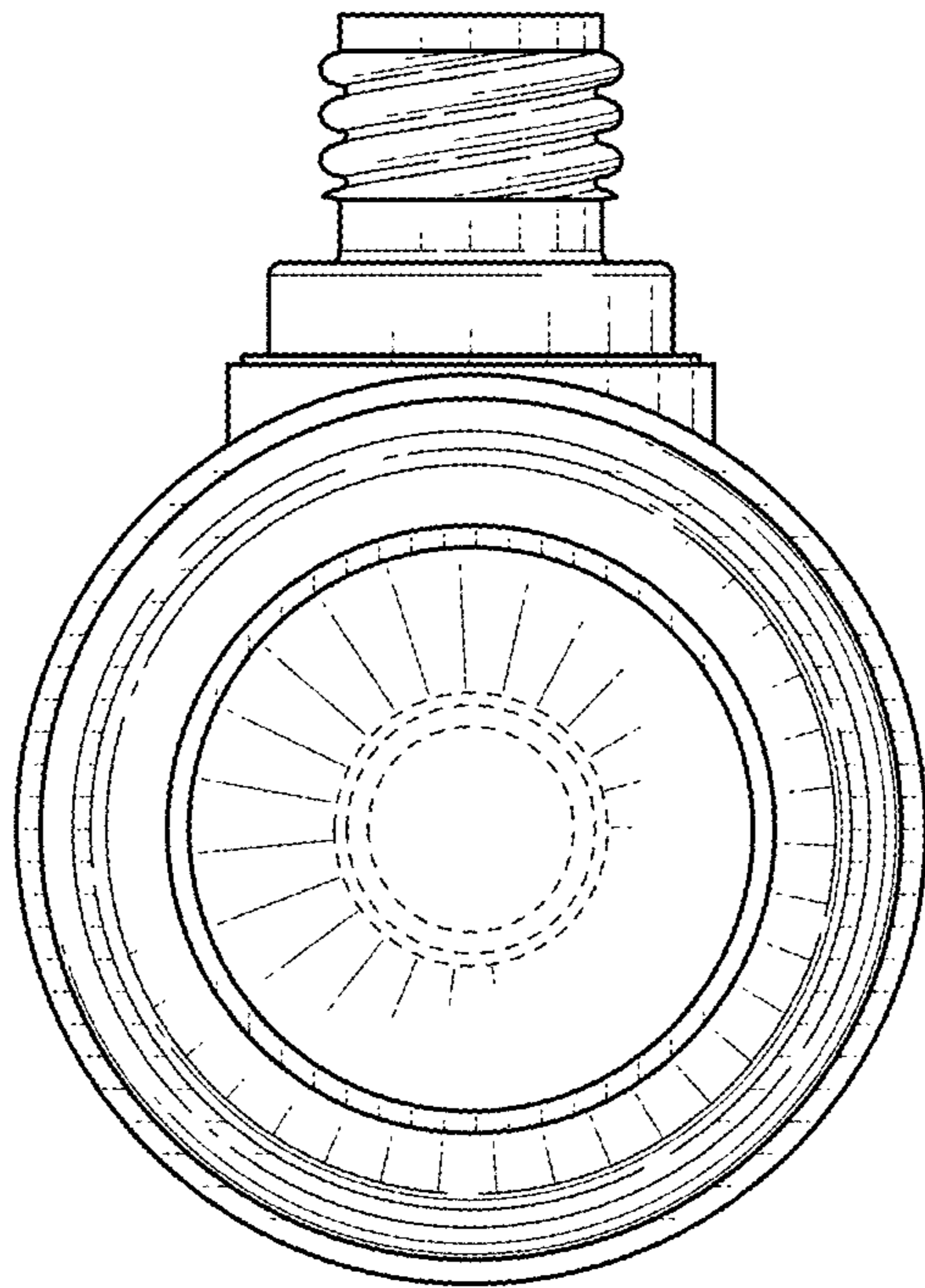


FIG. 7