



US00D813350S

(12) **United States Design Patent**  
**Zhadanov**

(10) **Patent No.:** **US D813,350 S**

(45) **Date of Patent:** **\*\* \*Mar. 20, 2018**

(54) **SHOWERHEAD**

D527,440 S \* 8/2006 Macan ..... D23/213  
D531,261 S \* 10/2006 Tse ..... D23/213  
D626,625 S \* 11/2010 Lee ..... D23/229

(76) Inventor: **Eli Zhadanov**, Brooklyn, NY (US)

\* cited by examiner

(\* ) Notice: This patent is subject to a terminal disclaimer.

*Primary Examiner* — Robin V Webster

(\*\* ) Term: **14 Years**

(74) *Attorney, Agent, or Firm* — Henry M. Feiereisen, LLC

(21) Appl. No.: **29/423,488**

(57) **CLAIM**

(22) Filed: **Jun. 1, 2012**

The ornamental design for a showerhead, as shown and described.

(51) **LOC (11) Cl.** ..... **23-01**

**DESCRIPTION**

(52) **U.S. Cl.**  
USPC ..... **D23/229**

(58) **Field of Classification Search**  
USPC ..... D23/213, 229, 230; 239/282, 283, 462  
See application file for complete search history.

FIG. 1 is a perspective view of a showerhead showing my new design;

FIG. 2 is a front elevational view of the showerhead showing my new design; and,

FIG. 3 is a right side elevational view of the showerhead showing my new design, with a left side elevational view, a top view and a bottom view being mirror images thereof.

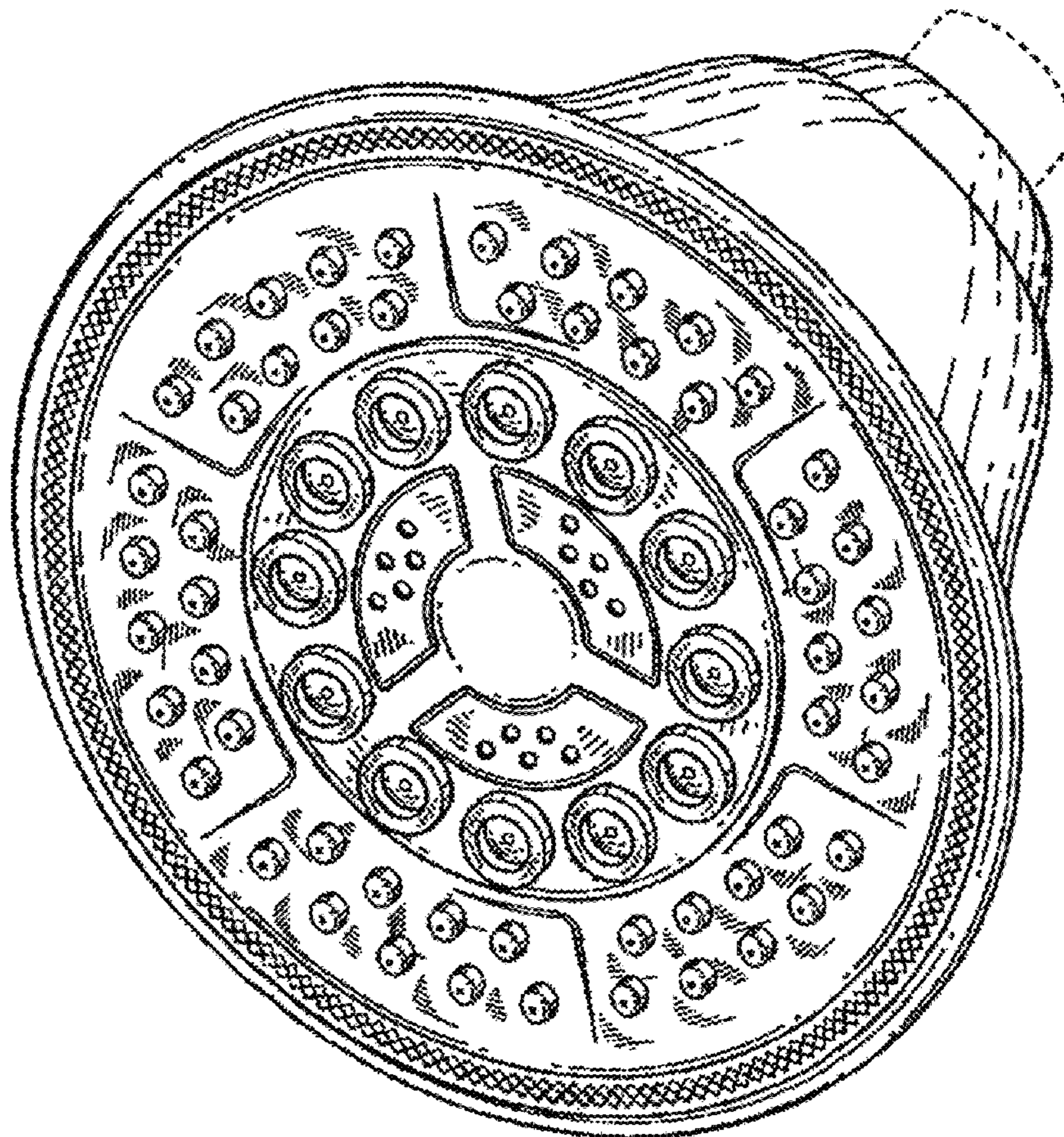
The broken line showing is included for the purpose of illustrating and forms no part of the claimed design.

(56) **References Cited**

U.S. PATENT DOCUMENTS

2,975,980 A \* 3/1961 Siebert et al. .... 239/316  
D500,121 S \* 12/2004 Blomstrom ..... D23/213

**1 Claim, 3 Drawing Sheets**



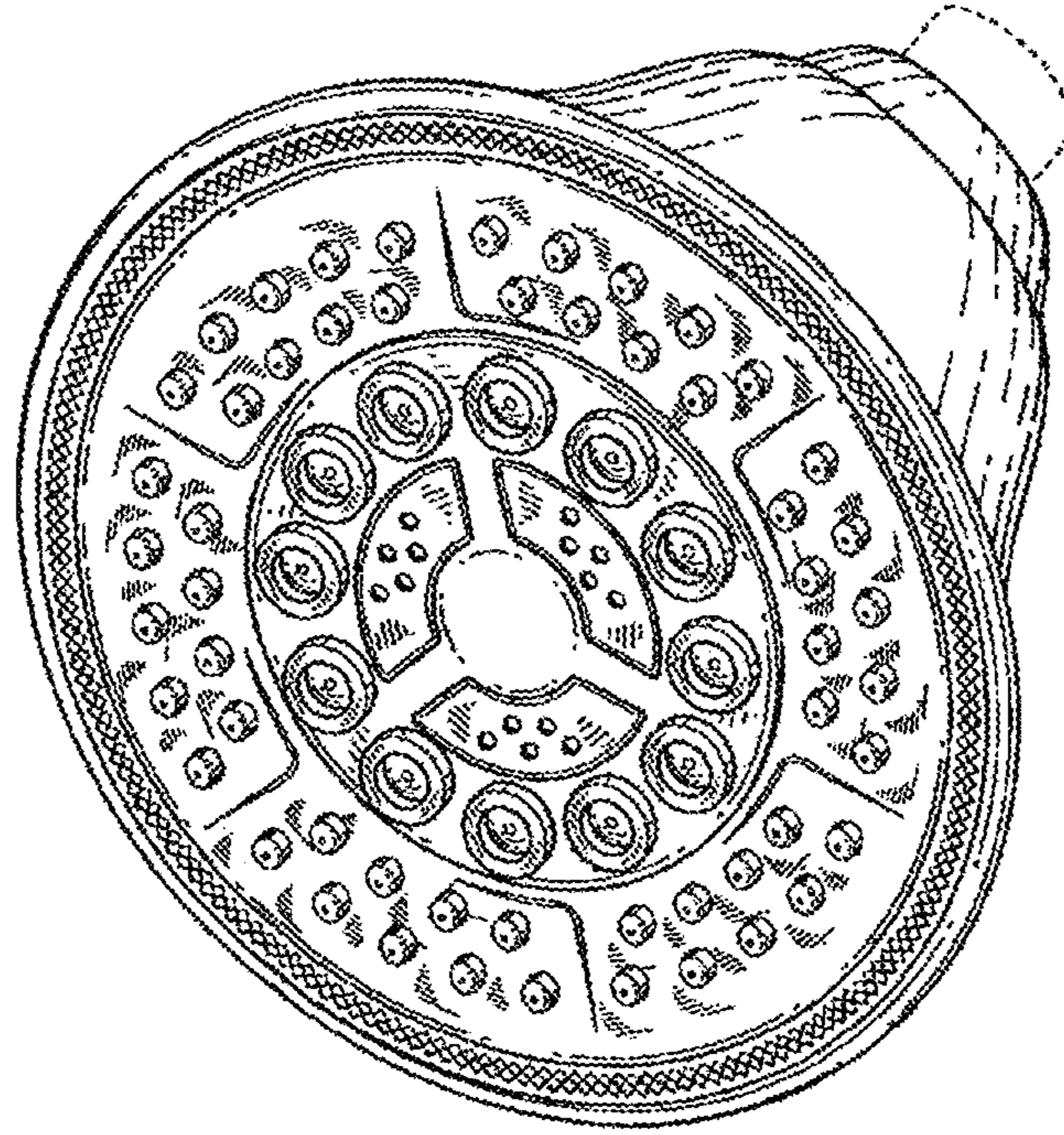
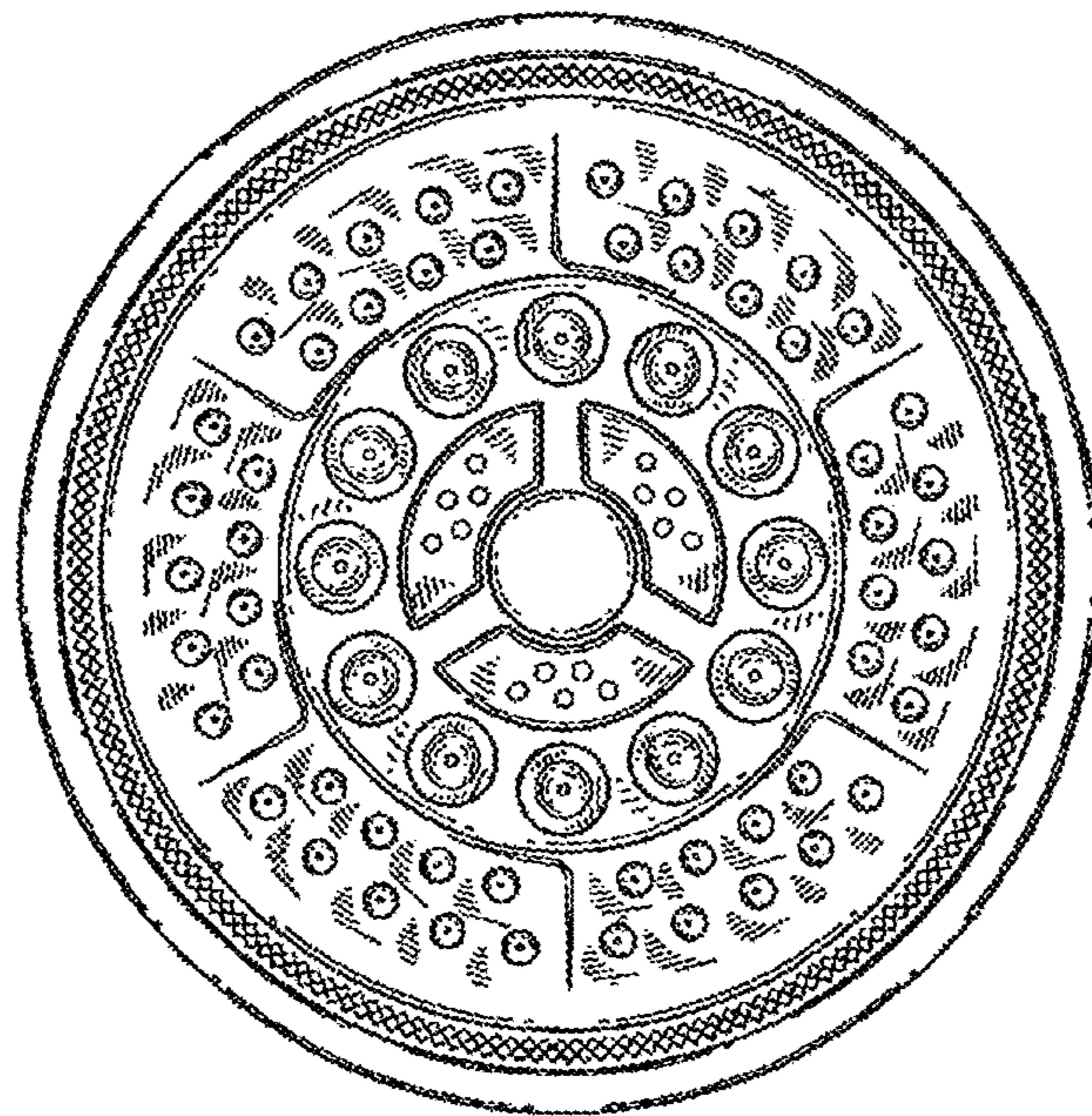


FIG. 1



**FIG. 2**

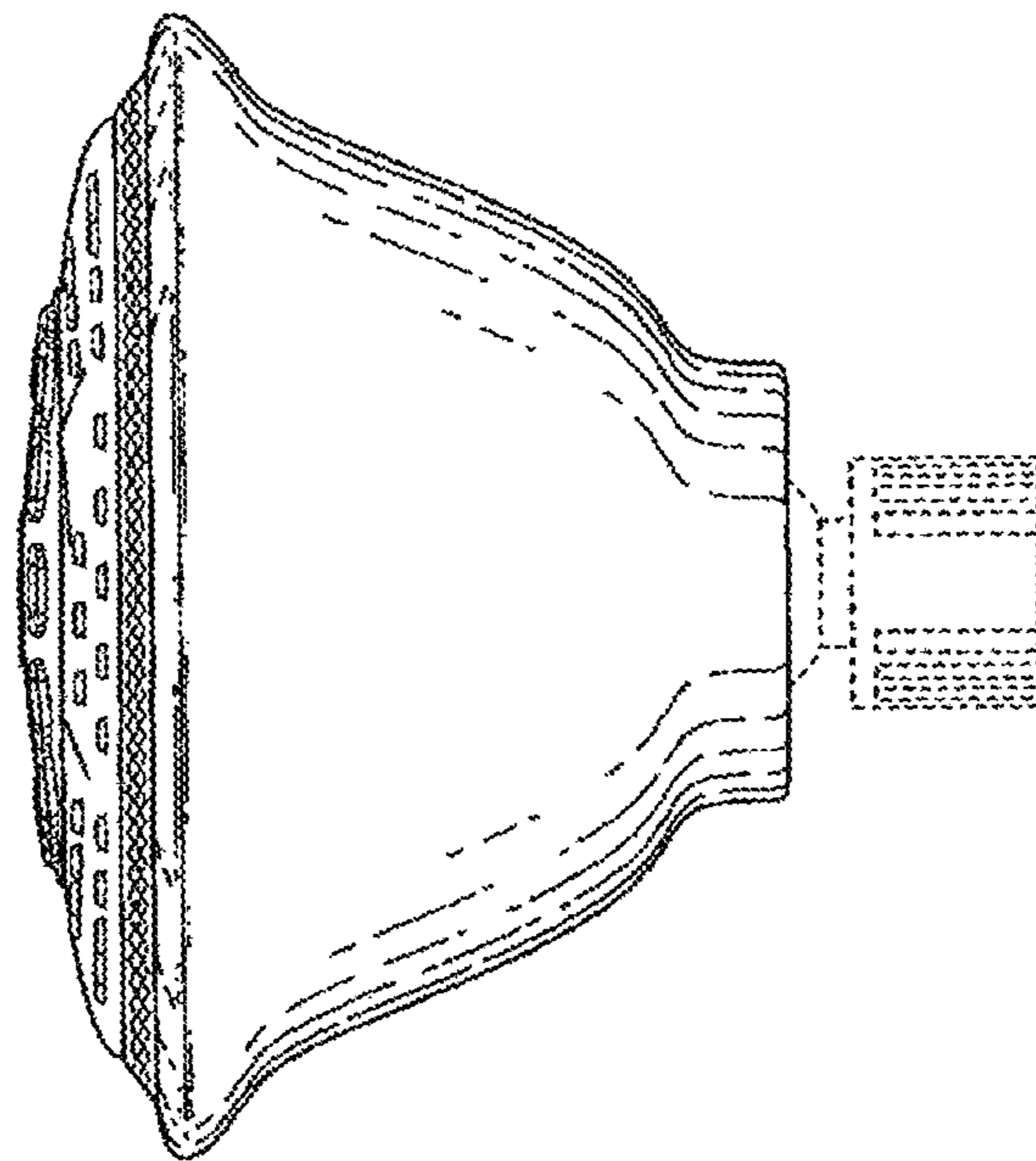


FIG. 3