



US00D813345S

(12) **United States Design Patent**  
**Wilson**

(10) **Patent No.:** **US D813,345 S**

(45) **Date of Patent:** **\*\* Mar. 20, 2018**

(54) **FISHING KNIFE**

D654,144 S \* 2/2012 Karlsson ..... D22/118  
D713,927 S \* 9/2014 Albanese ..... D22/149  
D720,035 S \* 12/2014 Mills ..... D22/118

(71) Applicant: **Kevin D. Wilson**, Bloomsdale, MO  
(US)

\* cited by examiner

(72) Inventor: **Kevin D. Wilson**, Bloomsdale, MO  
(US)

*Primary Examiner* — Catherine R Oliver-Garcia  
(74) *Attorney, Agent, or Firm* — Stinson Leonard Street  
LLP

(\*\*) Term: **15 Years**

(21) Appl. No.: **29/550,042**

(57) **CLAIM**

(22) Filed: **Dec. 30, 2015**

The ornamental design for a fishing knife, as shown and described.

(51) **LOC (11) Cl.** ..... **22-05**

(52) **U.S. Cl.**  
USPC ..... **D22/149**

**DESCRIPTION**

(58) **Field of Classification Search**  
USPC ..... D22/149, 118, 199; 452/128, 132, 103;  
D8/95-99; D3/28; 43/4, 53.5; D7/650;  
30/279.2, 287, 294, 355, 408, 144  
CPC ..... A22C 25/17; A22C 25/006; B26B 11/006;  
G01G 19/60; G01G 3/02  
See application file for complete search history.

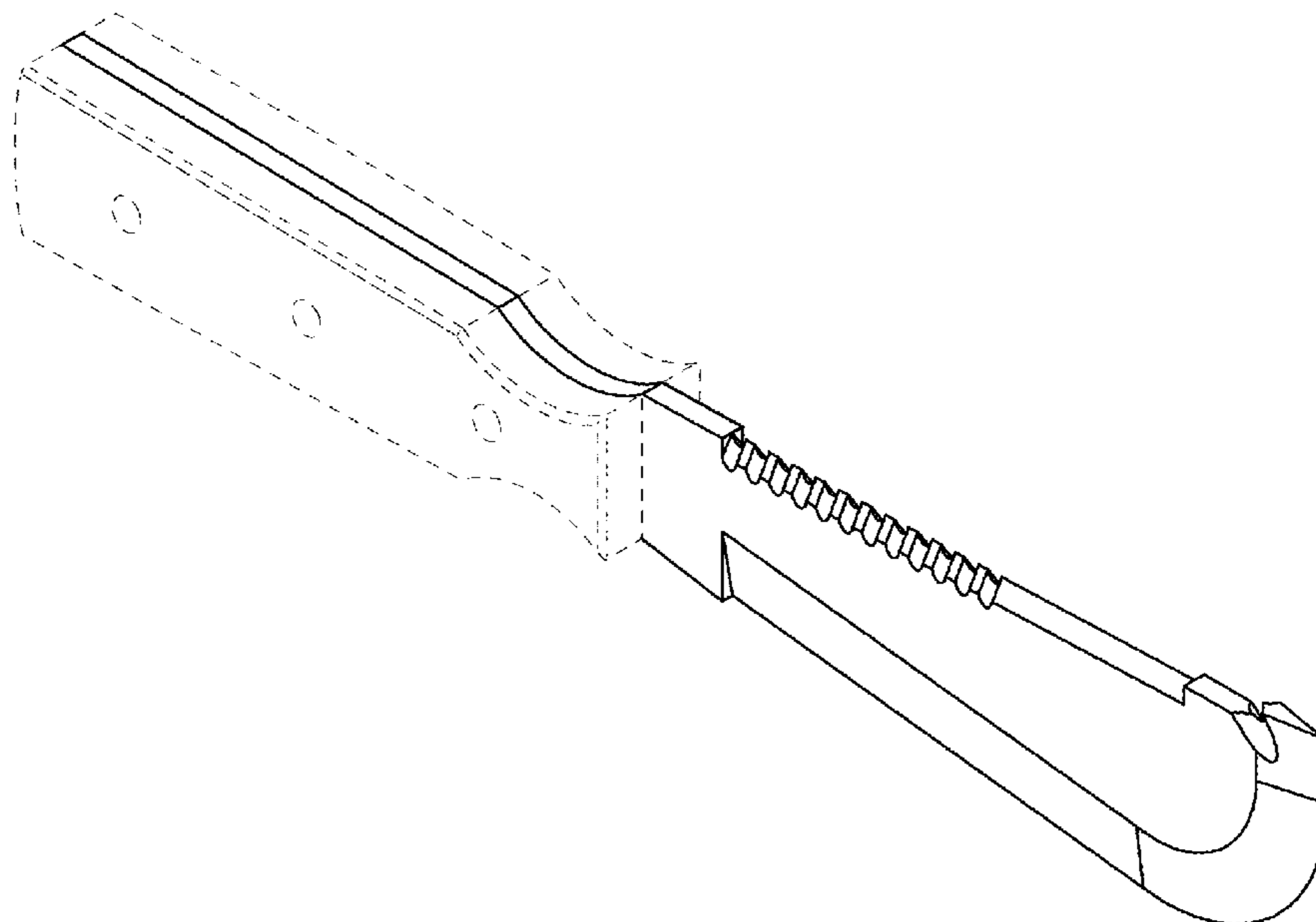
FIG. 1 is a perspective view of one embodiment of a fishing knife of our new design.  
FIG. 2 is a front elevation view thereof.  
FIG. 3 is a rear elevation view thereof.  
FIG. 4 is a right side elevation view thereof.  
FIG. 5 is a left side elevation view thereof.  
FIG. 6 is a top plan view thereof.  
FIG. 7 is a bottom plan view thereof.  
FIG. 8 is a perspective view of another embodiment of a fishing knife of our new design.  
FIG. 9 is a front elevation view thereof.  
FIG. 10 is a rear elevation view thereof.  
FIG. 11 is a right side elevation view thereof.  
FIG. 12 is a left side elevation view thereof.  
FIG. 13 is a top plan view thereof; and,  
FIG. 14 is a bottom plan view thereof.  
The broken lines in the drawings indicate environmental structure that form no part of the design to be patented.

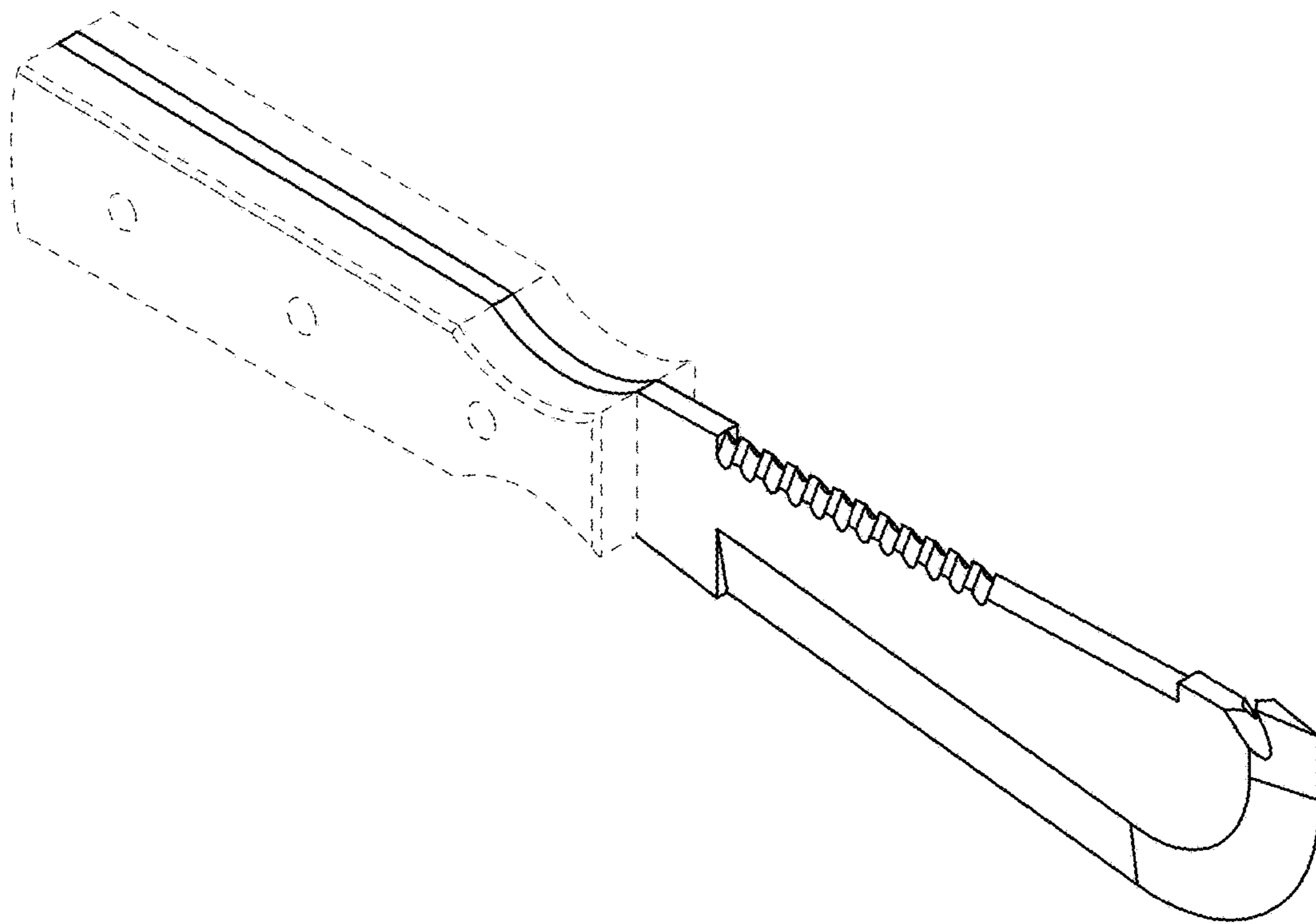
(56) **References Cited**

**U.S. PATENT DOCUMENTS**

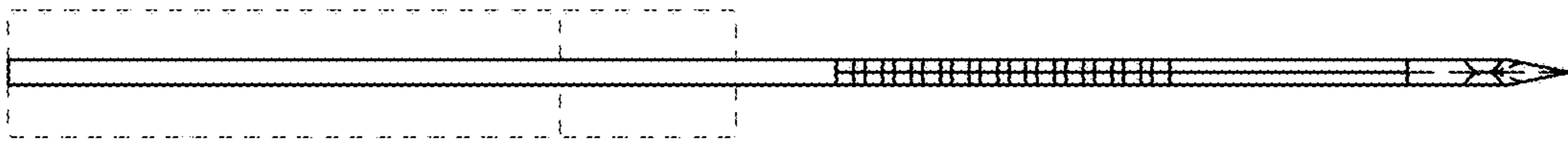
1,171,241 A \* 2/1916 Potter ..... A22C 25/025  
30/144  
D152,727 S \* 2/1949 Peterson ..... 43/53.5  
3,163,885 A \* 1/1965 Dumas ..... A22C 25/17  
452/128  
D204,671 S \* 5/1966 McEvoy ..... D22/149  
D270,655 S \* 9/1983 Collins ..... D22/118  
D282,097 S \* 1/1986 Nativo ..... D22/118  
D375,995 S 11/1996 Thompson  
D503,873 S 4/2005 Bodum  
D557,082 S 12/2007 Koelewyn

**1 Claim, 8 Drawing Sheets**

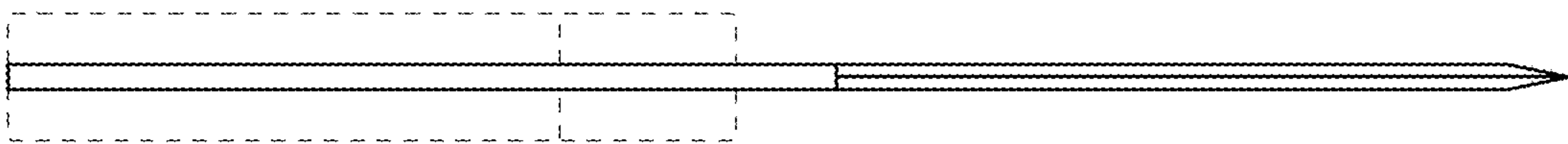




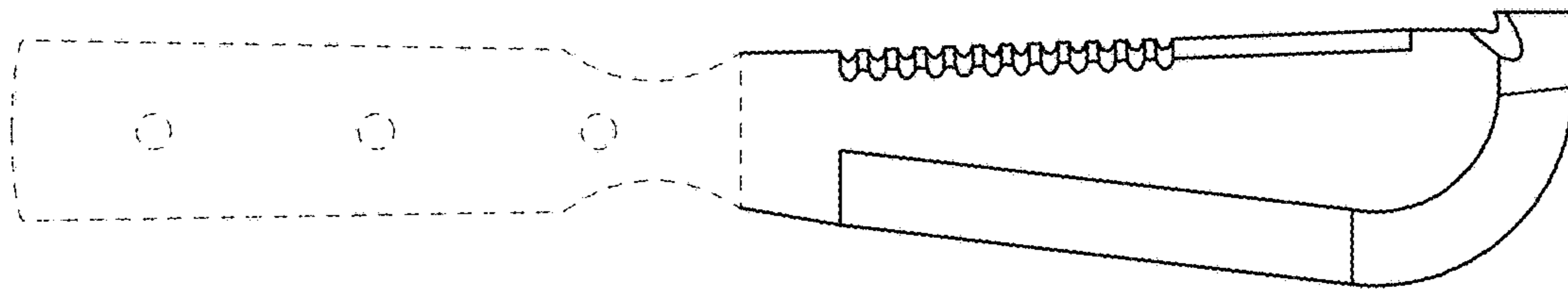
**FIG. 1**



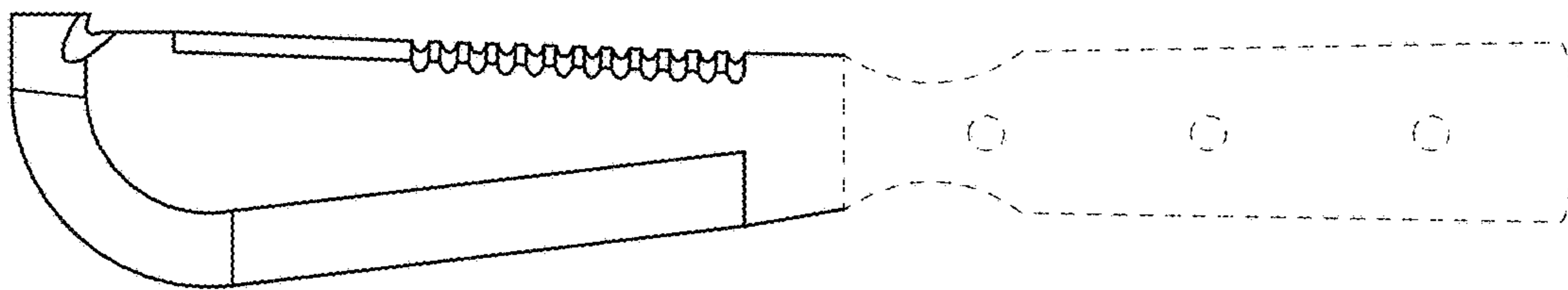
**FIG. 2**



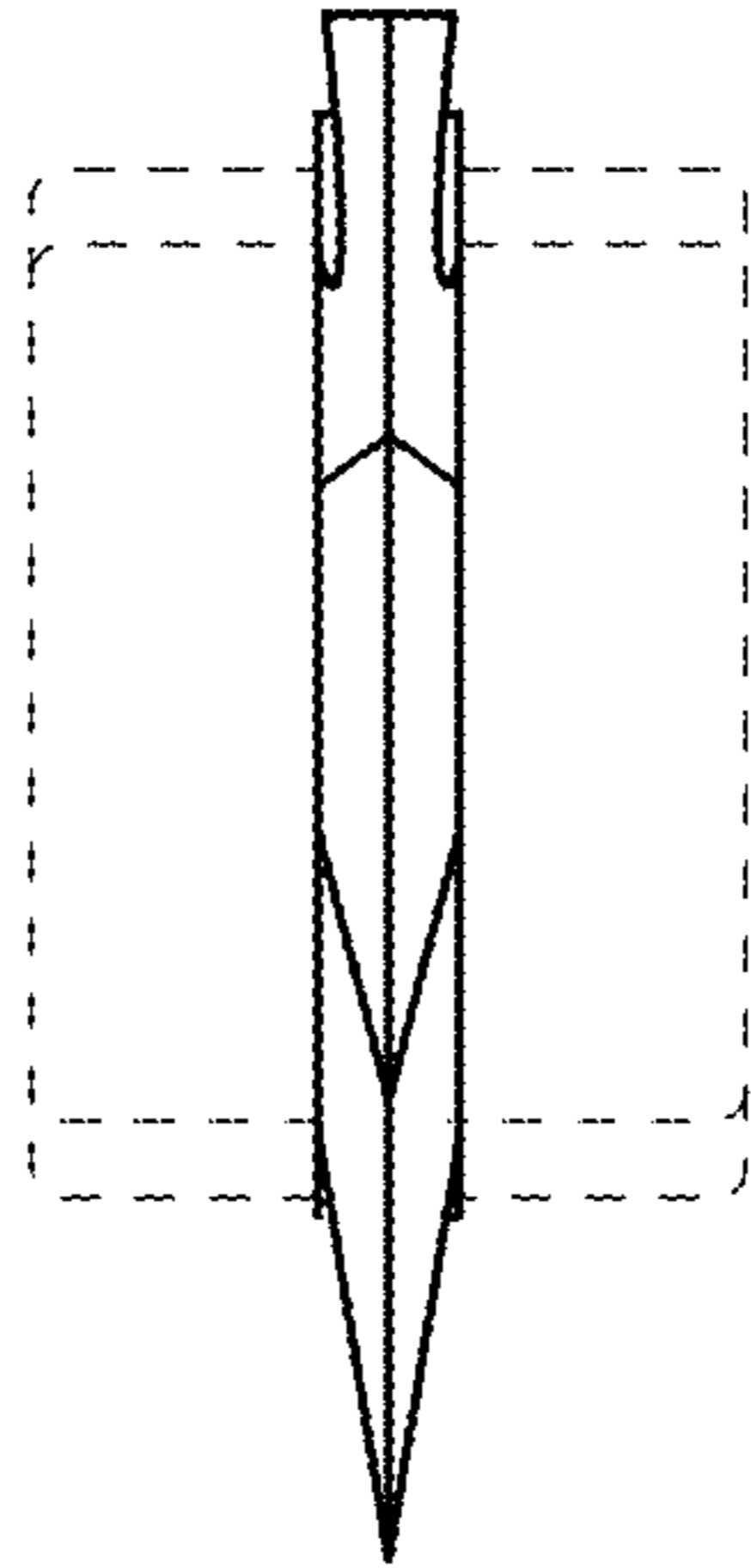
**FIG. 3**



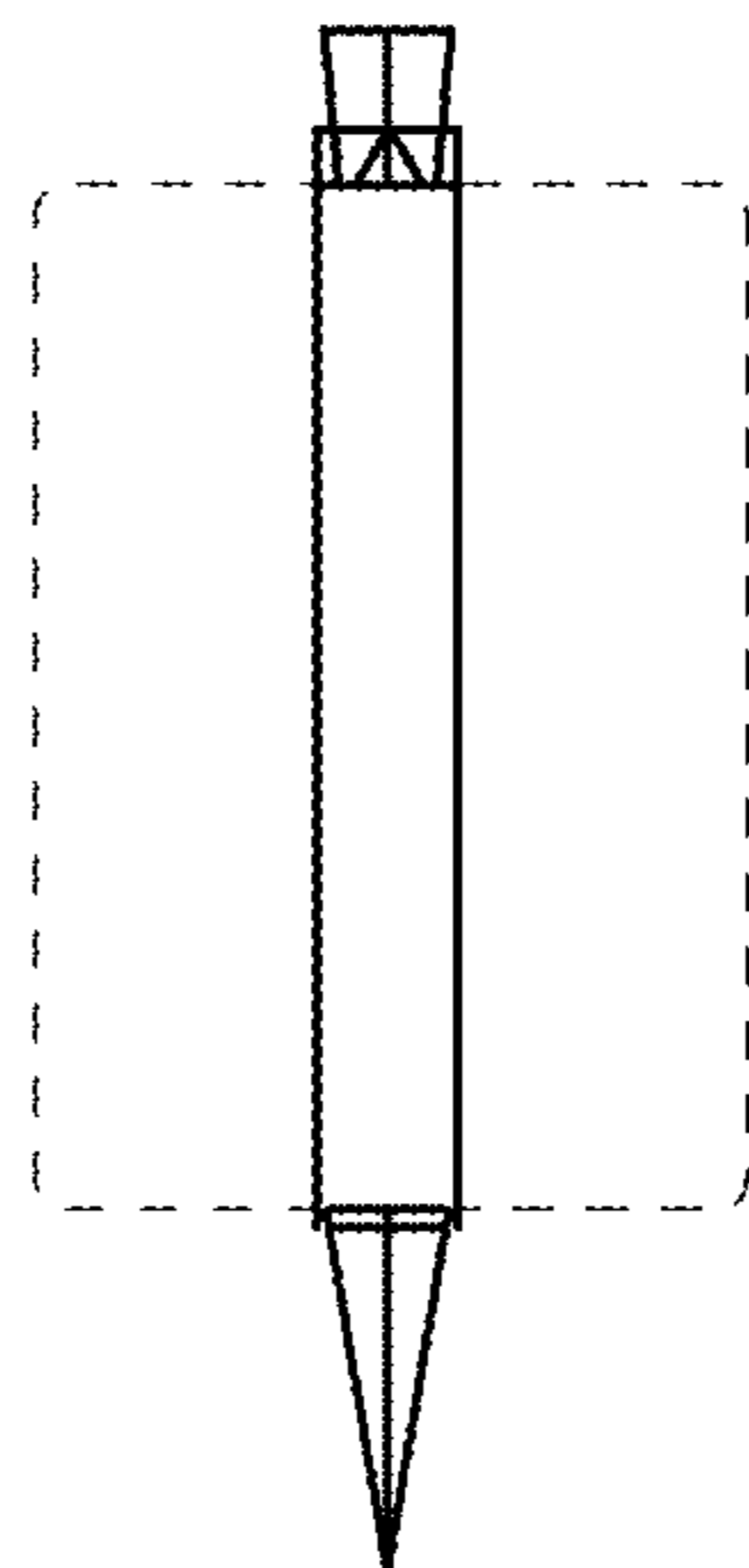
**FIG. 4**



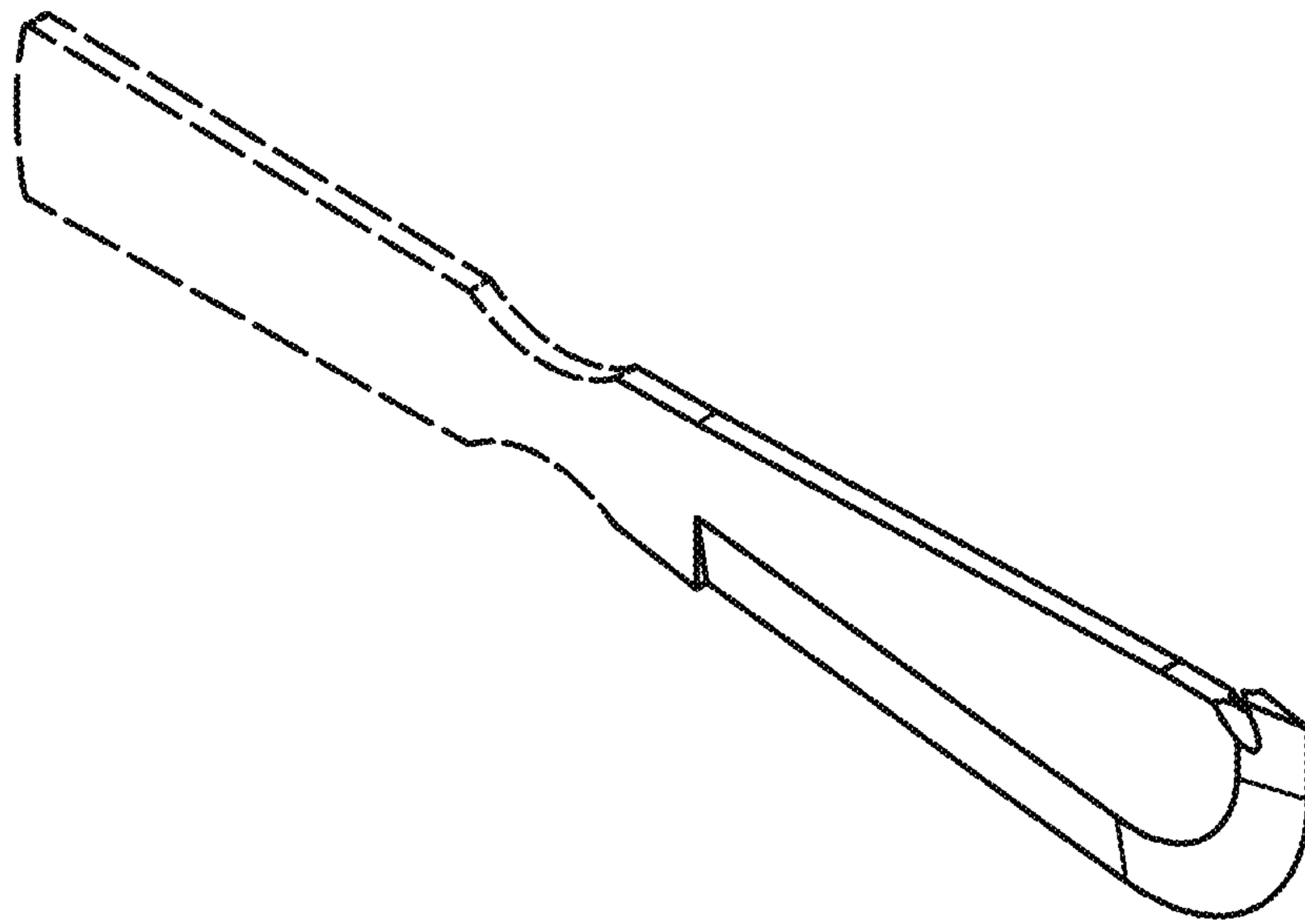
**FIG. 5**



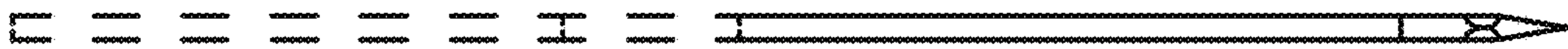
**FIG. 6**



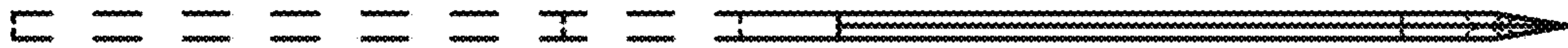
**FIG. 7**



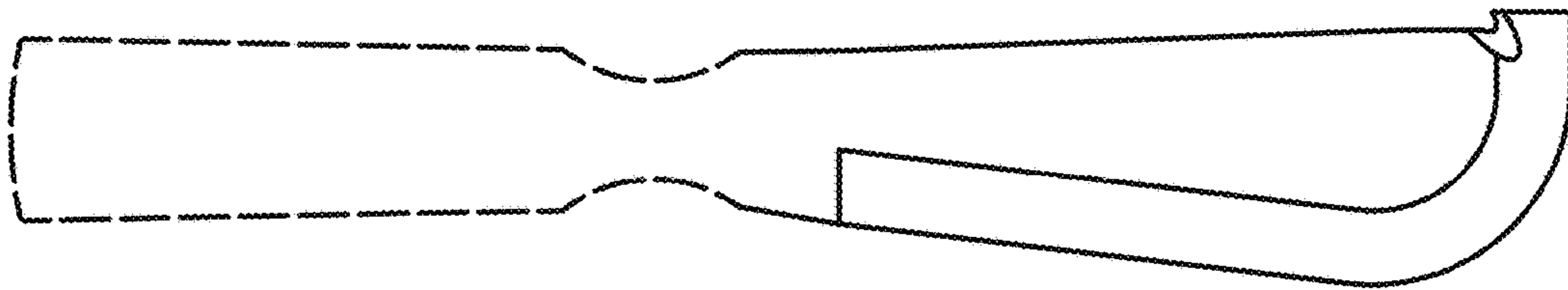
**FIG. 8**



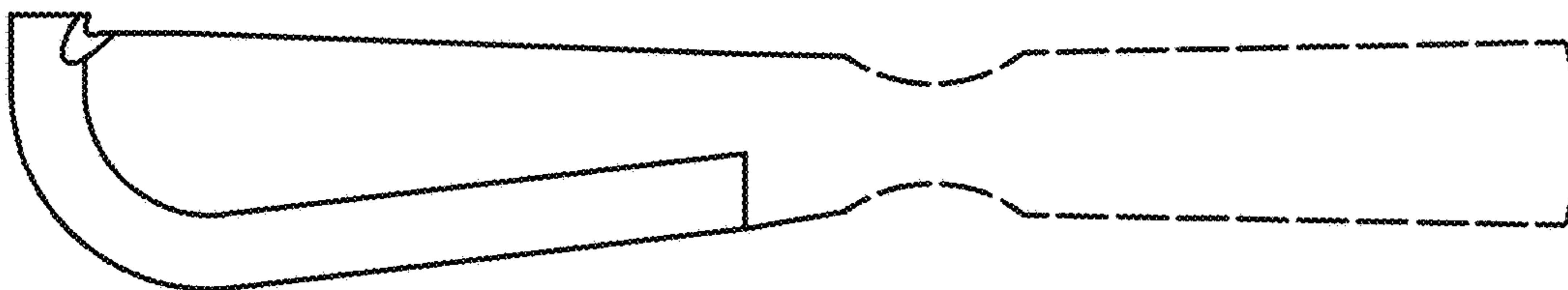
**FIG. 9**



**FIG. 10**



**FIG. 11**  
(Right Side View)



**FIG. 12**  
(Left Side View)





**FIG. 13**



**FIG. 14**