



US00D813344S

(12) **United States Design Patent** (10) **Patent No.:** **US D813,344 S**
Borovicka et al. (45) **Date of Patent:** **** Mar. 20, 2018**

(54) **WEARABLE INSECT CONTROL CLIP**

(71) Applicant: **Charcoal Companion Incorporated**,
Berkeley, CA (US)

(72) Inventors: **Cory Thomas Borovicka**, Oakland, CA
(US); **Bennett Gershkow**, San
Francisco, CA (US)

(73) Assignee: **Charcoal Companion Incorporated**,
Berkeley, CA (US)

(**) Term: **15 Years**

(21) Appl. No.: **29/586,430**

(22) Filed: **Dec. 2, 2016**

(51) **LOC (11) Cl.** **22-06**

(52) **U.S. Cl.**
USPC **D22/122**

(58) **Field of Classification Search**
USPC D22/119–124; D30/152; 119/654, 863
CPC ... A01K 27/00; A01K 27/007; A01M 1/2044;
A01M 29/12
See application file for complete search history.

(56) **References Cited**

U.S. PATENT DOCUMENTS

D359,926 S *	7/1995	Plummer	D22/122
D702,313 S *	4/2014	Partrat	D22/122
D702,315 S *	4/2014	Partrat	D22/122
8,956,635 B2	2/2015	O'Hara et al.		
9,185,898 B2	11/2015	McIntyre		
D754,278 S *	4/2016	Finkel	D22/119

OTHER PUBLICATIONS

Amazon, Mosquito Repellent Bracelet Band, earliest review date—
Jun. 2017.*

Amazon, Not In My Backyard Silicone Wearable Clip All Natural
Essential Oils Mosquito & Insect Repellent, Sep. 2017.*
Amazon.com; Hoont8482 Natural Mosquito Repellent Clip by
Hoont; URL: <http://a.co/6RFgZoc>; Date Retrieved: Feb. 27, 2017.
Amazon.com; Mosquito Repellent Batman Clip by Wekom; URL:
<http://a.co/aoA19k5>; Date Retrieved: Feb. 27, 2017.

* cited by examiner

Primary Examiner — Catherine R Oliver-Garcia
(74) *Attorney, Agent, or Firm* — Beeson Skinner Beverly,
LLP

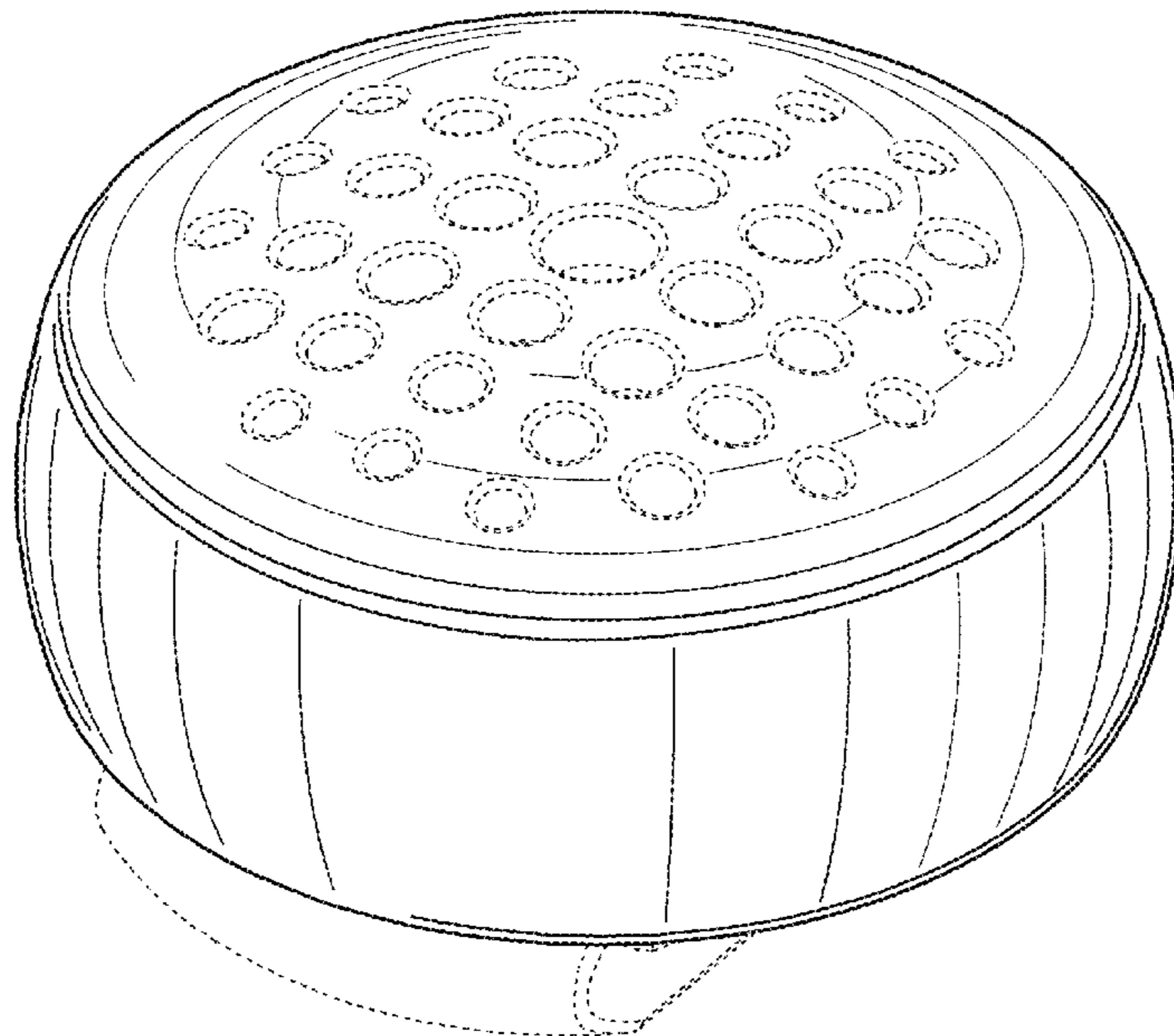
(57) **CLAIM**

The ornamental design for a wearable insect control clip, as
shown and described.

DESCRIPTION

FIG. 1 is a bottom front perspective view of a wearable
insect control clip showing our new design;
FIG. 2 is a front elevation view thereof;
FIG. 3 is a left side elevation view thereof;
FIG. 4 is a rear elevation view thereof;
FIG. 5 is a right side elevation view thereof;
FIG. 6 is a top plan view thereof; and,
FIG. 7 is a bottom plan view thereof.
The broken line showing of a hole pattern in the casing of
the wearable insect control clip is for the purpose of illus-
trating repellent vapor holes in the device. The broken line
showing of a fastening means attached to the casing is for
the purpose of illustrating means by which to clip the device
to a wearer's apparel. The aforementioned broken line
showings form no part of the claimed design.

1 Claim, 4 Drawing Sheets



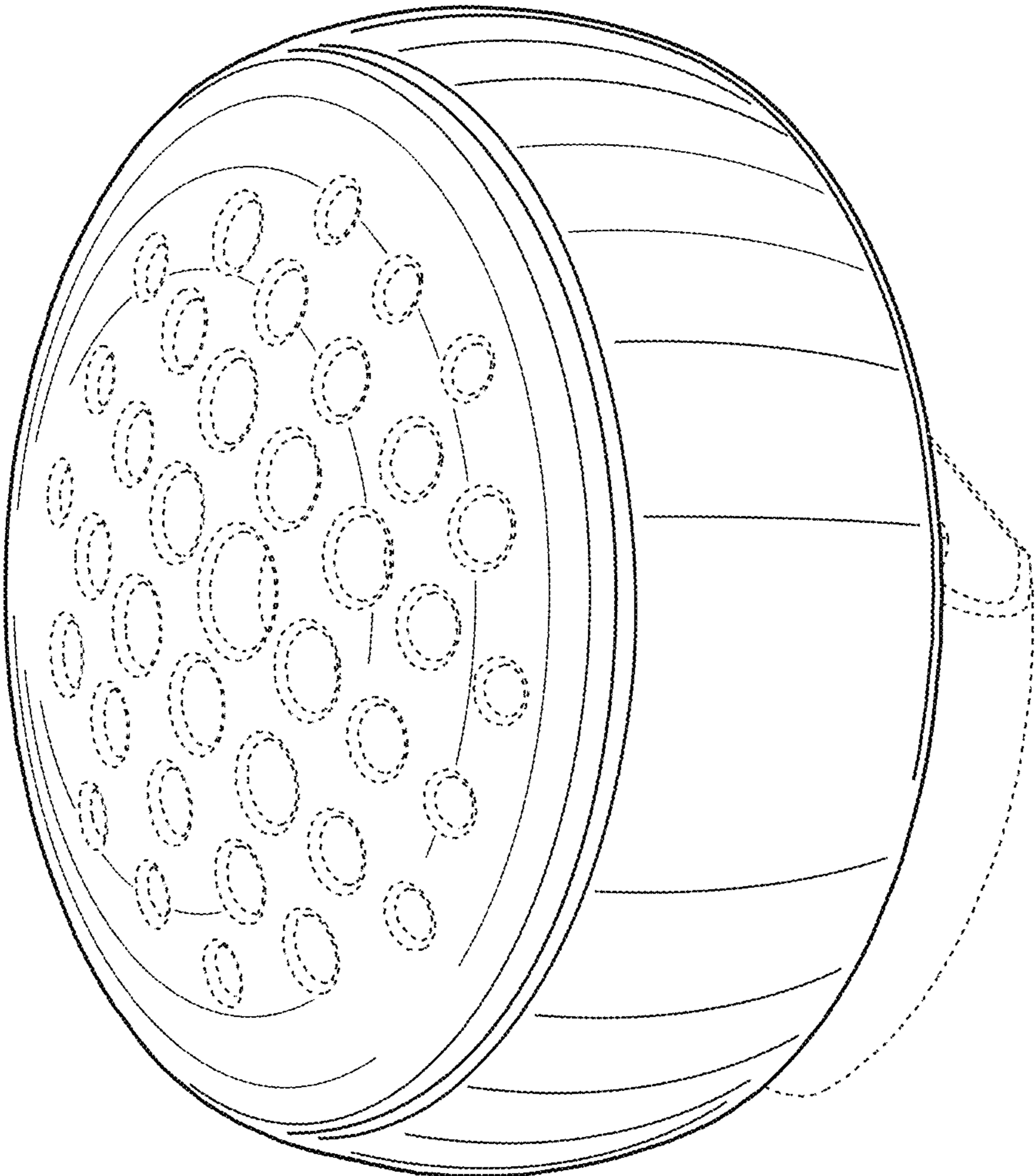


FIG. 1

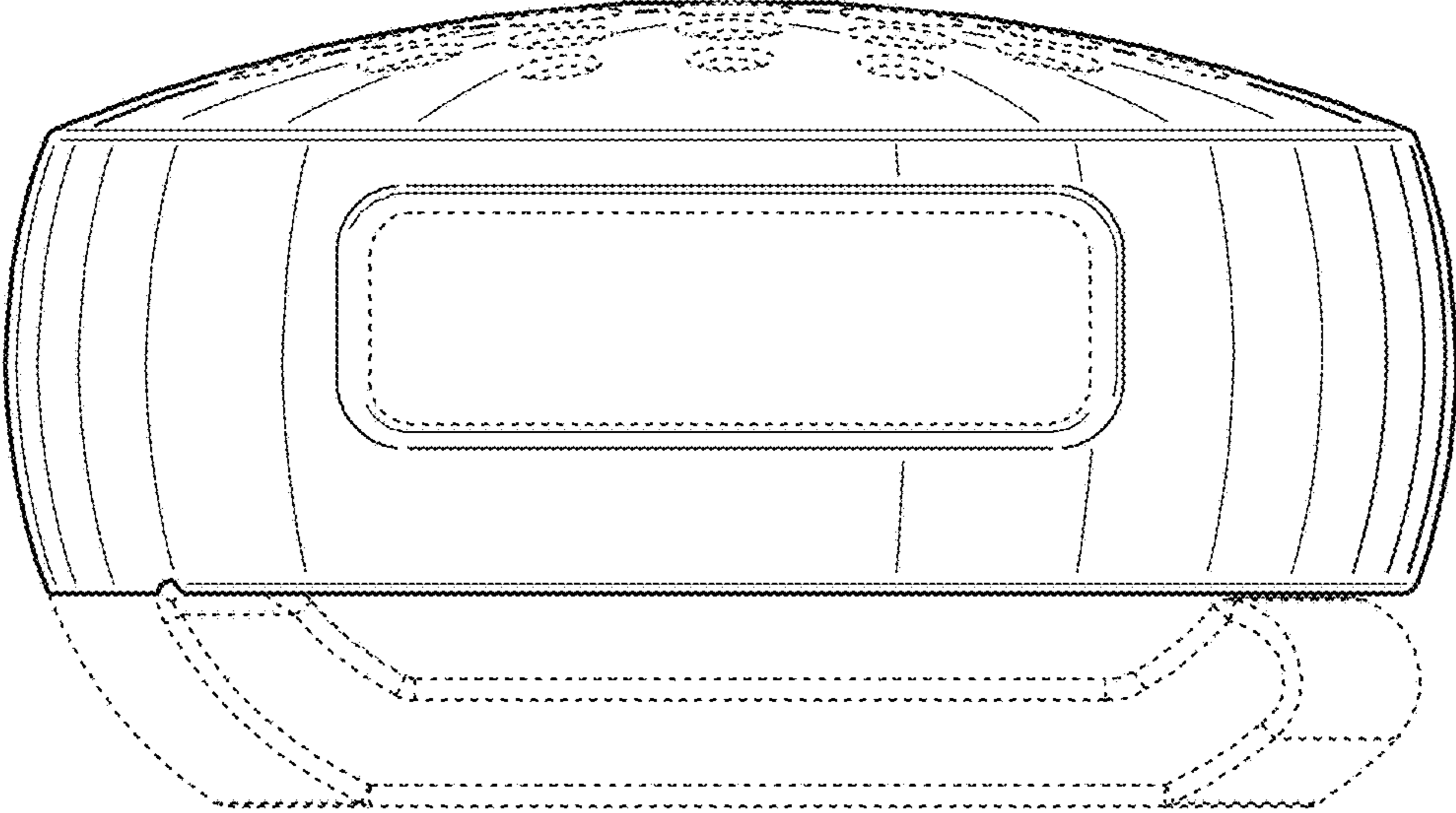


FIG. 3

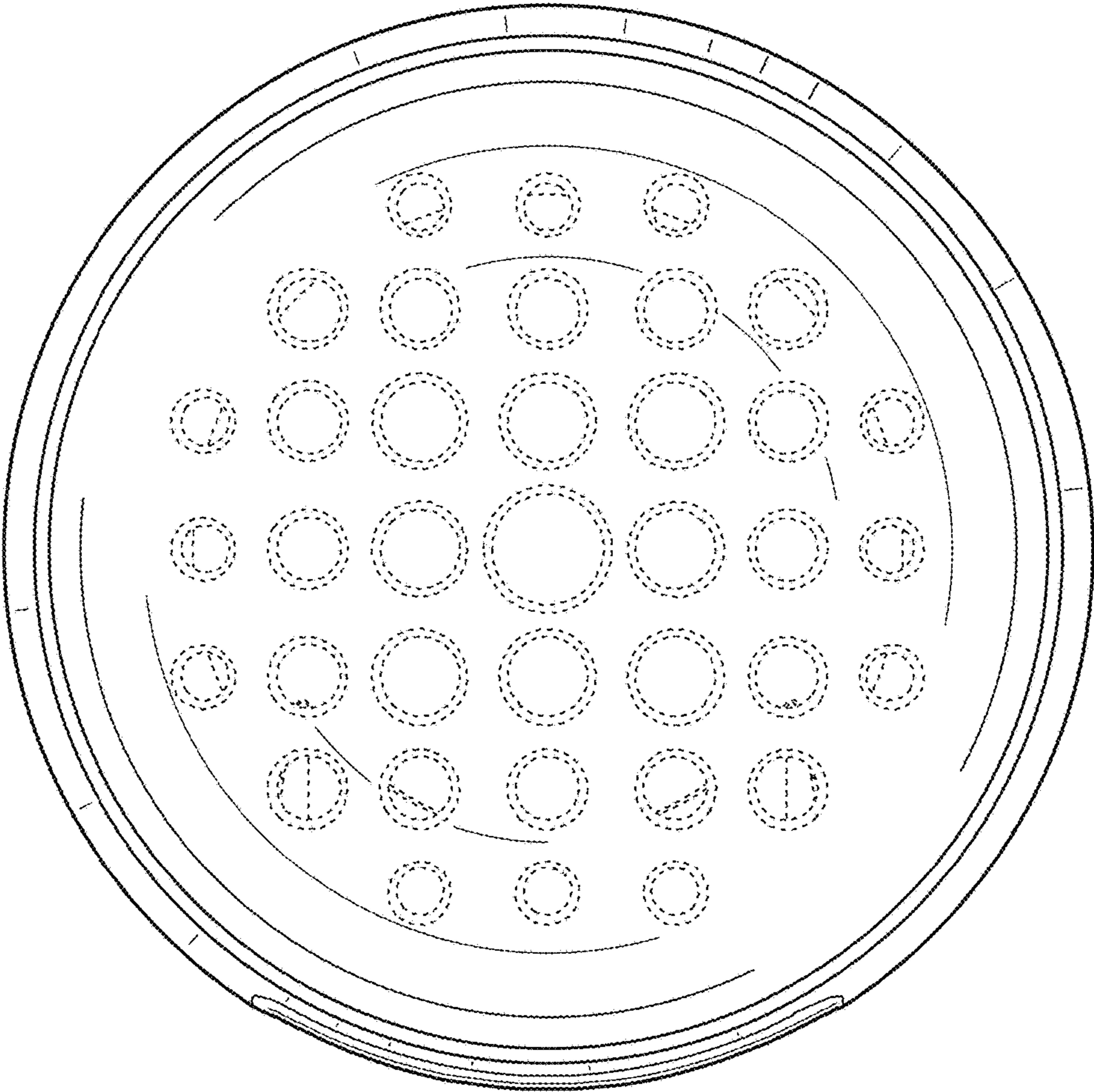


FIG. 2

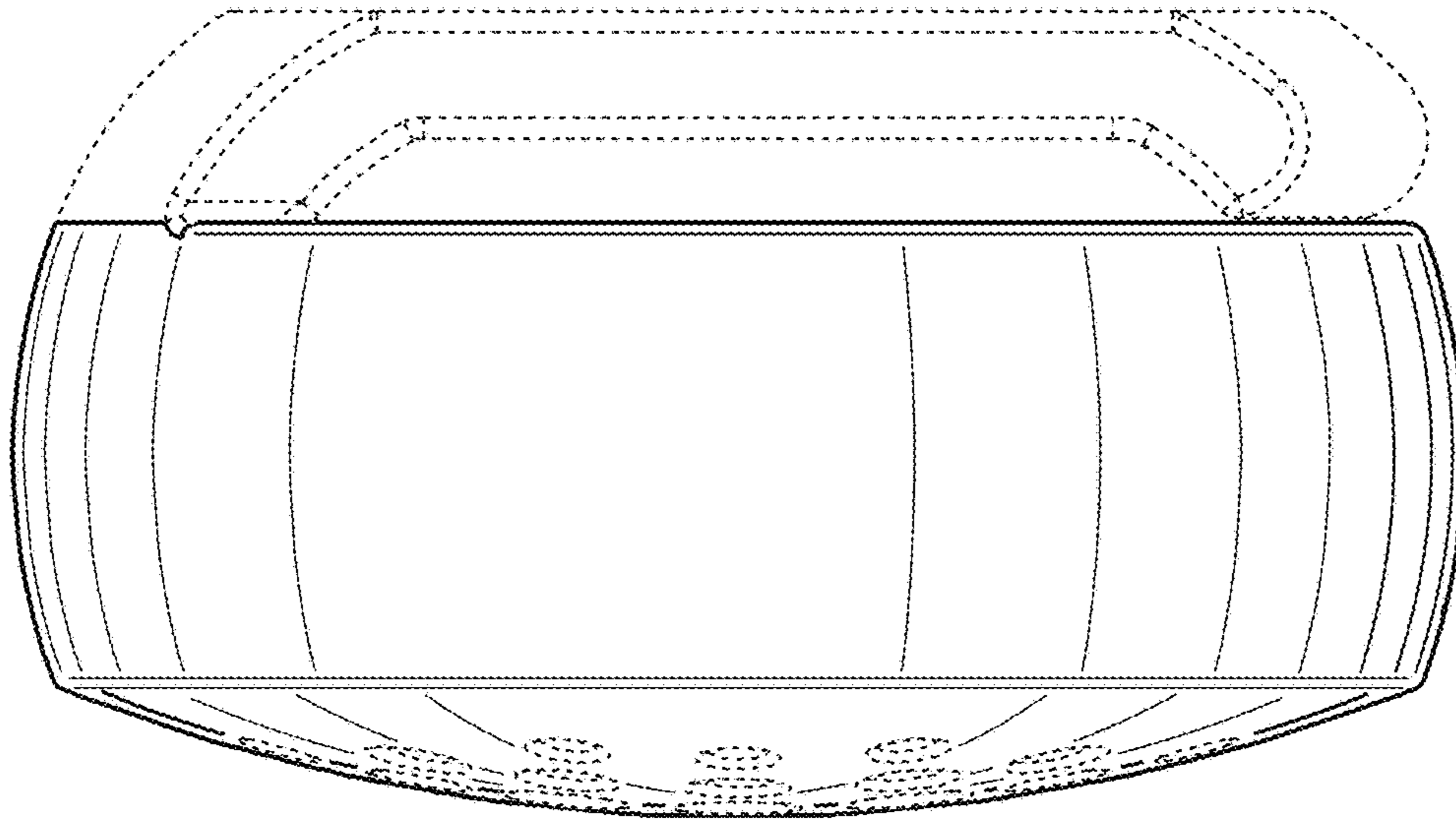


FIG. 5

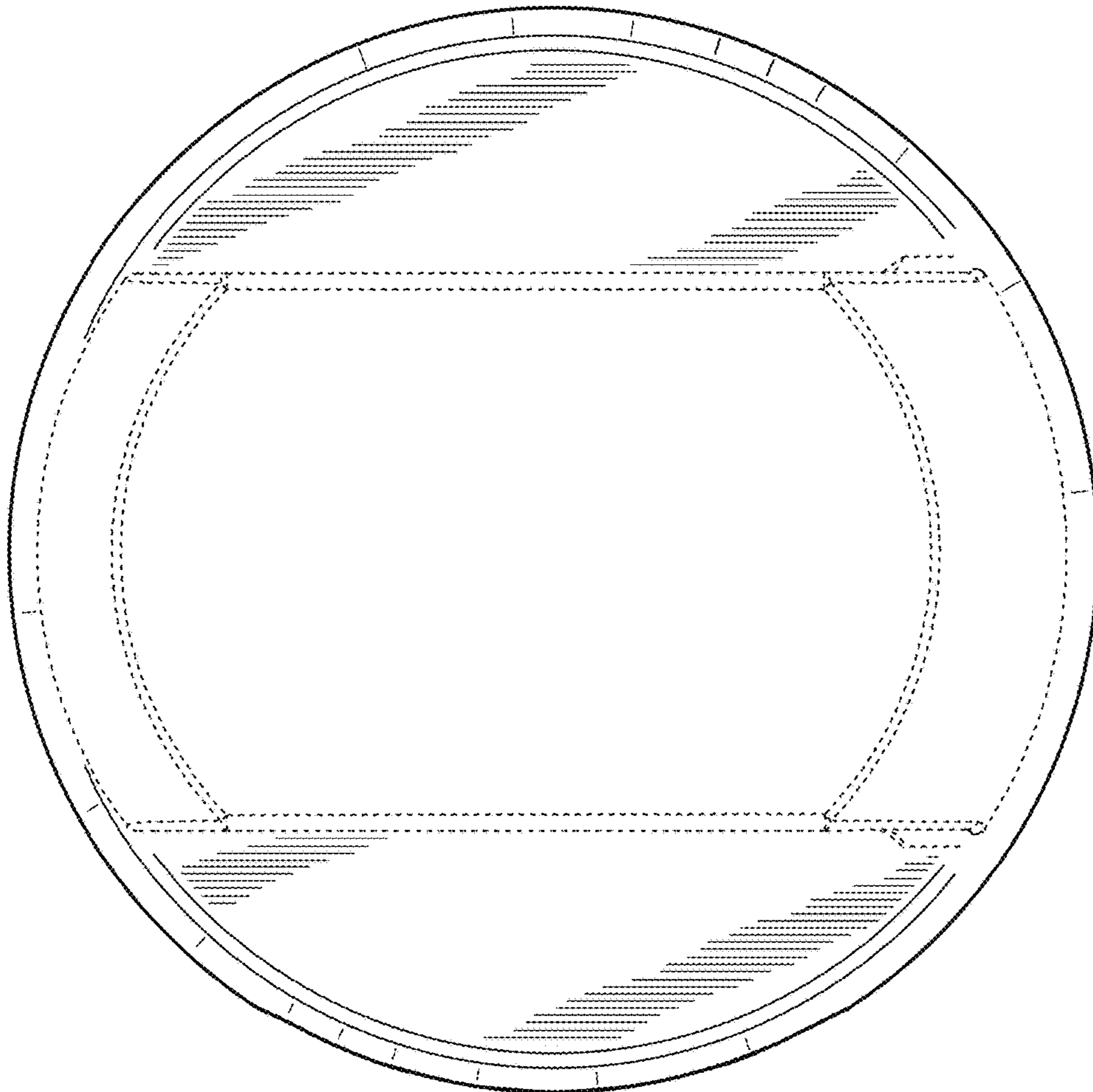


FIG. 4

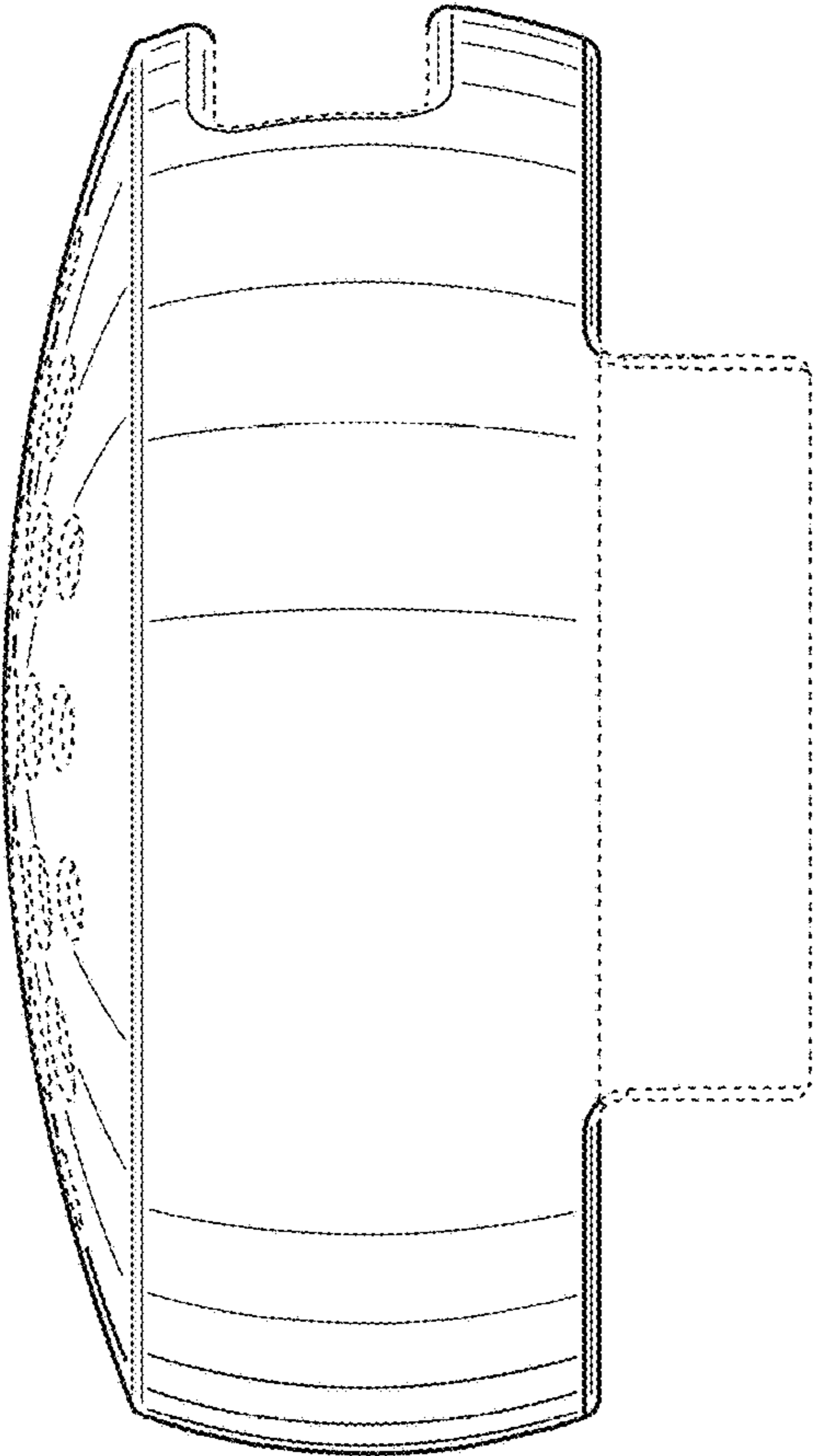


FIG. 6

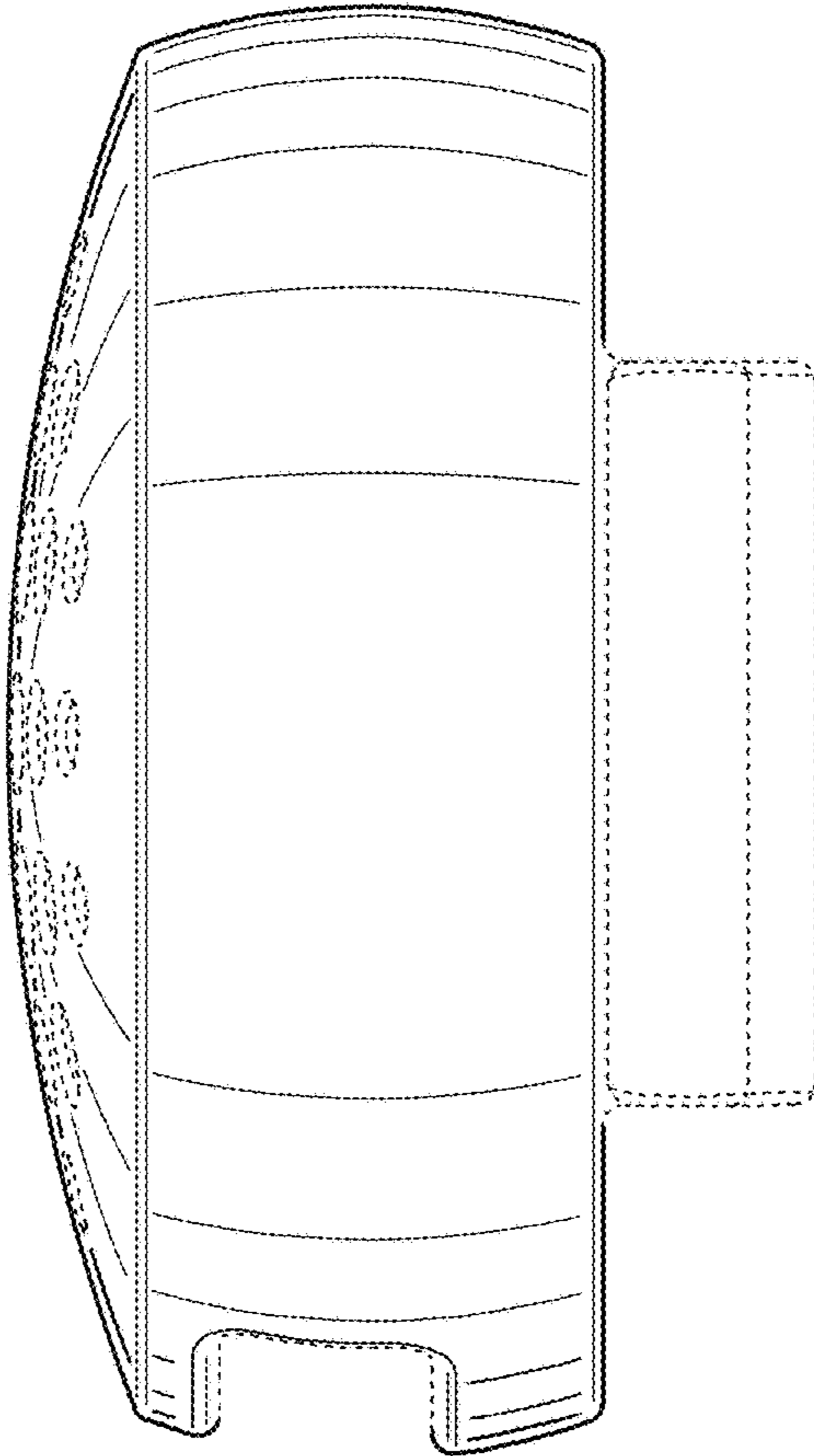


FIG. 7