



US00D813343S

(12) **United States Design Patent**
Rodgers et al.

(10) **Patent No.:** **US D813,343 S**

(45) **Date of Patent:** **** *Mar. 20, 2018**

(54) **MOUSE BAIT DEVICE**

(71) Applicant: **Reckitt Benckiser (Brands) Limited**,
Slough (GB)

(72) Inventors: **Brendyn Murray Rodgers**, Melbourne
(AU); **Jerry Chiang**, Melbourne (AU)

(73) Assignee: **RECKITT BENCKISER (BRANDS)**
LIMITED, slough (GB)

(*) Notice: This patent is subject to a terminal dis-
claimer.

(**) Term: **15 Years**

(21) Appl. No.: **29/591,614**

(22) Filed: **Jan. 21, 2017**

(30) **Foreign Application Priority Data**

Aug. 19, 2016 (EM) 003346964-0002

(51) **LOC (11) Cl.** **22-06**

(52) **U.S. Cl.**
USPC **D22/119**

(58) **Field of Classification Search**
USPC D22/119-125; 43/58, 60-61, 65-66, 70,
43/121, 124, 131, 132.1

CPC A01M 25/004

See application file for complete search history.

(56) **References Cited**

U.S. PATENT DOCUMENTS

D306,637 S *	3/1990	Henderson	D22/119
D385,611 S *	10/1997	Prince	D22/119
D621,900 S *	8/2010	Cink	D22/119
D623,255 S *	9/2010	Watson	D22/119
7,980,023 B2 *	7/2011	Nelson	A01M 25/004 43/114
D690,789 S *	10/2013	Wauson	D22/119

* cited by examiner

Primary Examiner — Catherine R Oliver-Garcia

(74) *Attorney, Agent, or Firm* — Troutman Sanders LLP;
Ryan Schneider; Chris Davis

(57) **CLAIM**

The ornamental design for a mouse bait device, as shown
and described.

DESCRIPTION

FIG. 1 is a perspective view of our new design for a mouse
bait device.

FIG. 2 is a front elevation view thereof;

FIG. 3 is a left side elevation thereof;

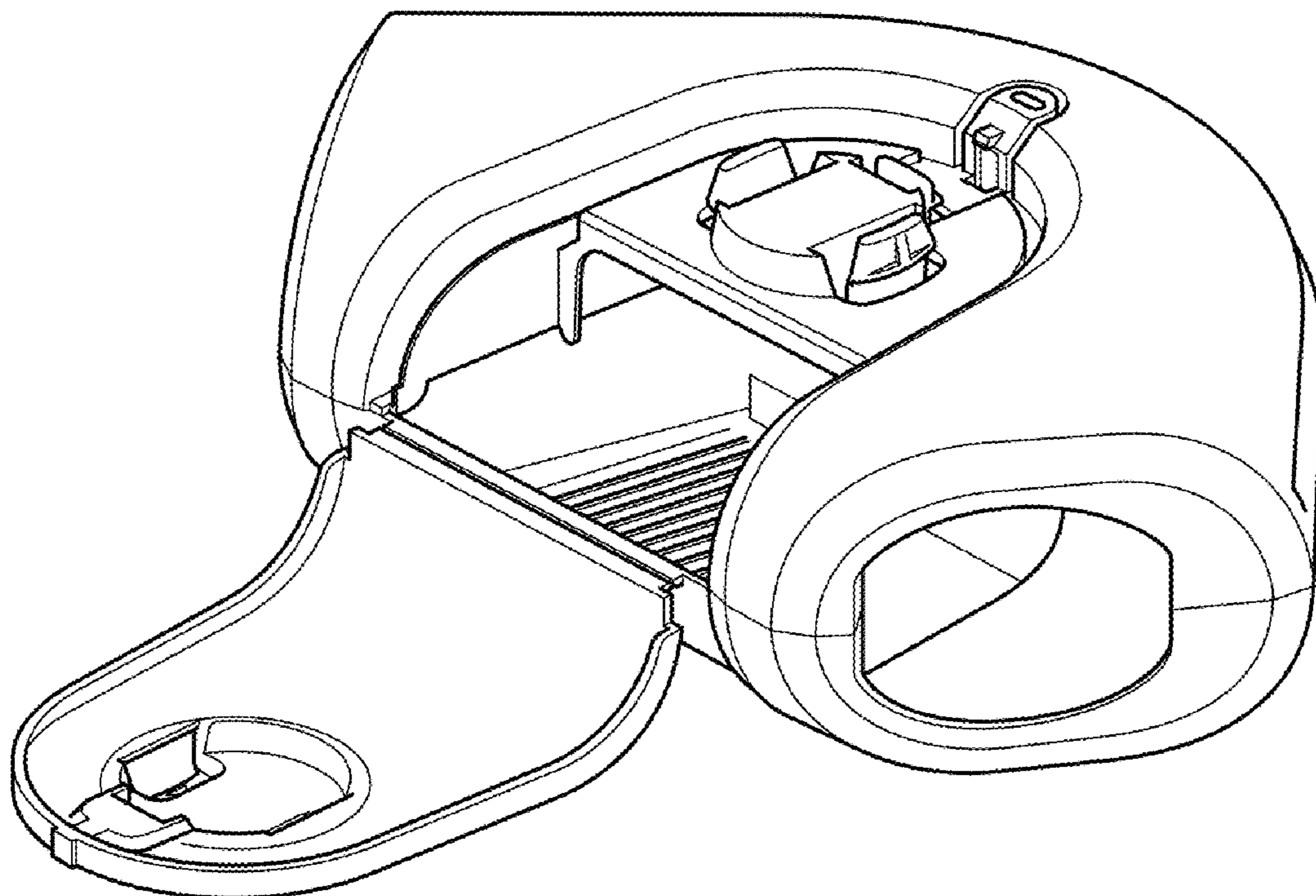
FIG. 4 is a rear elevation view thereof;

FIG. 5 is a right side elevation thereof;

FIG. 6 is a top plan view thereof; and,

FIG. 7 is a bottom plan view thereof.

1 Claim, 7 Drawing Sheets



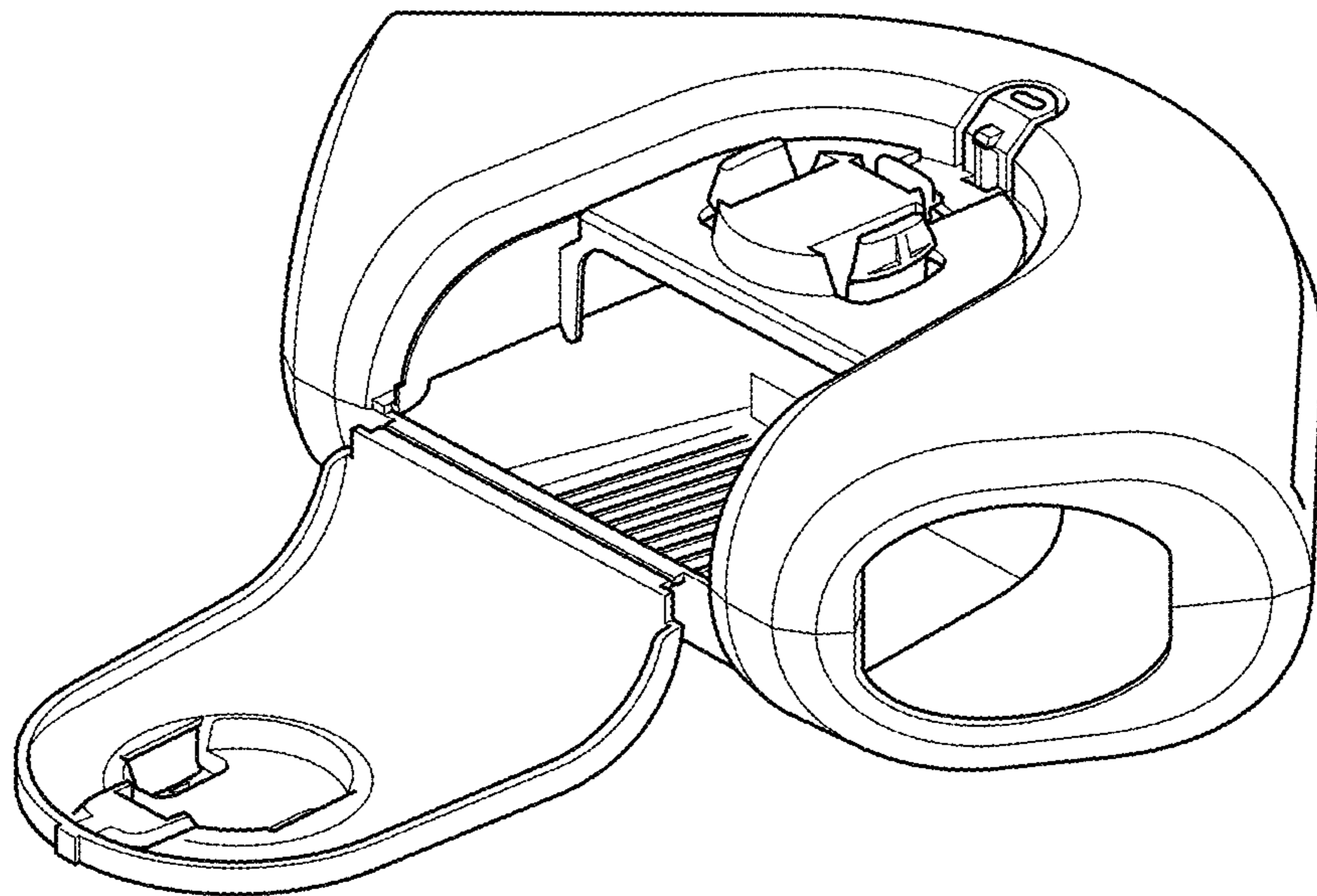


Fig. 1

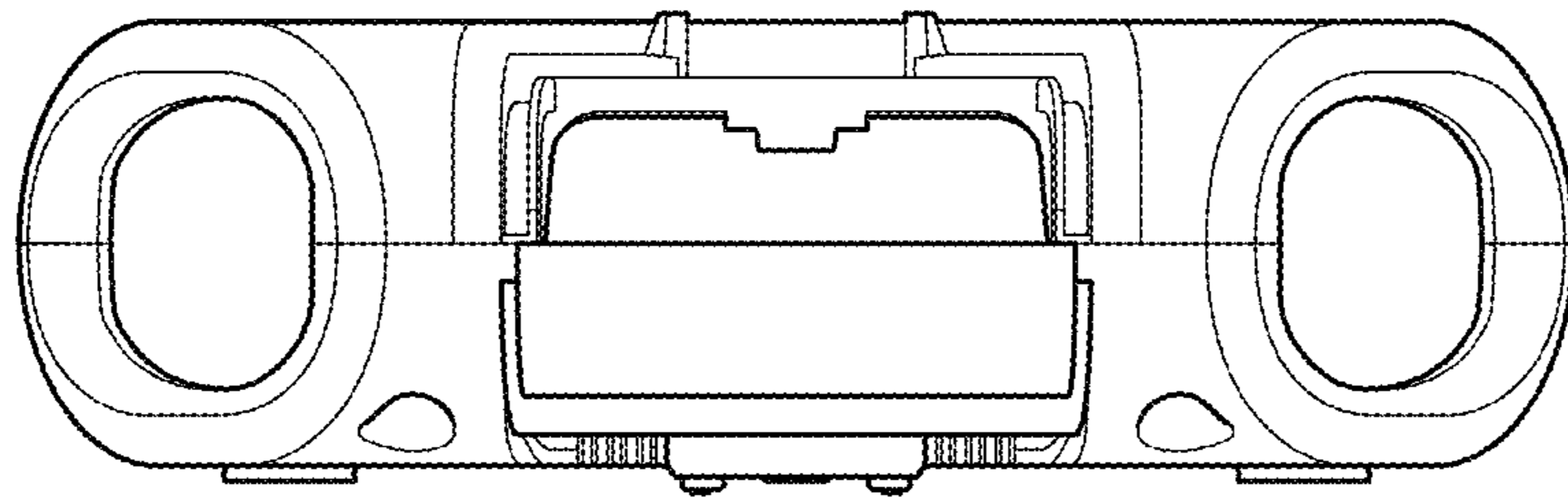


Fig. 2

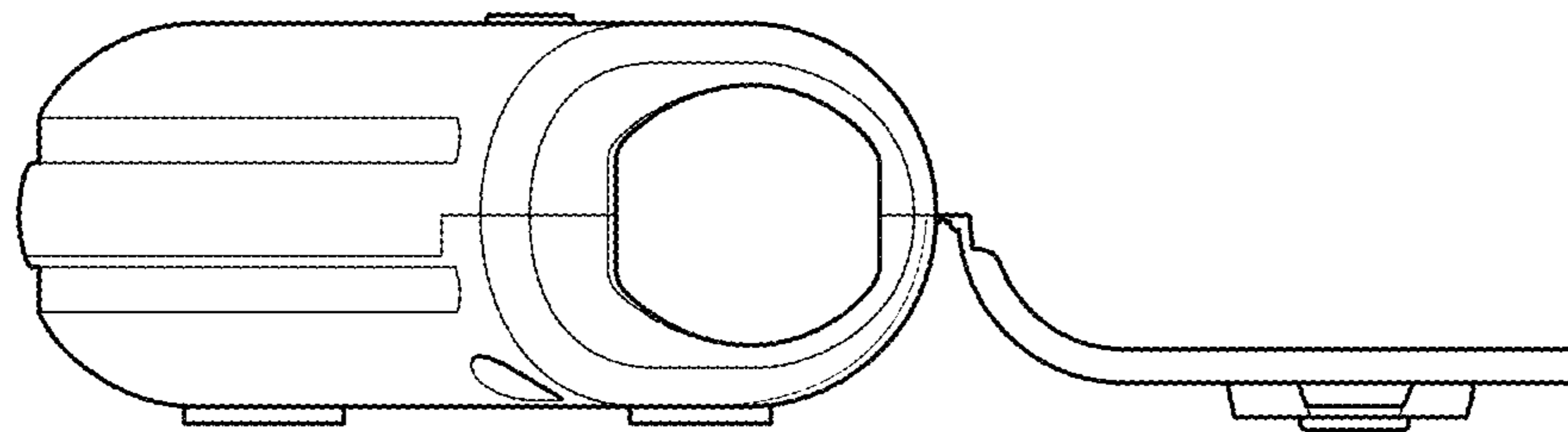


Fig. 3

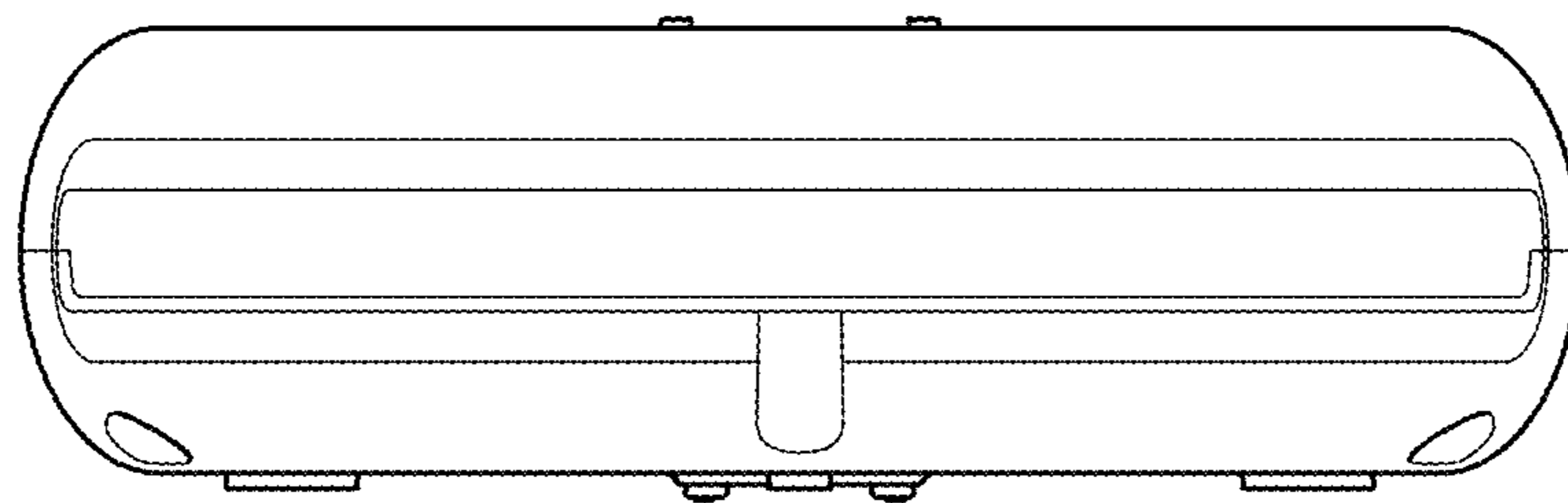


Fig. 4

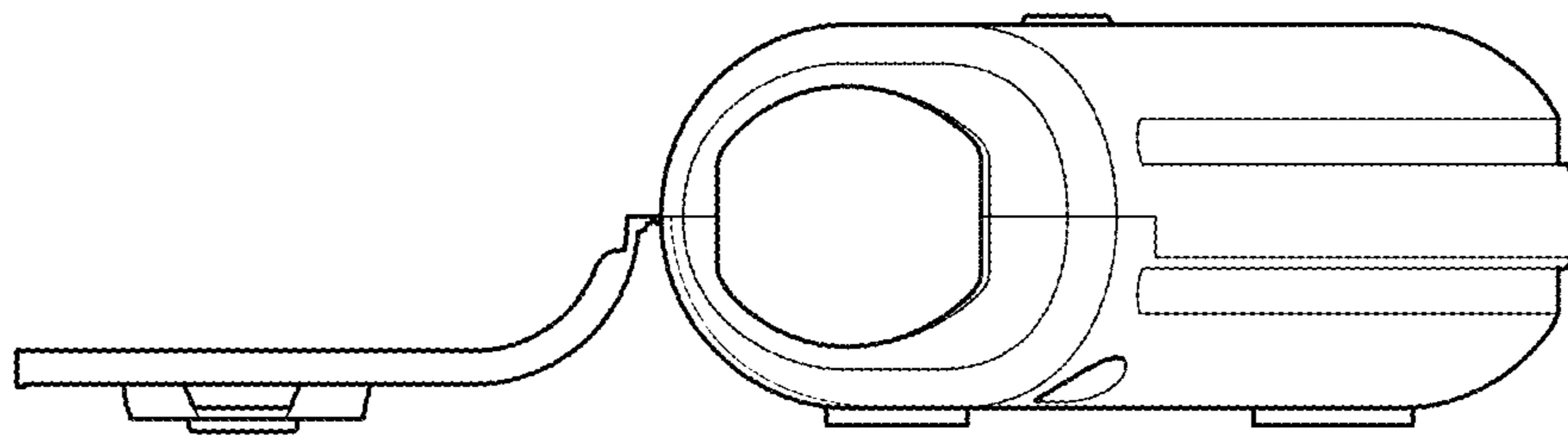


Fig. 5

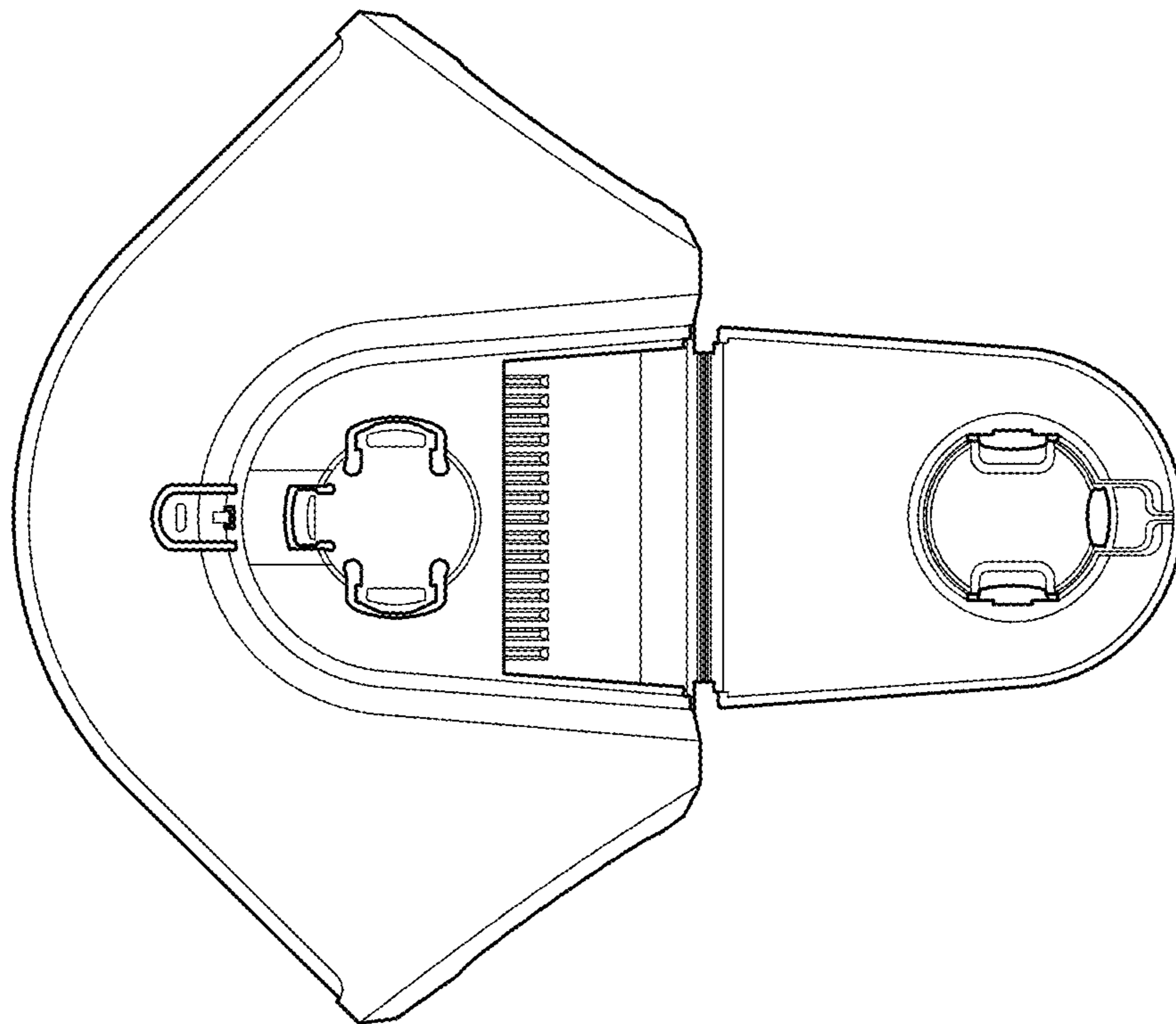


Fig. 6

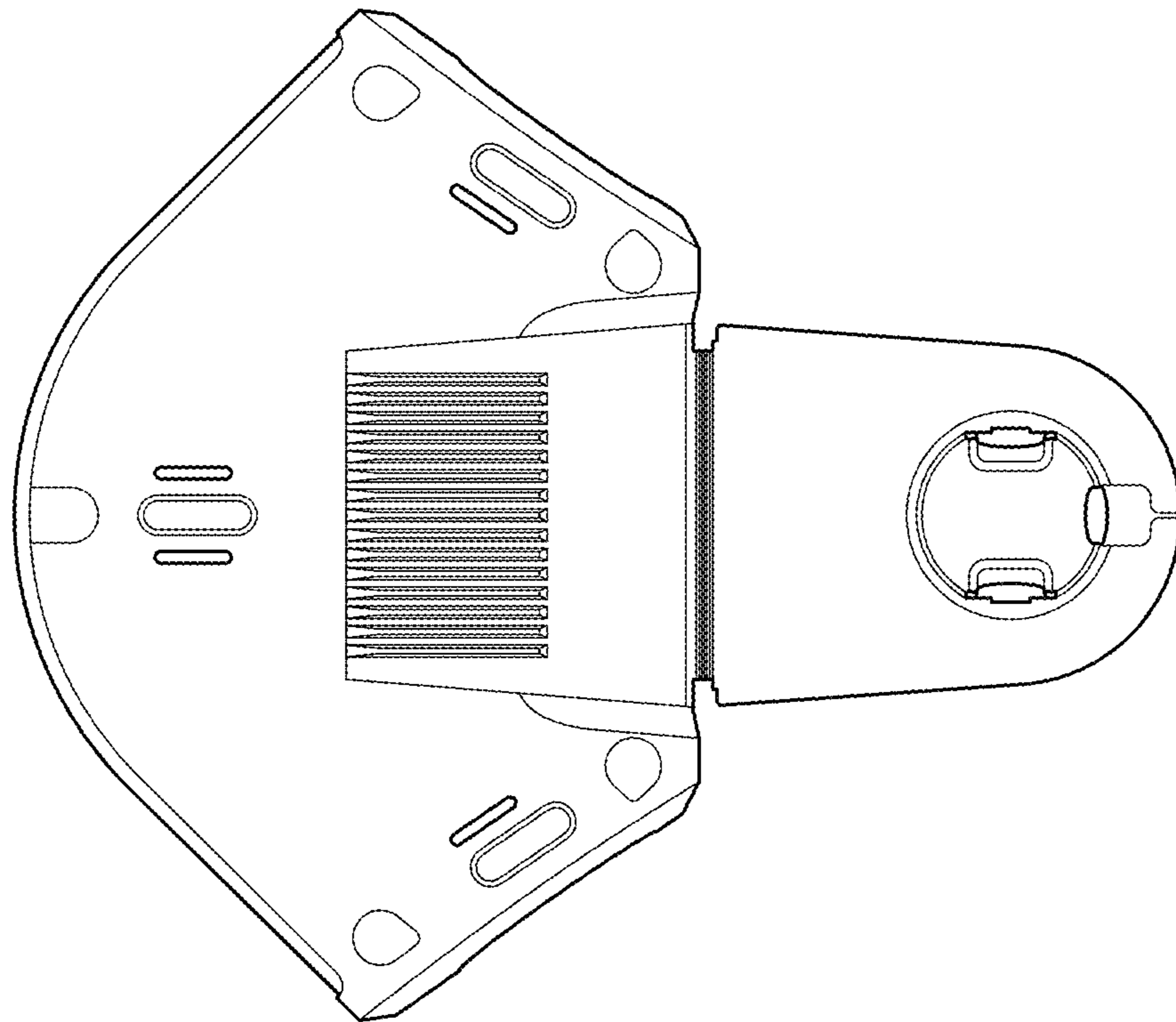


Fig. 7