



US00D813342S

(12) **United States Design Patent**
Vagnino, Jr.

(10) **Patent No.:** **US D813,342 S**

(45) **Date of Patent:** **** Mar. 20, 2018**

(54) **TACTICAL KNIFE**

D716,411 S * 10/2014 Ameis D22/118
D755,343 S * 5/2016 Freeman D22/118

(71) Applicant: **Michael Valentino Vagnino, Jr.**,
Visalia, CA (US)

* cited by examiner

(72) Inventor: **Michael Valentino Vagnino, Jr.**,
Visalia, CA (US)

Primary Examiner — Catherine R Oliver-Garcia
(74) *Attorney, Agent, or Firm* — Benjamin D. Rotman;
Rosenbaum IP, P.C.

(**) Term: **15 Years**

(21) Appl. No.: **29/591,018**

(57) **CLAIM**

(22) Filed: **Jan. 16, 2017**

The ornamental design for a tactical knife, as shown and described.

(51) **LOC (11) Cl.** **22-02**

(52) **U.S. Cl.**
USPC **D22/118**

(58) **Field of Classification Search**
USPC D22/118; D8/95-99; 30/11-154,
30/160-161, 340, 355
CPC B26B 1/10; B26B 1/042; B26B 1/046; B26B
1/048; B25G 1/102
See application file for complete search history.

DESCRIPTION

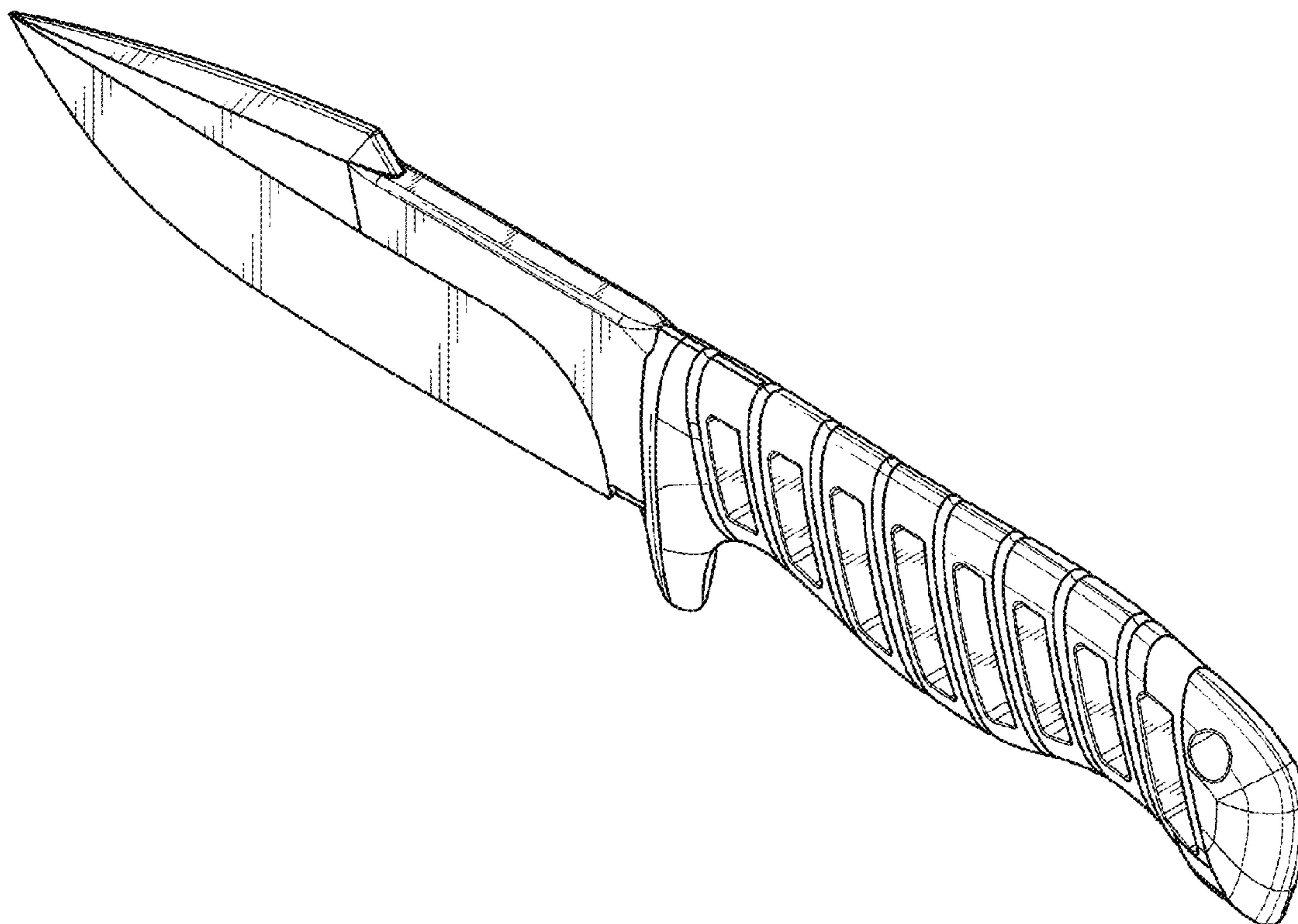
FIG. 1 is a top perspective view of a tactical knife in accordance with the invention;
FIG. 2 is a left side view of FIG. 1;
FIG. 3 is a right side view of FIG. 1;
FIG. 4 is a front view of FIG. 1;
FIG. 5 is a rear view of FIG. 1;
FIG. 6 is a top view of FIGS. 1; and,
FIG. 7 is a bottom view of FIG. 1.

(56) **References Cited**

U.S. PATENT DOCUMENTS

D187,588 S * 4/1960 Daemmer D22/118
5,528,834 A * 6/1996 Seber B25G 1/102
30/340

1 Claim, 4 Drawing Sheets



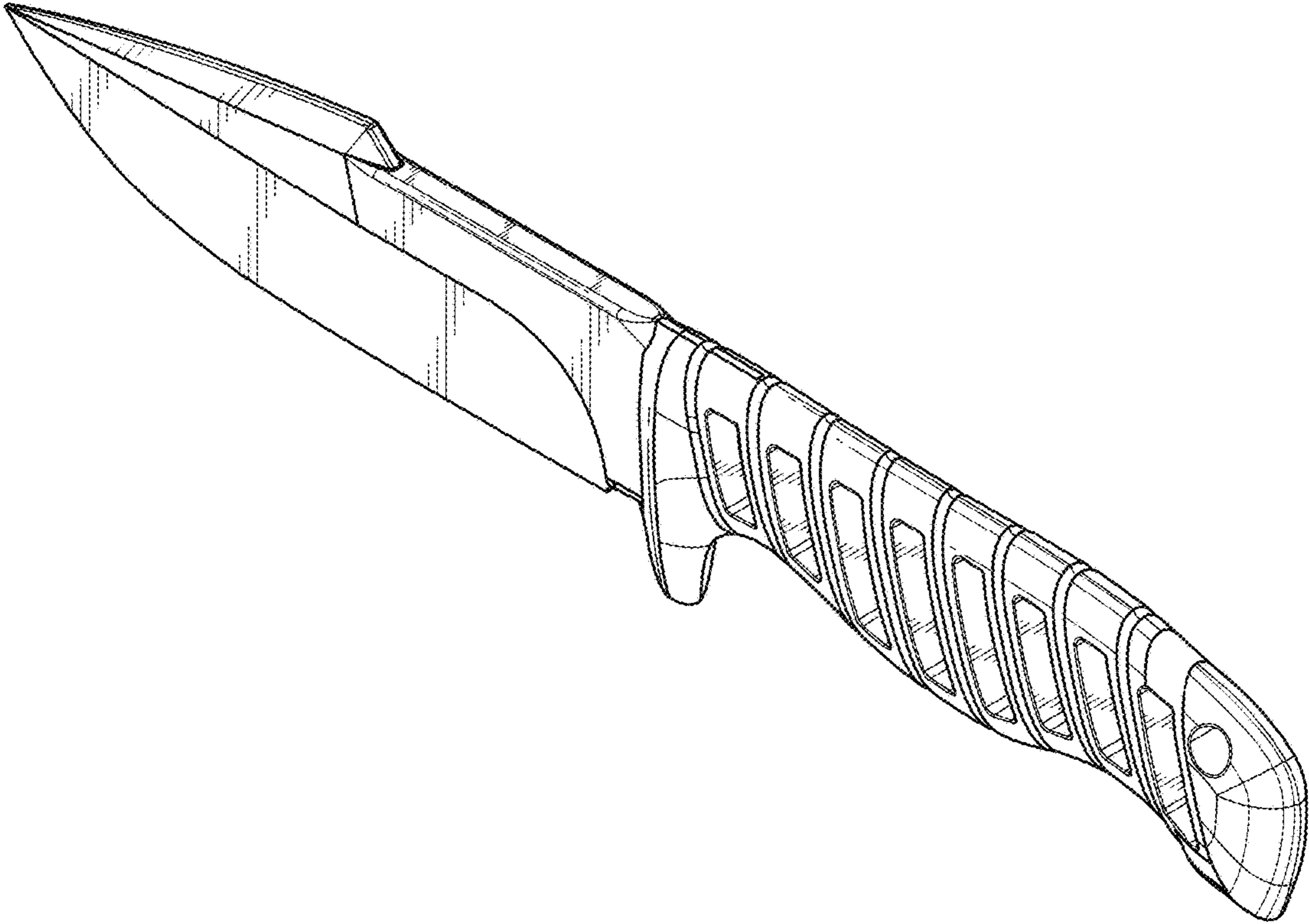


FIG. 1

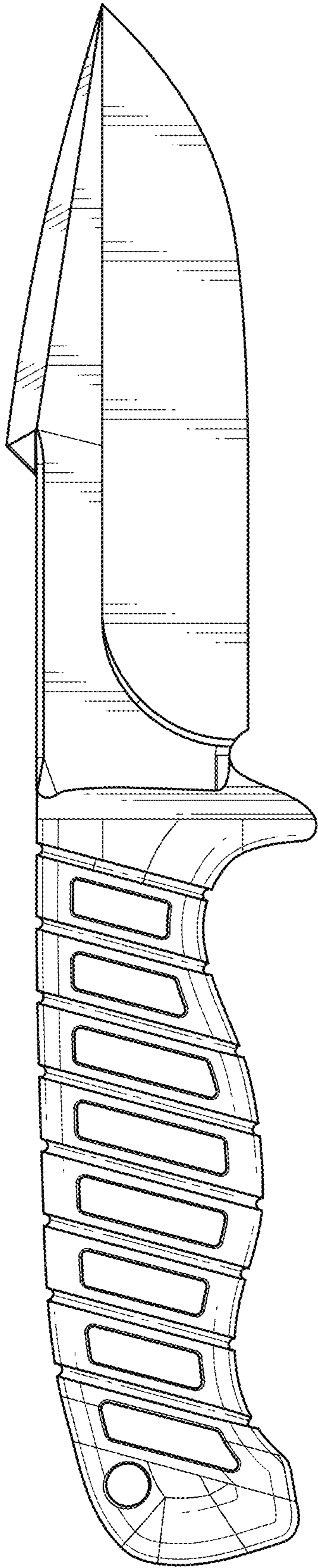


FIG. 2

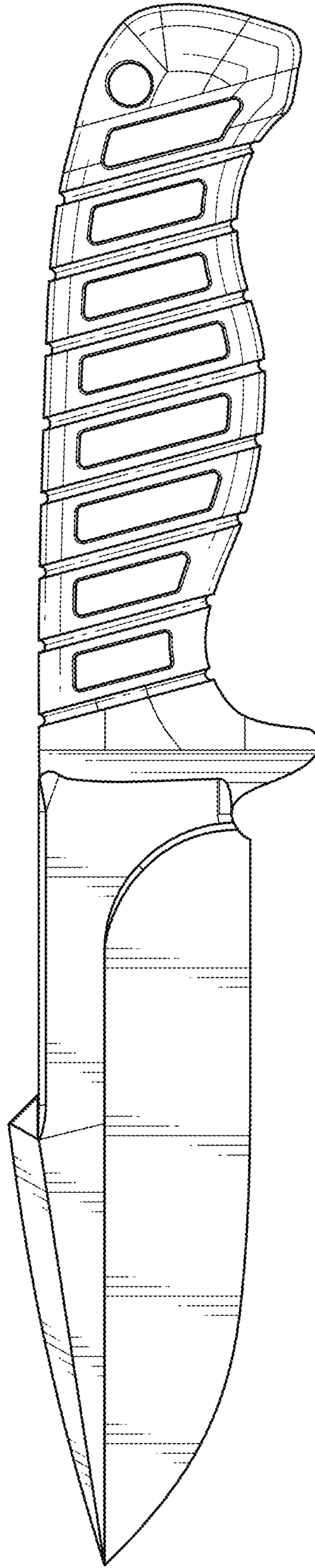


FIG. 3

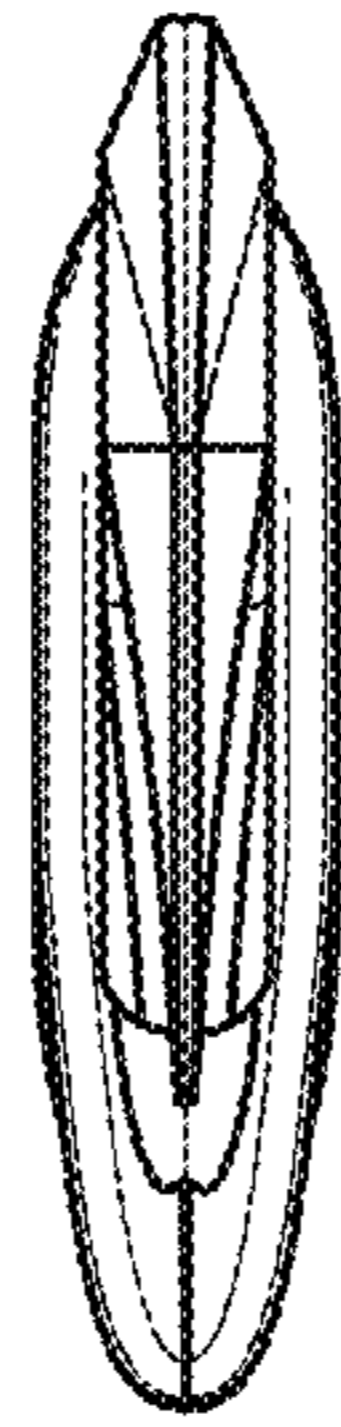


FIG. 4

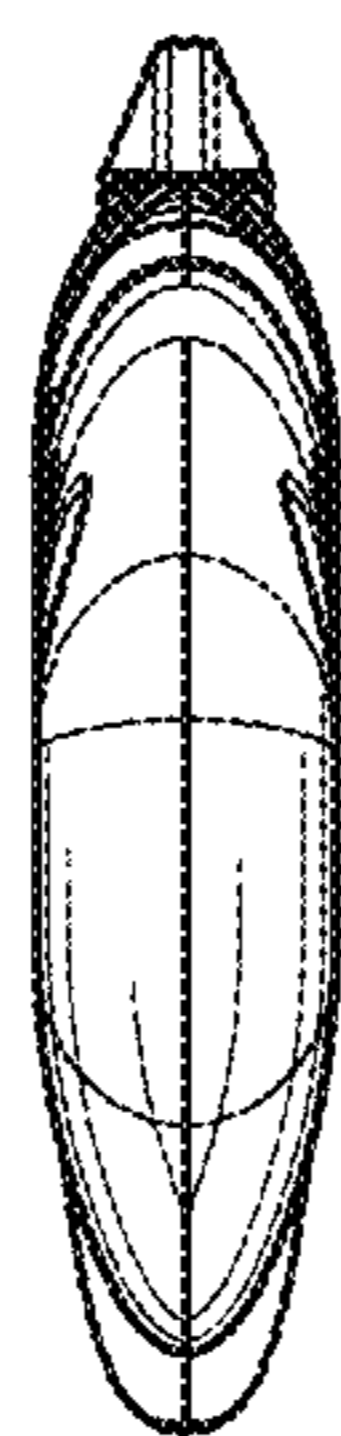


FIG. 5

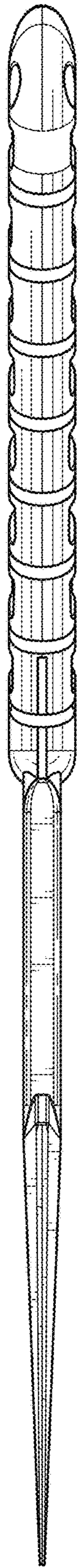


FIG. 6

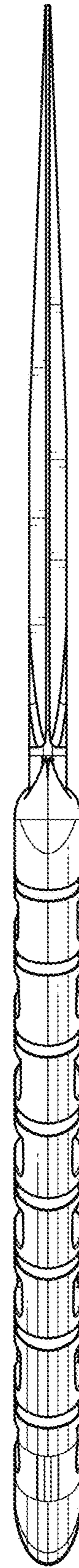


FIG. 7