



US00D813341S

(12) **United States Design Patent** (10) **Patent No.:** **US D813,341 S**
Jaramus et al. (45) **Date of Patent:** **** Mar. 20, 2018**

- (54) **KNIFE**
- (71) Applicant: **Fiskars Brands, Inc.**, Middleton, WI (US)
- (72) Inventors: **Seth P. Jaramus**, Portland, OR (US); **Amy Nicole Ell**, Oregon City, OR (US); **Lael Abraham Shimanoff**, Portland, OR (US)
- (73) Assignee: **Fiskars Brands, Inc.**, Middleton, WI (US)
- (**) Term: **15 Years**
- (21) Appl. No.: **29/583,244**
- (22) Filed: **Nov. 3, 2016**
- (51) **LOC (11) Cl.** **22-02**
- (52) **U.S. Cl.**
USPC **D22/118**
- (58) **Field of Classification Search**
USPC D22/118, 149; D7/649, 652; 30/165, 30/295, 340; D8/95-99, 107, DIG. 8
CPC F41B 13/08; Y10T 16/476
See application file for complete search history.

- (56) **References Cited**
U.S. PATENT DOCUMENTS
D138,365 S * 7/1944 Baker 30/295
D295,011 S * 4/1988 Herron D22/118
D305,257 S * 12/1989 Bendickson D22/118
D333,239 S * 2/1993 Pogue D22/118
D366,408 S 1/1996 Sessions et al.
D383,370 S 9/1997 Chen et al.
D410,189 S 5/1999 Wehrs et al.
D413,503 S 9/1999 Dugdale
D494,437 S 8/2004 Scarla
D519,798 S 5/2006 Dallas
D553,468 S 10/2007 Freeman
D581,241 S 11/2008 Freeman

- D582,243 S 12/2008 Freeman et al.
- D582,747 S 12/2008 Freeman et al.
- D610,646 S 2/2010 Harsey, Jr. et al.
- D614,933 S 5/2010 Freeman et al.
- D636,051 S 4/2011 Freeman et al.
- D636,052 S 4/2011 Freeman et al.
- D636,053 S 4/2011 Freeman et al.
- D638,904 S * 5/2011 Freeman D22/118
- D639,632 S 6/2011 Freeman et al.
- D661,367 S 6/2012 Seeds et al.
- D672,841 S * 12/2012 Pelton D22/118
- D696,567 S 12/2013 Leh et al.
- D696,919 S 1/2014 Leh et al.
- D696,920 S 1/2014 Cagampang et al.
- D699,315 S 2/2014 Seeds et al.

(Continued)

Primary Examiner — Catherine R Oliver-Garcia
(74) *Attorney, Agent, or Firm* — Foley & Lardner LLP

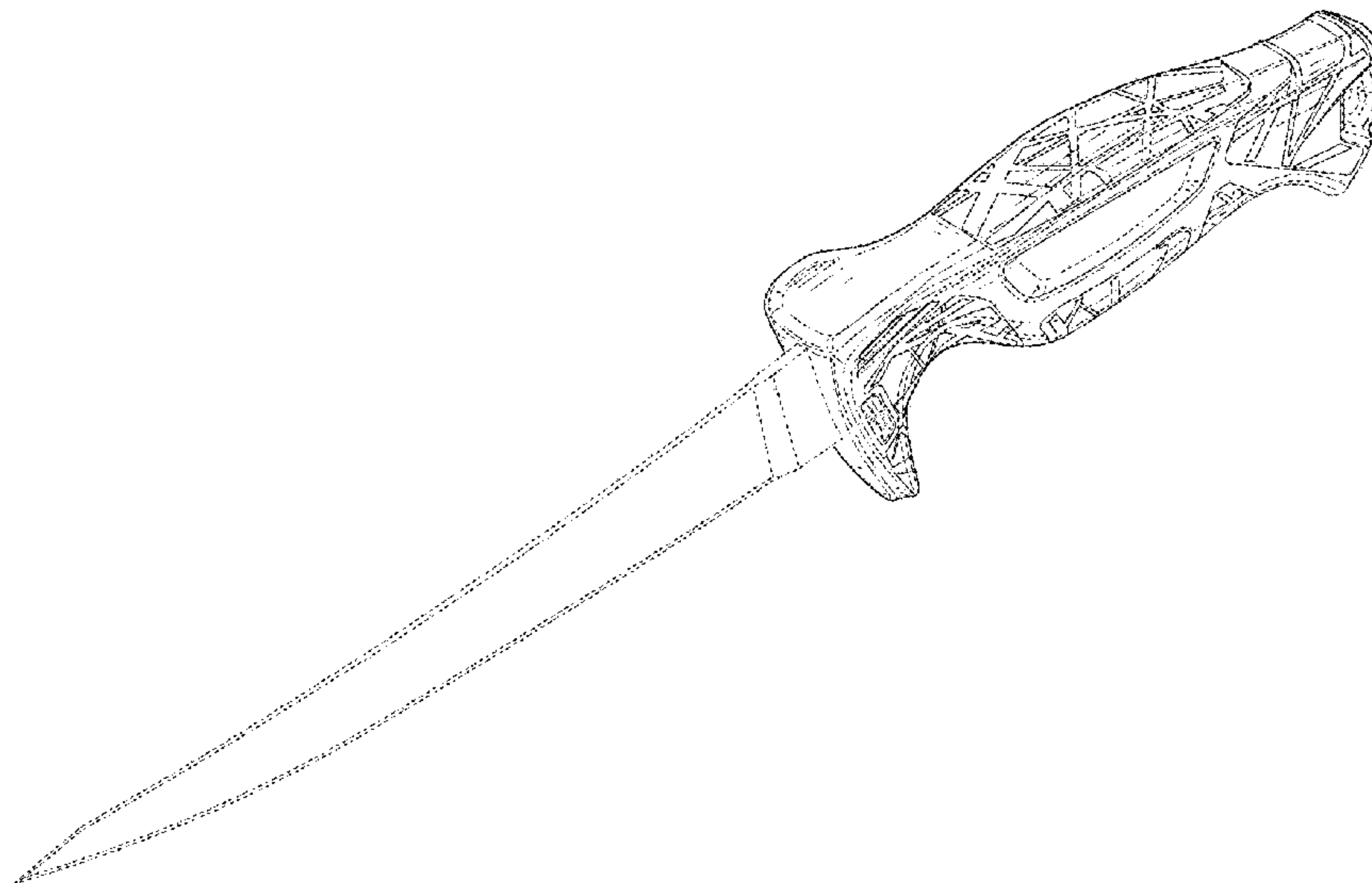
(57) **CLAIM**

We claim the ornamental design for a knife, as shown and described.

DESCRIPTION

FIG. 1 is a top, front, right perspective view of a knife showing the new design;
FIG. 2 is a bottom, rear, right perspective view thereof;
FIG. 3 is a right side elevation view thereof;
FIG. 4 is a left side elevation view thereof;
FIG. 5 is a top plan view thereof;
FIG. 6 is a bottom plan view thereof;
FIG. 7 is a front elevation view thereof; and,
FIG. 8 is a rear elevation view thereof.
Any portion of the article depicted in broken lines forms no part of the claimed design. Broken lines formed by equal length dashes show unclaimed portions of the design. Broken lines formed by unequal length dashes (i.e., dash-dot) define bounds of the claimed design. Broken away symbols having a jagged element show that no particular length of the portion is claimed.

1 Claim, 5 Drawing Sheets



(56)

References Cited

U.S. PATENT DOCUMENTS

D700,675 S	3/2014	Seeds et al.	
D703,021 S	4/2014	Thomas et al.	
D709,982 S	7/2014	Freeman et al.	
D709,983 S	7/2014	Cagampang	
D716,127 S	10/2014	Leh et al.	
D737,110 S	8/2015	Schuft	
D741,680 S	10/2015	Hunter et al.	
D749,187 S *	2/2016	Pirrone	D22/118

* cited by examiner

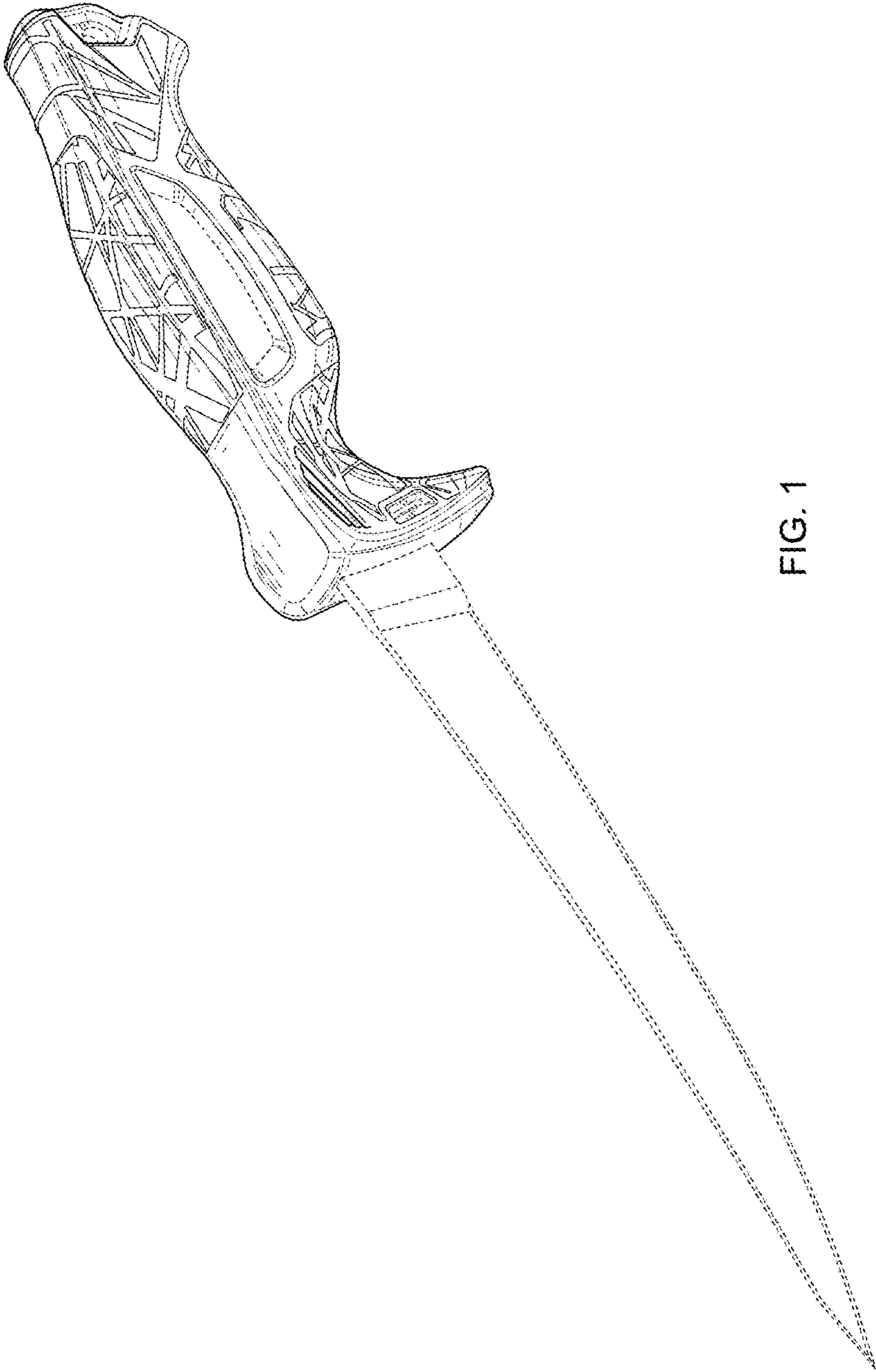


FIG. 1

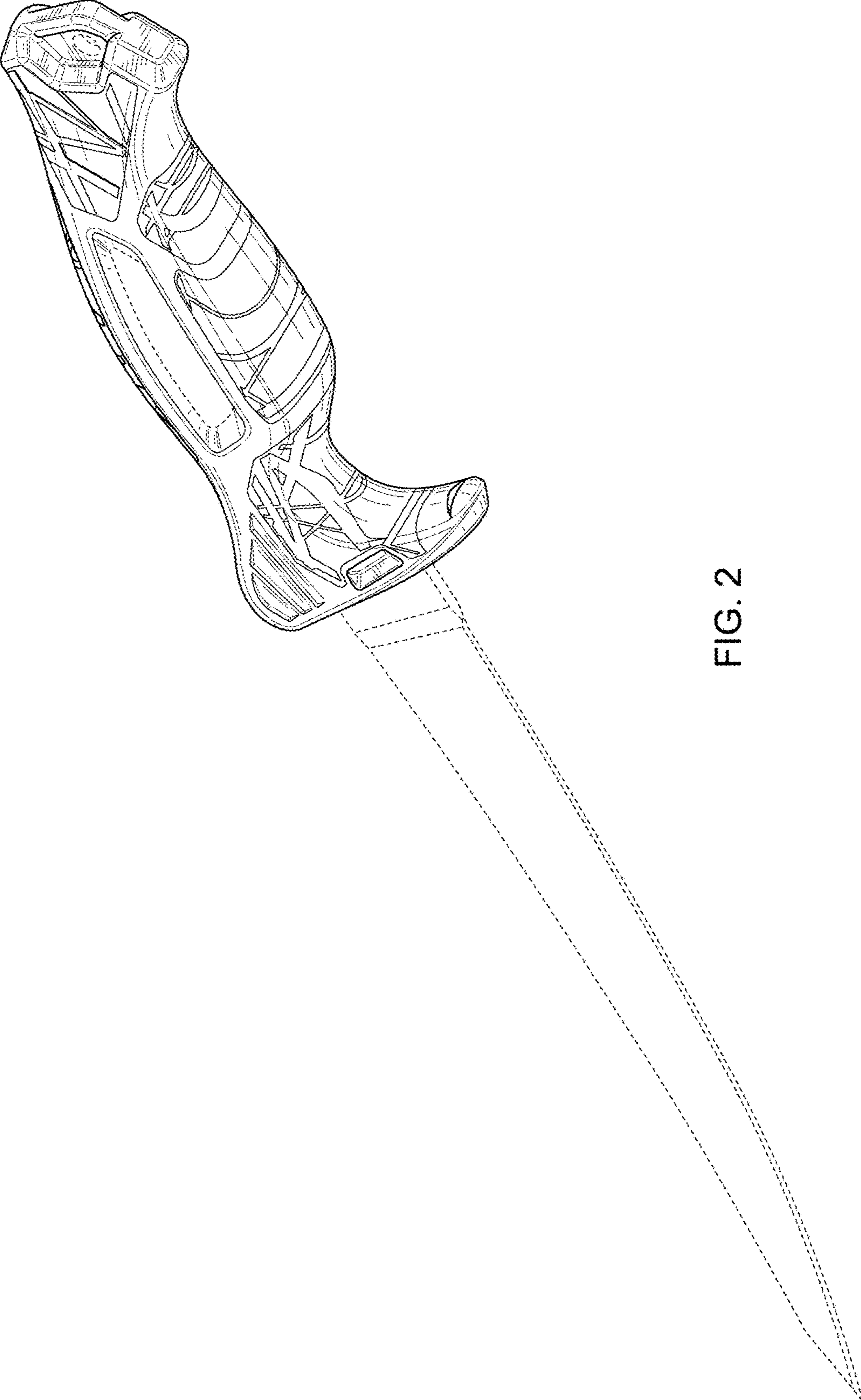


FIG. 2

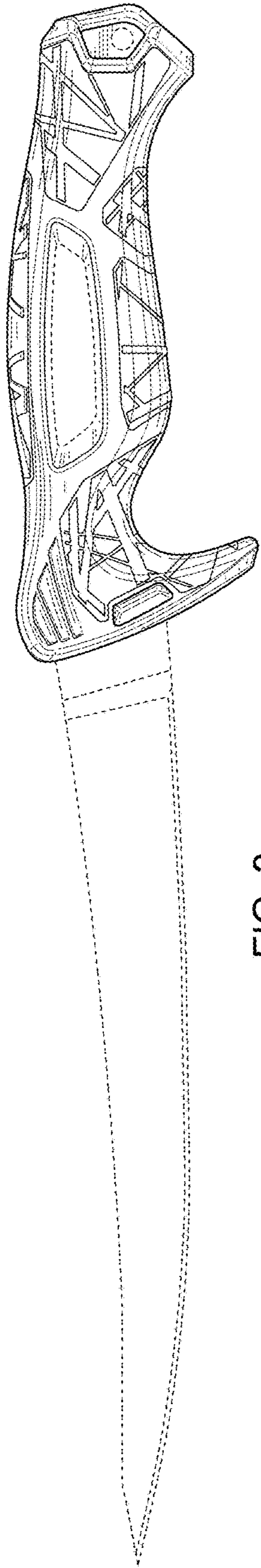


FIG. 3

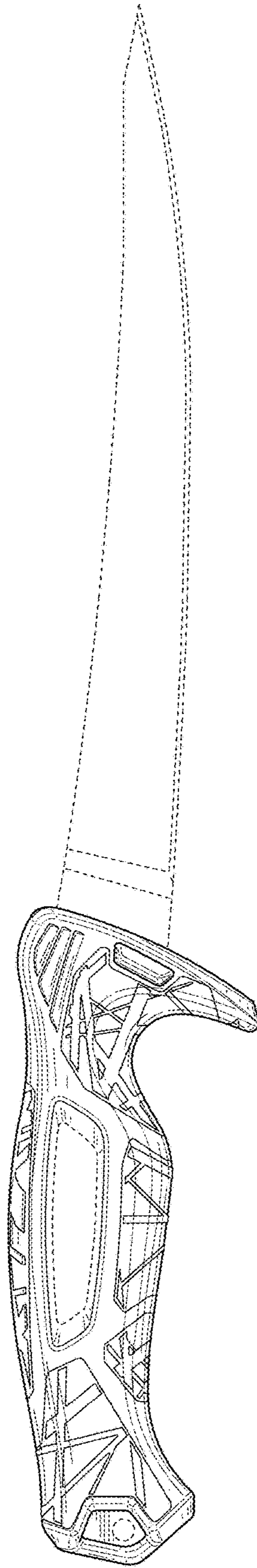


FIG. 4

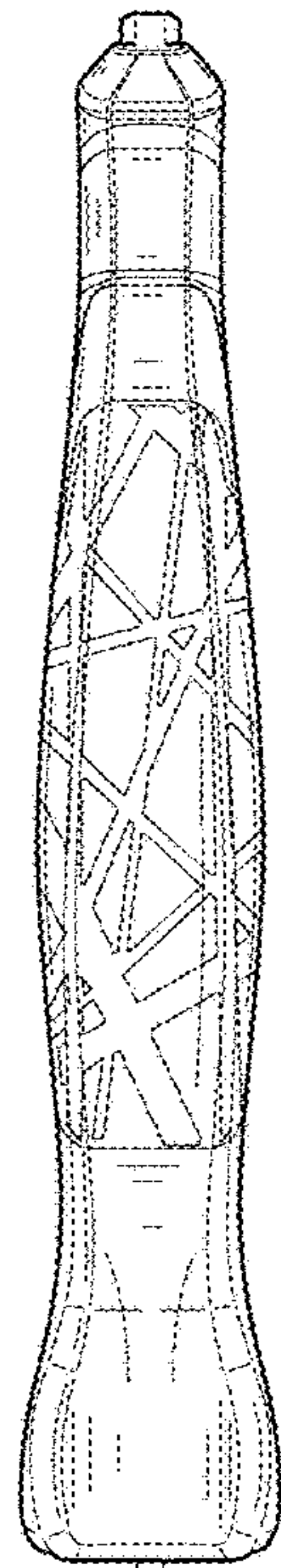


FIG. 5

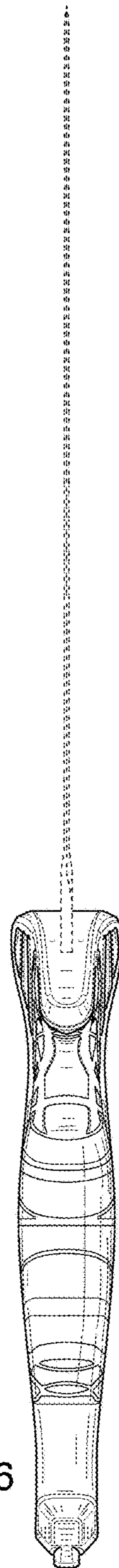


FIG. 6

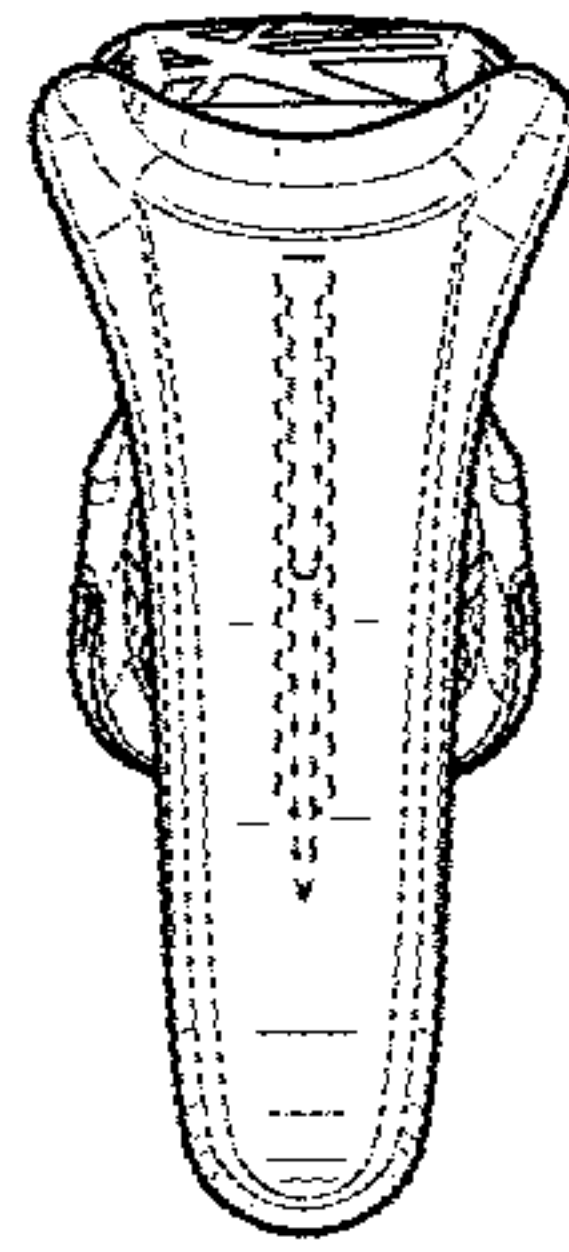


FIG. 7

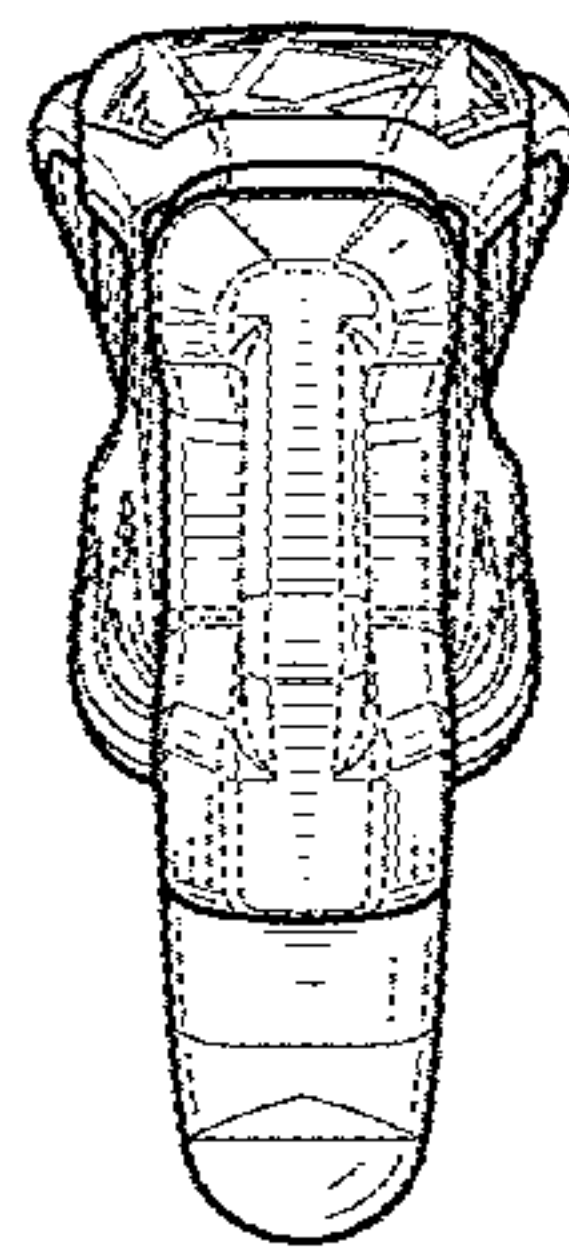


FIG. 8