



US00D813340S

(12) **United States Design Patent**
Galli

(10) **Patent No.:** **US D813,340 S**
(45) **Date of Patent:** **** Mar. 20, 2018**

- (54) **WEAPON MOUNTED LIGHT**
- (71) Applicant: **Emissive Energy Corp.**, North Kingstown, RI (US)
- (72) Inventor: **Robert D. Galli**, North Kingstown, RI (US)
- (73) Assignee: **EMISSIVE ENERGY CORP.**, North Kingstown, RI (US)
- (**) Term: **15 Years**
- (21) Appl. No.: **29/573,799**
- (22) Filed: **Aug. 10, 2016**
- (51) **LOC (11) Cl.** **22-01**
- (52) **U.S. Cl.**
USPC **D22/108**
- (58) **Field of Classification Search**
USPC D22/108-109; D26/24-27, 38, 40, 42, D26/46-47, 51, 60, 113, 118, 130-133, D26/136
CPC F41G 1/35; F41G 1/345
See application file for complete search history.

- D709,158 S * 7/2014 Wells D22/108
- 8,960,942 B2 * 2/2015 Galli F41G 11/004
315/210
- D800,362 S * 10/2017 Galli D26/60
- 9,810,411 B2 * 11/2017 Galli F21V 23/0414
- 9,841,258 B1 * 12/2017 Galli F41G 11/003

FOREIGN PATENT DOCUMENTS

WO 2012075395 A2 6/2012

* cited by examiner

Primary Examiner — Michael A. Pratt

(74) *Attorney, Agent, or Firm* — Barlow, Josephs & Holmes, Ltd.

(57) **CLAIM**

The ornamental design for a weapon mounted light, as shown and described.

DESCRIPTION

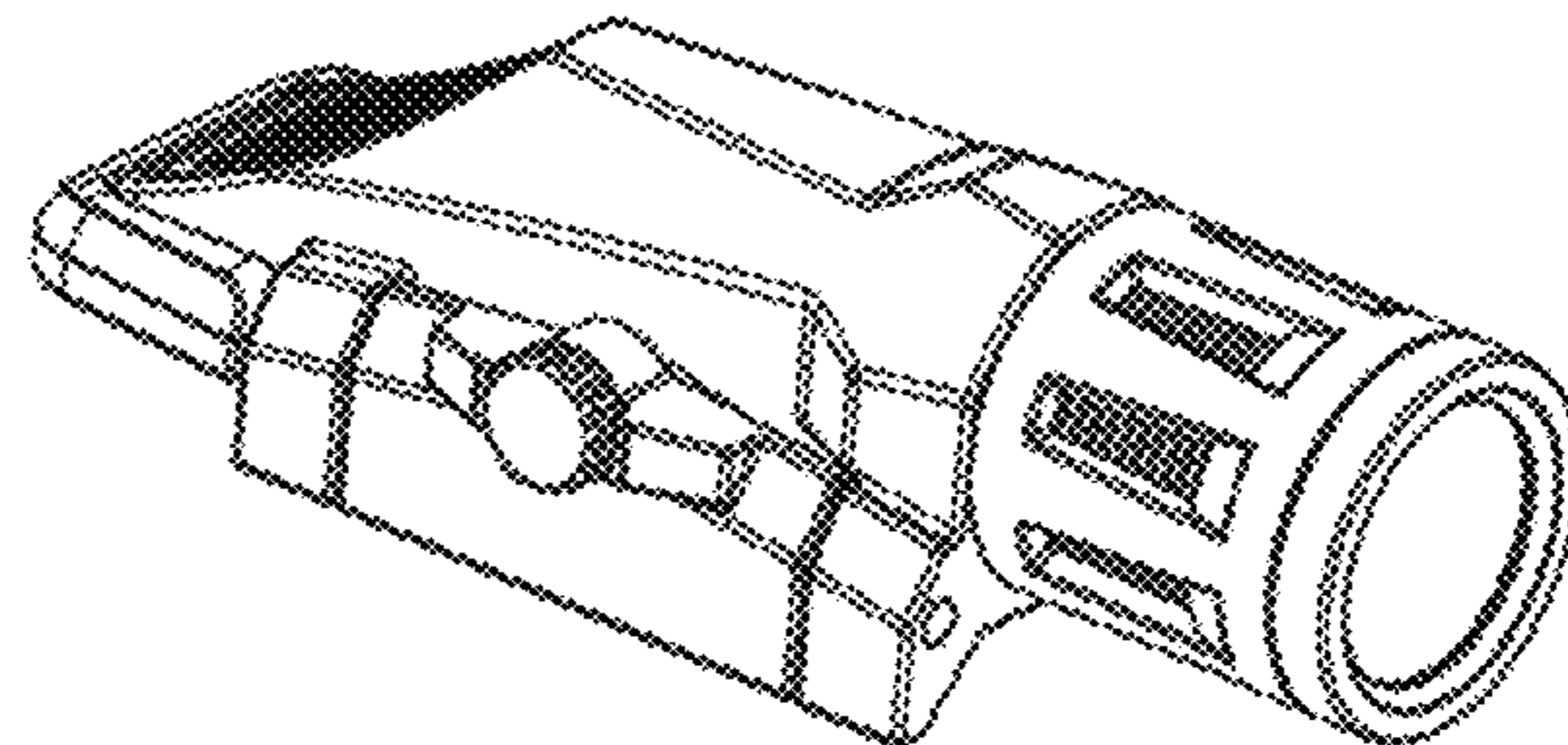
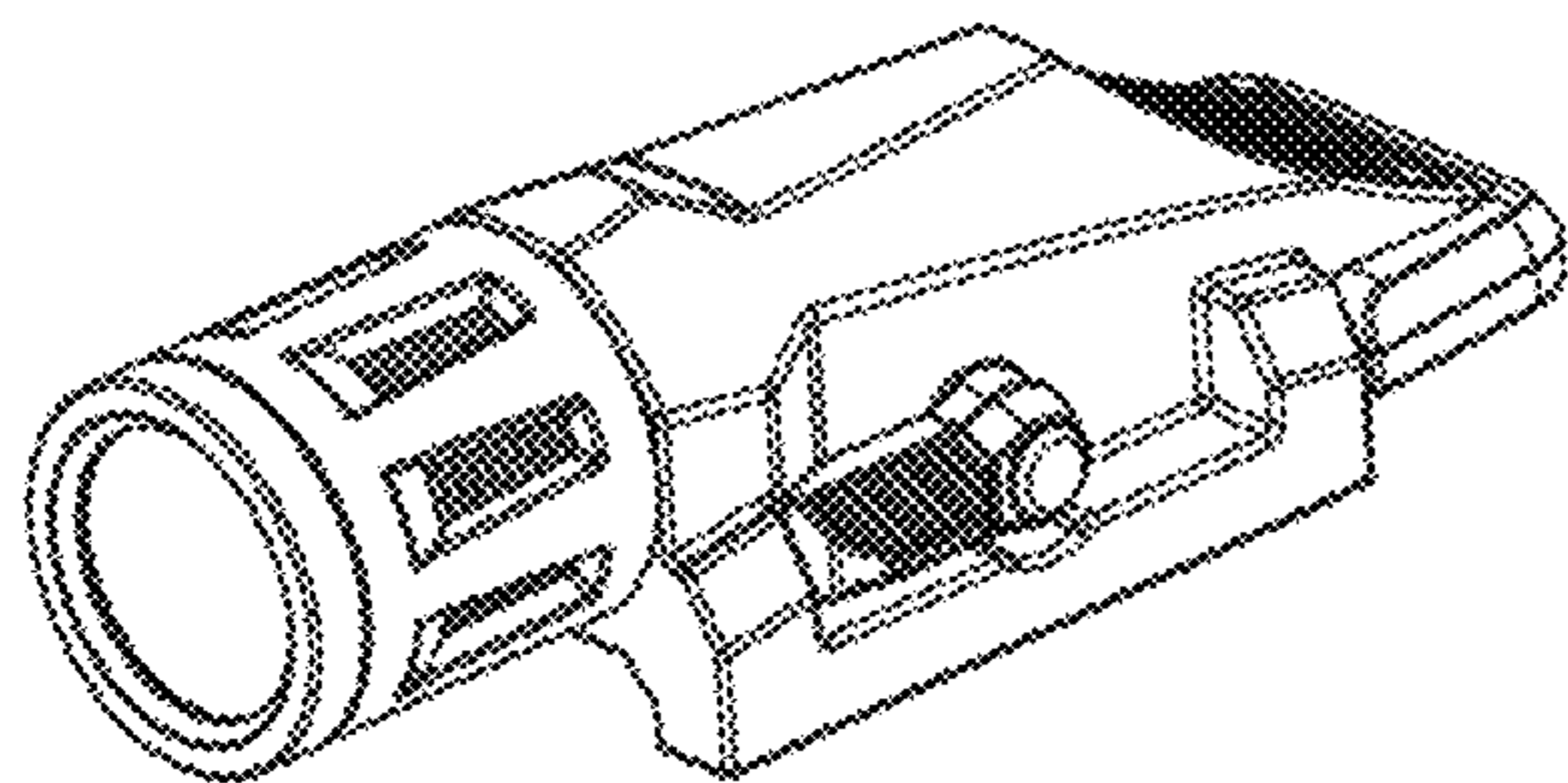
FIG. 1 is a first perspective view of the weapon mounted light in accordance with the present design; FIG. 2 is another perspective view thereof; FIG. 3 is a top view thereof; FIG. 4 is a left side view thereof; FIG. 5 is a right side view thereof; FIG. 6 is a front view thereof; and, FIG. 7 is a rear view thereof.

1 Claim, 3 Drawing Sheets

(56) **References Cited**

U.S. PATENT DOCUMENTS

- D567,894 S * 4/2008 Sterling D22/108
- D674,858 S * 1/2013 Galli D22/108



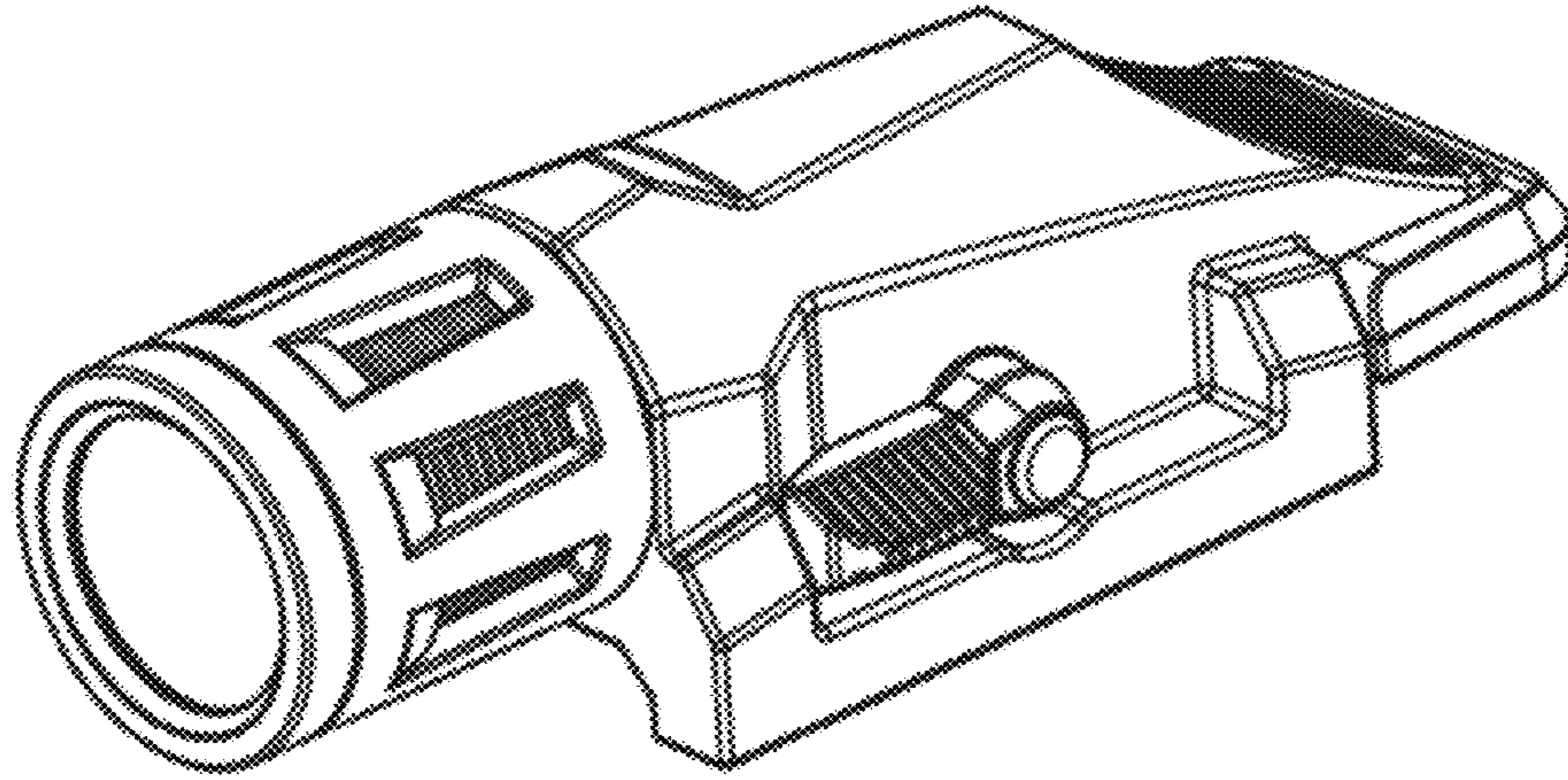


FIG. 1

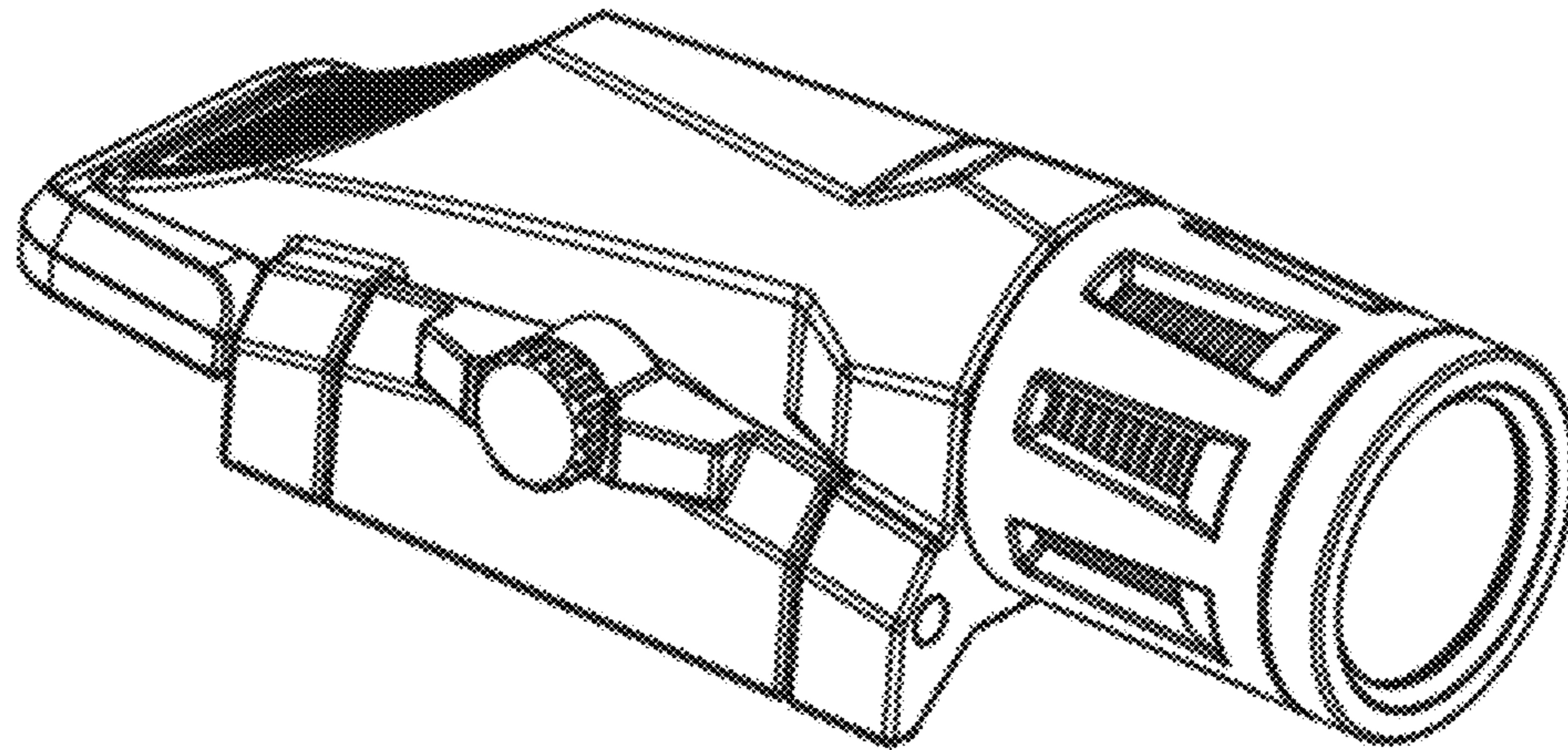


FIG. 2

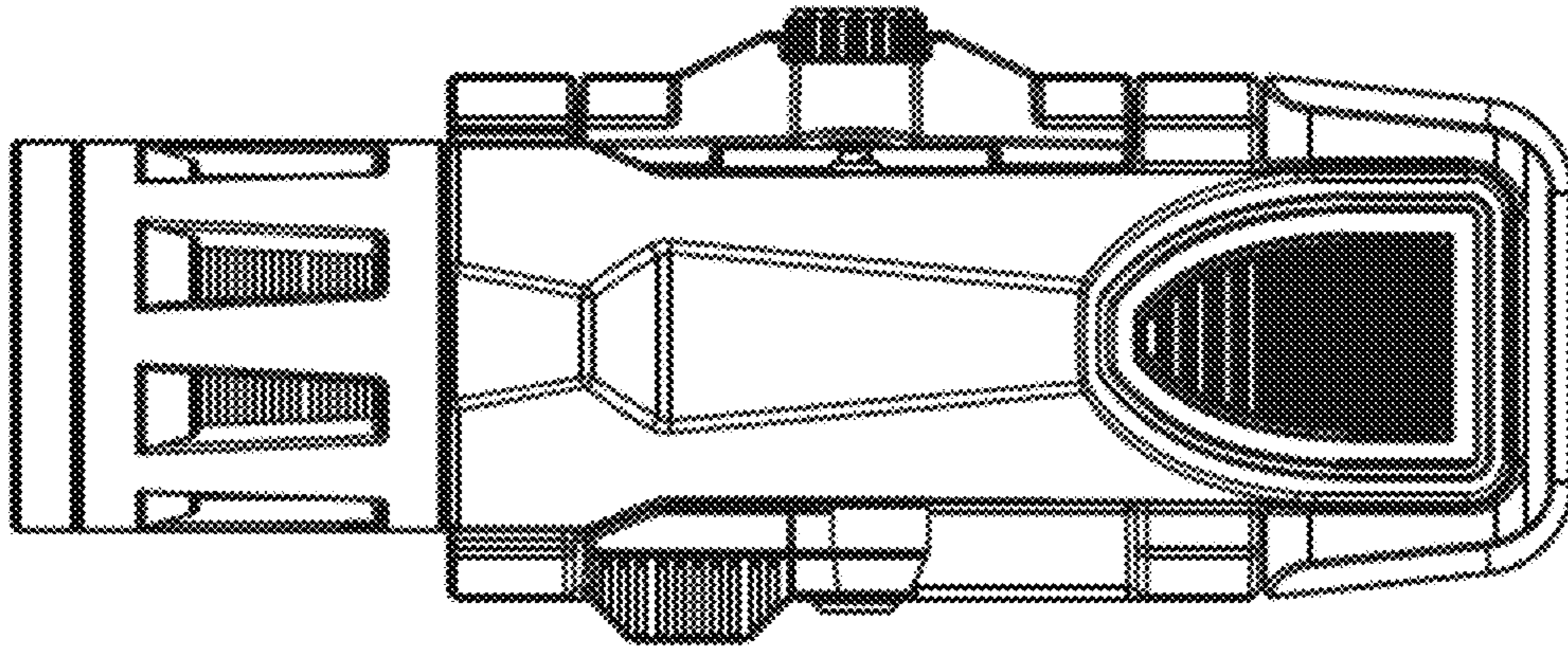


FIG. 3

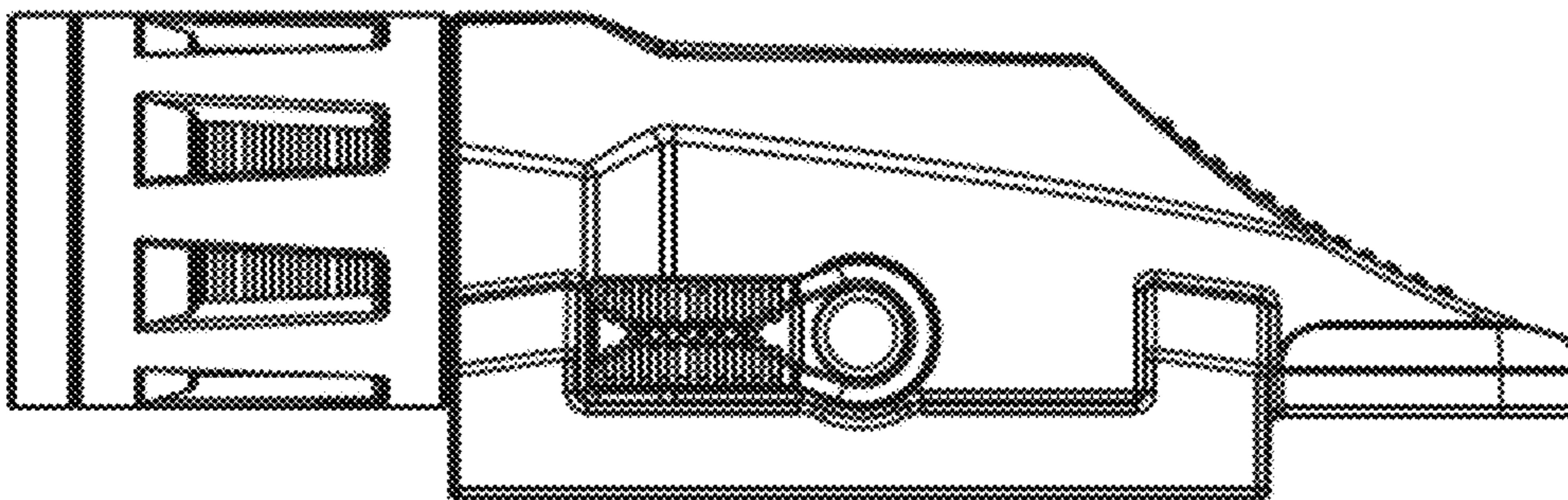


FIG. 4

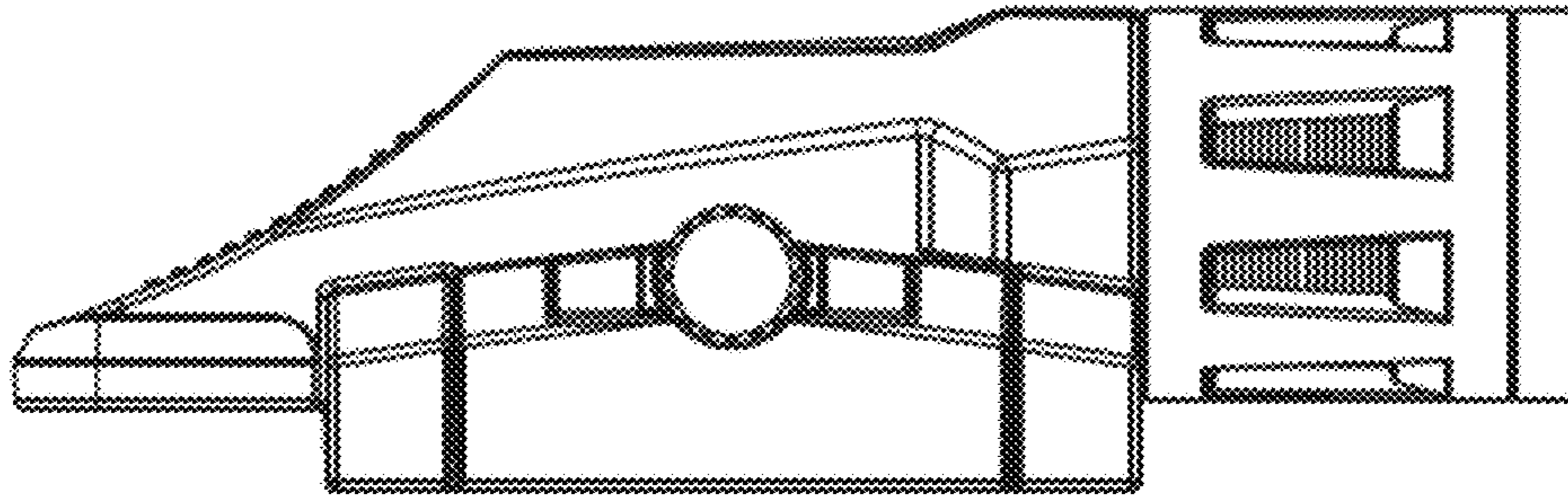


FIG. 5

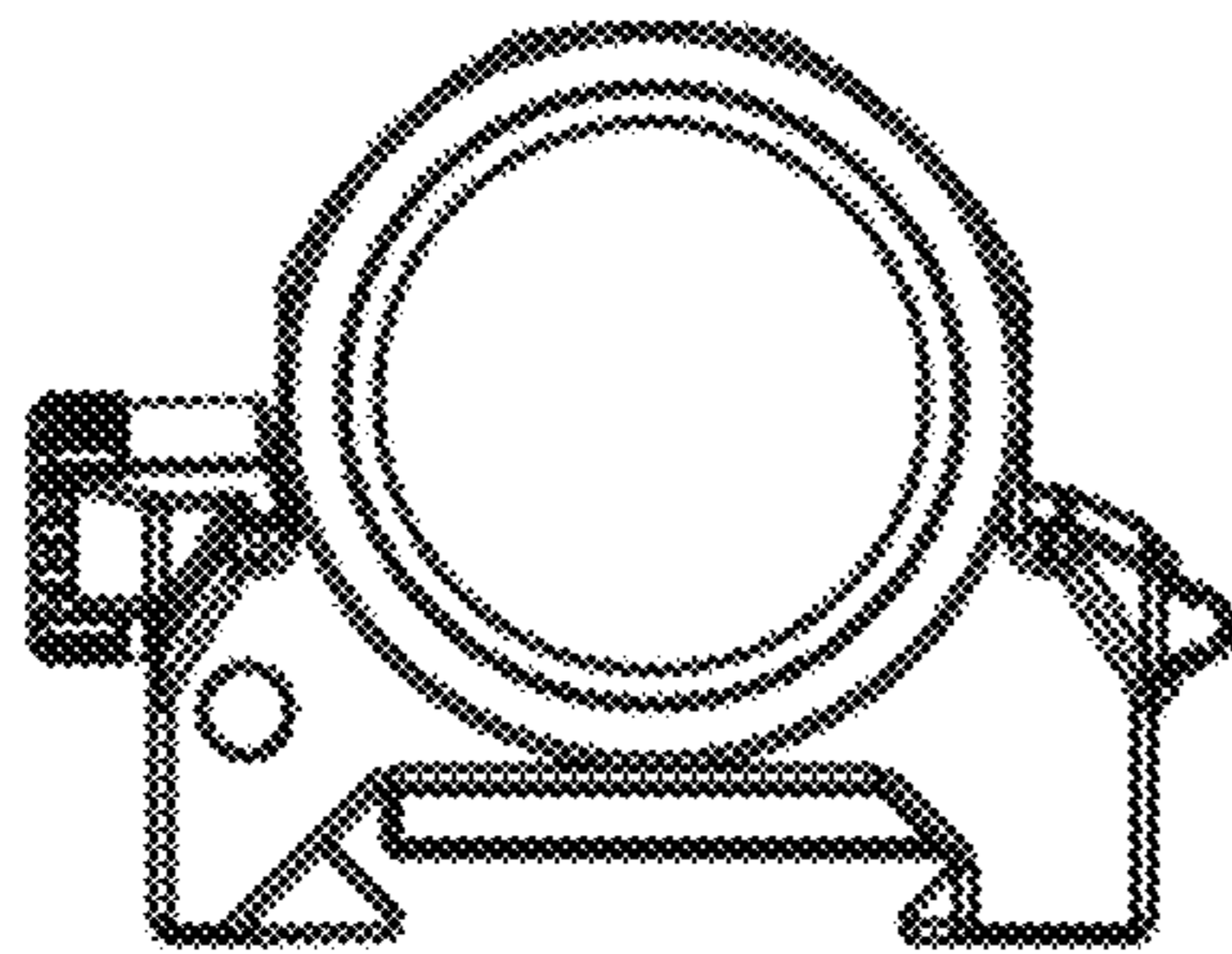


FIG. 6

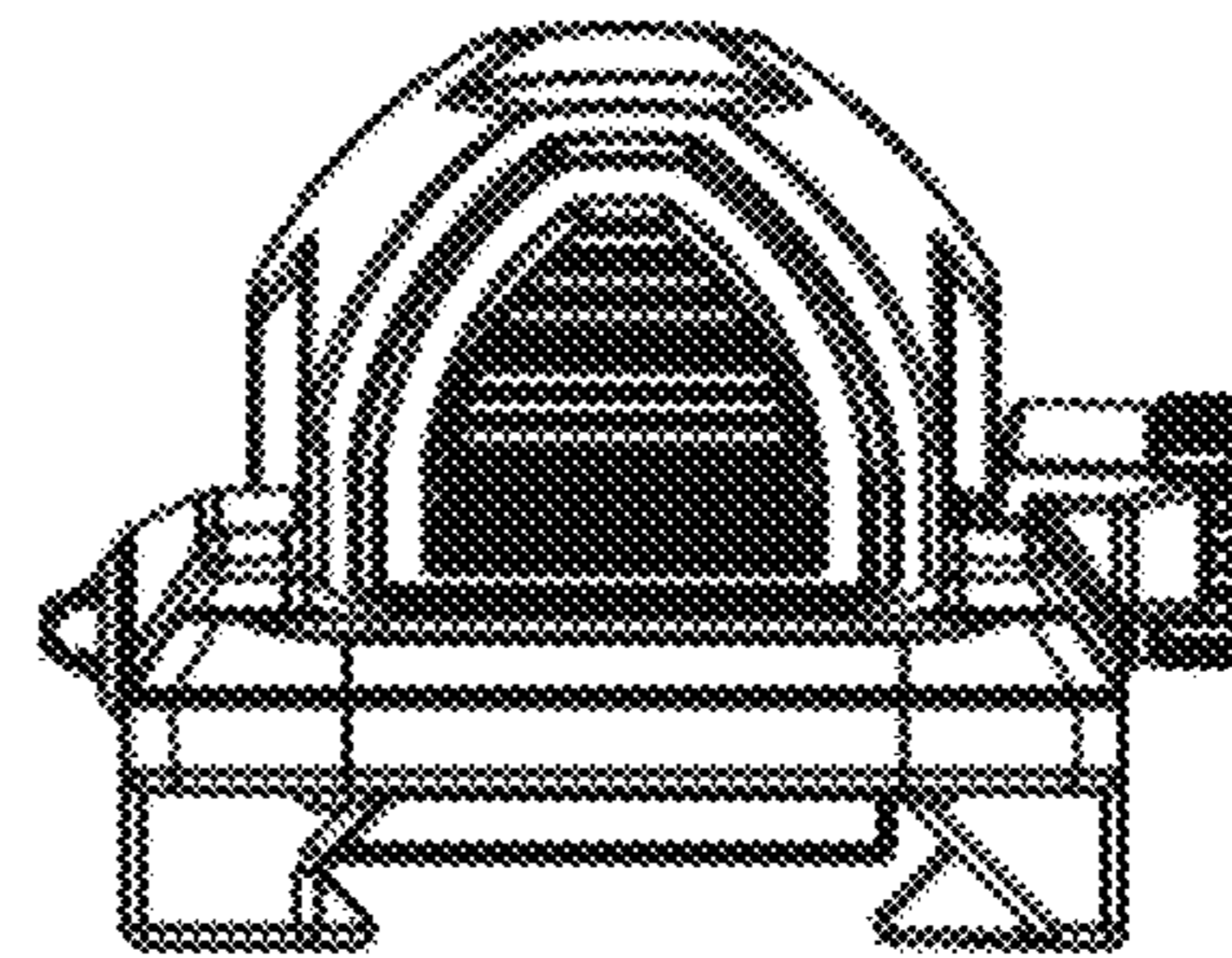


FIG. 7