



US00D813337S

(12) **United States Design Patent**
Hunter et al.

(10) **Patent No.:** **US D813,337 S**
(45) **Date of Patent:** **** Mar. 20, 2018**

- (54) **WATER RIDE**
- (71) Applicant: **PROSLIDE TECHNOLOGY INC.**,
Ottawa, Ontario (CA)
- (72) Inventors: **Richard D. Hunter**, Ottawa (CA);
Raymond T. Smegal, Ottawa (CA)
- (73) Assignee: **Proslide Technology Inc.**, Ottawa (CA)
- (**) Term: **15 Years**
- (21) Appl. No.: **29/571,264**

5,031,556 A	7/1991	Blee	
5,213,547 A *	5/1993	Lochtefeld	A63G 3/00 104/70
5,219,315 A	6/1993	Fuller et al.	
5,230,662 A *	7/1993	Langford	A63G 21/18 472/117
5,503,597 A	4/1996	Lochtefeld	
5,527,646 A	6/1996	Ogino et al.	
D371,414 S *	7/1996	King	D21/821
D375,775 S *	11/1996	King	D21/818
D375,776 S *	11/1996	King	D21/818
5,716,282 A	2/1998	Ring	
5,738,590 A	4/1998	Lochtefeld	
6,006,672 A	12/1999	Newfarmer et al.	

(Continued)

- (22) Filed: **Jul. 15, 2016**
- (51) **LOC (11) Cl.** **21-03**
- (52) **U.S. Cl.**
USPC **D21/819**
- (58) **Field of Classification Search**
USPC D21/818-822
CPC A63G 21/00-21/22
See application file for complete search history.

FOREIGN PATENT DOCUMENTS

CA	2654714 A1	3/2002
CA	2674329 A1	1/2011

(Continued)

Primary Examiner — Mitchell I. Siegel
(74) *Attorney, Agent, or Firm* — Finnegan, Henderson,
Farabow, Garrett & Dunner, L.L.P.

(56) **References Cited**

U.S. PATENT DOCUMENTS

2,604,055 A	7/1949	Snowden	
3,000,022 A	9/1961	Cathey et al.	
3,302,949 A *	2/1967	Wolfe	A63H 23/16 104/73
3,436,074 A	4/1969	Goyen	
4,149,710 A *	4/1979	Rouchard	A63G 21/18 104/70
4,242,829 A *	1/1981	Arnstrom	A63H 23/16 403/300
4,299,171 A *	11/1981	Larson	A63G 3/02 104/70
D266,937 S *	11/1982	Dahlgren	D21/565
4,394,173 A *	7/1983	Aste	A63G 21/06 104/124
D308,563 S *	6/1990	Knight	D21/819

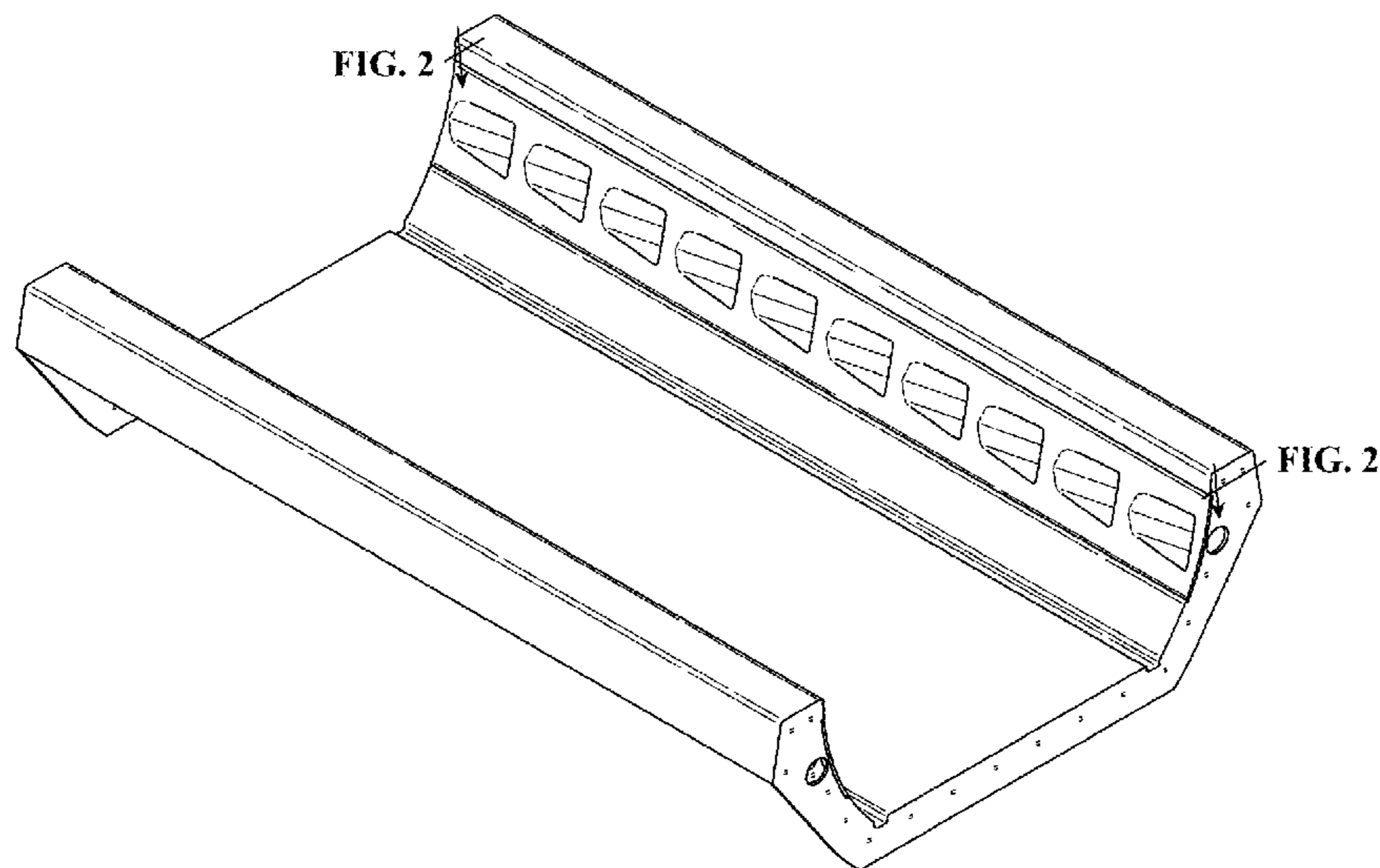
(57) **CLAIM**

The ornamental design of a water ride, as shown and described.

DESCRIPTION

FIG. 1 is a perspective view of a water ride showing our new design;
FIG. 2 is a cross sectional view taken on line 2-2 of FIG. 1;
FIG. 3 is a top plan view of FIG. 1;
FIG. 4 is a bottom plan view of FIG. 1;
FIG. 5 is a left side view of FIG. 1;
FIG. 6 is a right side view of FIG. 1;
FIG. 7 is an end view of FIG. 1; and,
FIG. 8 is an opposite end view of FIG. 7.

1 Claim, 3 Drawing Sheets



(56)

References Cited

U.S. PATENT DOCUMENTS

6,354,955 B1 * 3/2002 Stuart A63G 21/18
104/70

6,435,927 B1 8/2002 Fireman

6,527,646 B1 3/2003 Briggs

6,561,914 B2 5/2003 Henry

6,702,687 B1 3/2004 Henry

6,743,108 B2 6/2004 Hunter

6,758,231 B1 7/2004 Lochtefeld et al.

D495,022 S * 8/2004 Auberger D21/818

D521,098 S * 5/2006 Hunter A63G 31/007
D21/819

7,229,359 B2 6/2007 Henry

D548,810 S * 8/2007 Hunter D21/821

7,285,053 B2 10/2007 Henry et al.

D567,322 S * 4/2008 Hunter D21/821

D583,895 S * 12/2008 Hlynka D21/821

7,497,784 B2 3/2009 Henry

7,727,077 B2 6/2010 Henry et al.

7,731,595 B2 6/2010 Hlynka

7,740,542 B2 6/2010 Henry et al.

7,758,435 B2 7/2010 Henry et al.

7,758,535 B2 7/2010 Levine et al.

7,762,900 B2 7/2010 Henry et al.

7,766,753 B2 8/2010 Henry et al.

7,780,537 B2 * 8/2010 Hlynka A63G 21/18
472/117

7,785,207 B2 8/2010 Henry et al.

D629,861 S * 12/2010 Cuttell D21/821

7,887,426 B2 * 2/2011 Hlynka A63G 21/18
104/70

7,942,752 B2 5/2011 Henry

7,967,692 B2 6/2011 Werner

D650,463 S * 12/2011 Degirmenci D21/819

8,070,616 B2 12/2011 Dubois et al.

8,075,413 B2 12/2011 Henry et al.

8,079,916 B2 12/2011 Henry

8,192,291 B2 * 6/2012 Brassard A63G 21/18
104/69

8,197,353 B2 * 6/2012 Brassard A63G 21/18
104/69

8,210,954 B2 7/2012 Henry et al.

8,282,497 B2 10/2012 Henry et al.

8,360,894 B2 * 1/2013 Hlynka A63G 31/007
472/117

8,360,895 B2 1/2013 Brown

8,430,760 B2 * 4/2013 Brassard A63G 21/18
472/117

8,453,579 B2 6/2013 Nemeth

8,579,715 B2 * 11/2013 Olive A63G 21/18
472/116

D699,805 S * 2/2014 Green D21/818

D705,381 S * 5/2014 Brassard D21/821

D758,517 S * 6/2016 Gonzalez D21/818

D771,213 S * 11/2016 Ozturk D21/821

D779,010 S * 2/2017 Ozturk D21/821

2010/0160054 A1 6/2010 Henry

2012/0201605 A1 9/2012 Hill

2012/0258812 A1 10/2012 Osterman et al.

2013/0184087 A1 7/2013 Degirmenci

2016/0136527 A1 5/2016 Hunter

2017/0043264 A1 2/2017 Hunter et al.

2017/0106295 A1 4/2017 Hunter

FOREIGN PATENT DOCUMENTS

CA 2778601 A1 5/2011

CA 2690687 A1 6/2011

CN 2905159 5/2007

CN 101417179 A 4/2009

JP H-03258280 11/1991

WO WO 88/05745 A1 8/1988

WO WO 2012/048016 A2 4/2012

WO WO 2013/000090 A1 1/2013

WO WO 2014/059561 A1 4/2014

WO WO 2015/161382 A1 10/2015

WO WO 2015/188265 A1 12/2015

* cited by examiner

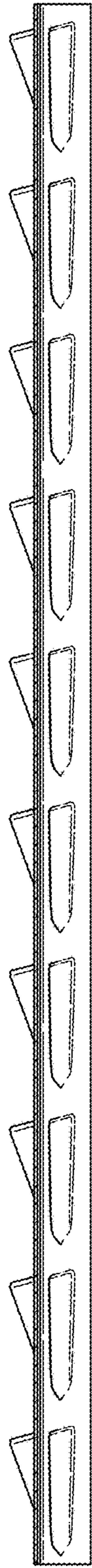


FIG. 2

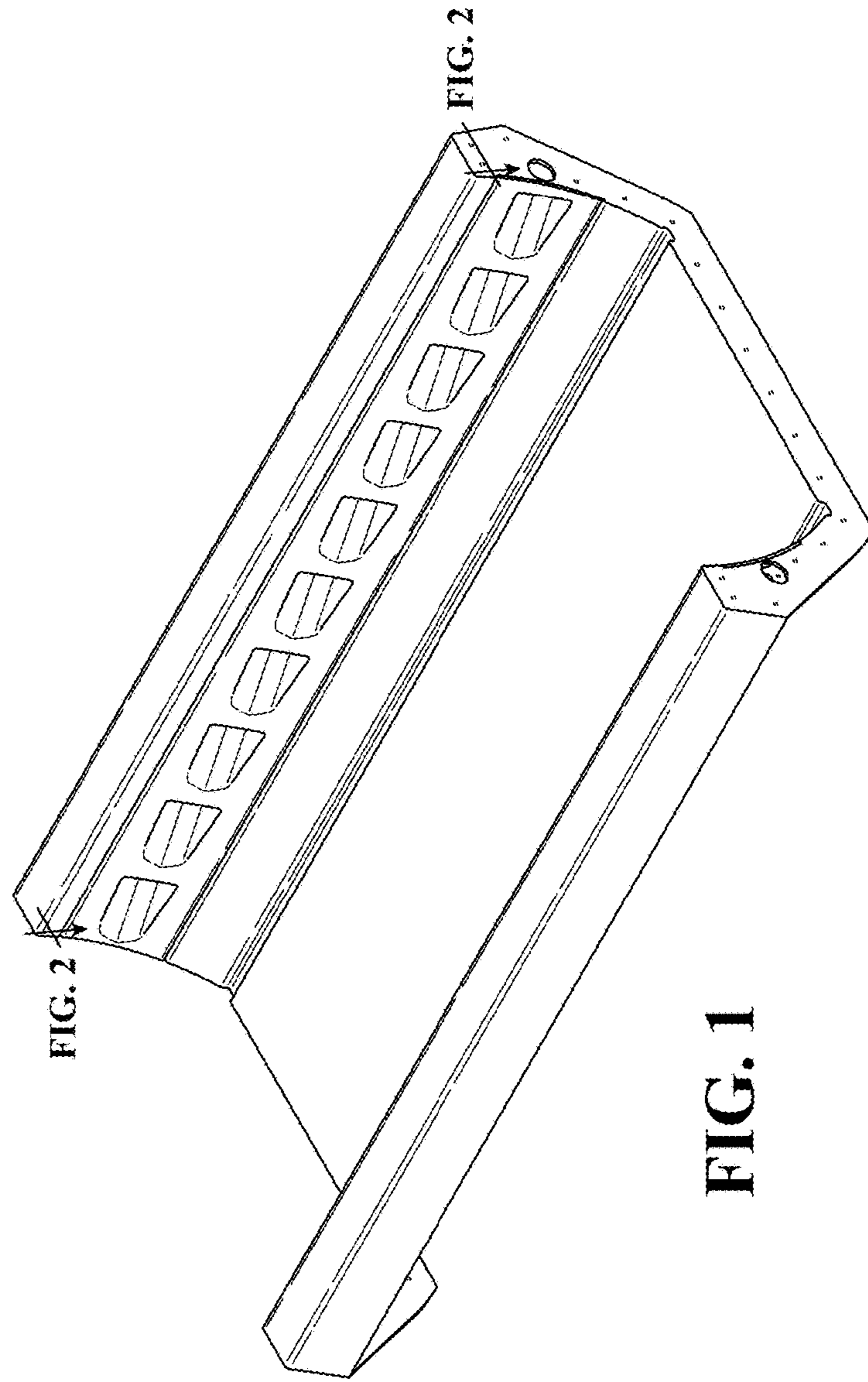


FIG. 1

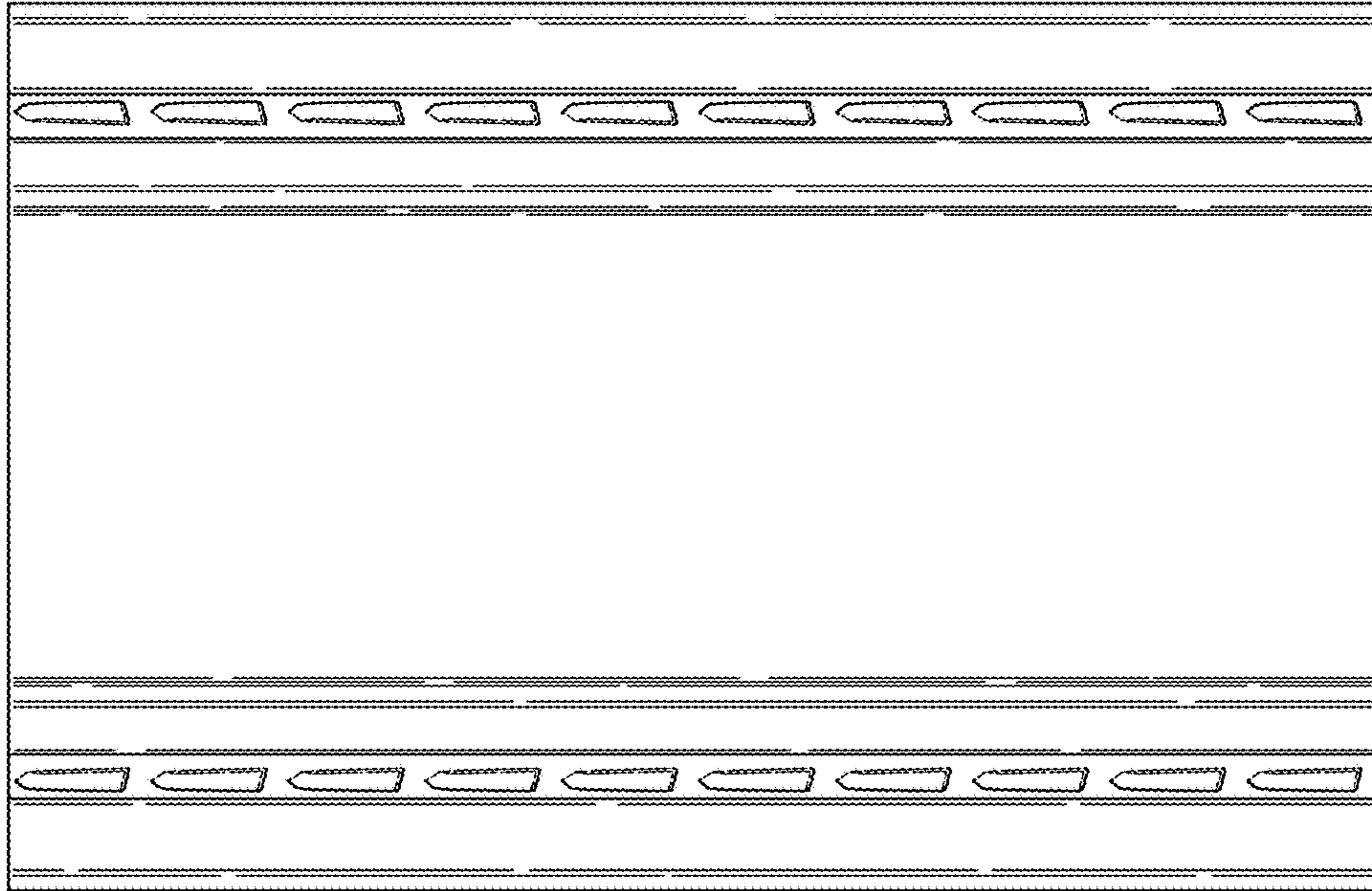


FIG. 3

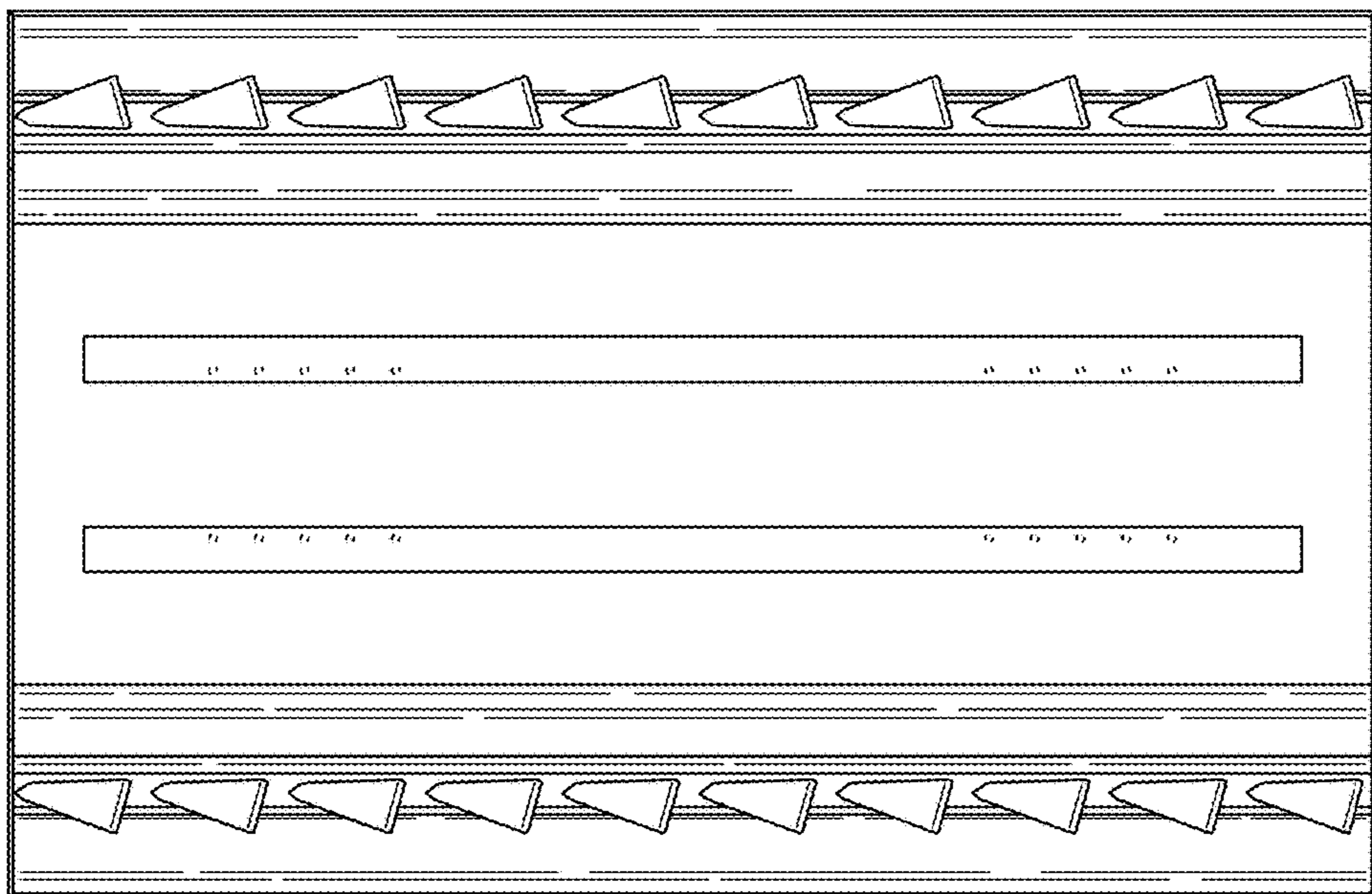


FIG. 4

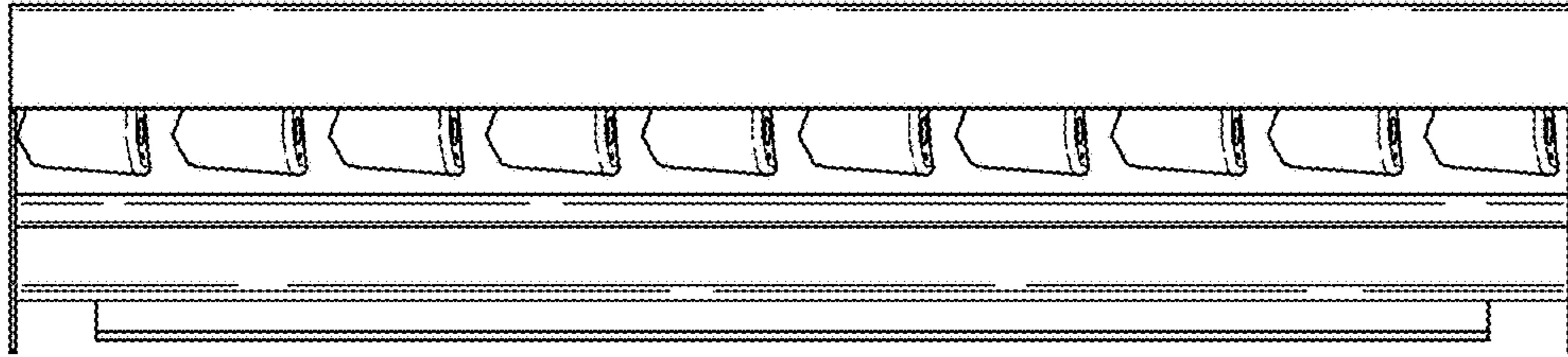


FIG. 5

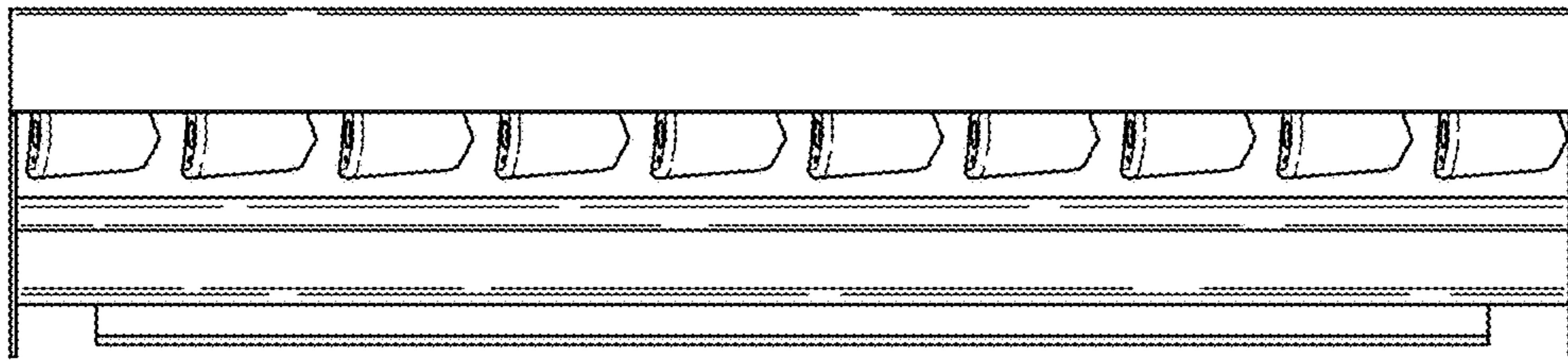


FIG. 6

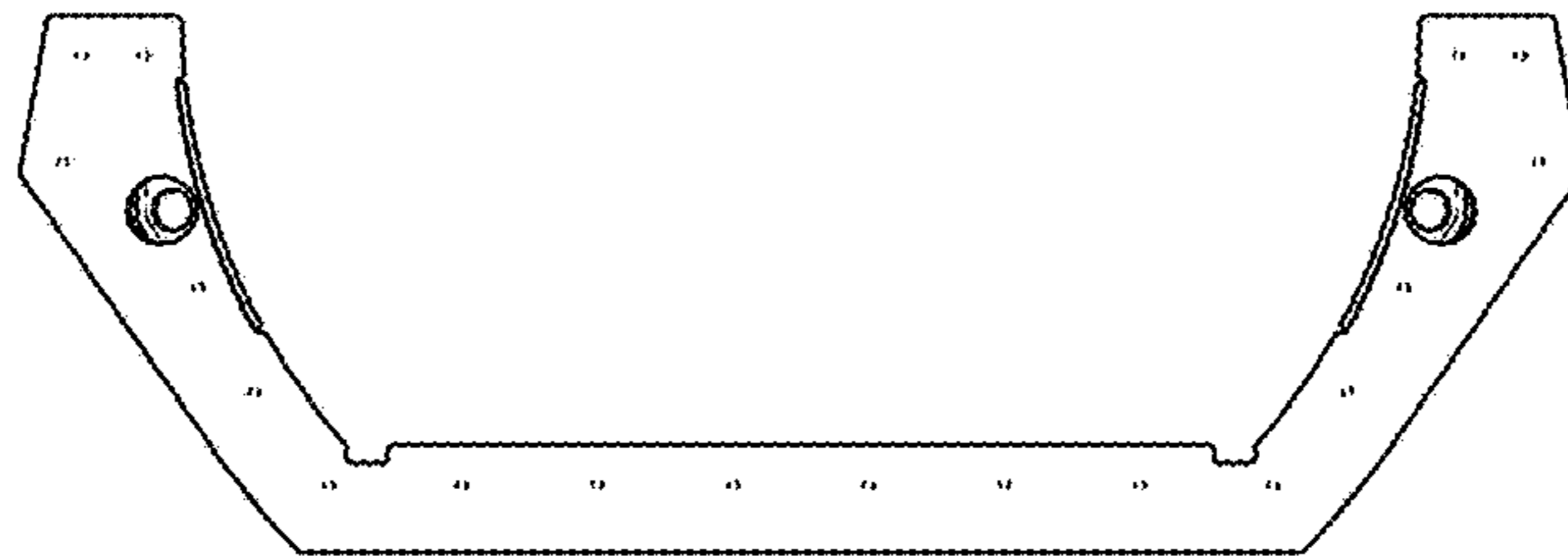


FIG. 7

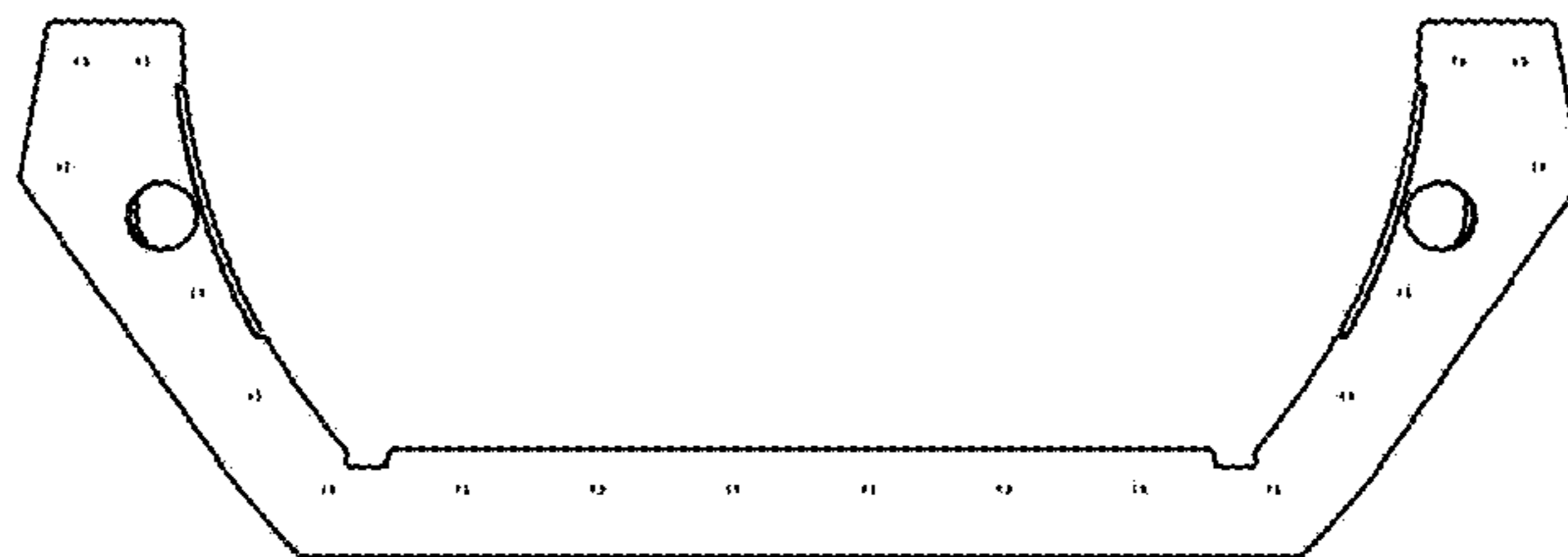


FIG. 8