



US00D813336S

(12) **United States Design Patent**  
**Altemus**

(10) **Patent No.:** **US D813,336 S**  
(45) **Date of Patent:** **\*\* \*Mar. 20, 2018**

(54) **GOLF SWING EXERCISER**  
(71) Applicant: **Armin Joseph Altemus**, Riverside, CA (US)  
(72) Inventor: **Armin Joseph Altemus**, Riverside, CA (US)  
(\* ) Notice: This patent is subject to a terminal disclaimer.  
(\*\* ) Term: **14 Years**  
(21) Appl. No.: **29/520,065**

5,139,264 A \* 8/1992 Wootten ..... A63B 21/023 473/229  
5,156,402 A \* 10/1992 Hart ..... A63B 21/00061 473/229  
5,242,344 A \* 9/1993 Hundley ..... A63B 21/00072 473/229  
5,265,876 A \* 11/1993 Moon ..... A63B 69/365 473/224  
5,288,073 A \* 2/1994 Noel ..... A63B 69/365 473/229  
D362,894 S 10/1995 Gasperoni  
5,458,340 A \* 10/1995 Jackson ..... A63B 69/3647 473/229  
5,474,299 A \* 12/1995 Romano ..... A63B 69/3608 473/212

(Continued)

(22) Filed: **Mar. 10, 2015**  
(51) **LOC (11) Cl.** ..... **21-02**  
(52) **U.S. Cl.**  
USPC ..... **D21/791**  
(58) **Field of Classification Search**  
USPC ..... D21/789, 791  
CPC ... A63B 21/157; A63B 69/365; A63B 21/154; A63B 21/04  
See application file for complete search history.

*Primary Examiner* — Mitchell Siegel  
(74) *Attorney, Agent, or Firm* — Kirk A. Buhler; Buhler & Associates

(57) **CLAIM**

The ornamental design for a golf swing exerciser, as shown and described.

**DESCRIPTION**

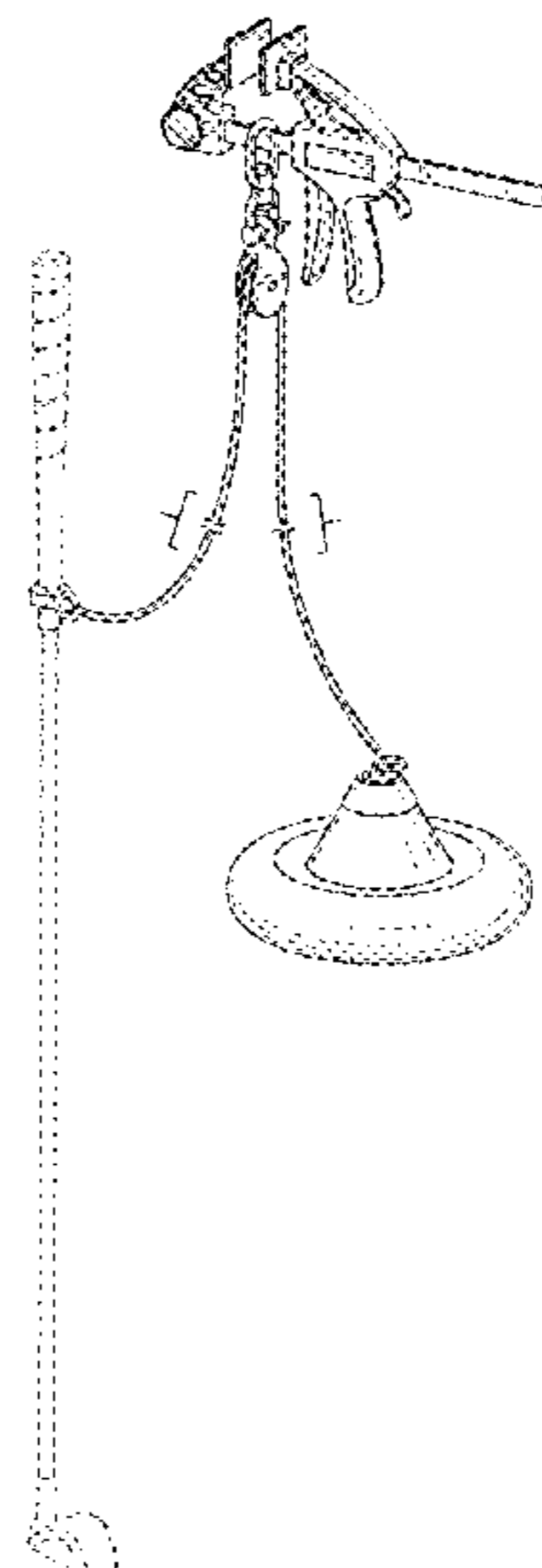
(56) **References Cited**

U.S. PATENT DOCUMENTS

1,137,349 A 4/1915 Patterson  
2,328,408 A \* 8/1943 Beil ..... A63B 69/365 473/229  
3,462,156 A 8/1969 Gentry  
3,604,712 A \* 9/1971 Prior ..... A63B 24/0003 473/229  
3,966,203 A 6/1976 Bickford  
4,229,002 A 10/1980 Masters  
4,261,573 A \* 4/1981 Richards ..... A63B 69/365 473/229  
4,486,020 A \* 12/1984 Kane ..... A63B 69/365 473/229  
4,580,786 A \* 4/1986 Shipley ..... A63B 69/365 473/229  
5,050,874 A \* 9/1991 Fitch ..... A63B 69/365 473/229

FIG. 1 is a top perspective view for a golf swing exerciser showing my new design;  
FIG. 2 is a front side view thereof;  
FIG. 3 is a back side view thereof;  
FIG. 4 is a left side view thereof;  
FIG. 5 is a right side view thereof;  
FIG. 6 is a top side view thereof; and,  
FIG. 7 is a bottom side view thereof.  
The broken lines in FIG. depict environmental subject matter of a golf club for the invention and form no part of the claimed design.  
The claimed design is shown with the rope broken away to indicate that no particular length of the rope forms a part of the claimed design.

**1 Claim, 5 Drawing Sheets**



(56)

**References Cited**

U.S. PATENT DOCUMENTS

5,538,251 A \* 7/1996 Harper ..... A63B 69/365  
473/229  
5,542,674 A \* 8/1996 Kim ..... A63B 24/0003  
473/218  
D387,835 S \* 12/1997 Abram ..... D21/791  
5,947,834 A \* 9/1999 Hope ..... A63B 69/365  
473/218  
6,855,065 B1 \* 2/2005 Hamilton ..... A63B 69/3685  
473/229  
7,048,638 B2 5/2006 Novotny  
7,568,979 B2 \* 8/2009 Arnold, Jr. .... A63B 69/0057  
473/227  
7,585,228 B2 \* 9/2009 McFarlin ..... A63B 21/157  
473/229  
D636,042 S \* 4/2011 Campitelli ..... D21/789  
8,956,237 B2 \* 2/2015 Campitelli ..... A63B 69/3614  
473/220

\* cited by examiner

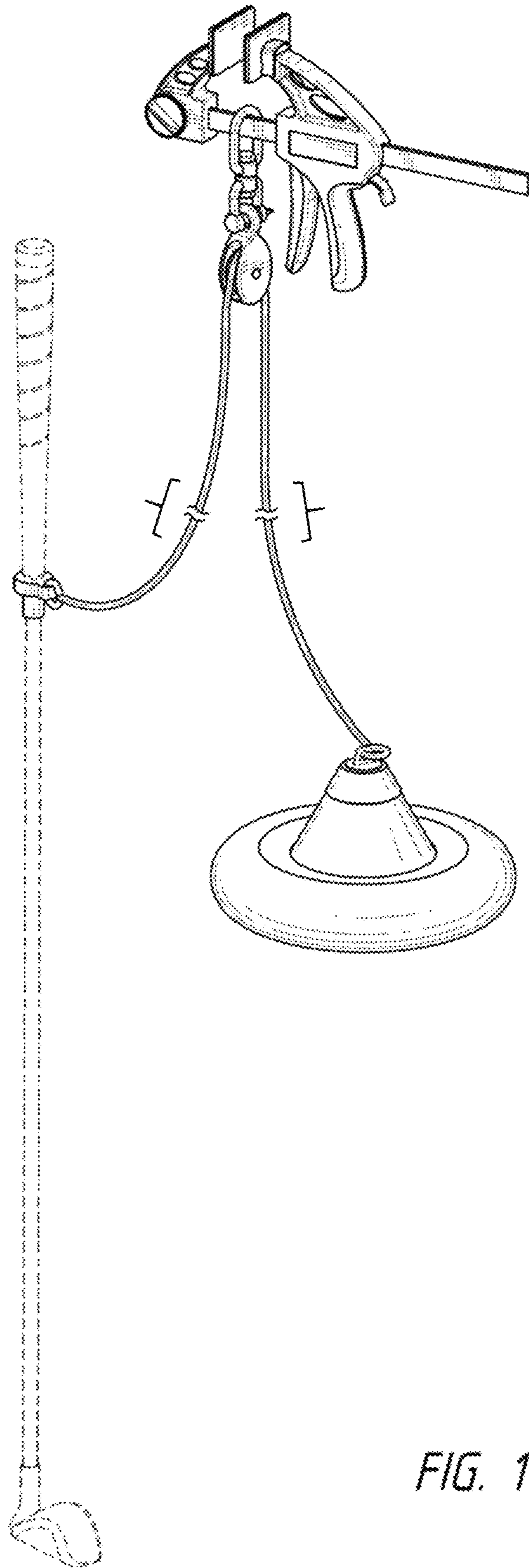


FIG. 1

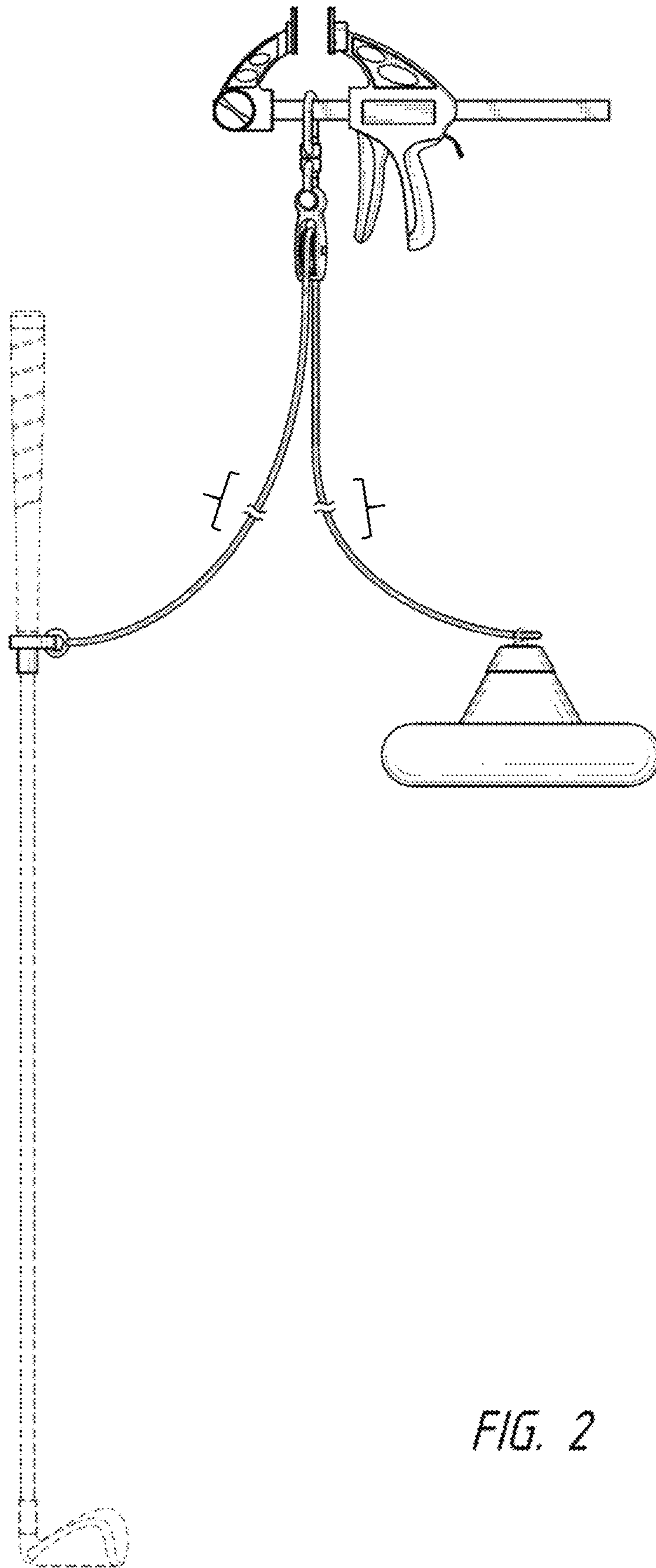


FIG. 2

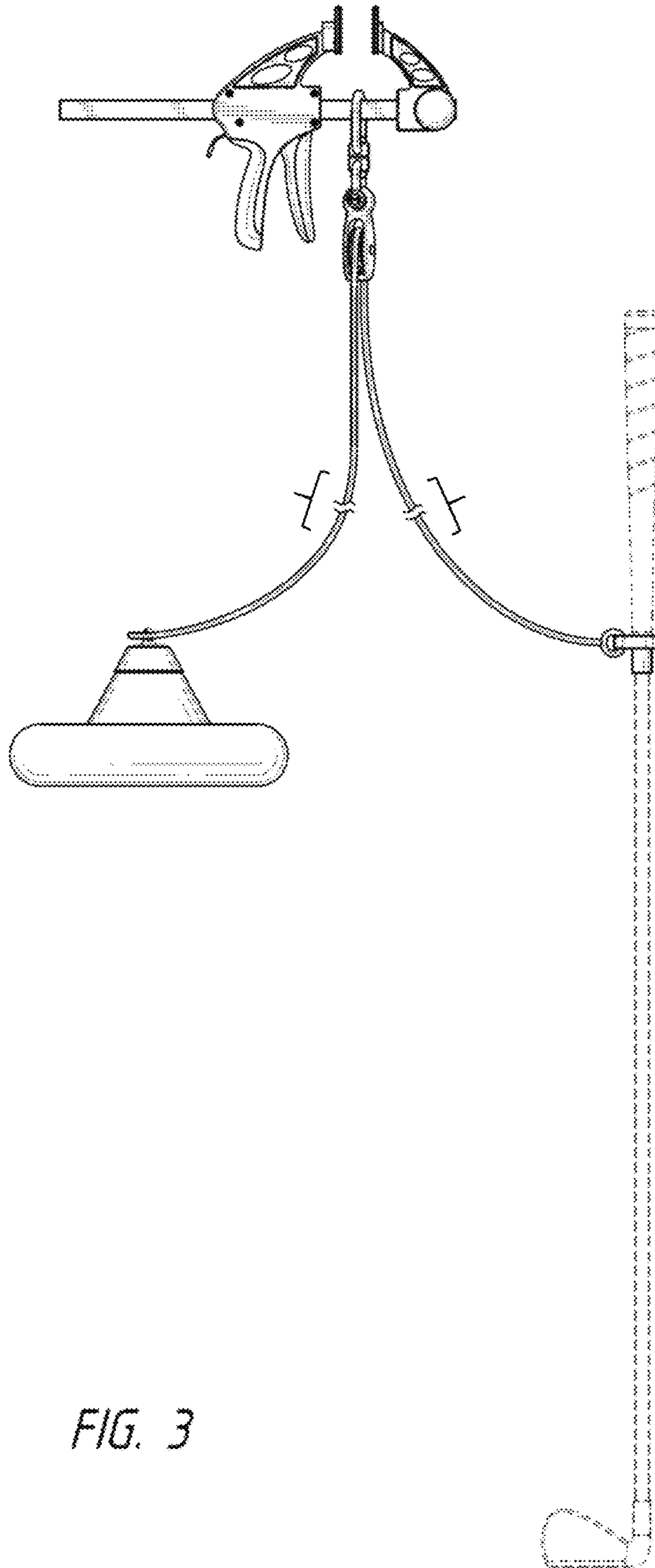


FIG. 3

