



US00D813335S

(12) **United States Design Patent**
Lin

(10) **Patent No.:** **US D813,335 S**
(45) **Date of Patent:** **** Mar. 20, 2018**

(54) **BILLIARD CUE HOLDER**
(71) Applicant: **DONGGUAN SHANGLUN SPORTS EQUIPMENTS CO., LTD.**, Dongguan (CN)
(72) Inventor: **Wan-Yang Lin**, New Taipei (TW)
(73) Assignee: **DONGGUAN SHANGLUN SPORTS EQUIPMENTS CO., LTD.**, Dongguan, Ganton Province (CN)

5,255,799 A * 10/1993 Haynes A63D 15/10
211/68
5,657,882 A * 8/1997 Johnson A47B 81/005
211/68
D440,803 S * 4/2001 McCormick D6/552
7,815,057 B2 * 10/2010 Bush A63D 15/10
211/14
8,162,155 B2 * 4/2012 Spencer A63D 15/10
211/60.1
D702,967 S * 4/2014 Mathis D21/782
D800,858 S * 10/2017 D'Ambrosio D21/782
D805,593 S * 12/2017 Colombo D21/782

(**) Term: **15 Years**

* cited by examiner

(21) Appl. No.: **29/598,453**

Primary Examiner — Prabhakar Deshmukh

(22) Filed: **Mar. 27, 2017**

(74) *Attorney, Agent, or Firm* — Leong C. Lei

(51) **LOC (11) Cl.** **21-01**

(52) **U.S. Cl.**
USPC **D21/782**

(57) **CLAIM**

(58) **Field of Classification Search**
USPC D21/782–784; D3/254, 221, 255, 259,
D3/328, 328.1, 904; 248/171, 538, 96,
248/97; 211/172; 206/315.1, 443, 1.5,
206/109; 190/109, 119–121
CPC A45C 7/00; A63B 55/00; A63B 55/10;
A63B 57/00; B65D 85/20; F16M 11/40;
F16M 13/00
See application file for complete search history.

The ornamental design for a billiard cue holder, as shown and described.

DESCRIPTION

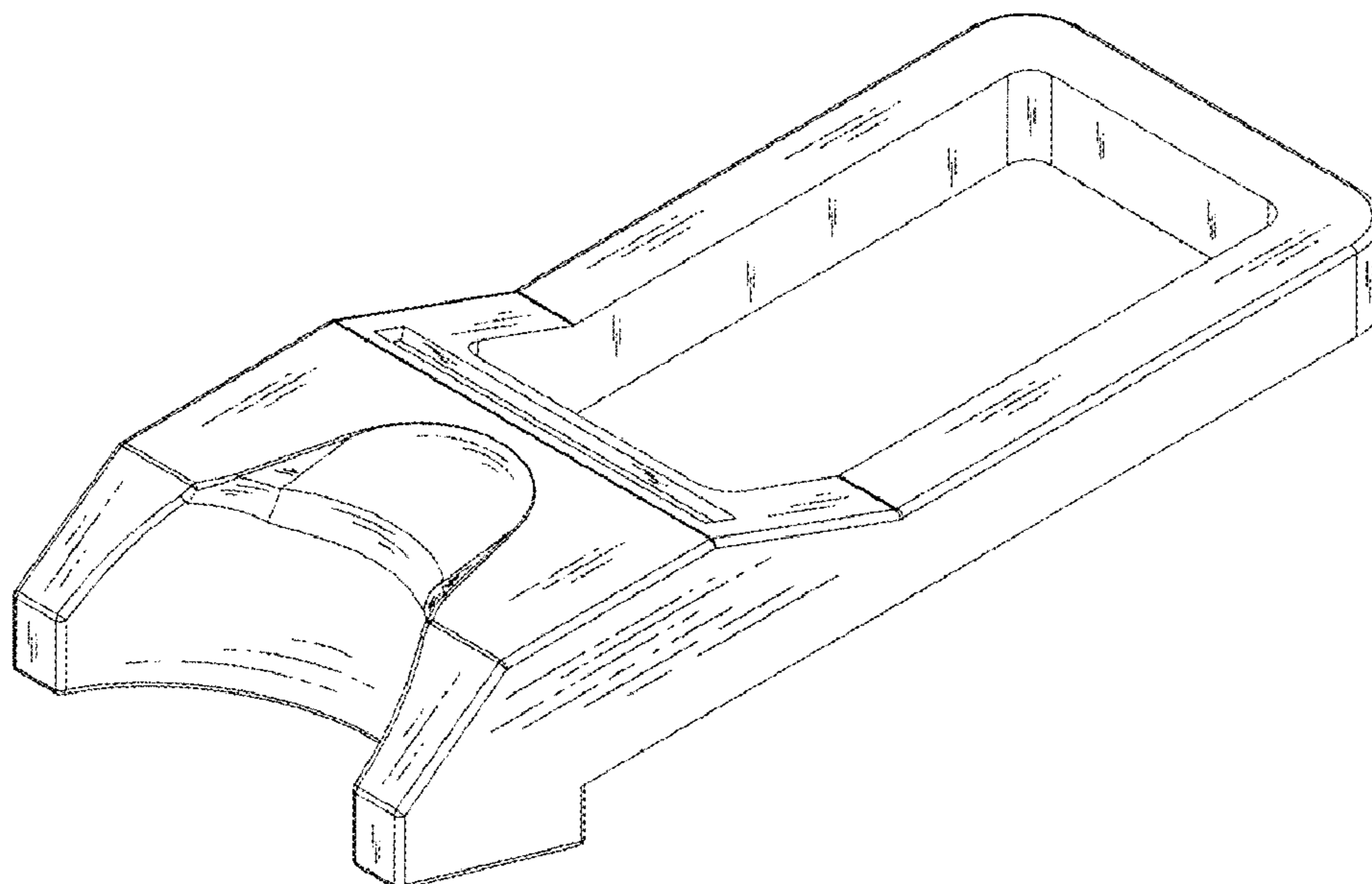
(56) **References Cited**

U.S. PATENT DOCUMENTS

1,898,265 A * 2/1933 Ragan F16D 3/32
464/114
5,139,221 A * 8/1992 Lodrick A47F 7/0028
211/68

FIG. 1 is a perspective view of a billiard cue holder showing my new design;
FIG. 2 is a front elevational view thereof;
FIG. 3 is a rear elevational view thereof;
FIG. 4 is a left side view thereof;
FIG. 5 is a right side view thereof;
FIG. 6 is a top plan view thereof; and,
FIG. 7 is a bottom plan view thereof.

1 Claim, 4 Drawing Sheets



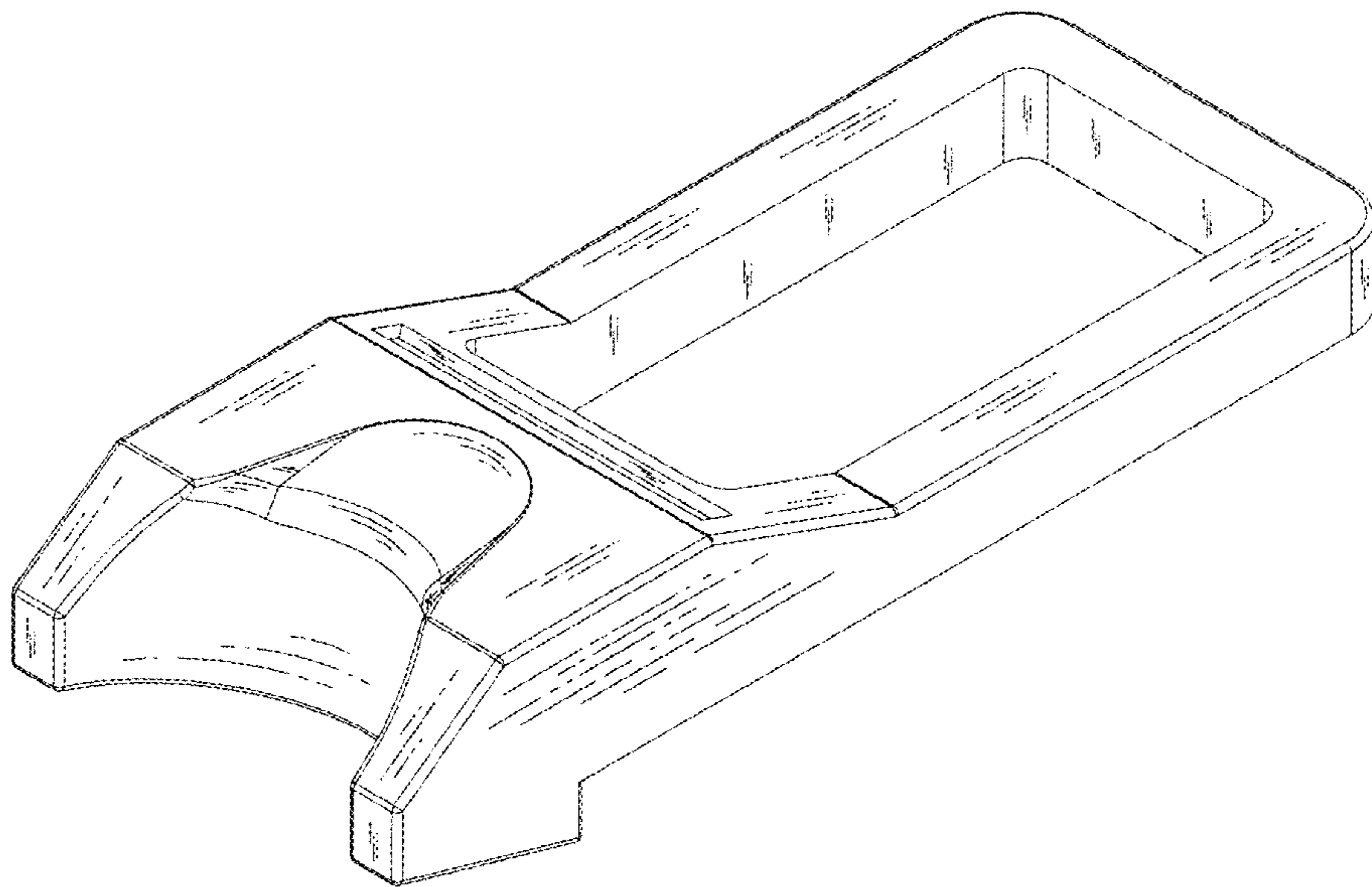


Fig. 1

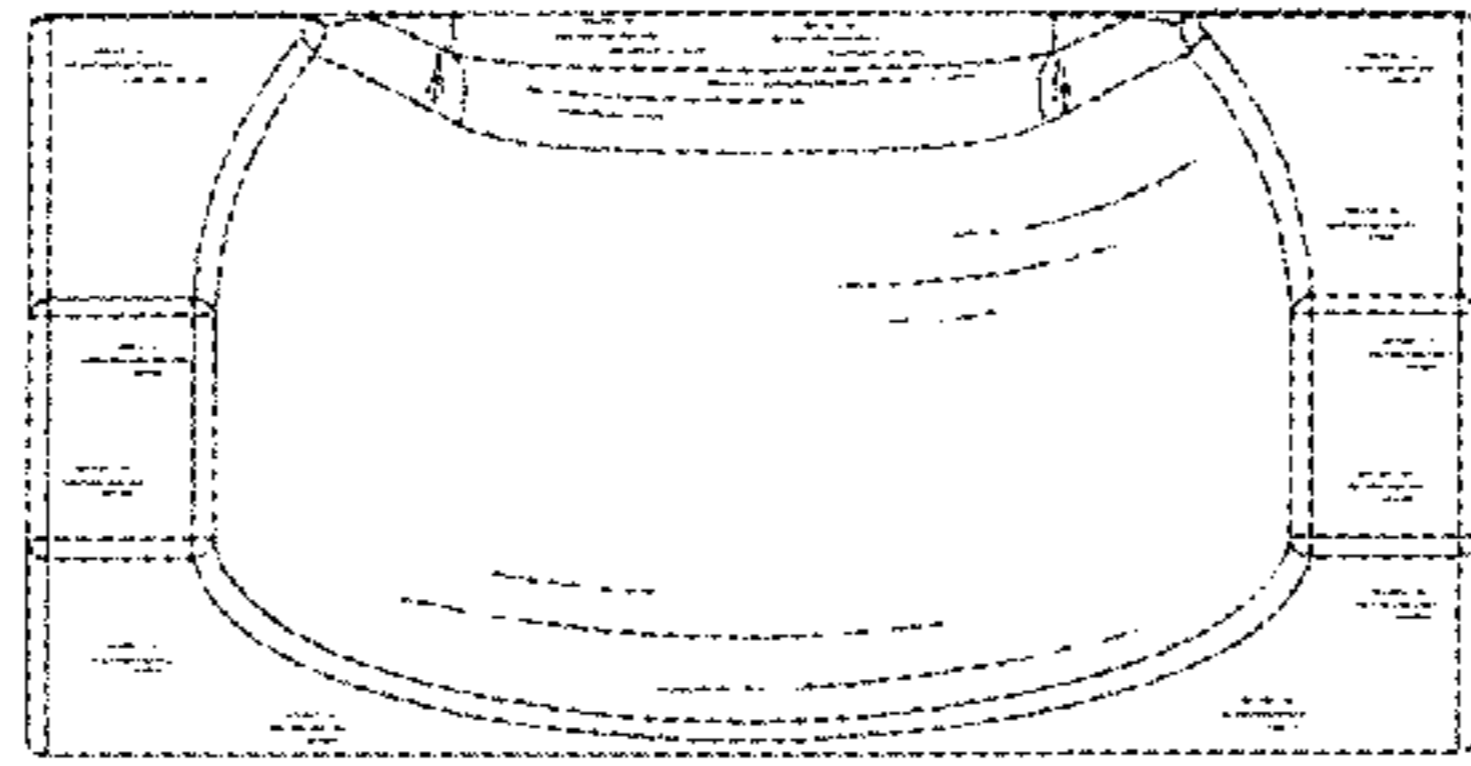


Fig. 2

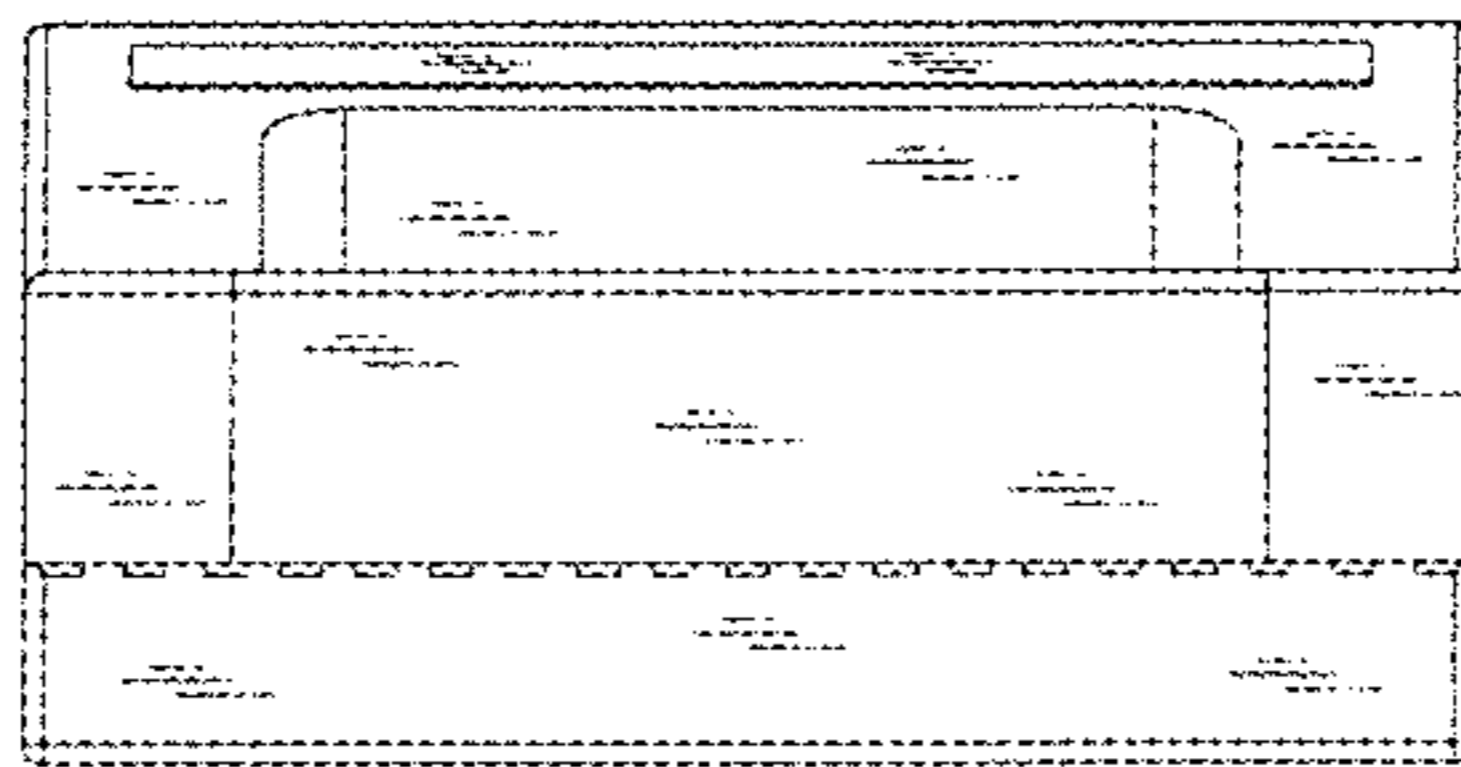


Fig. 3

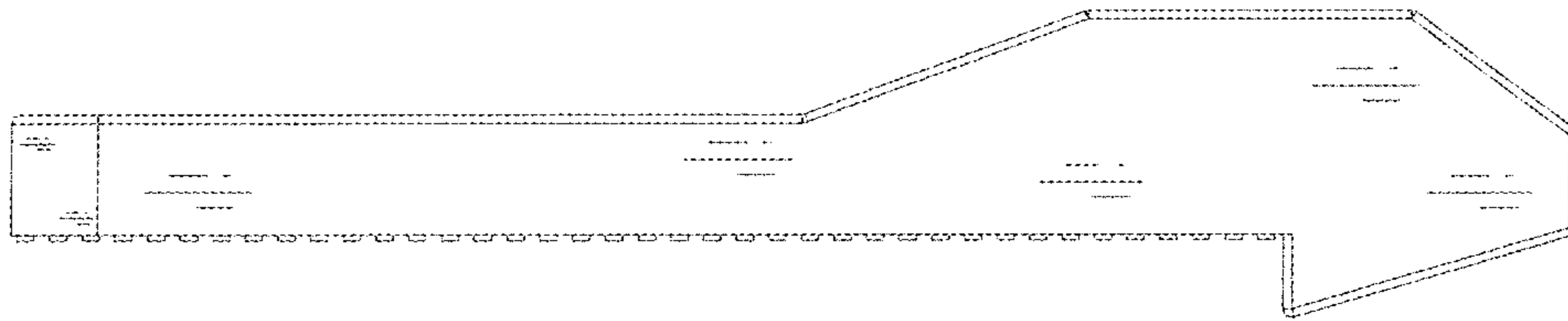


Fig. 4

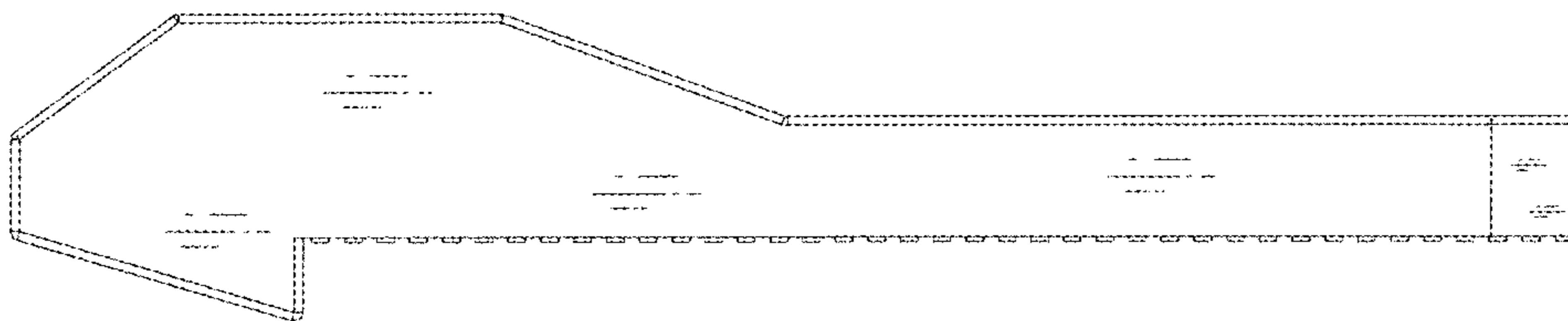


Fig. 5

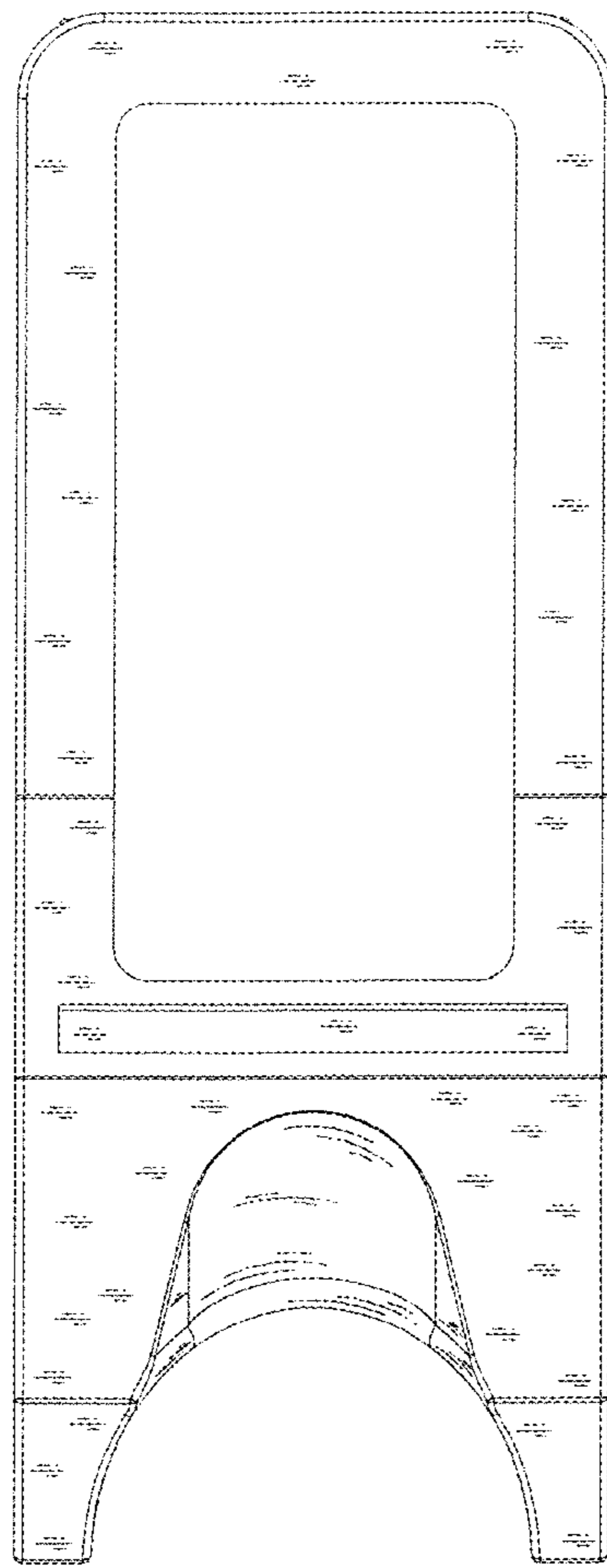


Fig. 6

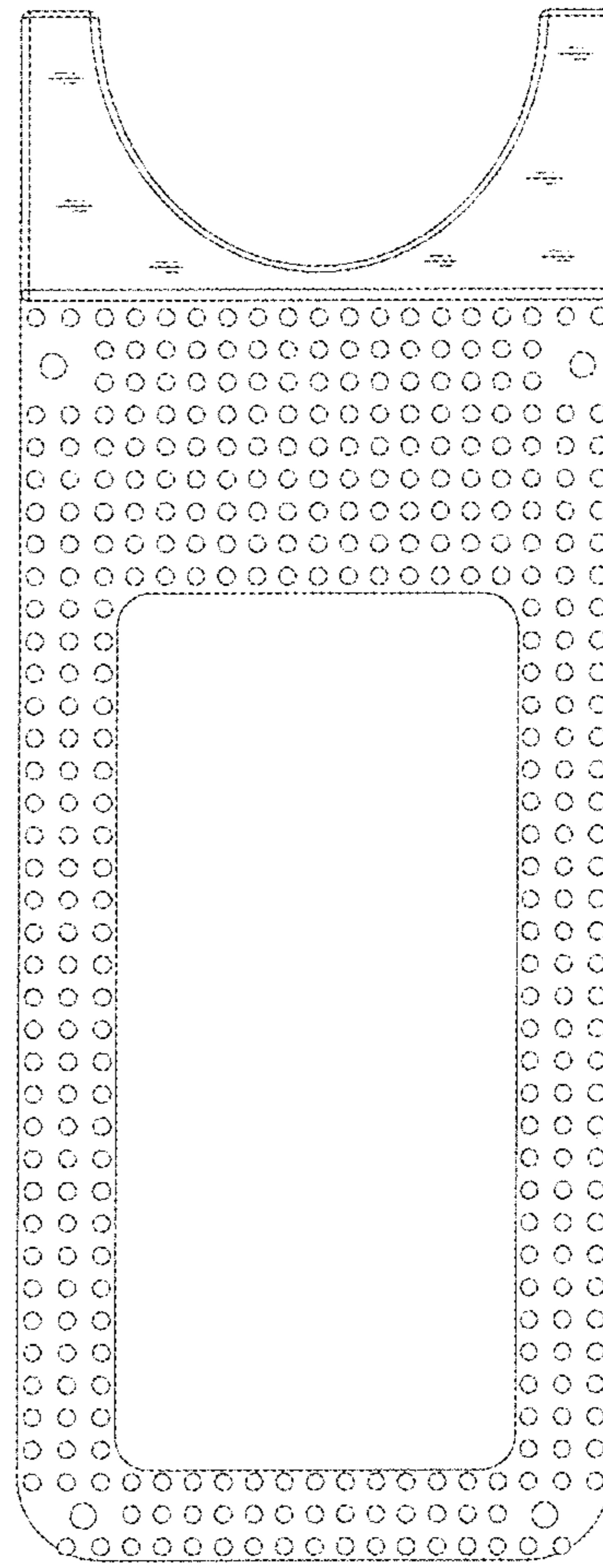


Fig. 7