



US00D813334S

(12) **United States Design Patent** (10) **Patent No.:** **US D813,334 S**
Rok (45) **Date of Patent:** **** Mar. 20, 2018**

(54) **SPORTS TRAINING EQUIPMENT**
(71) Applicant: **SPORT EVO d.o.o.**, Velenje (SI)
(72) Inventor: **Tomazic Rok**, Velenje (SI)
(73) Assignee: **SPORT EVO d.o.o.**, Velenje (SI)

D406,718 S * 3/1999 Jacobs D21/686
D430,083 S * 8/2000 Spearin D12/168
D441,823 S * 5/2001 Blackhurst D21/797
D460,141 S * 7/2002 Gourchounian D21/820
D491,994 S * 6/2004 Peterson D21/803
(Continued)

(**) Term: **15 Years**

(21) Appl. No.: **35/500,036**

(22) Filed: **Jun. 3, 2015**

(80) **Hague Agreement Data**

Int. Filing Date: **Jun. 3, 2015**
Int. Reg. No.: **DM/086811**
Int. Reg. Date: **Jun. 3, 2015**
Int. Reg. Pub. Date: **Jul. 10, 2015**

(51) **LOC (11) Cl.** **21-02**

(52) **U.S. Cl.**
USPC **D21/771; D21/797**

(58) **Field of Classification Search**
USPC D21/498, 499, 504, 505, 596, 604, 605,
D21/670, 686, 797, 803, 809, 817, 820,
D21/826, 827, 787, 798, 760, 766, 771;
D6/596, 604, 605; D25/31
CPC A63B 2071/0063; A63B 2208/12; A63B
21/4037; A63B 6/00; A63B 5/11; A63B
67/002

See application file for complete search history.

(56) **References Cited**

U.S. PATENT DOCUMENTS

D169,243 S * 4/1953 Doherty 482/86
D206,864 S * 2/1967 Noyes D25/31
D223,378 S * 4/1972 Austin D21/797
4,137,583 A * 2/1979 Baldwin A63C 19/04
482/23
4,635,306 A * 1/1987 Willey A47C 3/16
5/632
D376,945 S * 12/1996 Bonaddio 5/420
D377,201 S * 1/1997 Howard D21/787

OTHER PUBLICATIONS

China most popular children indoor soft playground equipment, Qixin, Alibaba, dated 2016, [online], [site visited May 11, 2016] Available from internet, <URL: http://www.alibaba.com/product-detail/China-most-popular-children-indoor-soft_60175062151.html>.*

(Continued)

Primary Examiner — Jeffrey D Asch
Assistant Examiner — Marissa J Cash
(74) *Attorney, Agent, or Firm* — Studebaker & Brackett PC

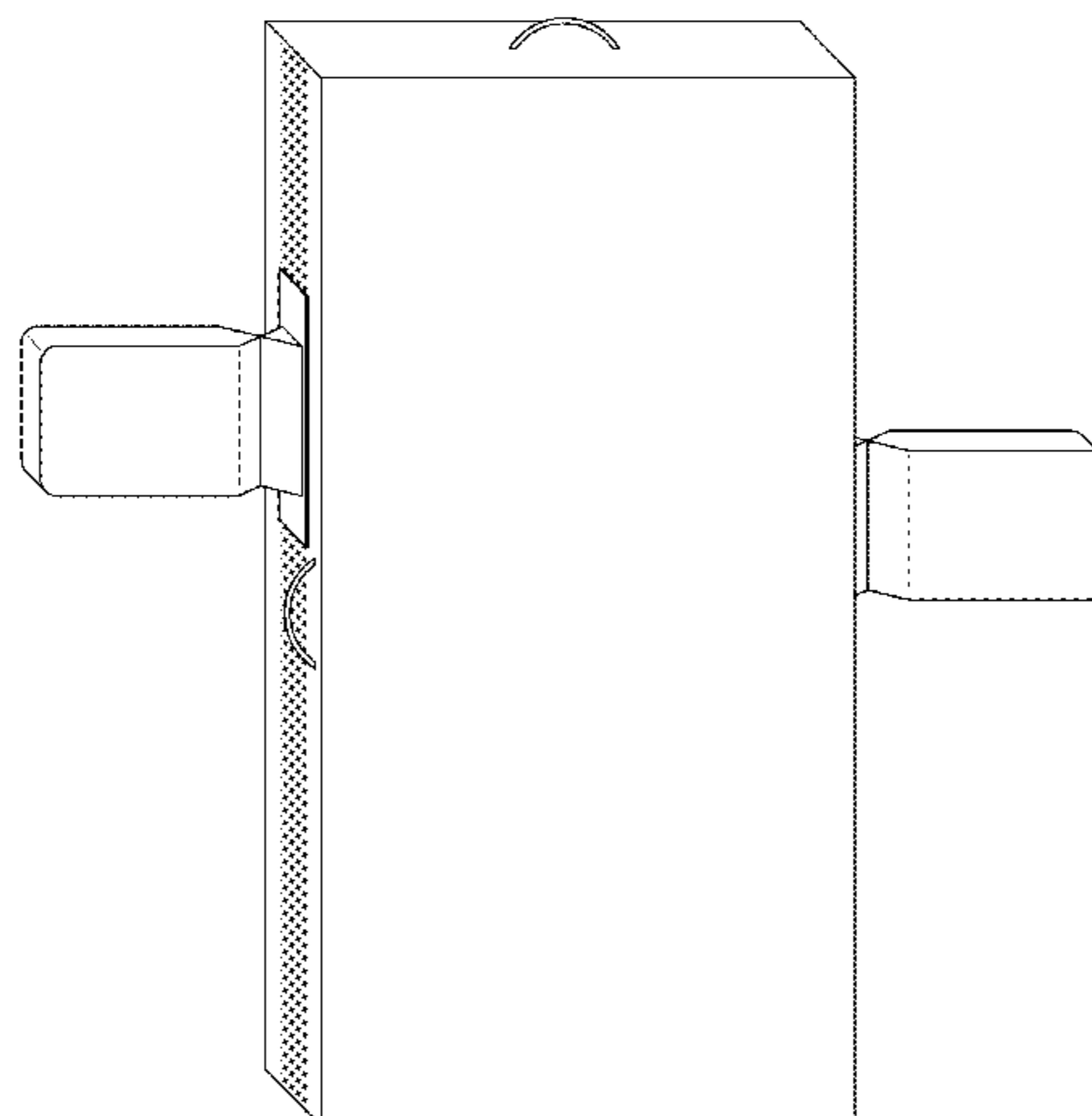
(57) **CLAIM**

The ornamental design for sports training equipment, as shown and described.

DESCRIPTION

1.-2. Sports training equipment
Figure 1.1 is a front view of a sports training equipment showing my new design;
Figure 1.2 is a left side view thereof, shown in an alternate configuration of use;
Figure 1.3 is a bottom view thereof;
Figure 1.4 is an exploded view thereof;
Figure 1.5 is a front perspective view thereof, shown in an alternate configuration of use;
Figure 2.1 is a front view of an alternate embodiment;
Figure 2.2 is a left side view thereof;
Figure 2.3 is a bottom view thereof;
Figure 2.4 is a front perspective view thereof;
Figure 2.5 is an exploded view thereof, with the constituent parts separated for illustrative purposes.

(Continued)



The portion shown in dotted lines is for illustrative purposes only and forms no parts of the claimed design.

1 Claim, 10 Drawing Sheets

D723,127	S *	2/2015	Green	D21/814
D744,767	S *	12/2015	Morrison	D6/605
D755,910	S *	5/2016	Randazzo	D21/686
2003/0038523	A1 *	2/2003	Sands	A47C 3/16
					297/452.16
2007/0167246	A1 *	7/2007	McKee	A63G 21/00
					472/116

(56)

References Cited

U.S. PATENT DOCUMENTS

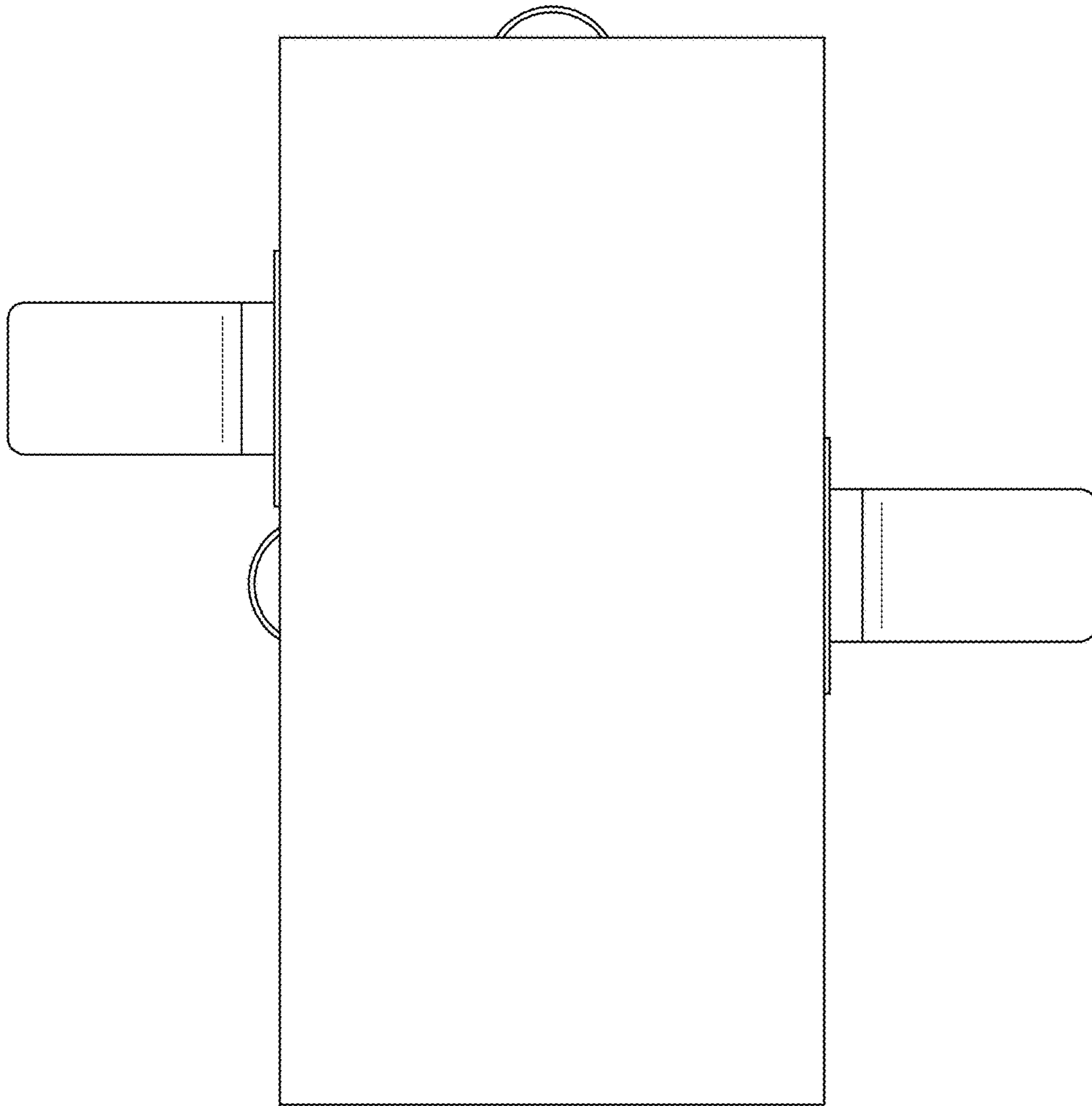
D500,113	S *	12/2004	Frey	D21/817
D501,112	S *	1/2005	Kasatshko	D21/809
D543,064	S *	5/2007	Hale	D6/596
D548,479	S *	8/2007	Clark	D21/809
D550,784	S *	9/2007	Glickman	D21/505
D565,131	S *	3/2008	Decker	D21/686
D632,353	S *	2/2011	Ashton, III	D21/803
7,878,877	B2 *	2/2011	Scherba	A63G 9/00
					446/220
7,976,396	B2 *	7/2011	Boretskin	A63G 31/12
					472/134

OTHER PUBLICATIONS

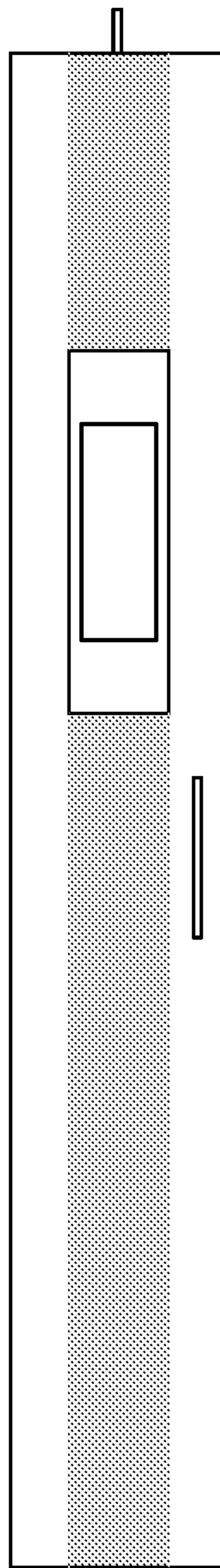
Pottz Soft play systems, combos and systems, dated 2011, [online], [site visited May 11, 2016] Available from internet, <URL:http://www.softplayequipment.co.za/play_mats_sleep_mats_landing_cushions.htm>.*

Inteligentna didacticna igrala, five & lines, Intelligent sports equipment, [online] [site visited Sep. 19, 2016], Available from Internet, <URL:<http://www.5-lines.si/index.php/idea-0/intelligent-didactic-tools>>.*

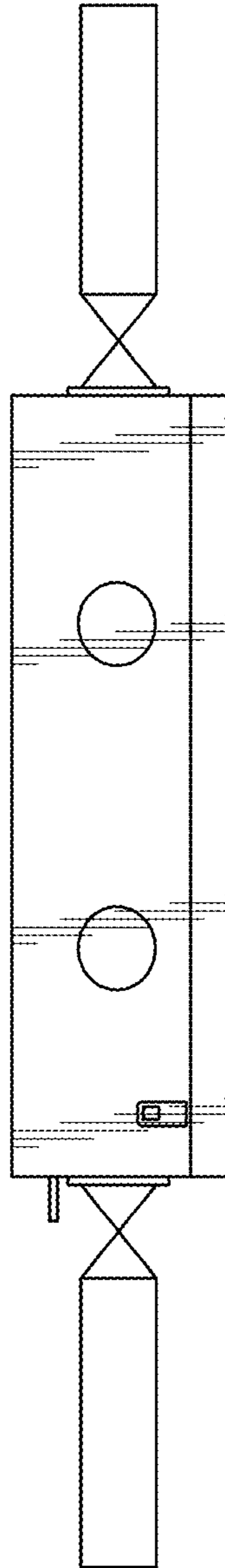
* cited by examiner



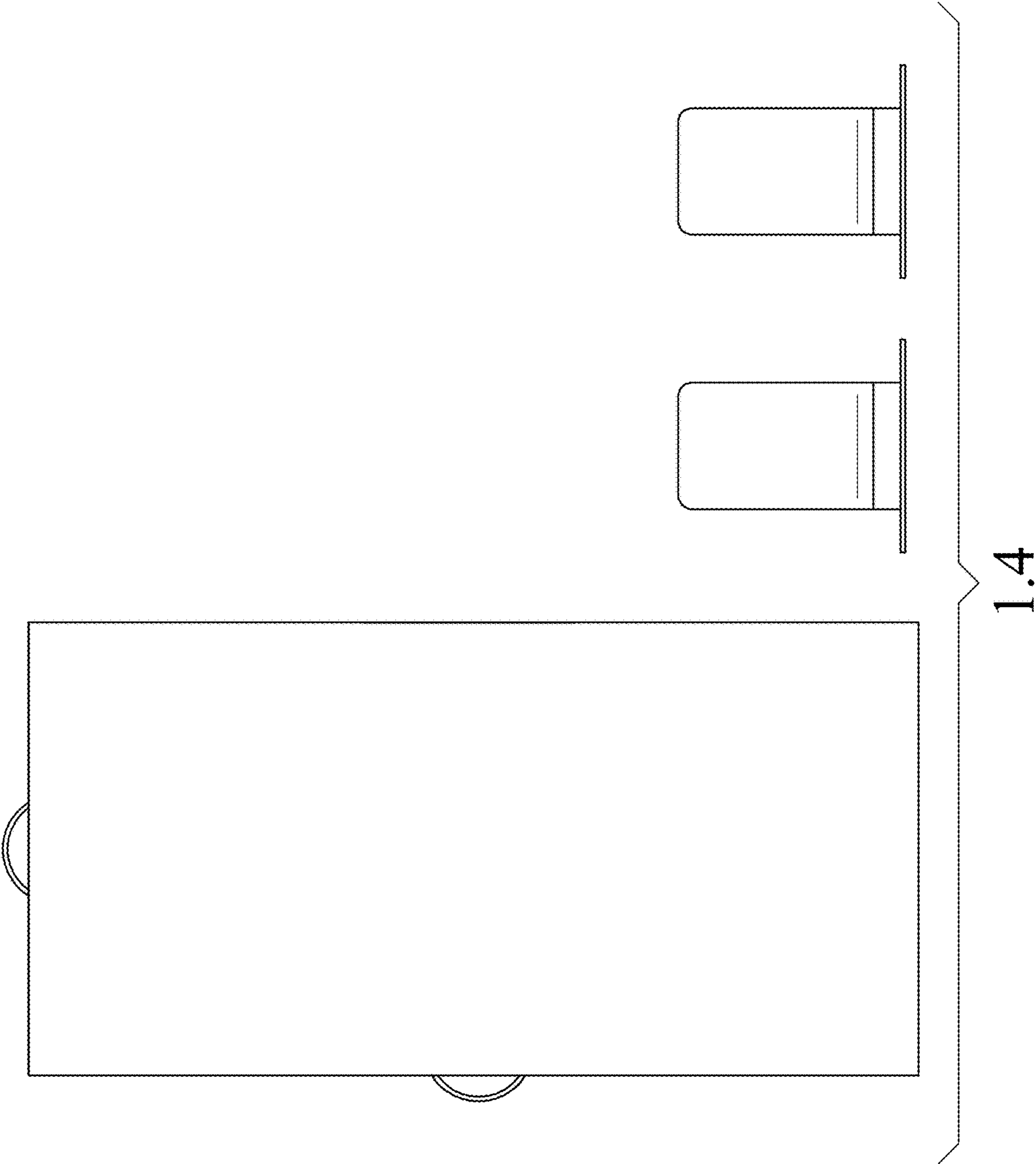
1.1

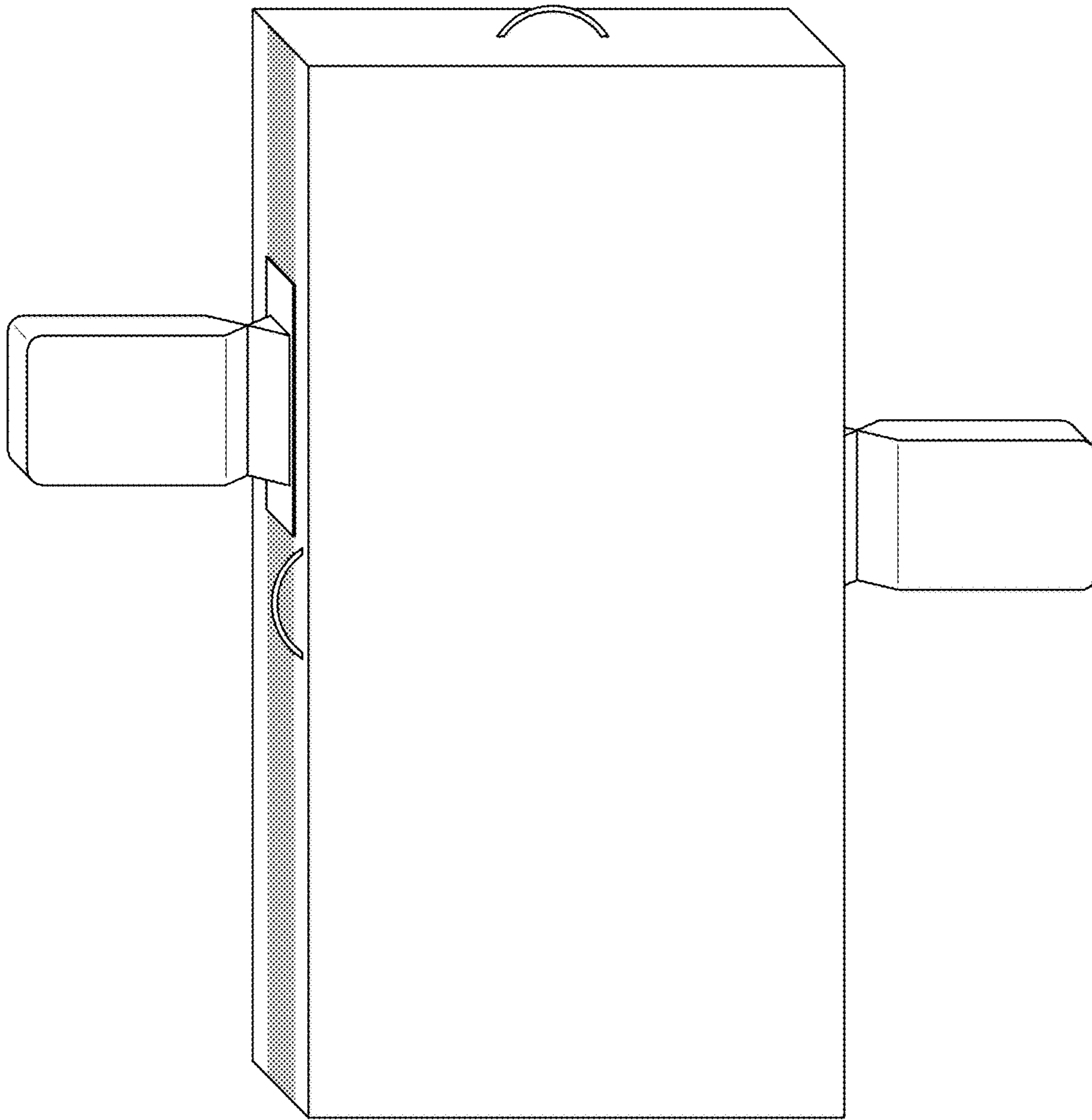


1.2

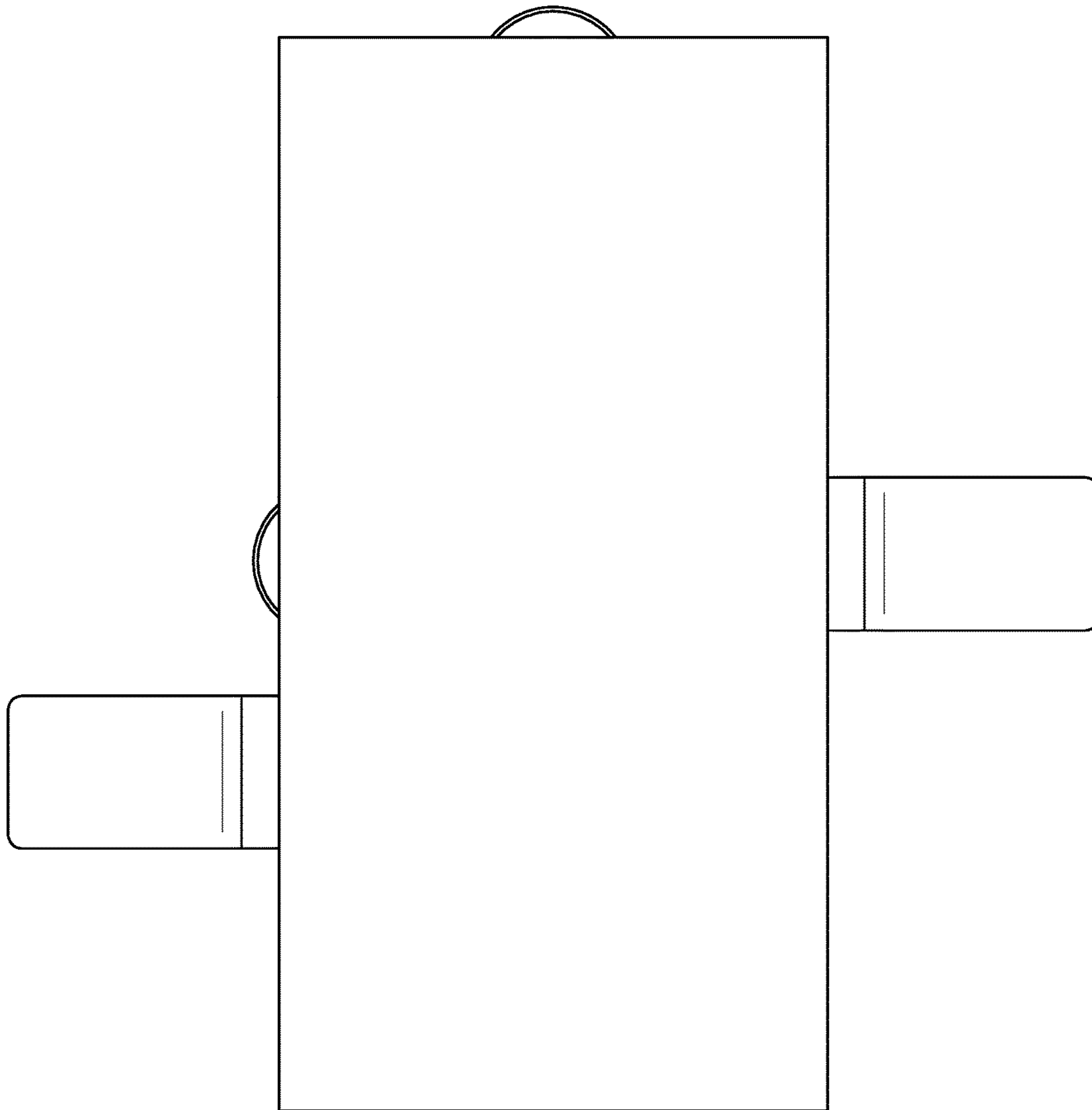


1.3

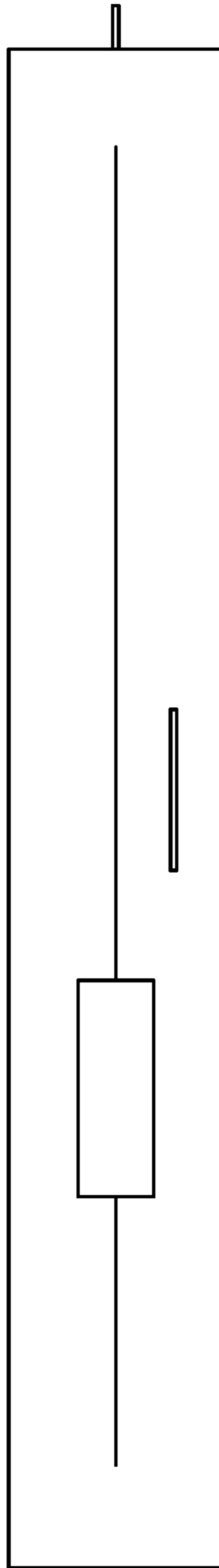




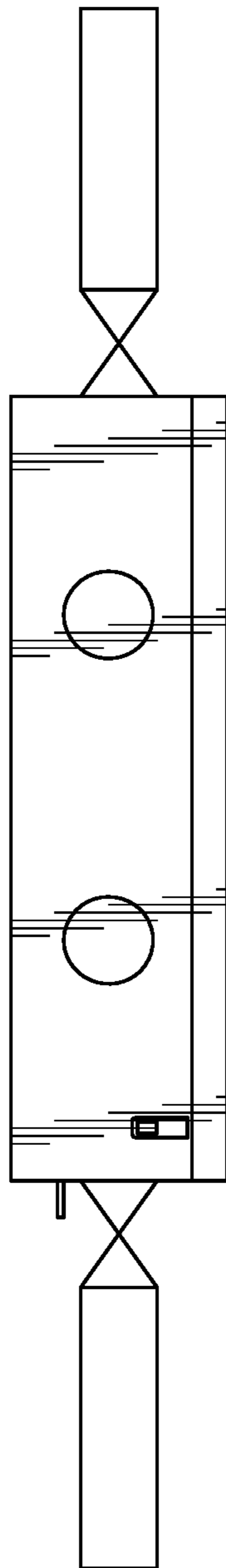
1.5



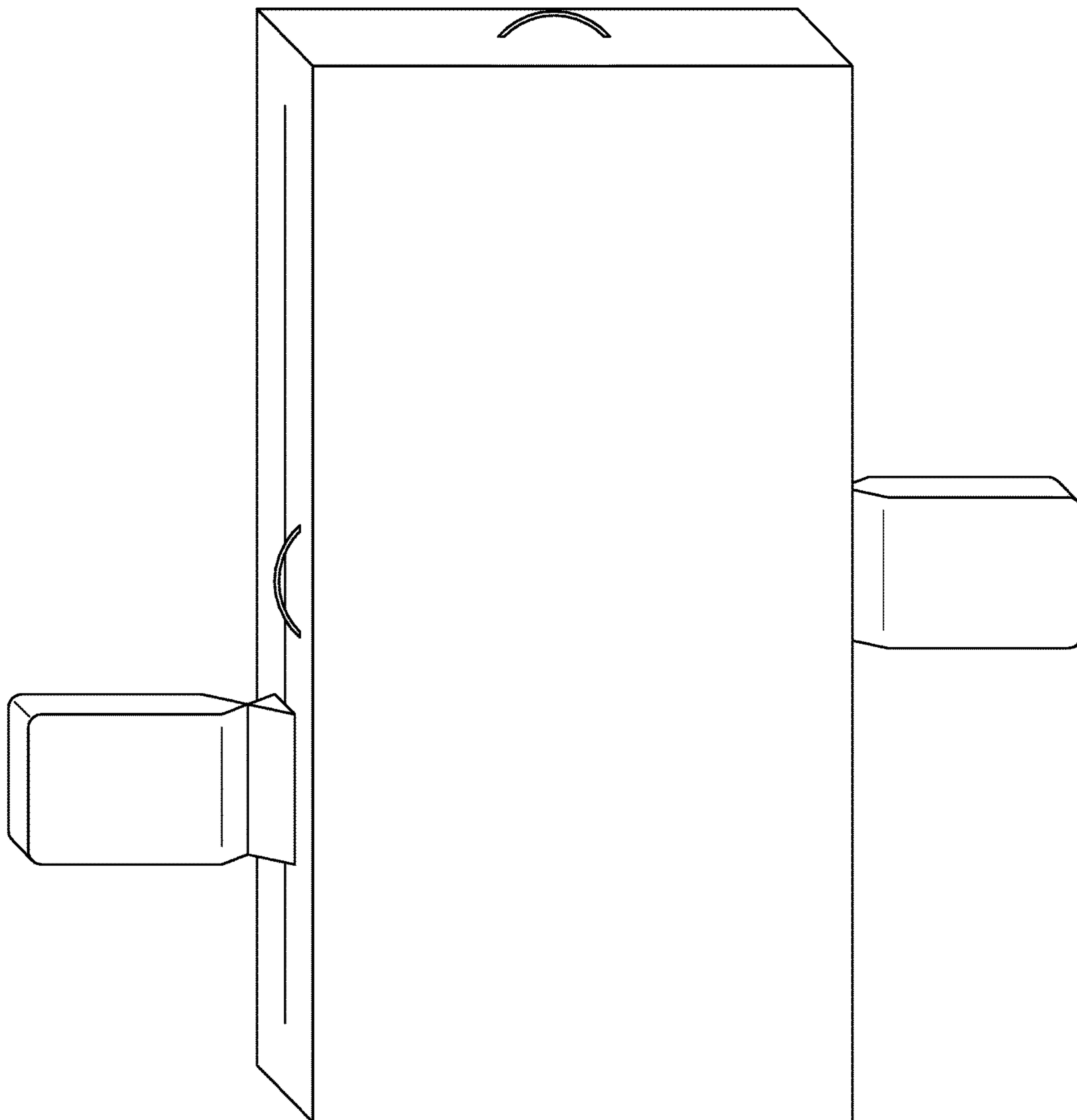
2.1



2.2



2.3



2.4

