



US00D813329S

(12) **United States Design Patent**
Tang et al.

(10) **Patent No.:** **US D813,329 S**

(45) **Date of Patent:** **** Mar. 20, 2018**

(54) **GOLF CLUB HEAD**

(71) Applicant: **Callaway Golf Company**, Carlsbad, CA (US)

(72) Inventors: **Larry Tang**, Carlsbad, CA (US);
Denver Holt, Carlsbad, CA (US)

(73) Assignee: **Callaway Golf Company**, Carlsbad, CA (US)

(**) Term: **15 Years**

(21) Appl. No.: **29/591,039**

(22) Filed: **Jan. 16, 2017**

Related U.S. Application Data

(63) Continuation-in-part of application No. 29/576,496, filed on Sep. 2, 2016, now Pat. No. Des. 801,465.

(51) **LOC (11) Cl.** **21-02**

(52) **U.S. Cl.**
USPC **D21/752**

(58) **Field of Classification Search**
USPC D21/733, 752, 759
CPC A63B 53/00; A63B 53/04; A63B 53/0466;
A63B 2053/002; A63B 2053/0445; A63B
2053/0433; A63B 2053/0491; A63B
2053/0437

See application file for complete search history.

(56) **References Cited**

U.S. PATENT DOCUMENTS

D565,684 S *	4/2008	Homma	D21/759
D631,111 S *	1/2011	Bennett	D21/752
D707,767 S *	6/2014	Song	D21/752
D725,729 S *	3/2015	Song	D21/752

D726,847 S *	4/2015	Song	D21/752
D726,848 S *	4/2015	Song	D21/752
D726,852 S *	4/2015	Song	D21/759
D726,853 S *	4/2015	Song	D21/759
D736,877 S *	8/2015	Foster	D21/759
D738,976 S *	9/2015	Kim	D21/759
D763,997 S *	8/2016	Tang	D21/759
D788,239 S *	5/2017	Kim	D21/759
D792,540 S *	7/2017	Kim	D21/759
D801,465 S *	10/2017	Tang	D21/759

* cited by examiner

Primary Examiner — Mitchell I. Siegel

(74) *Attorney, Agent, or Firm* — Rebecca Hanovice;
Michael Catania; Sonia Lari

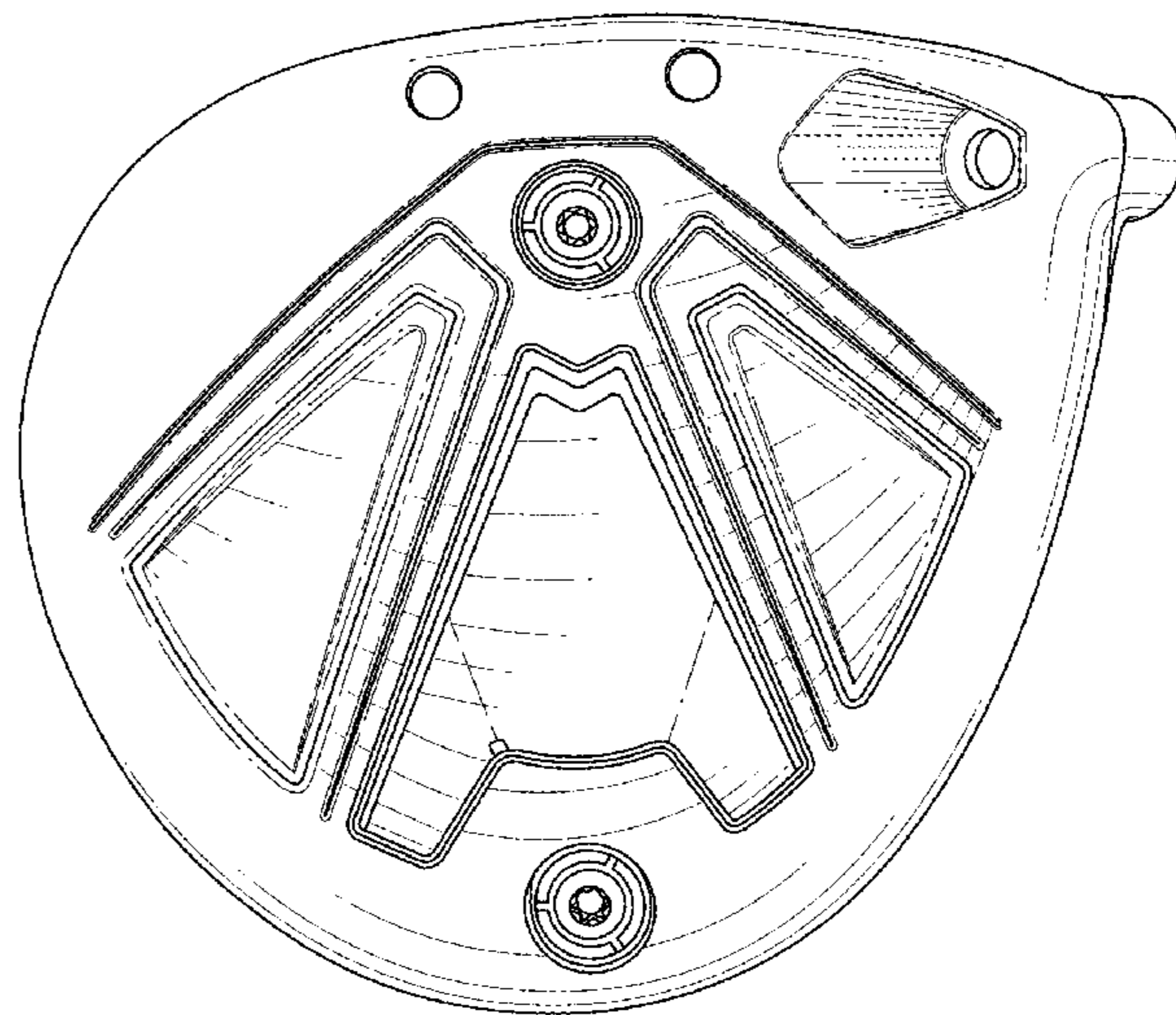
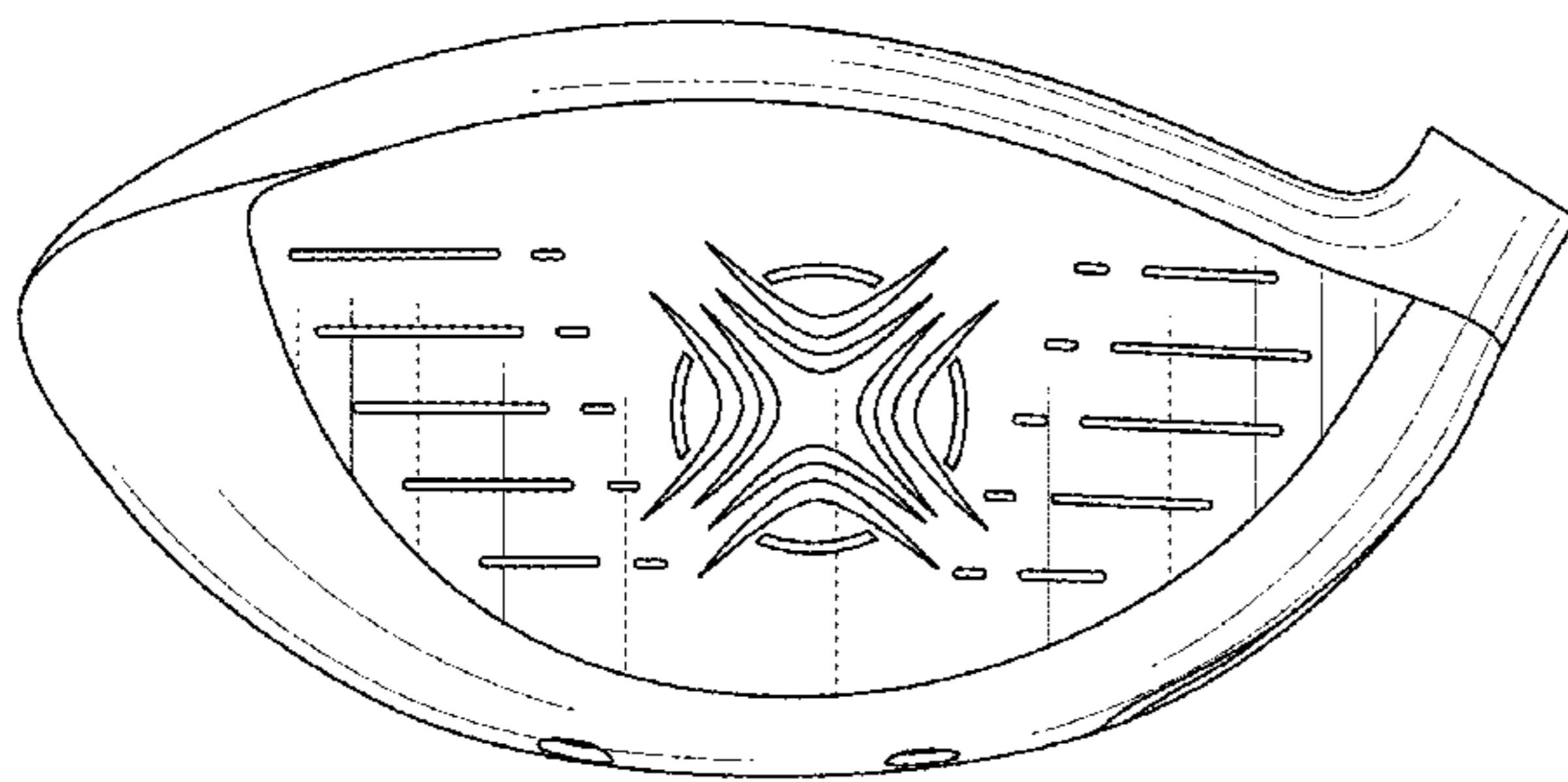
(57) **CLAIM**

The ornamental design for a golf club head, as shown and described.

DESCRIPTION

FIG. 1 is a rear perspective view of a first embodiment of the golf club head claimed herein;
 FIG. 2 is a front elevational view thereof;
 FIG. 3 is a rear elevational view thereof;
 FIG. 4 is a left side elevational view thereof;
 FIG. 5 is a right side elevational view thereof;
 FIG. 6 is a top plan view thereof;
 FIG. 7 is a bottom plan view thereof;
 FIG. 8 is a rear perspective view of a second embodiment of the golf club head claimed herein;
 FIG. 9 is a front elevational view of FIG. 8;
 FIG. 10 is a rear elevational view of FIG. 8;
 FIG. 11 is a left side view of FIG. 8;
 FIG. 12 is a right side view of FIG. 8;
 FIG. 13 is a top plan view of FIG. 8; and,
 FIG. 14 is a bottom plan view of FIG. 8.

1 Claim, 10 Drawing Sheets



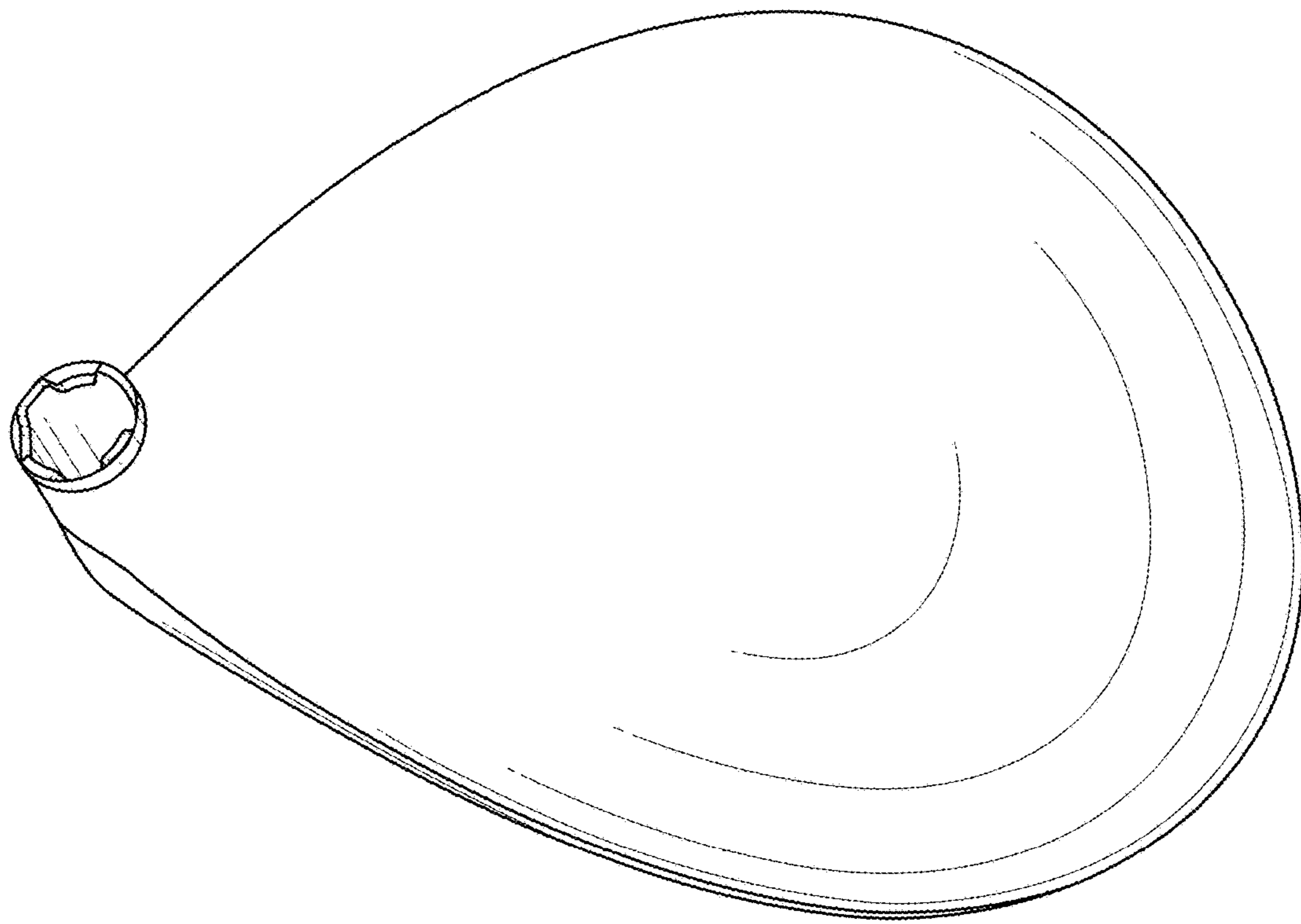


FIG. 1

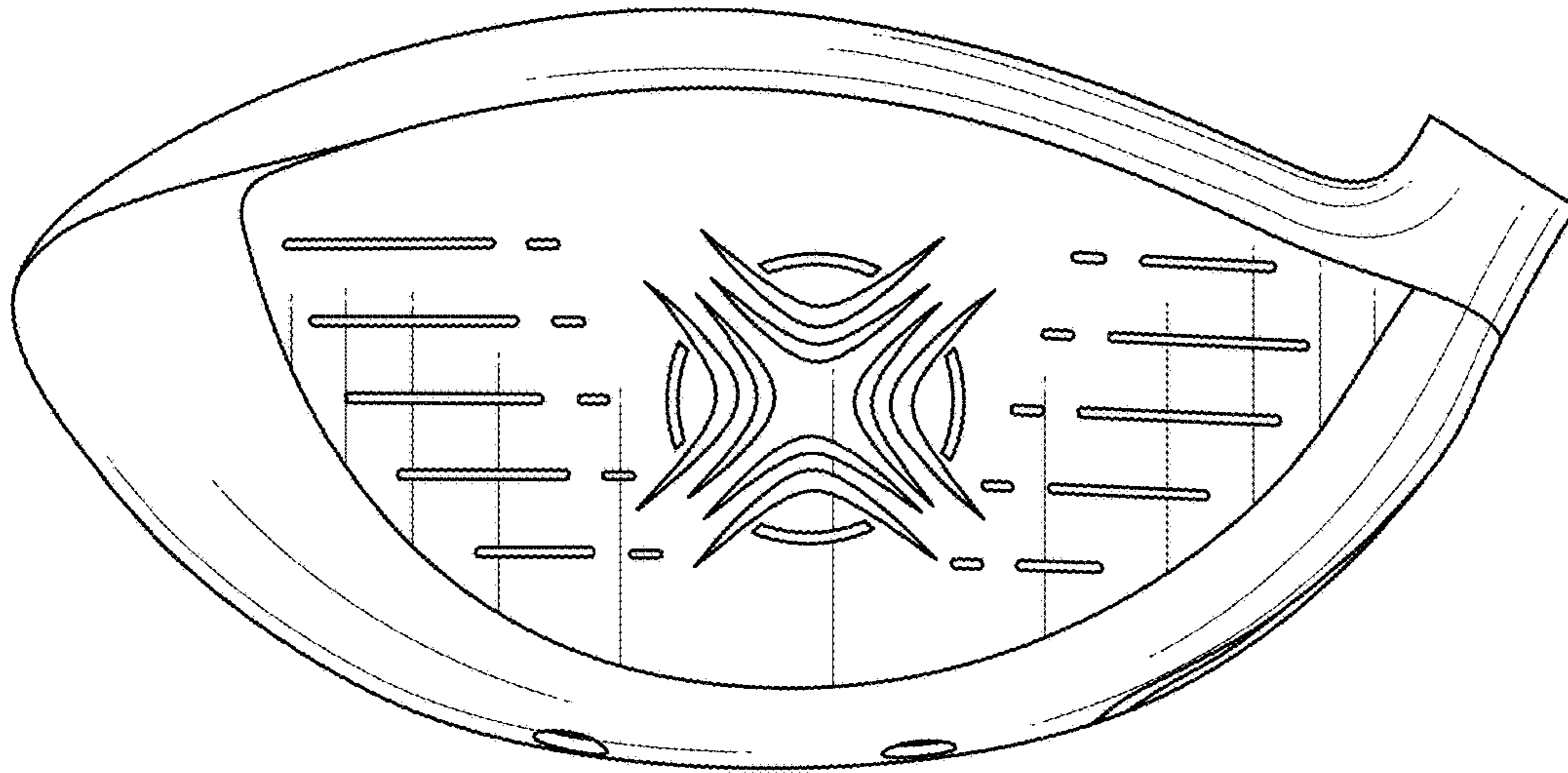


FIG. 2

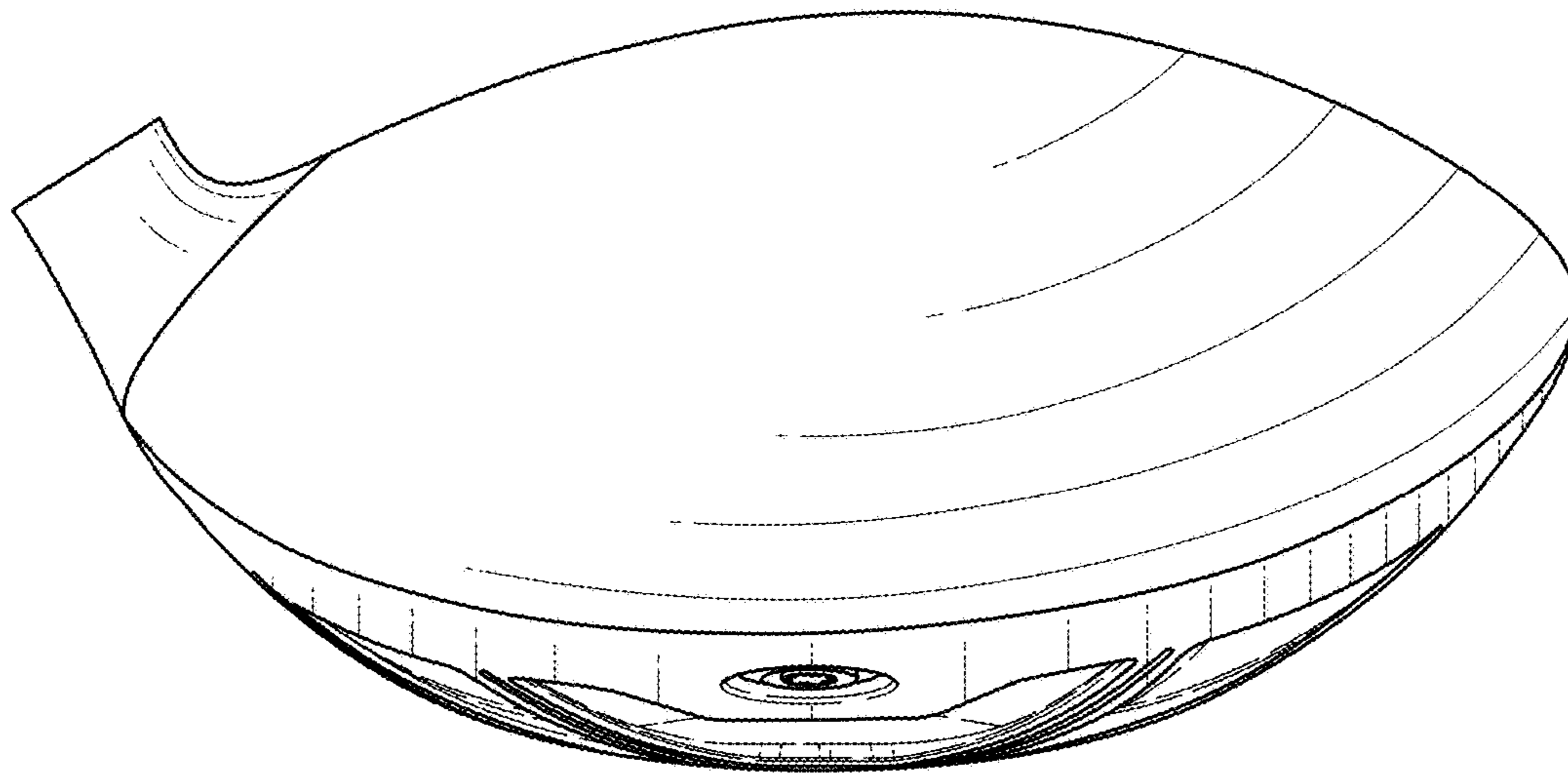


FIG. 3

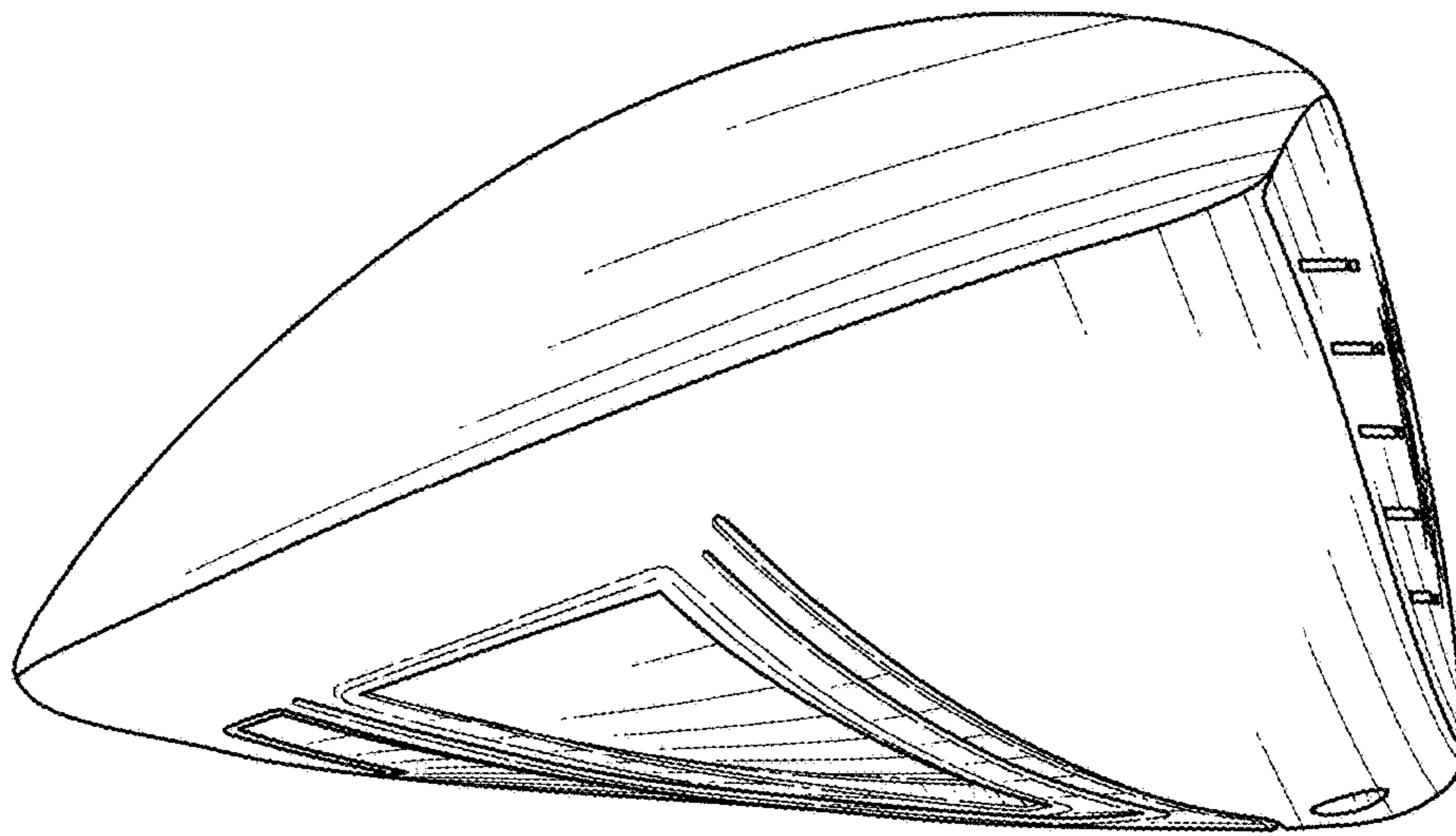


FIG. 4

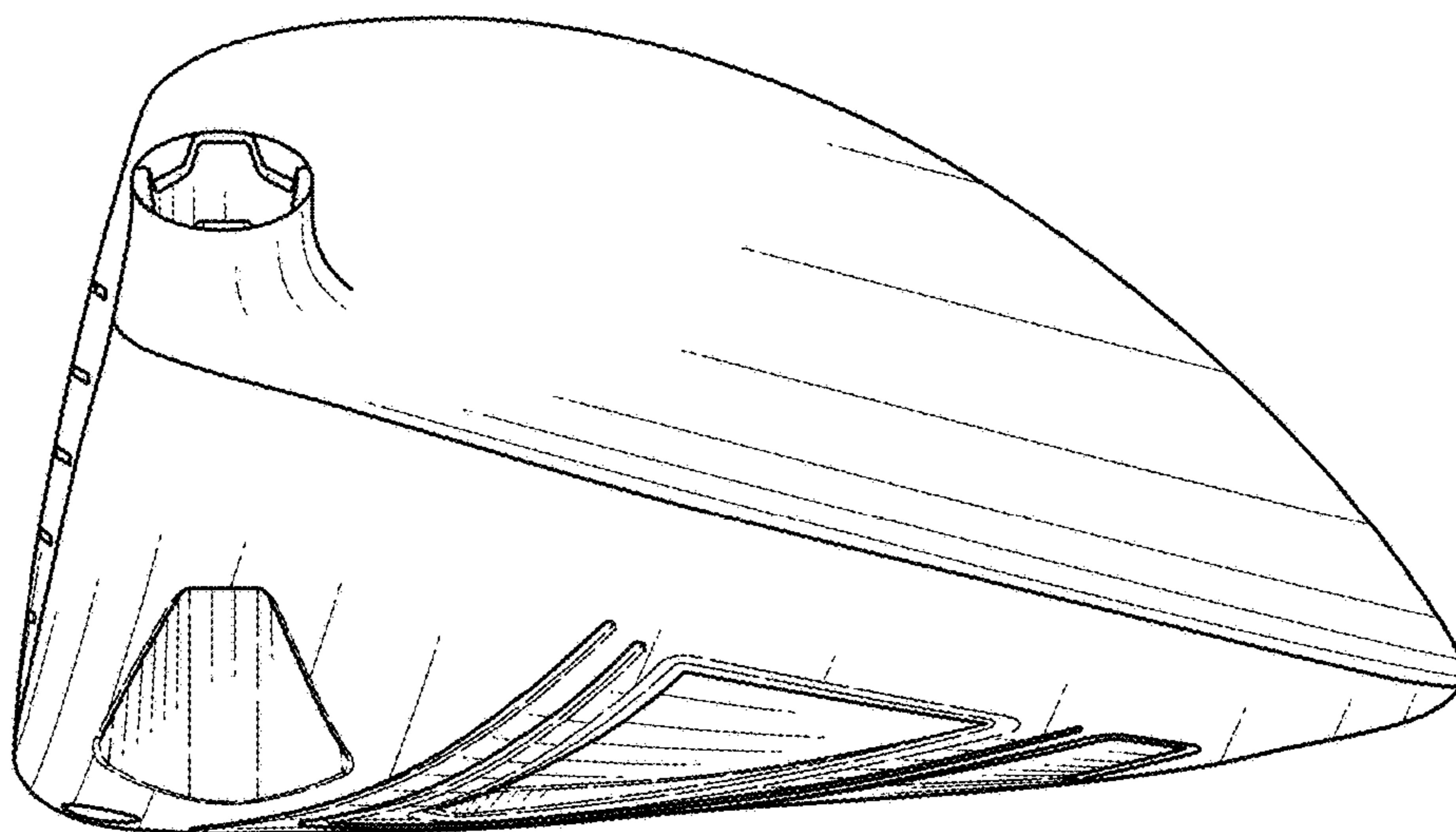


FIG. 5

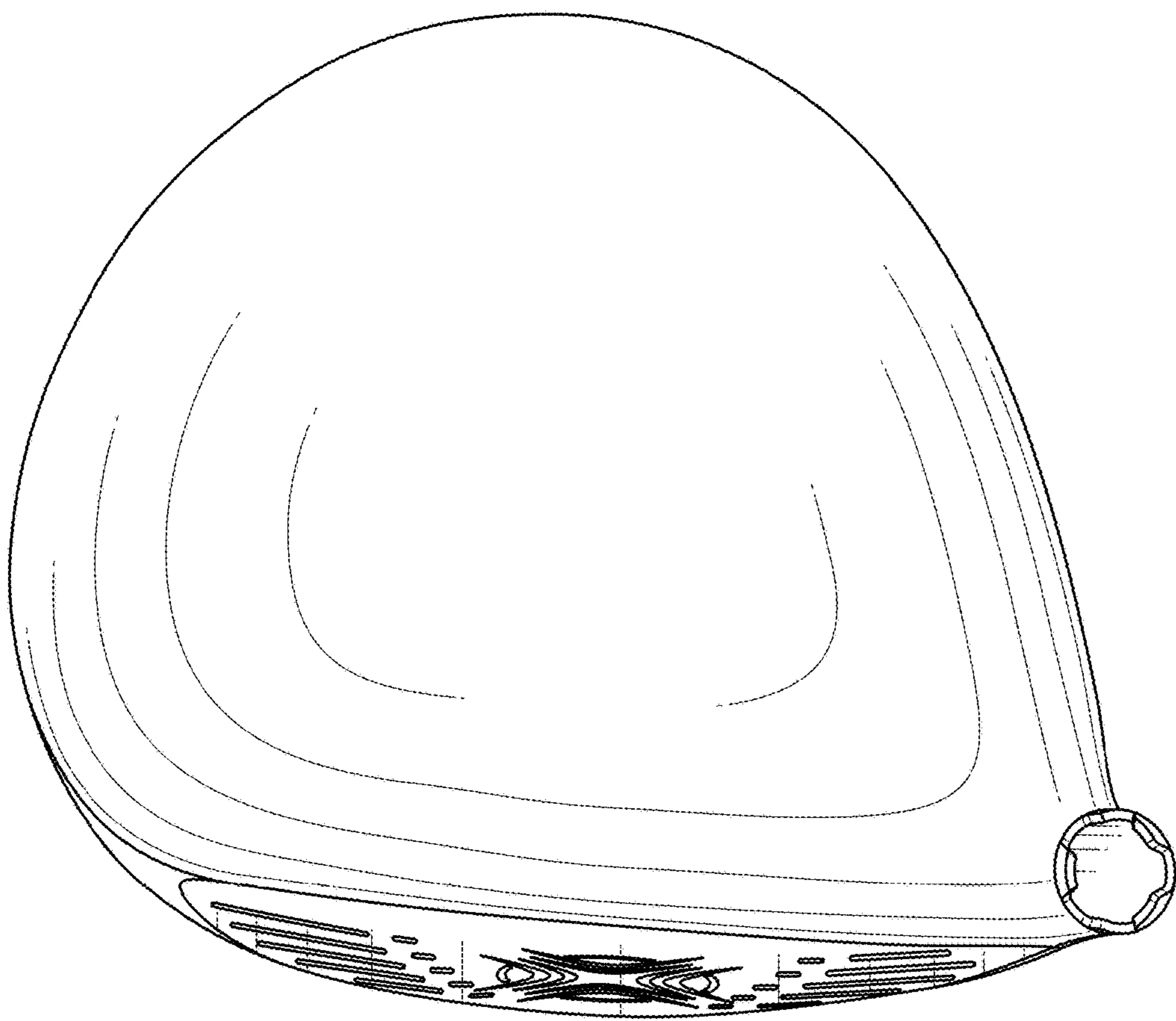


FIG. 6

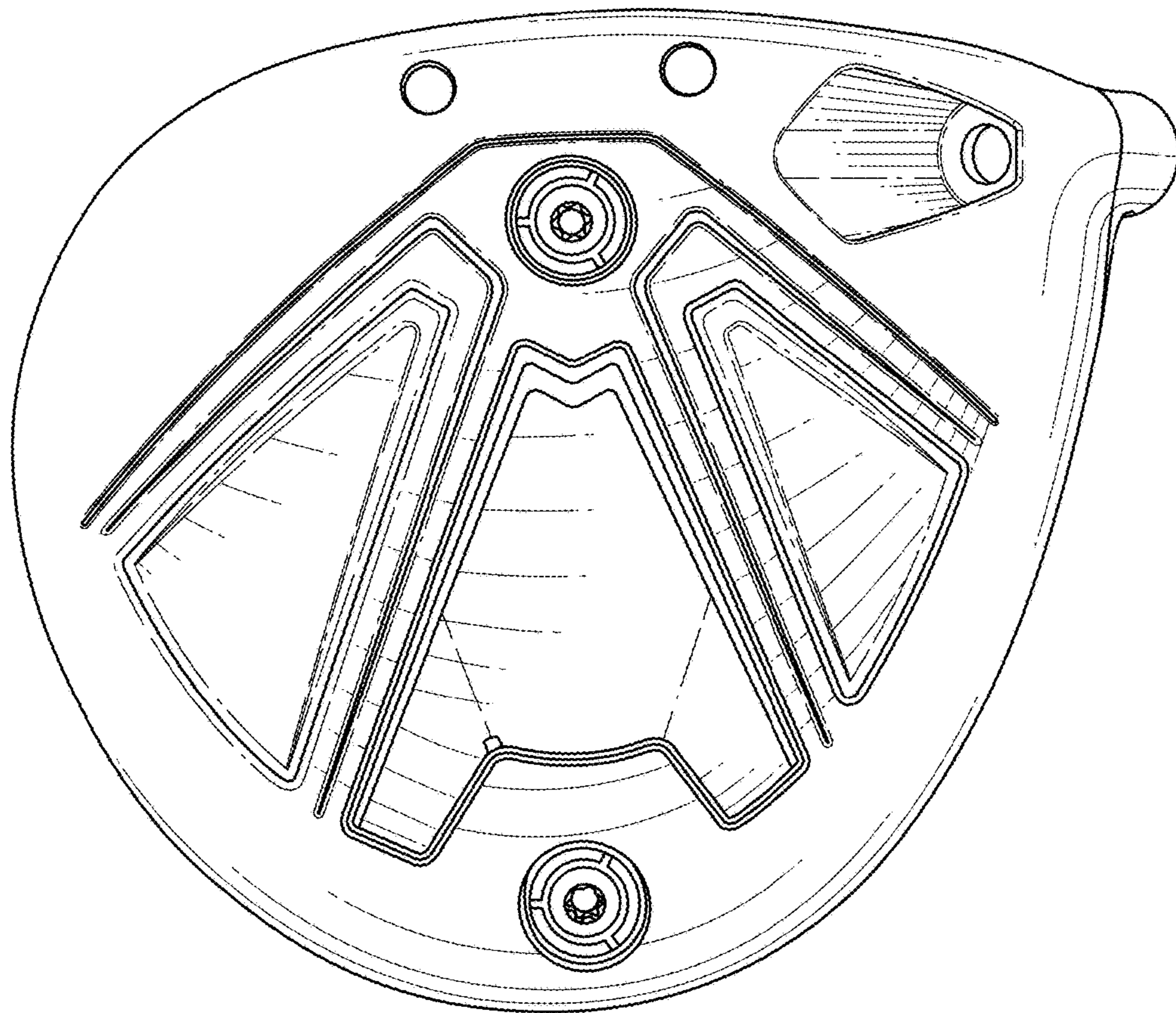


FIG. 7

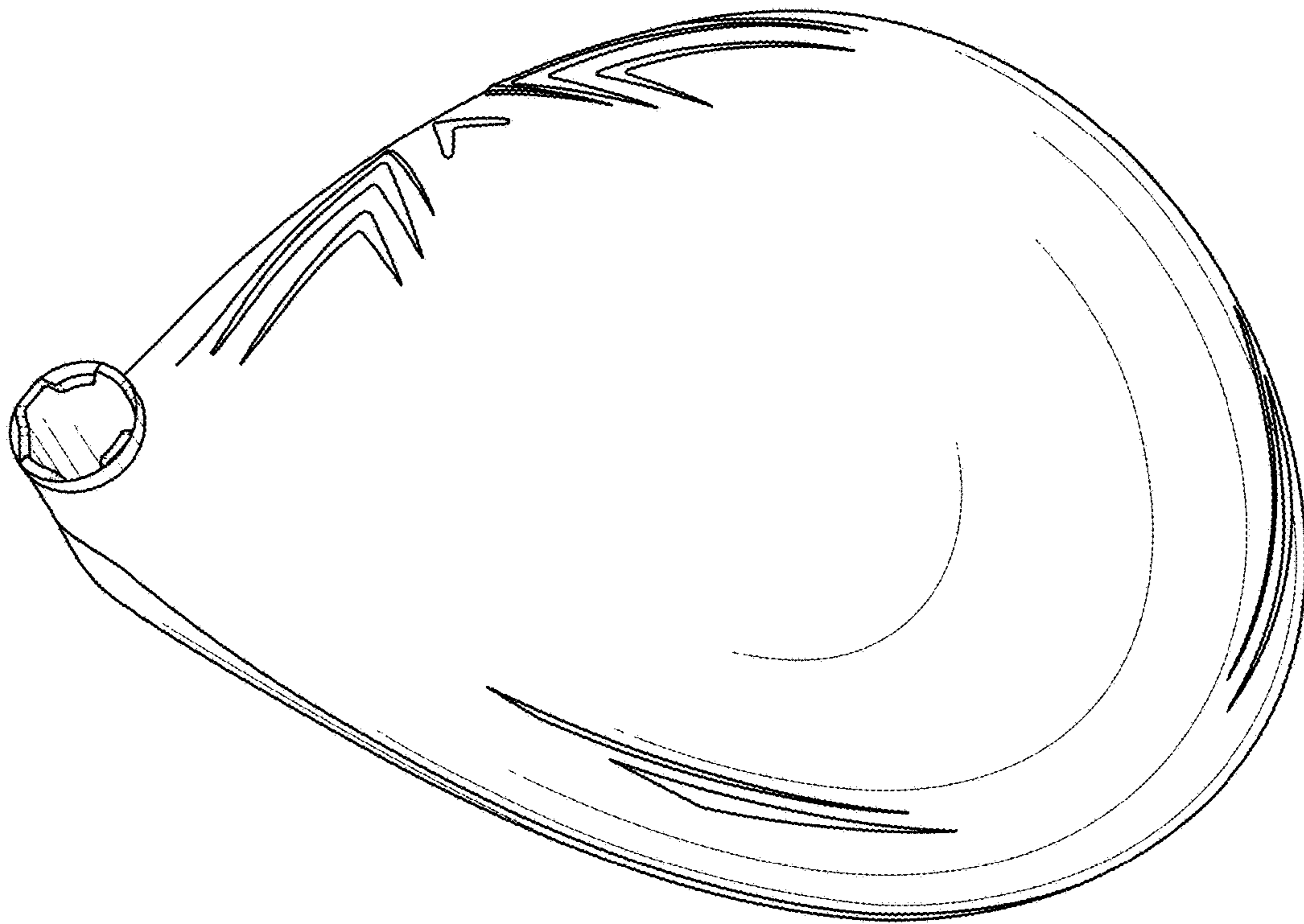


FIG. 8

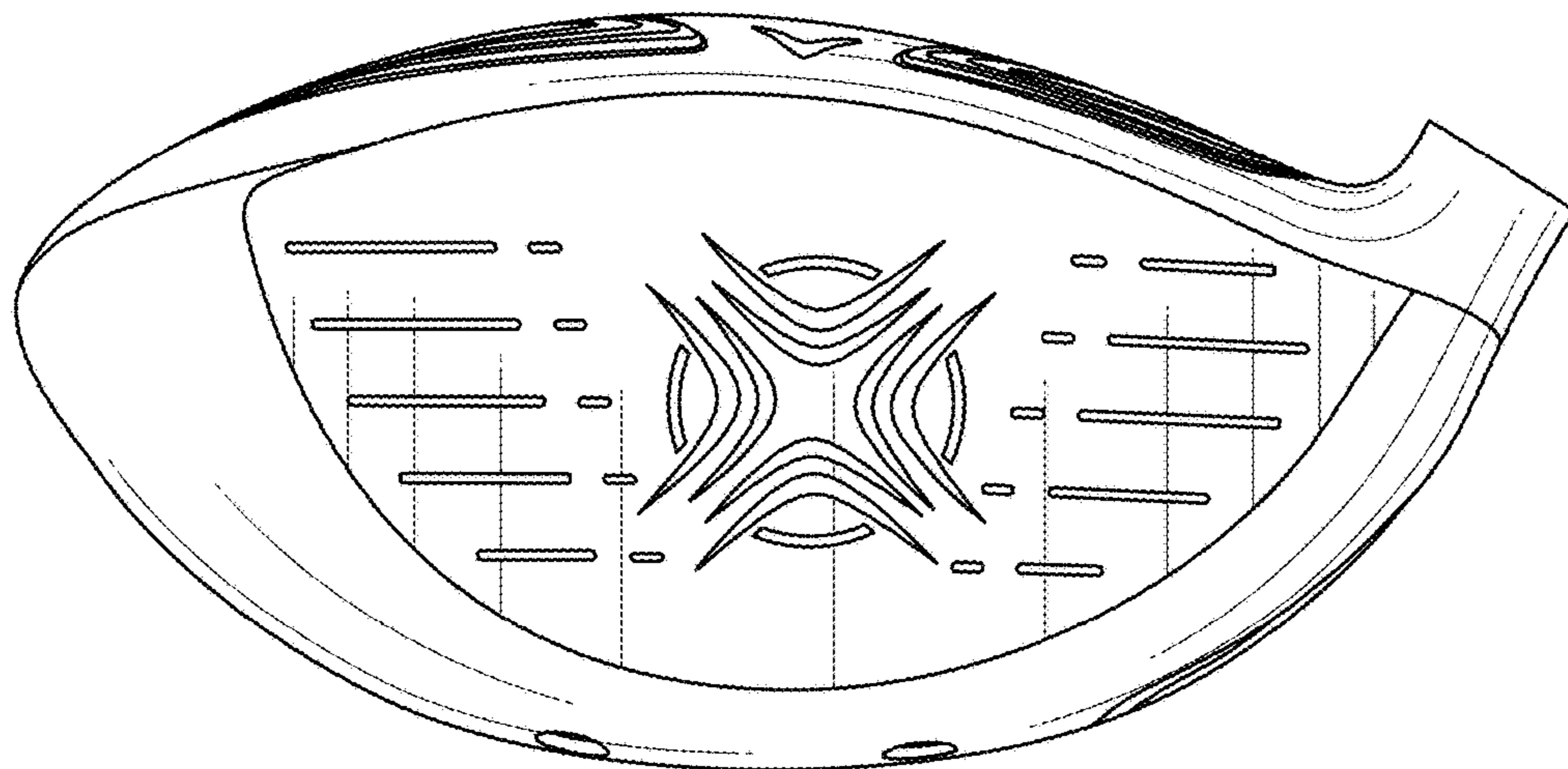


FIG. 9

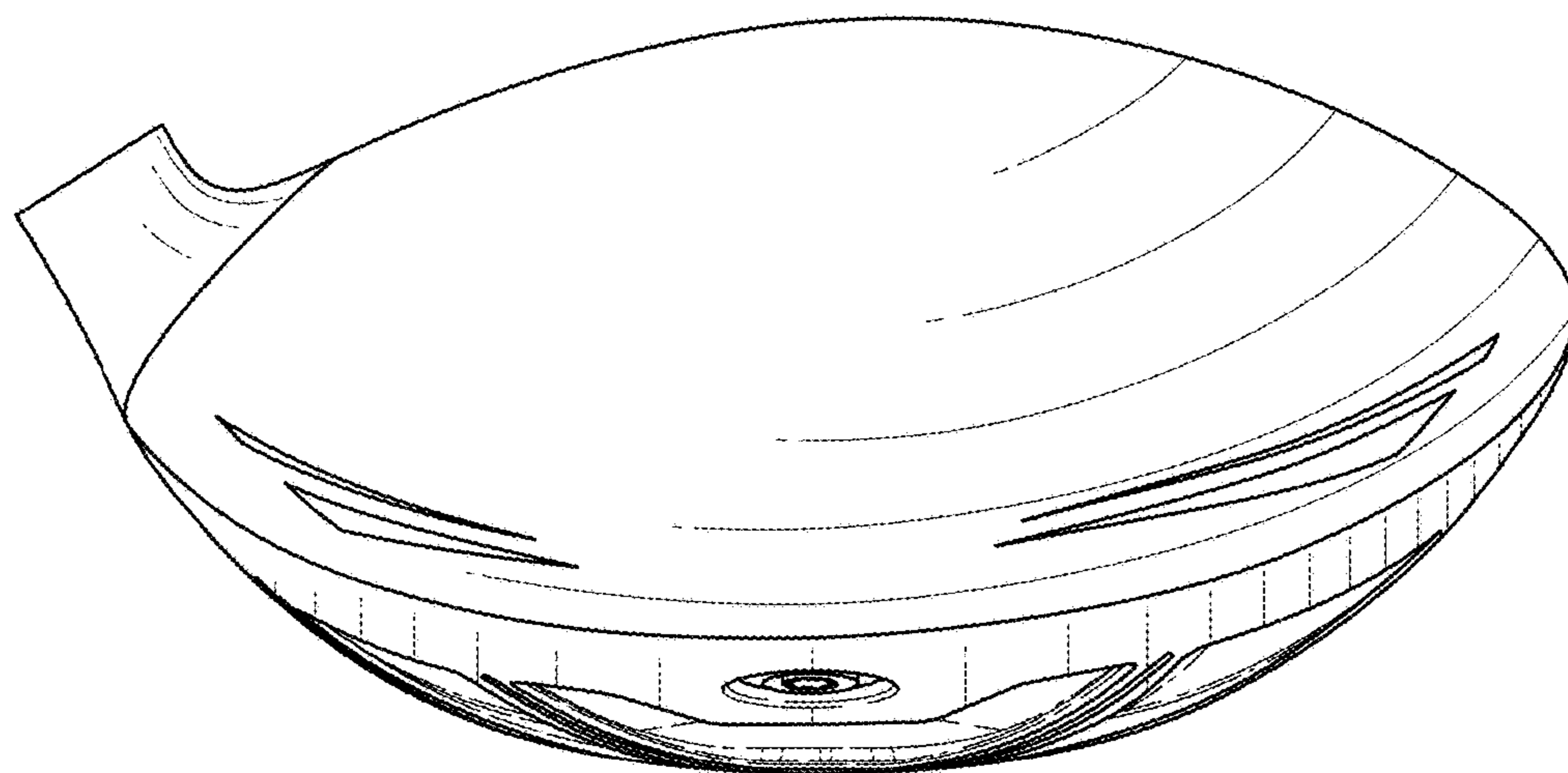


FIG. 10

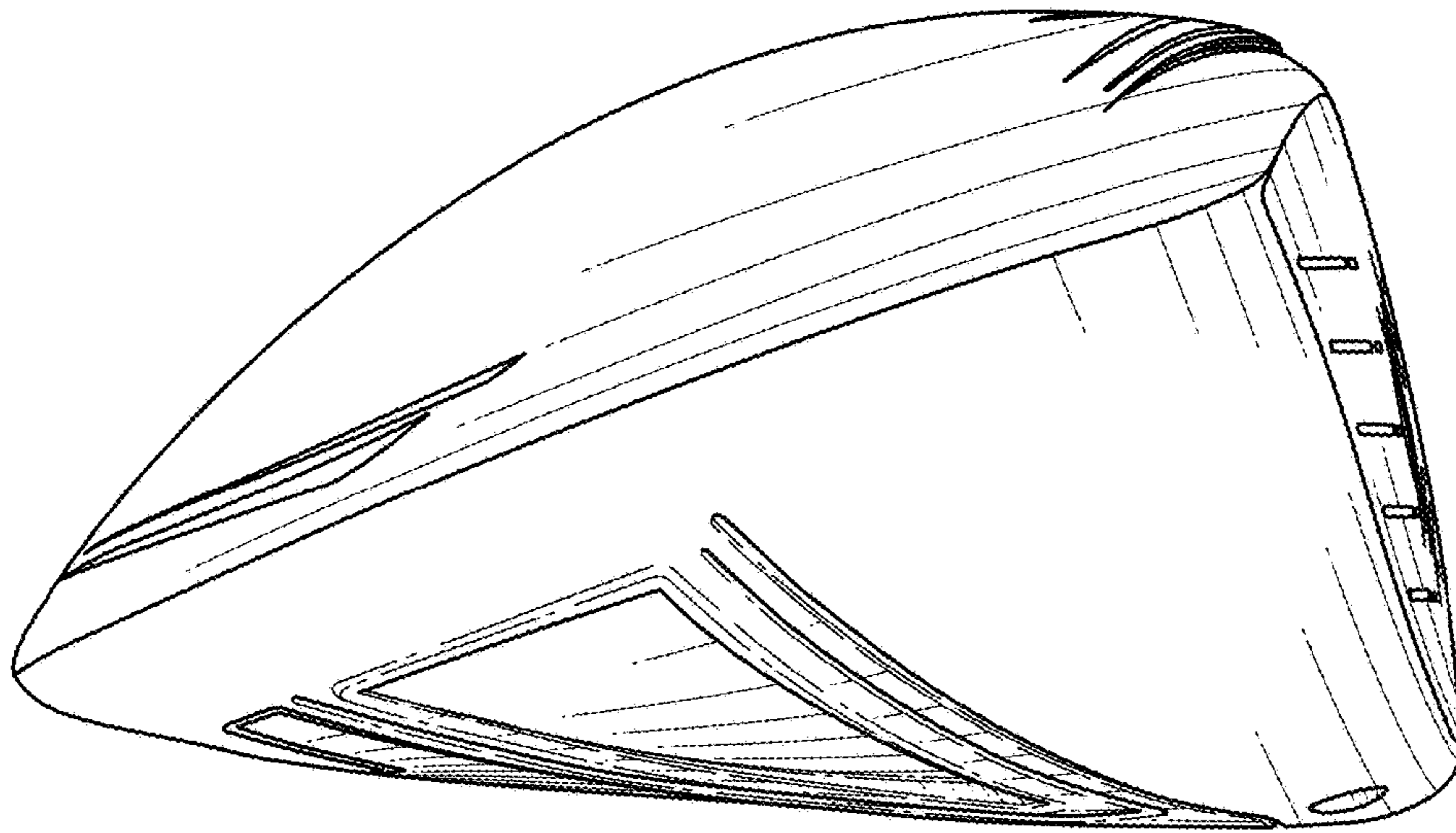


FIG. 11

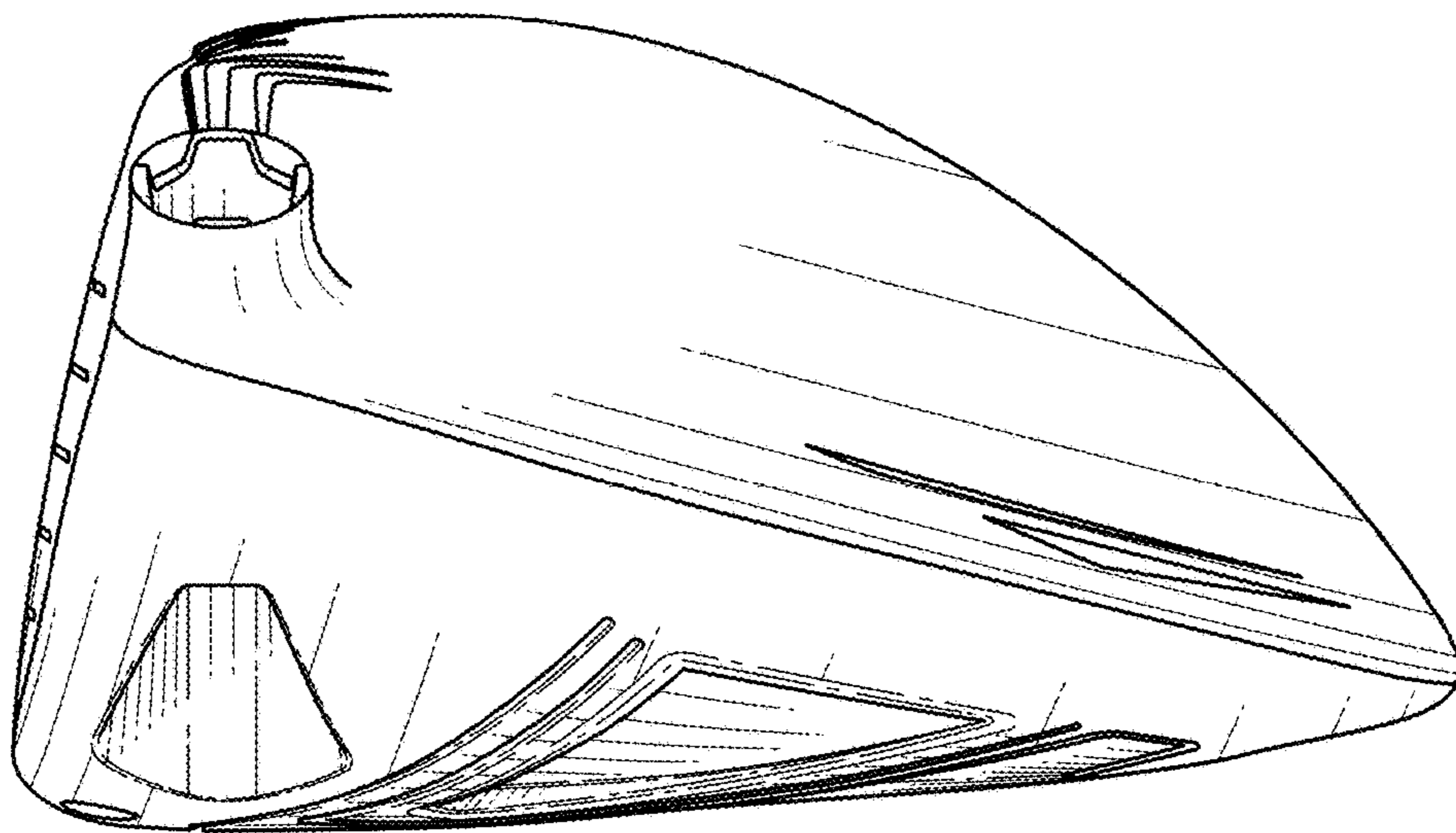


FIG. 12

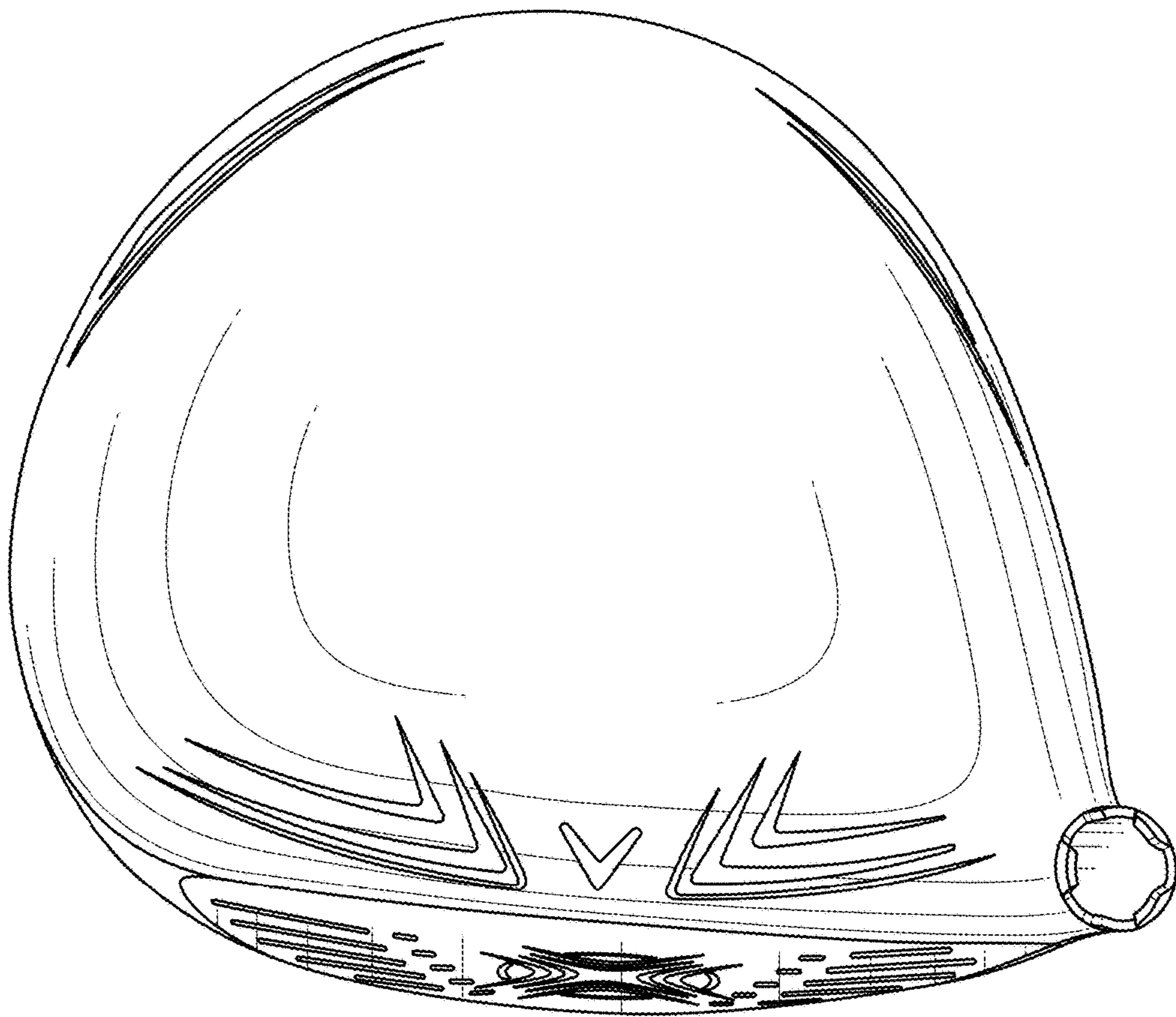


FIG. 13

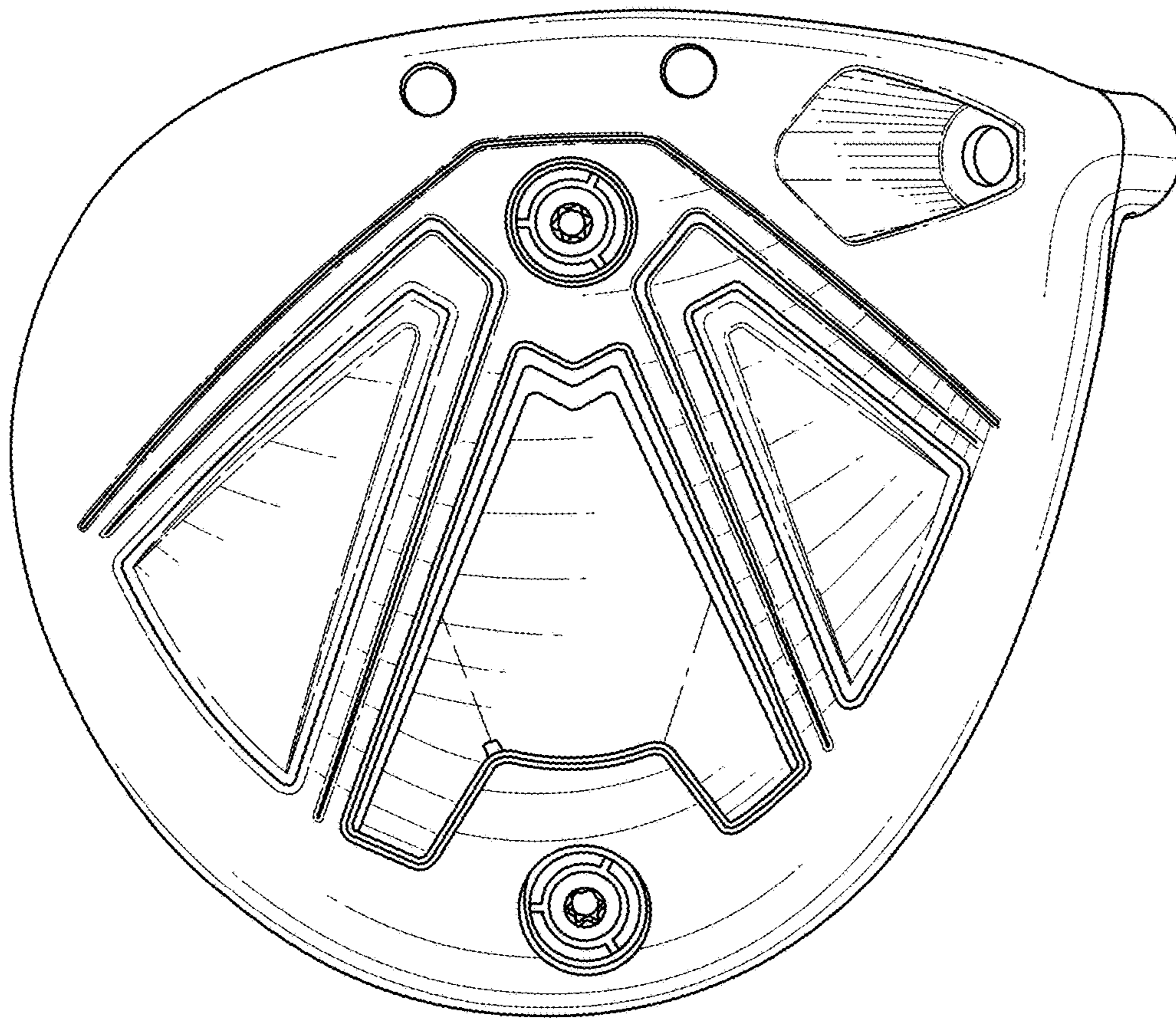


FIG. 14