



US00D813328S

(12) **United States Design Patent**
Tang et al.

(10) **Patent No.:** **US D813,328 S**
(45) **Date of Patent:** **** Mar. 20, 2018**

(54) **GOLF CLUB HEAD**

(71) Applicant: **Callaway Golf Company**, Carlsbad, CA (US)

(72) Inventors: **Larry Tang**, Carlsbad, CA (US);
Michael Hallack, Carlsbad, CA (US)

(73) Assignee: **Callaway Golf Company**, Carlsbad, CA (US)

(**) Term: **15 Years**

(21) Appl. No.: **29/591,023**

(22) Filed: **Jan. 16, 2017**

Related U.S. Application Data

(63) Continuation-in-part of application No. 29/576,484, filed on Sep. 2, 2016, now Pat. No. Des. 806,192.

(51) **LOC (11) Cl.** **21-02**

(52) **U.S. Cl.**
USPC **D21/752**

(58) **Field of Classification Search**
USPC D21/733, 752, 759
CPC A63B 53/00; A63B 53/04; A63B 53/0466;
A63B 2053/002; A63B 2053/0445; A63B
2053/0433; A63B 2053/0491; A63B
2053/0437

See application file for complete search history.

(56) **References Cited**

U.S. PATENT DOCUMENTS

D410,057 S *	5/1999	Ortiz	D21/752
D553,210 S *	10/2007	Harvell	D21/752
D553,211 S *	10/2007	Harvell	D21/752
D553,217 S *	10/2007	Harvell	D21/759
D565,684 S *	4/2008	Homma	D21/759
7,452,286 B2 *	11/2008	Lin	A63B 53/0466 473/334
D594,520 S *	6/2009	Schweigert	D21/759

D618,753 S *	6/2010	Jertson	D21/759
D631,111 S *	1/2011	Bennett	D21/752
8,016,694 B2 *	9/2011	Llewellyn	A63B 53/0466 473/334
D656,211 S *	3/2012	Foster	D21/752
D661,754 S *	6/2012	Cameron	D21/759
8,257,196 B1 *	9/2012	Abbott	A63B 53/0466 473/335
8,696,491 B1 *	4/2014	Myers	A63B 53/06 473/334
D707,771 S *	6/2014	Cameron	D21/759
D714,894 S *	10/2014	Tang	D21/759
D726,847 S *	4/2015	Song	D21/752

(Continued)

Primary Examiner — Mitchell I. Siegel

(74) *Attorney, Agent, or Firm* — Rebecca Hanovice;
Michael Catania; Sonia Lari

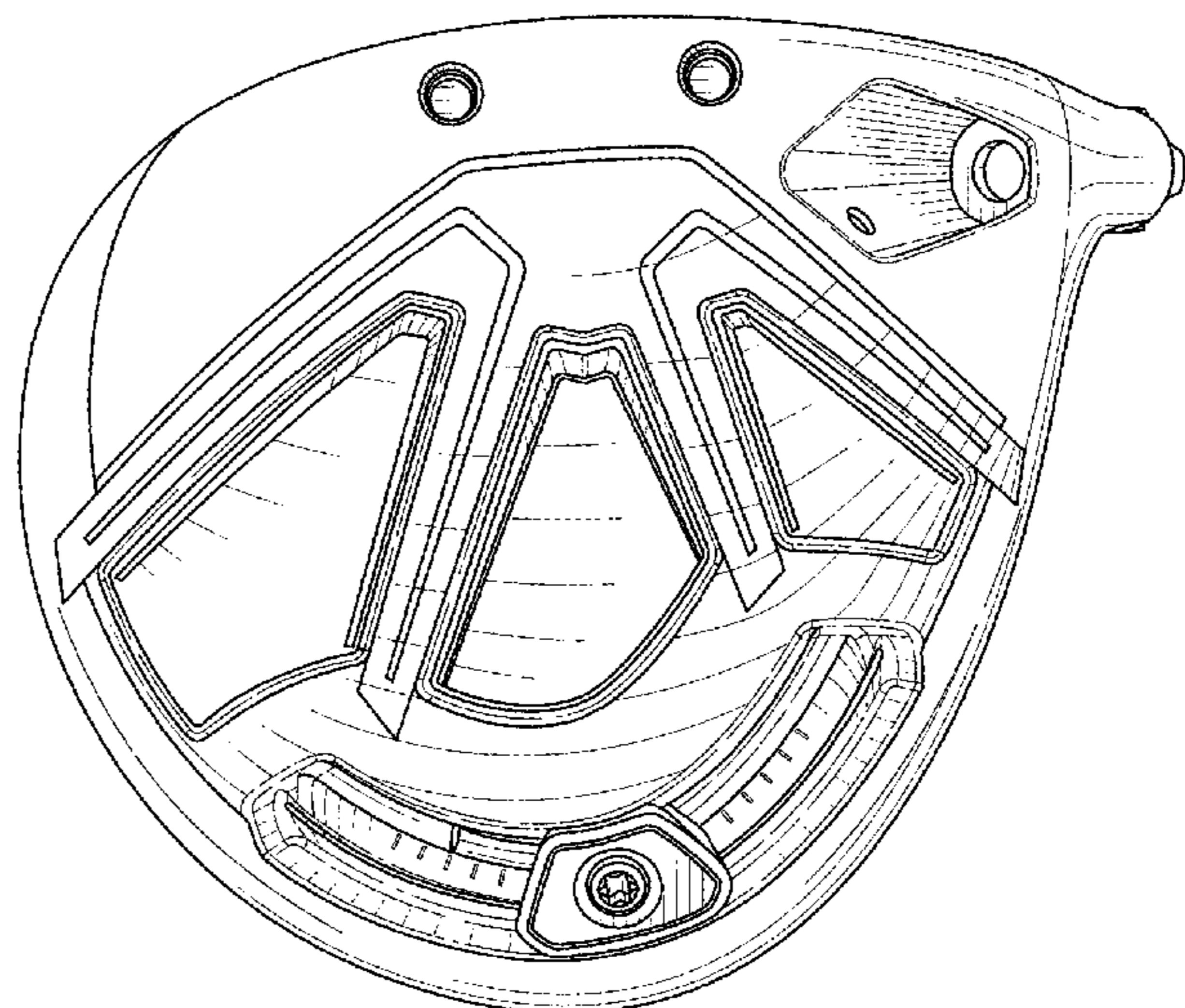
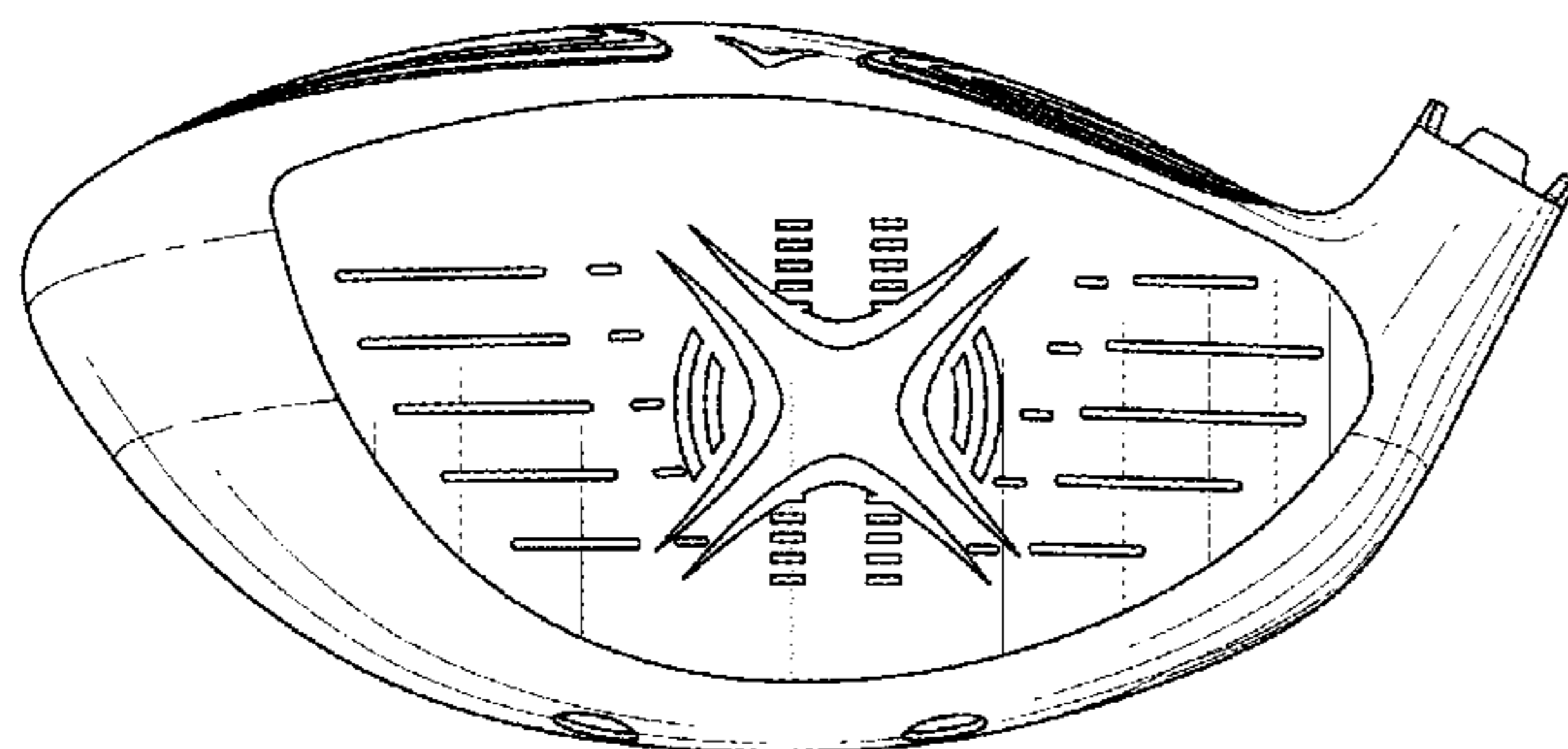
(57) **CLAIM**

The ornamental design for a golf club head, as shown and described.

DESCRIPTION

FIG. 1 is a rear perspective view of a first embodiment of the golf club head claimed herein;
 FIG. 2 is a front elevational view thereof;
 FIG. 3 is a rear elevational view thereof;
 FIG. 4 is a left side elevational view thereof;
 FIG. 5 is a right side elevational view thereof;
 FIG. 6 is a top plan view thereof;
 FIG. 7 is a bottom plan view thereof;
 FIG. 8 is a rear perspective view of a second embodiment of the golf club head claimed herein;
 FIG. 9 is a front elevational view of FIG. 8;
 FIG. 10 is a rear elevational view of FIG. 8;
 FIG. 11 is a left side view of FIG. 8;
 FIG. 12 is a right side view of FIG. 8;
 FIG. 13 is a top plan view of FIG. 8; and,
 FIG. 14 is a bottom plan view of FIG. 8.

1 Claim, 8 Drawing Sheets



(56)

References Cited

U.S. PATENT DOCUMENTS

D726,852	S *	4/2015	Song	D21/759
D726,853	S *	4/2015	Song	D21/759
D730,465	S *	5/2015	Cameron	D21/759
D736,877	S *	8/2015	Foster	D21/759
D762,274	S *	7/2016	Cardani	D21/759
D763,382	S *	8/2016	Cardani	D21/759
D763,995	S *	8/2016	Kim	D21/759
D763,996	S *	8/2016	Kim	D21/759
D763,997	S *	8/2016	Tang	D21/759
D763,998	S *	8/2016	Tang	D21/759
D764,611	S *	8/2016	Cardani	D21/759
D765,198	S *	8/2016	Cardani	D21/759
D791,258	S *	7/2017	Tang	D21/759
D792,540	S *	7/2017	Kim	D21/759
D806,192	S *	12/2017	Tang	D21/759
2006/0122004	A1 *	6/2006	Chen	A63B 53/0466 473/335
2006/0172821	A1 *	8/2006	Evans	A63B 53/0466 473/349
2008/0020861	A1 *	1/2008	Adams	A63B 53/04 473/334

* cited by examiner

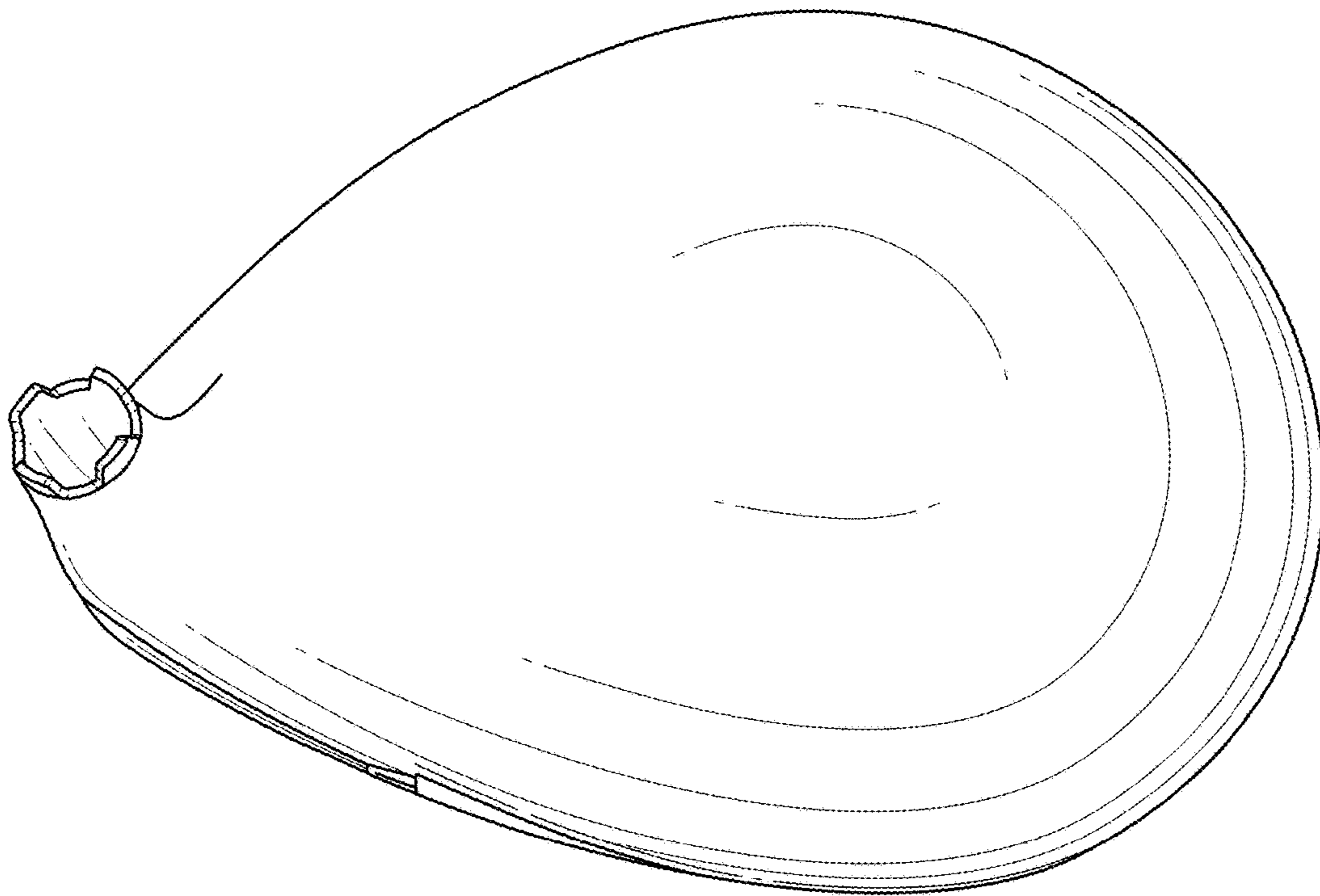


FIG. 1

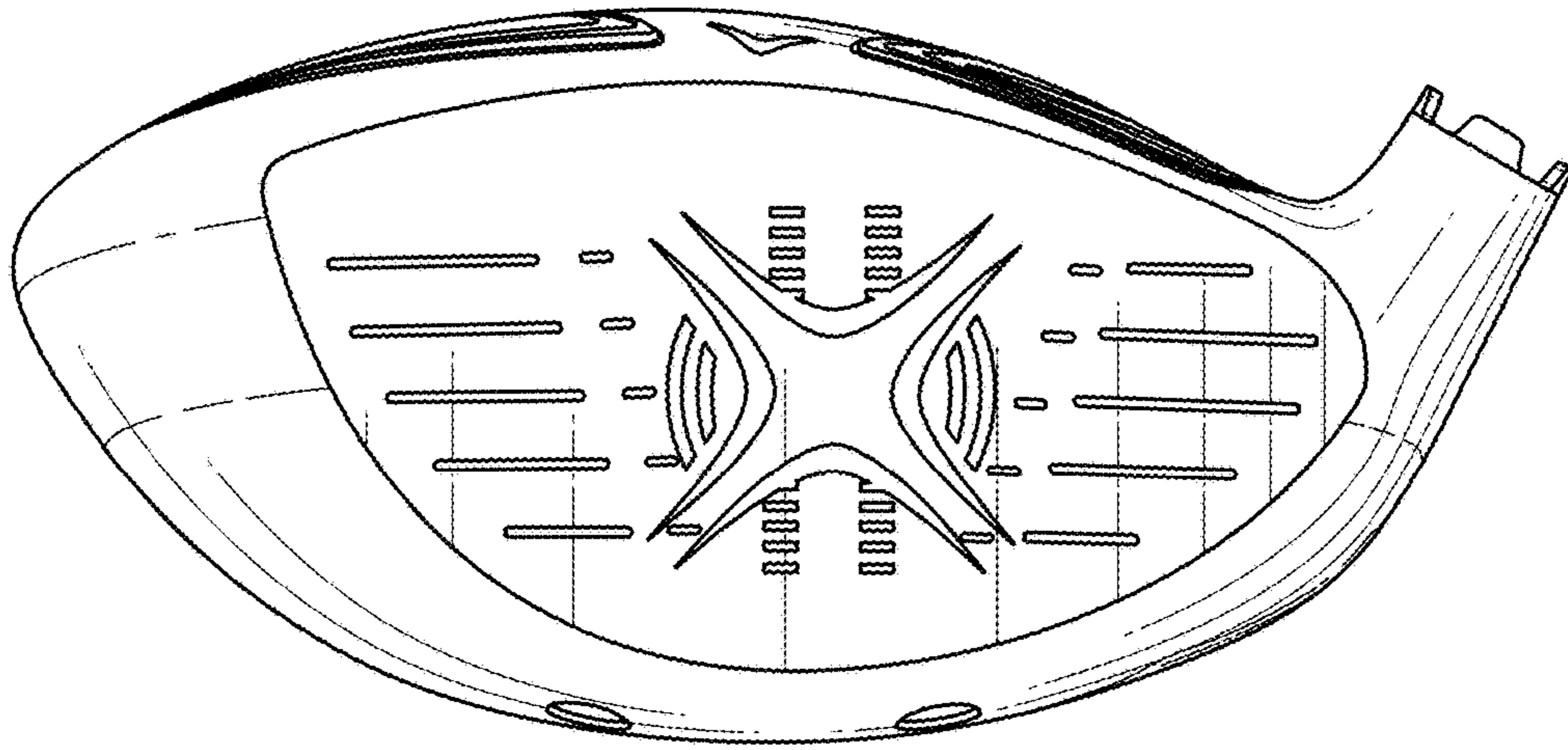


FIG. 2

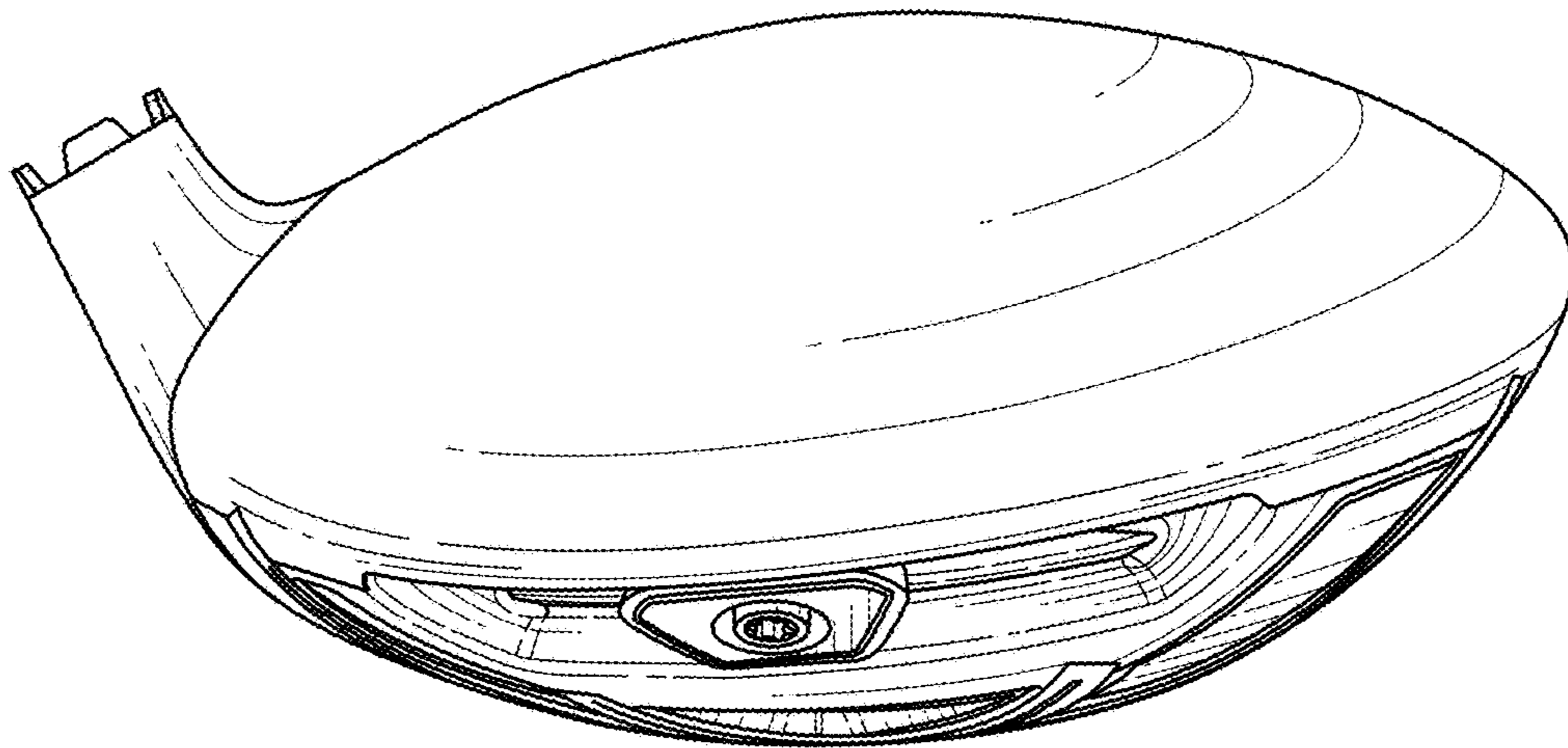


FIG. 3

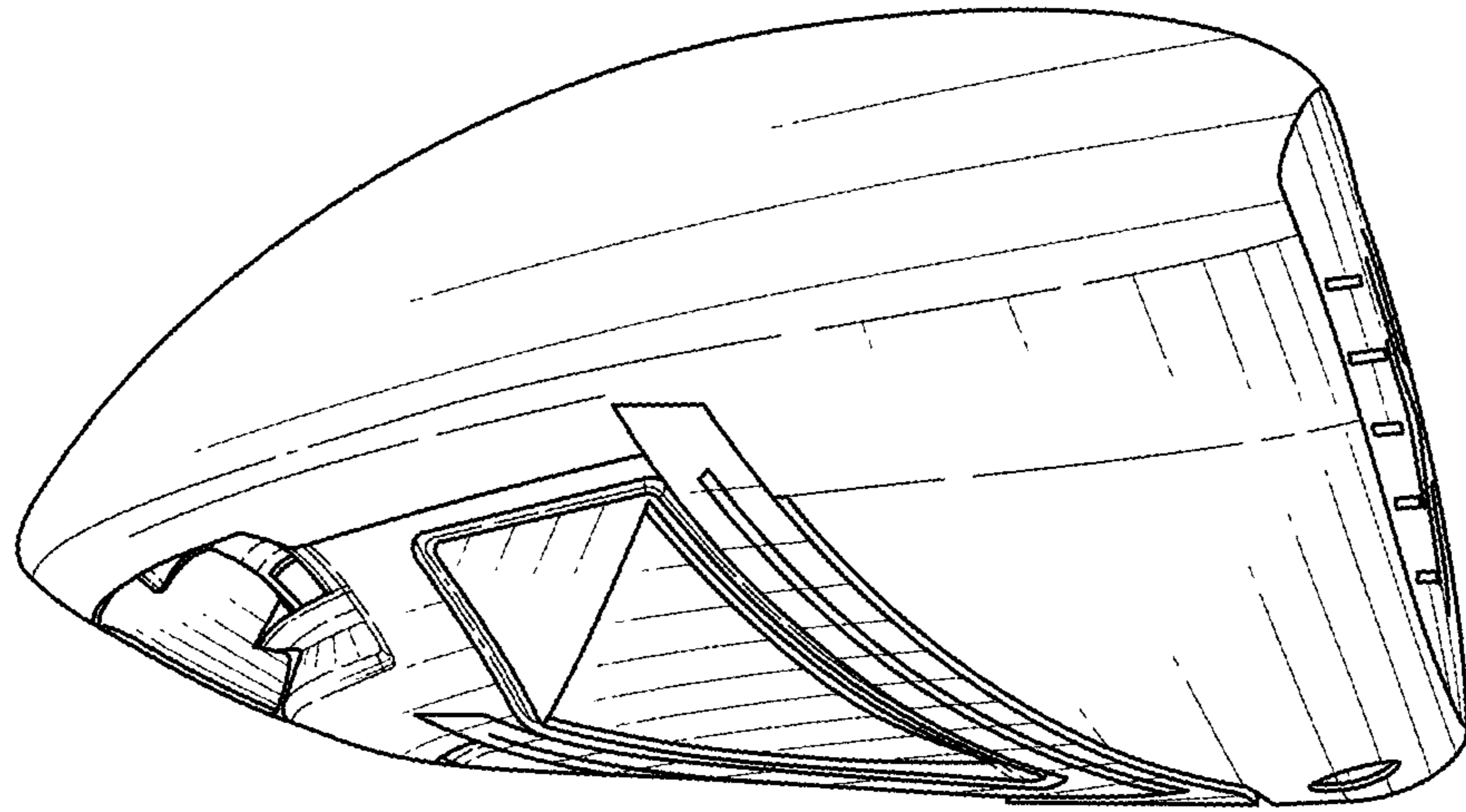


FIG. 4

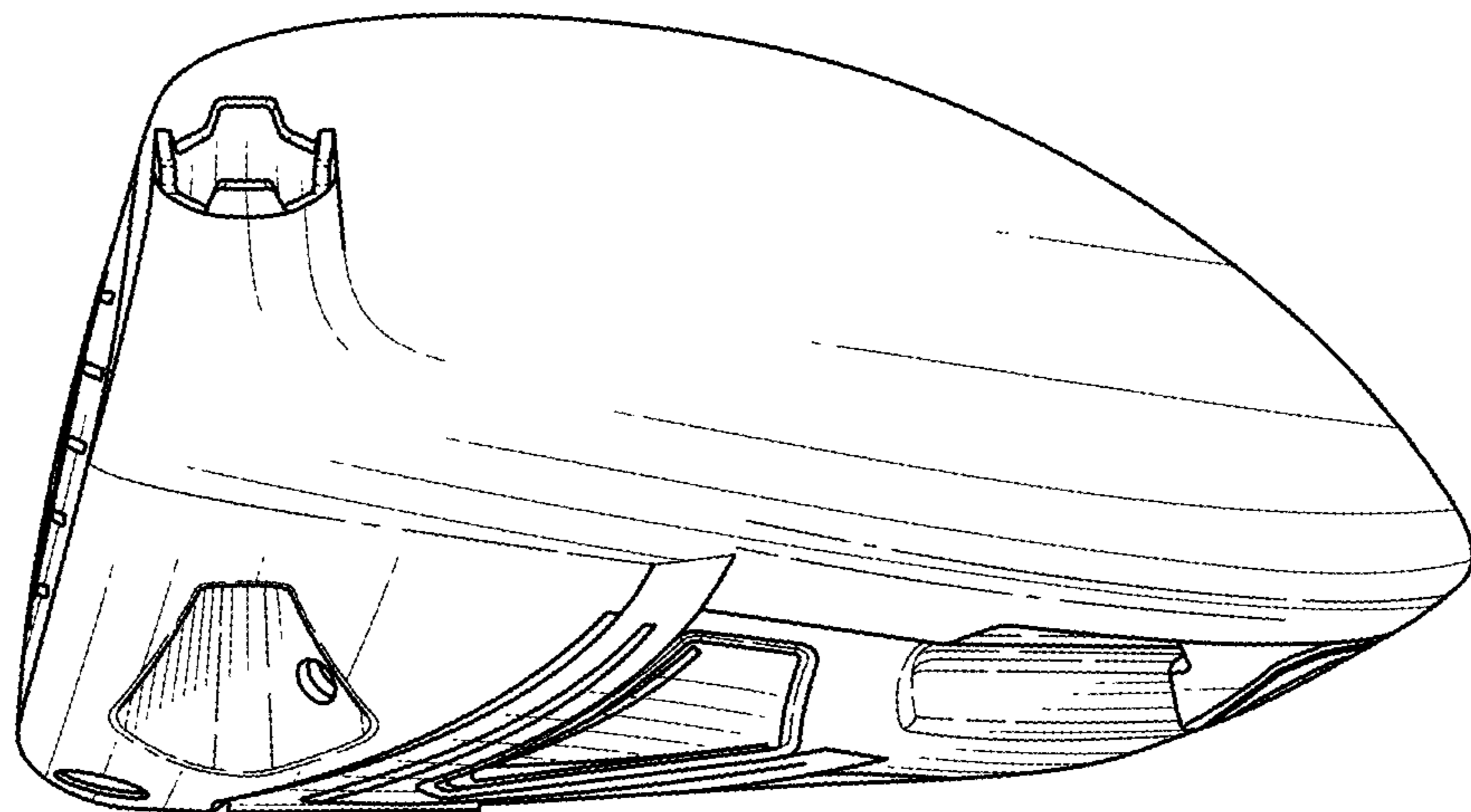


FIG. 5

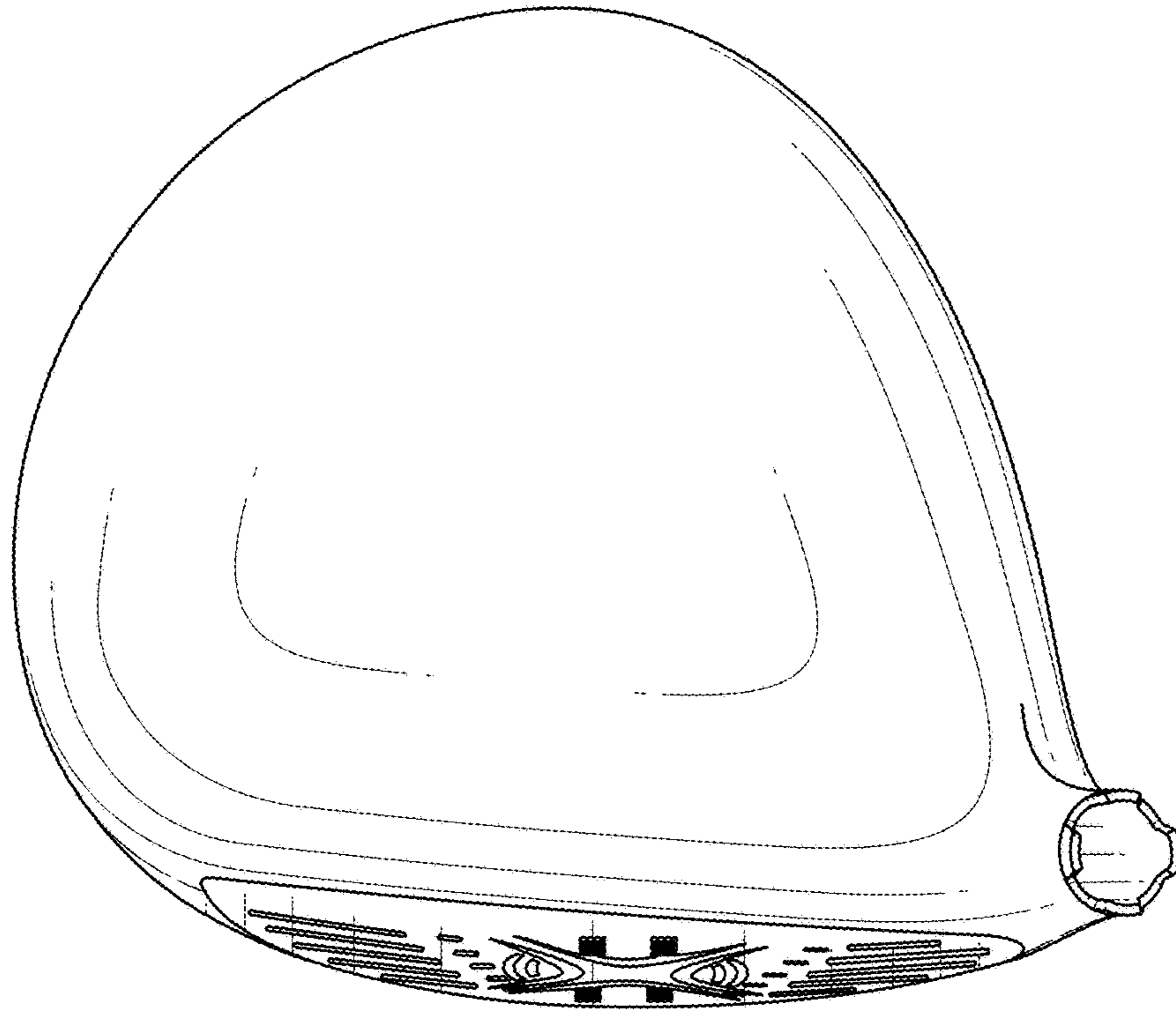


FIG. 6

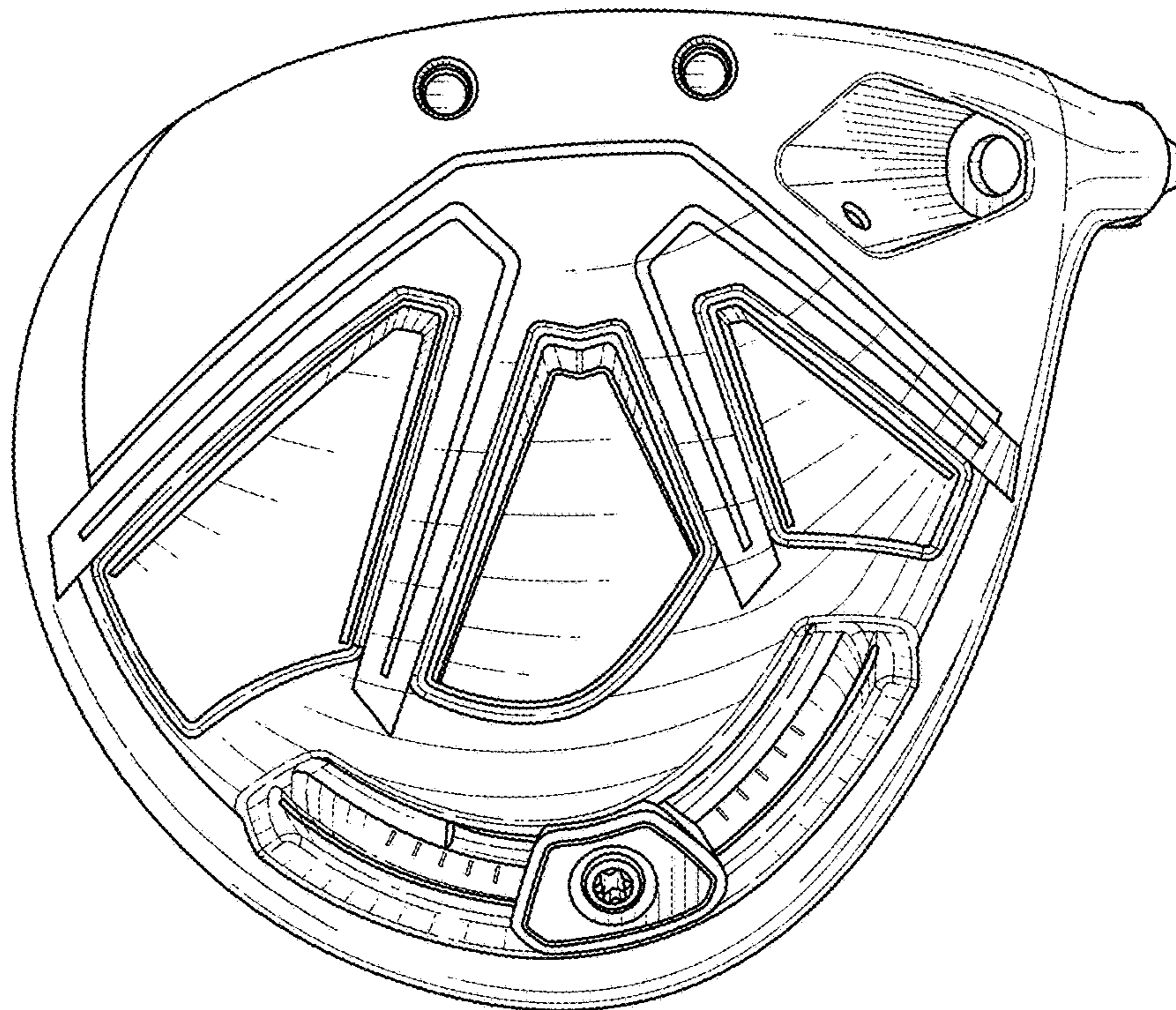


FIG. 7

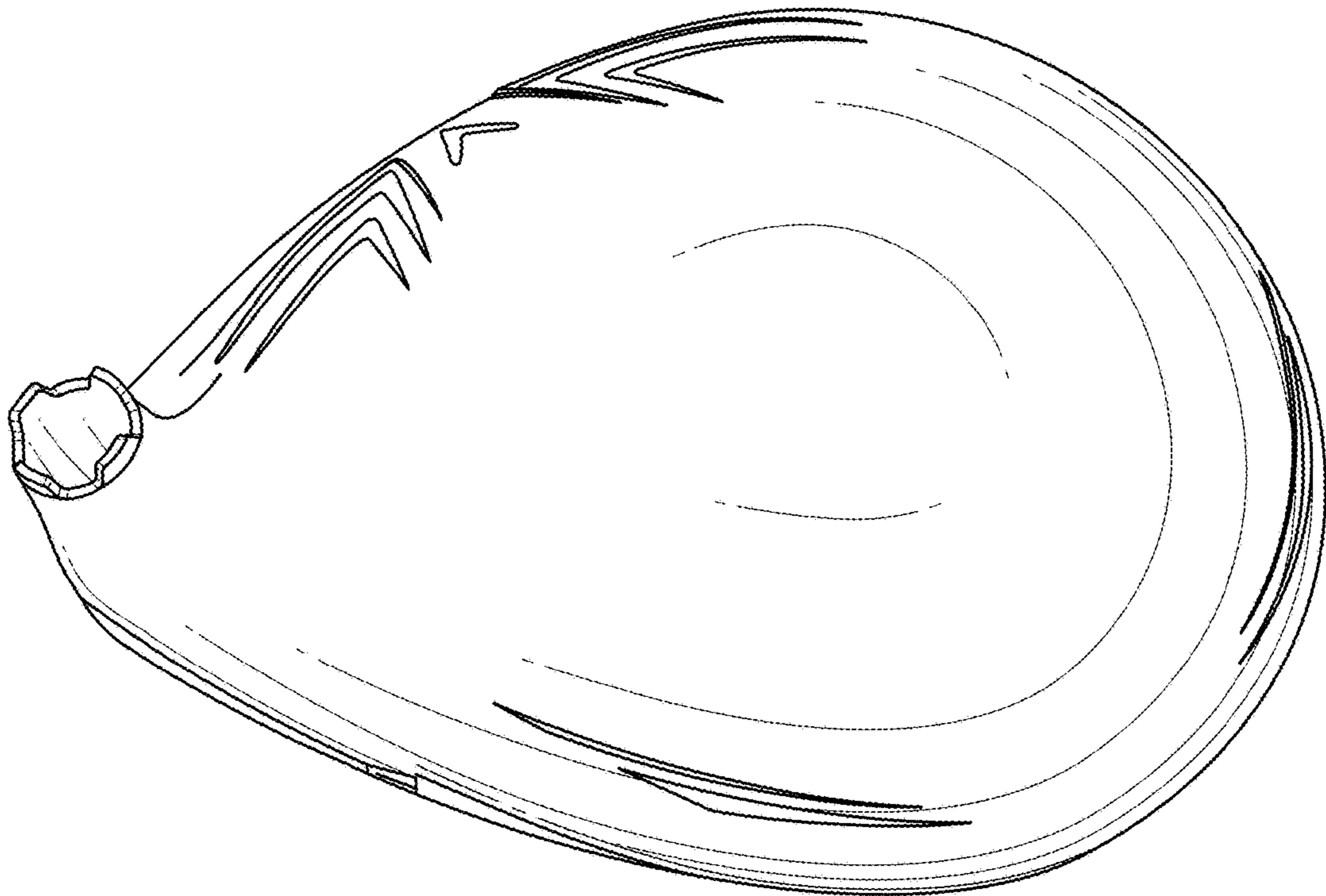


FIG. 8

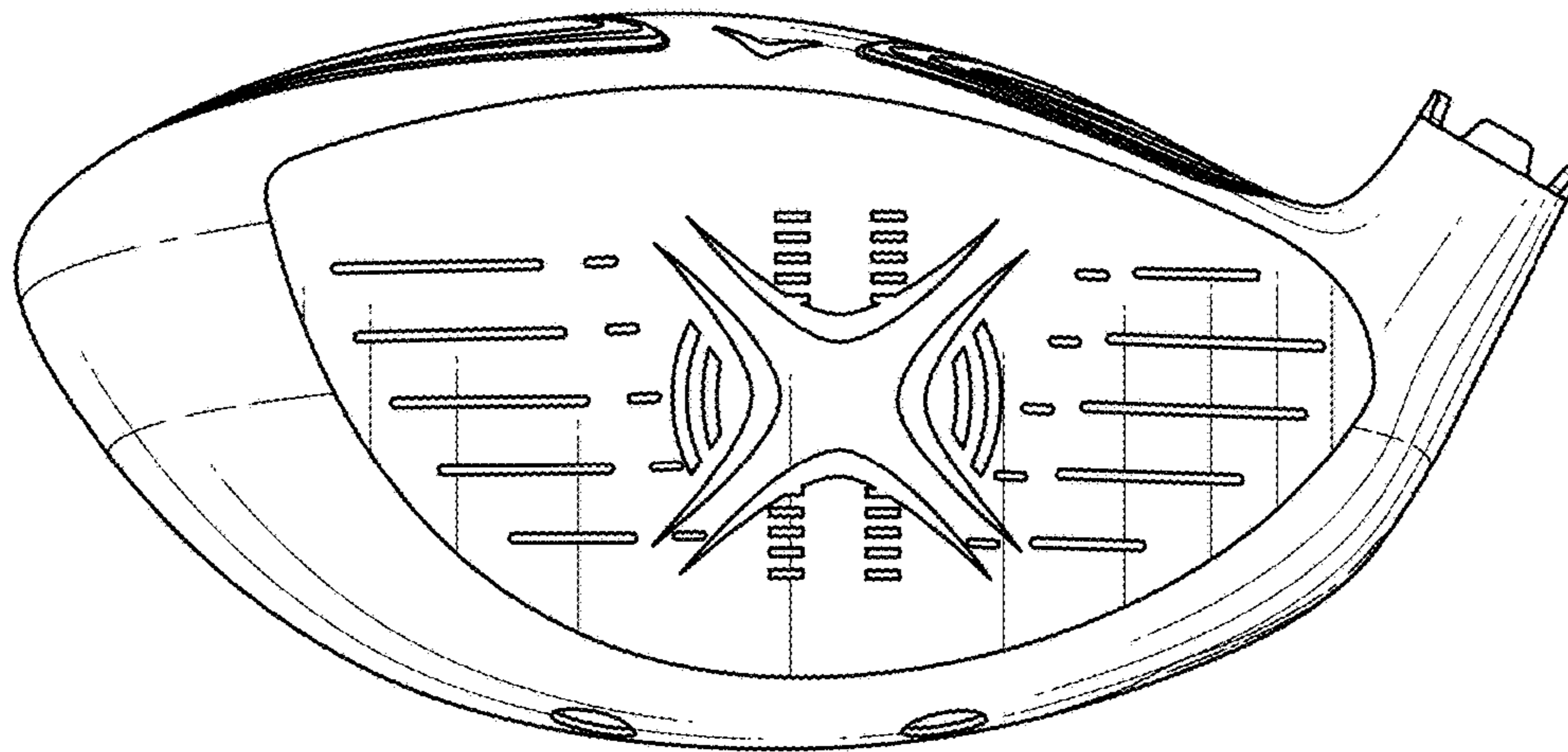


FIG. 9

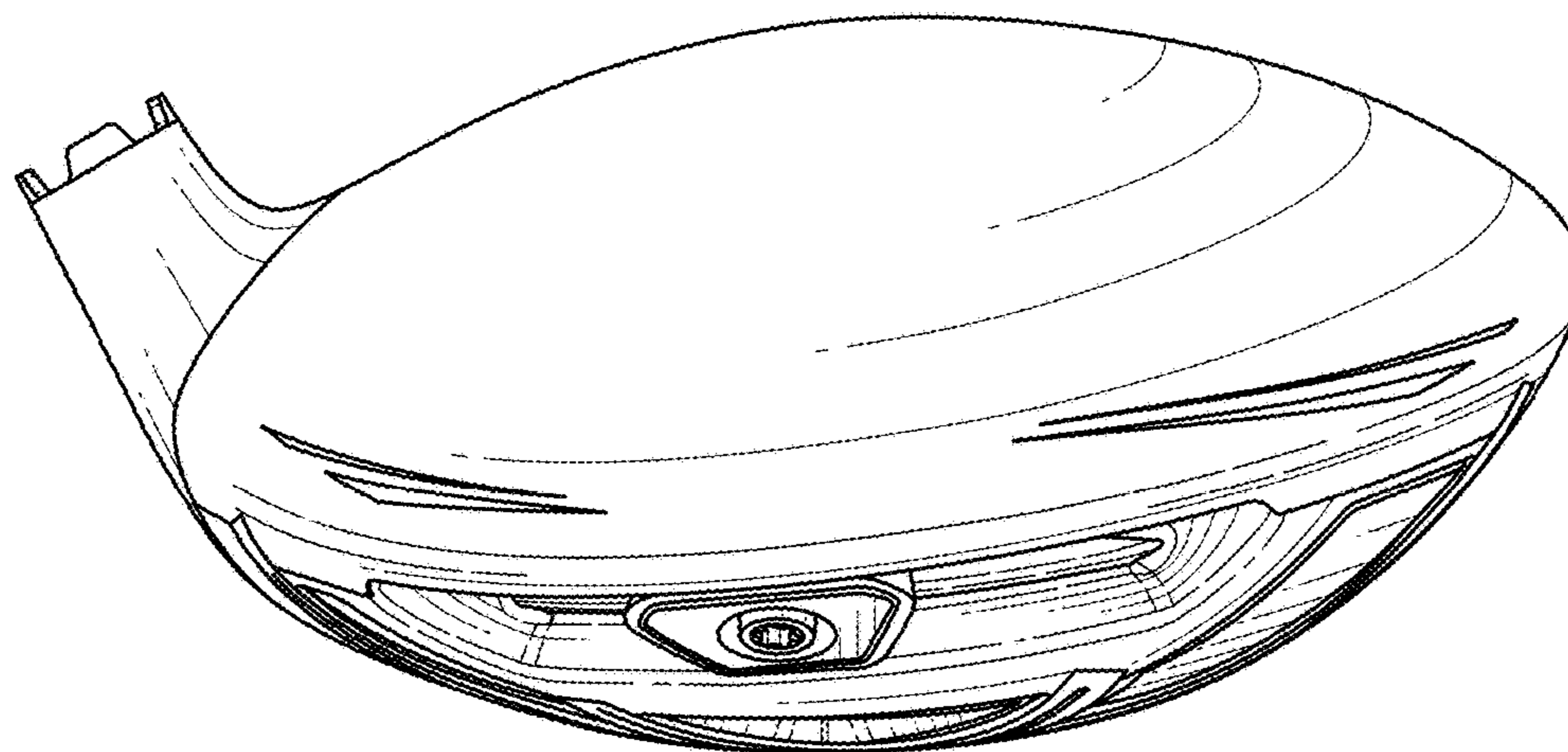


FIG. 10

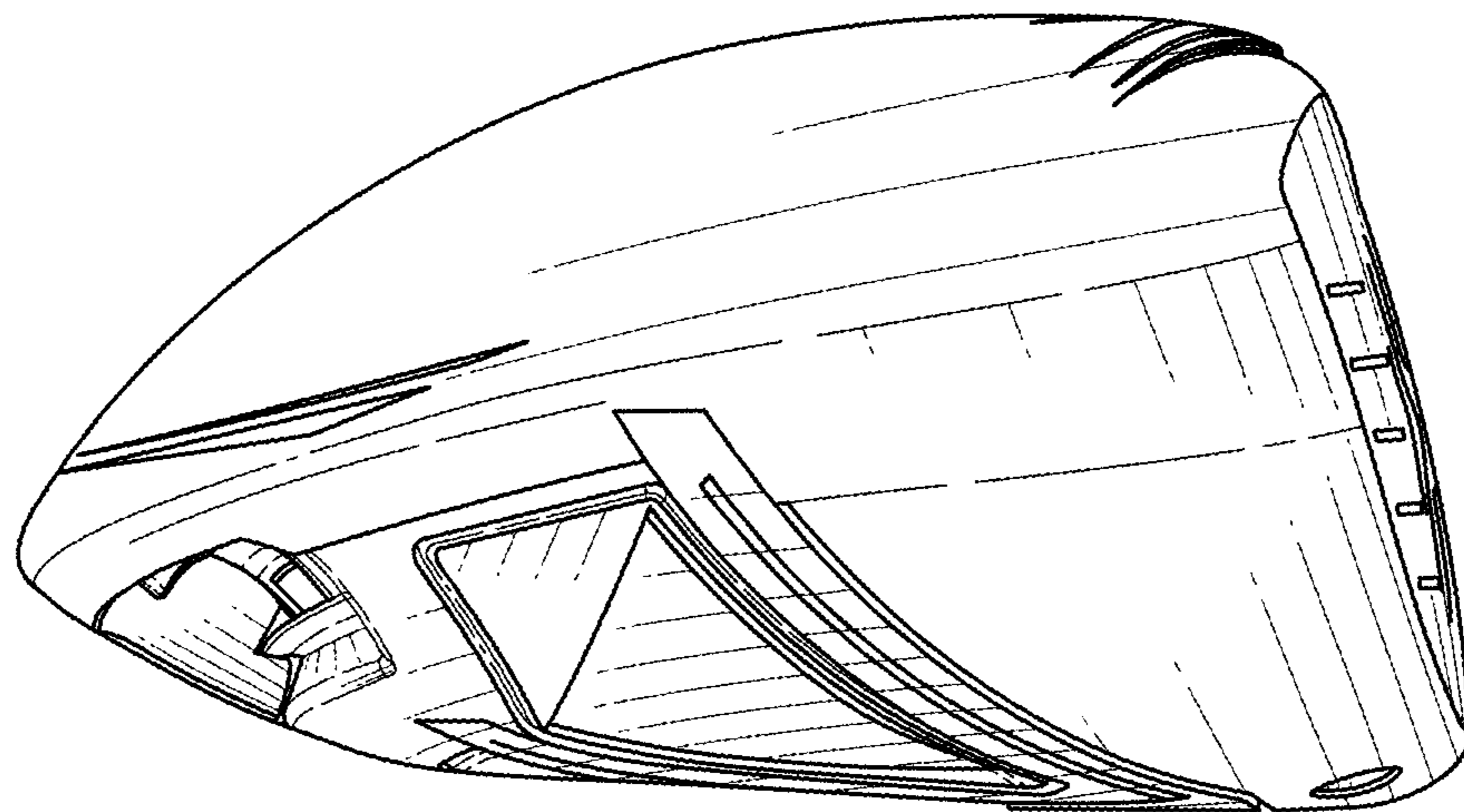


FIG. 11

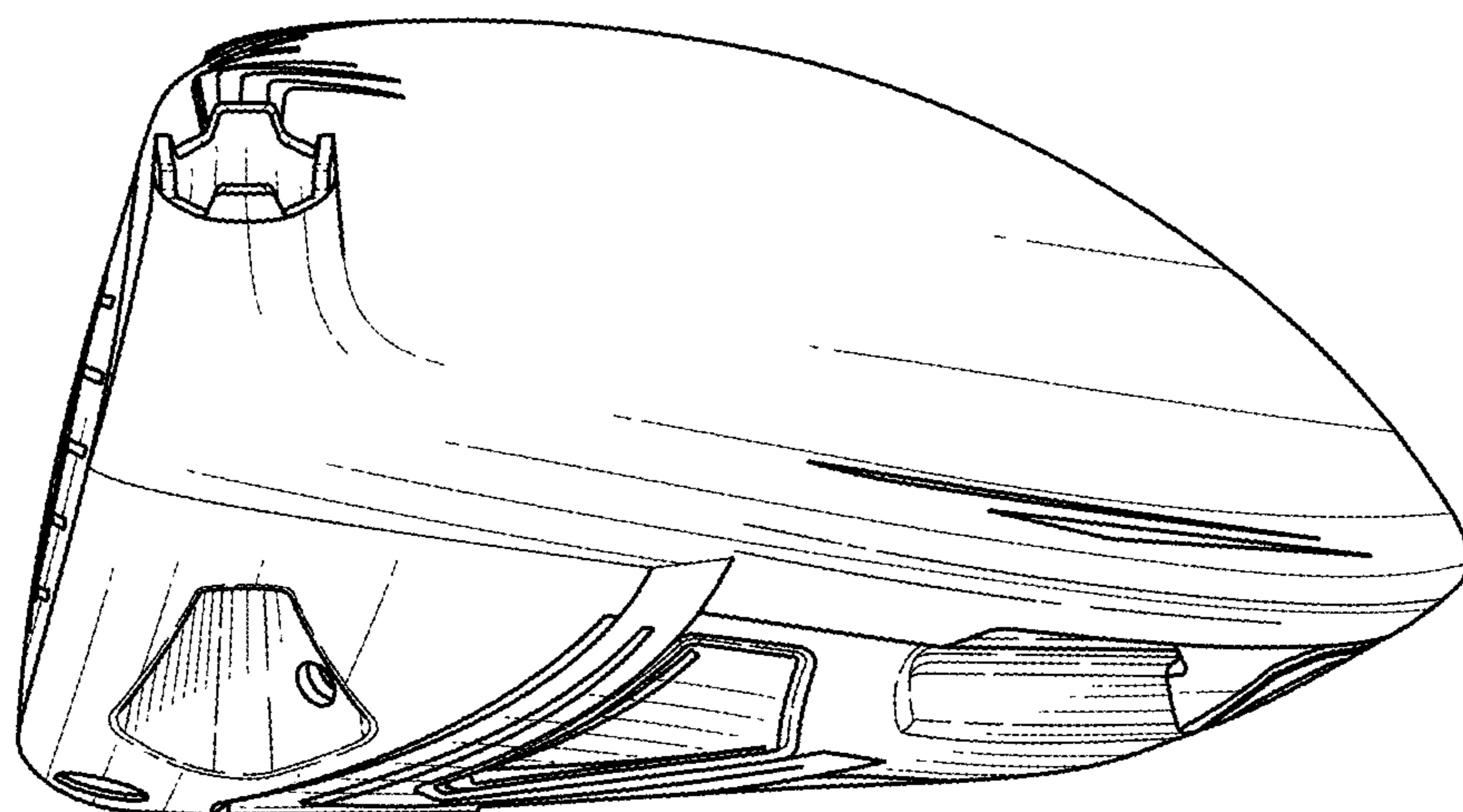


FIG. 12

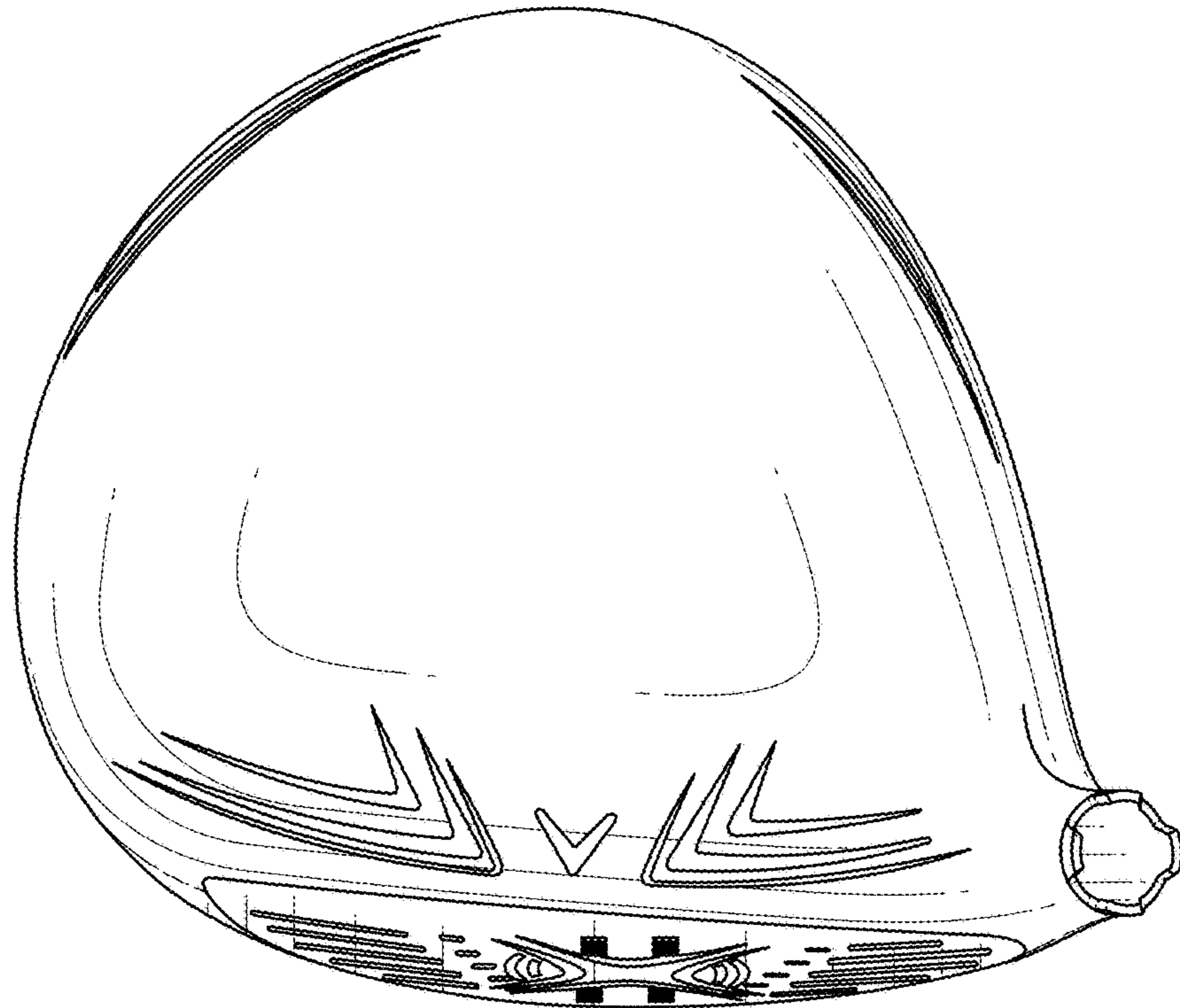


FIG. 13

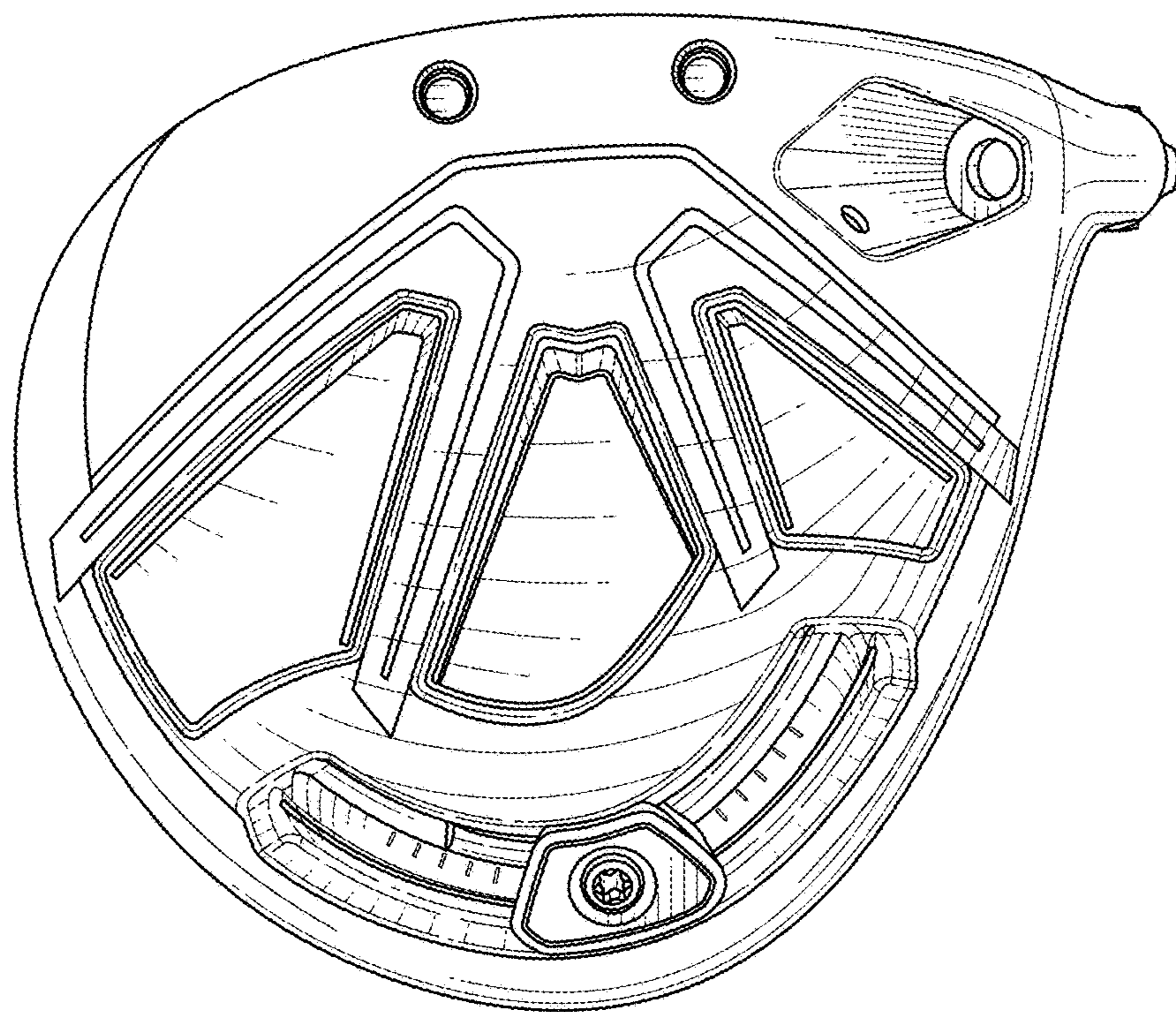


FIG. 14