



US00D813325S

(12) **United States Design Patent** (10) **Patent No.:** **US D813,325 S**
Blum (45) **Date of Patent:** **** Mar. 20, 2018**

(54) **REMOVABLE MEDIA RACK FOR EXERCISE CONSOLE**

(71) Applicant: **Brunswick Corporation**, Lake Forest, IL (US)

(72) Inventor: **Matthew P. Blum**, Chicago, IL (US)

(73) Assignee: **Brunswick Corporation**, Mettawa, IL (US)

(**) Term: **15 Years**

(21) Appl. No.: **29/554,263**

(22) Filed: **Feb. 10, 2016**

(51) **LOC (11) Cl.** **21-02**

(52) **U.S. Cl.**
USPC **D21/696**

(58) **Field of Classification Search**
USPC D21/696, 694; D8/395; D6/312; 482/4;
D13/162, 169
CPC A63B 71/0622; A63B 22/0605; A63B
2225/50; A63B 2225/20; A63B 24/0087;
A63B 24/00

See application file for complete search history.

(56) **References Cited**

U.S. PATENT DOCUMENTS

D372,371	S	*	8/1996	Grove, Jr.	D6/312
D427,156	S	*	6/2000	Arnold	D13/162
D429,509	S	*	8/2000	Garza	D21/694
D444,828	S	*	7/2001	Matsumoto	D21/696
D456,053	S	*	4/2002	Garza	D21/696
D526,370	S	*	8/2006	Bingham, Jr.	D21/696
D536,046	S	*	1/2007	Bingham, Jr.	D21/696
D547,401	S	*	7/2007	Olason	D21/696
D559,801	S	*	1/2008	Olason	D21/694
D578,584	S	*	10/2008	Bingham	D21/696
7,435,202	B2		10/2008	Daly et al.		
D585,506	S	*	1/2009	Olason	D21/696

7,476,181	B1		1/2009	Honda		
D589,098	S	*	3/2009	Horita	D21/696
D591,368	S	*	4/2009	Olason	D21/696
7,846,070	B2		12/2010	Oglesby et al.		
D643,077	S	*	8/2011	Olason	D13/169
D643,484	S	*	8/2011	Olason	D13/169
D651,264	S	*	12/2011	Olason	D21/696
D663,367	S	*	7/2012	Olason	D21/696
D709,265	S	*	7/2014	Lee	D99/28

(Continued)

OTHER PUBLICATIONS

“Extra motivation to keep your members moving”, PRECOR, <https://www.precor.com/en-us/entertainment-options>.

Primary Examiner — Robert M. Spear

Assistant Examiner — Ryan Harvey

(74) *Attorney, Agent, or Firm* — Andrus Intellectual Property Law, LLP

(57) **CLAIM**

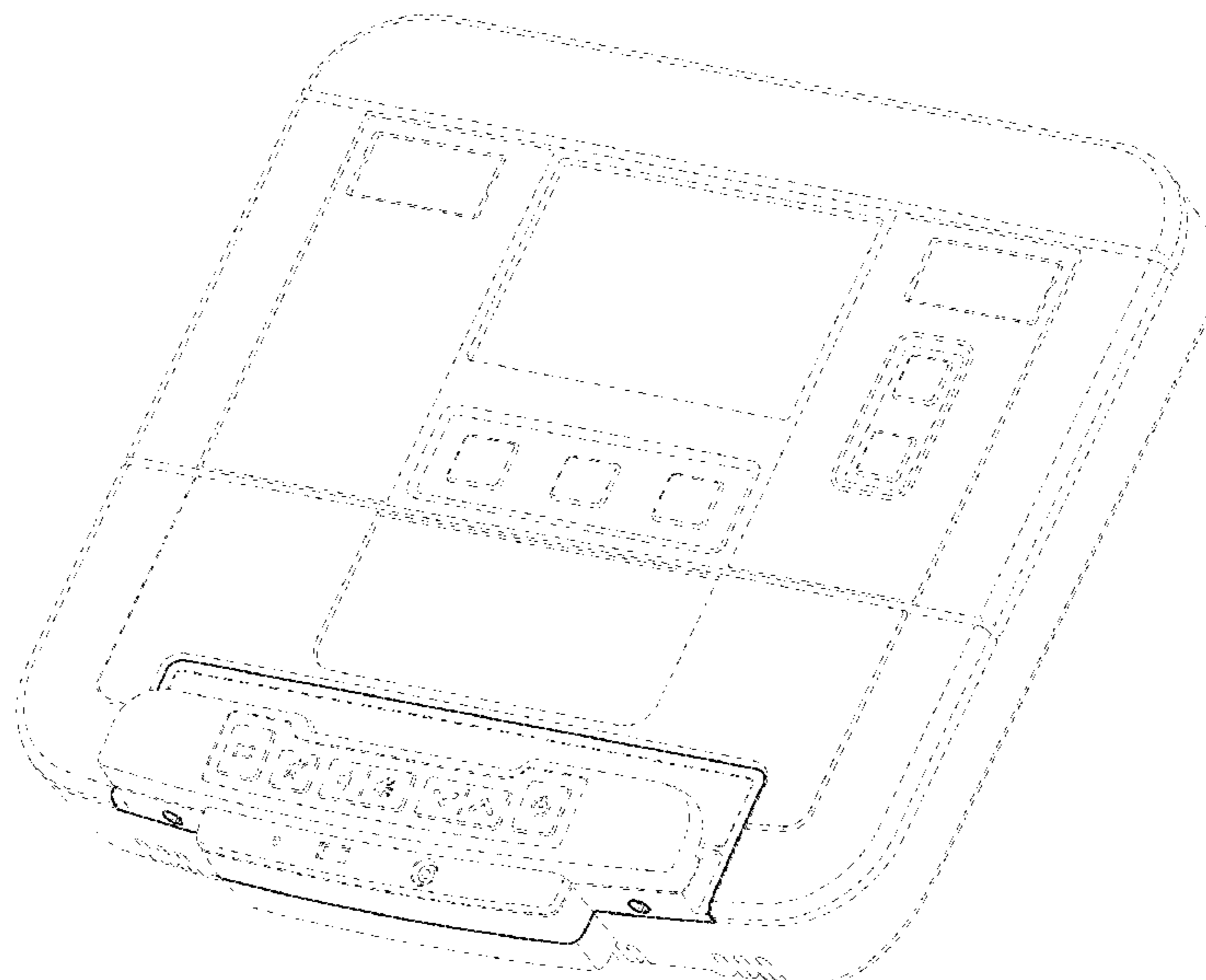
I claim the ornamental design for a removable media rack for exercise console, as shown and described.

DESCRIPTION

FIG. 1 is a front perspective view of a removable media rack showing my new design in use with an exercise console; FIG. 2 is another front perspective view thereof; FIG. 3 is a back perspective view thereof; FIG. 4 is a front elevation view thereof; FIG. 5 is a back elevation view thereof; FIG. 6 is a right elevation view thereof; FIG. 7 is a left elevation view thereof; FIG. 8 is a top plan view thereof; and, FIG. 9 is a bottom plan view thereof.

The broken line showing of portions of the removable media rack for exercise console depicts environment and forms no part of the claim.

1 Claim, 7 Drawing Sheets



(56)

References Cited

U.S. PATENT DOCUMENTS

2008/0242511 A1 10/2008 Munoz et al.
2015/0306456 A1* 10/2015 Pasini A63B 24/00
482/4

* cited by examiner

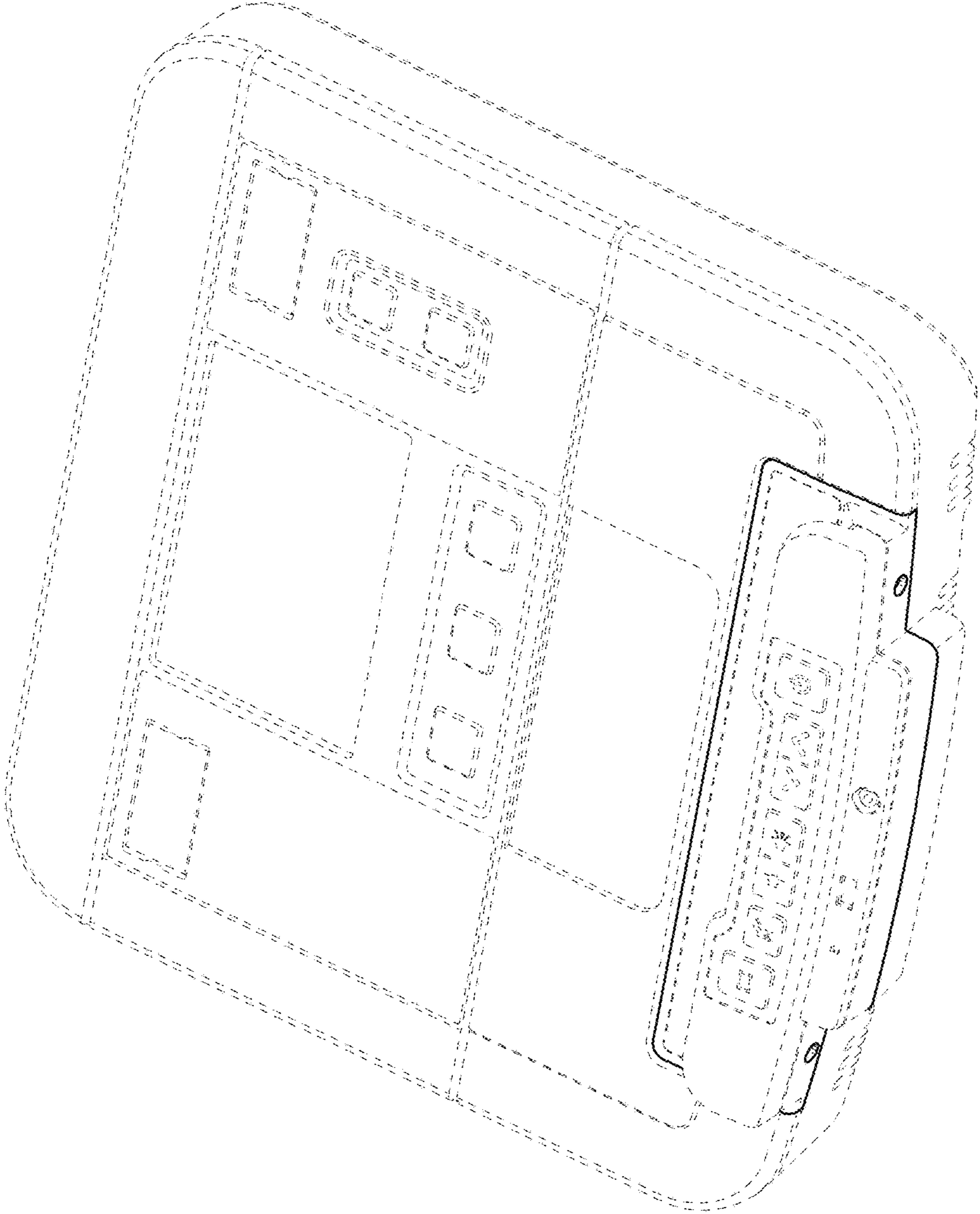


FIG. 1

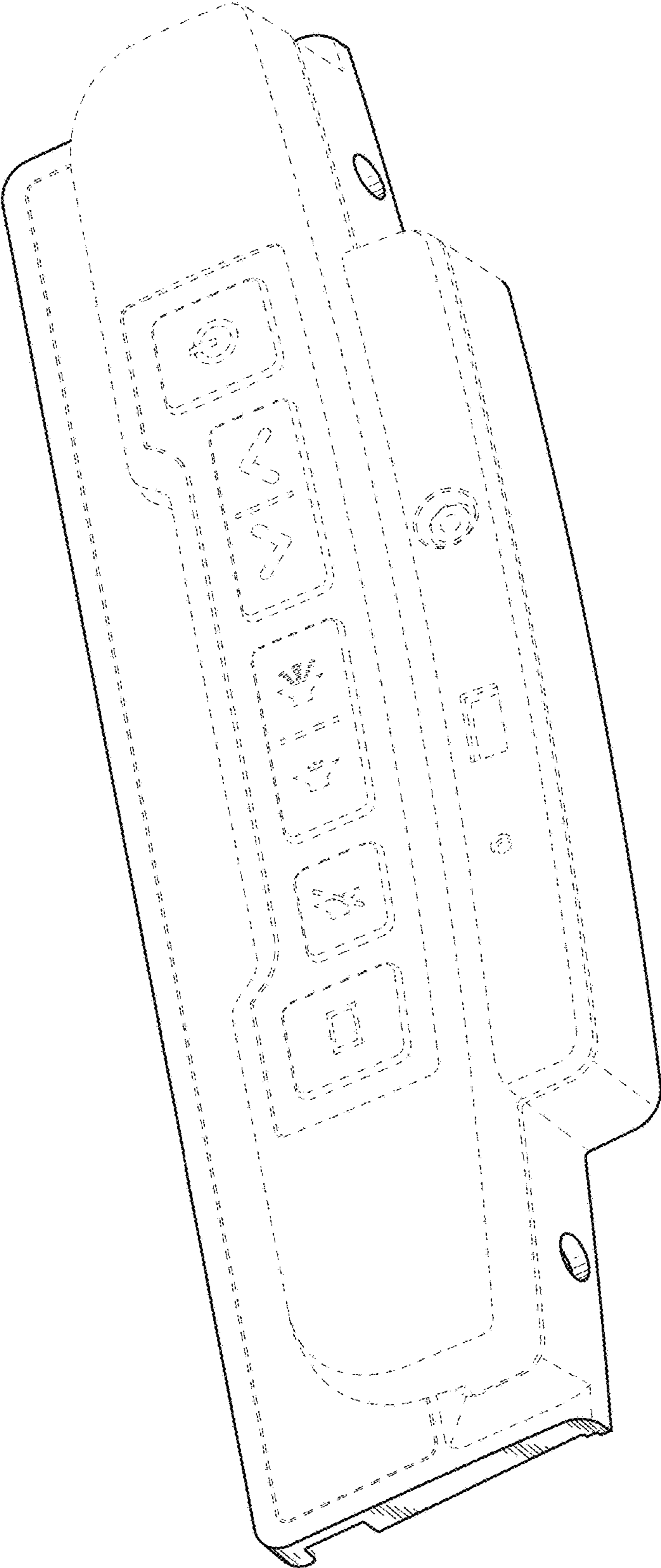


FIG. 2

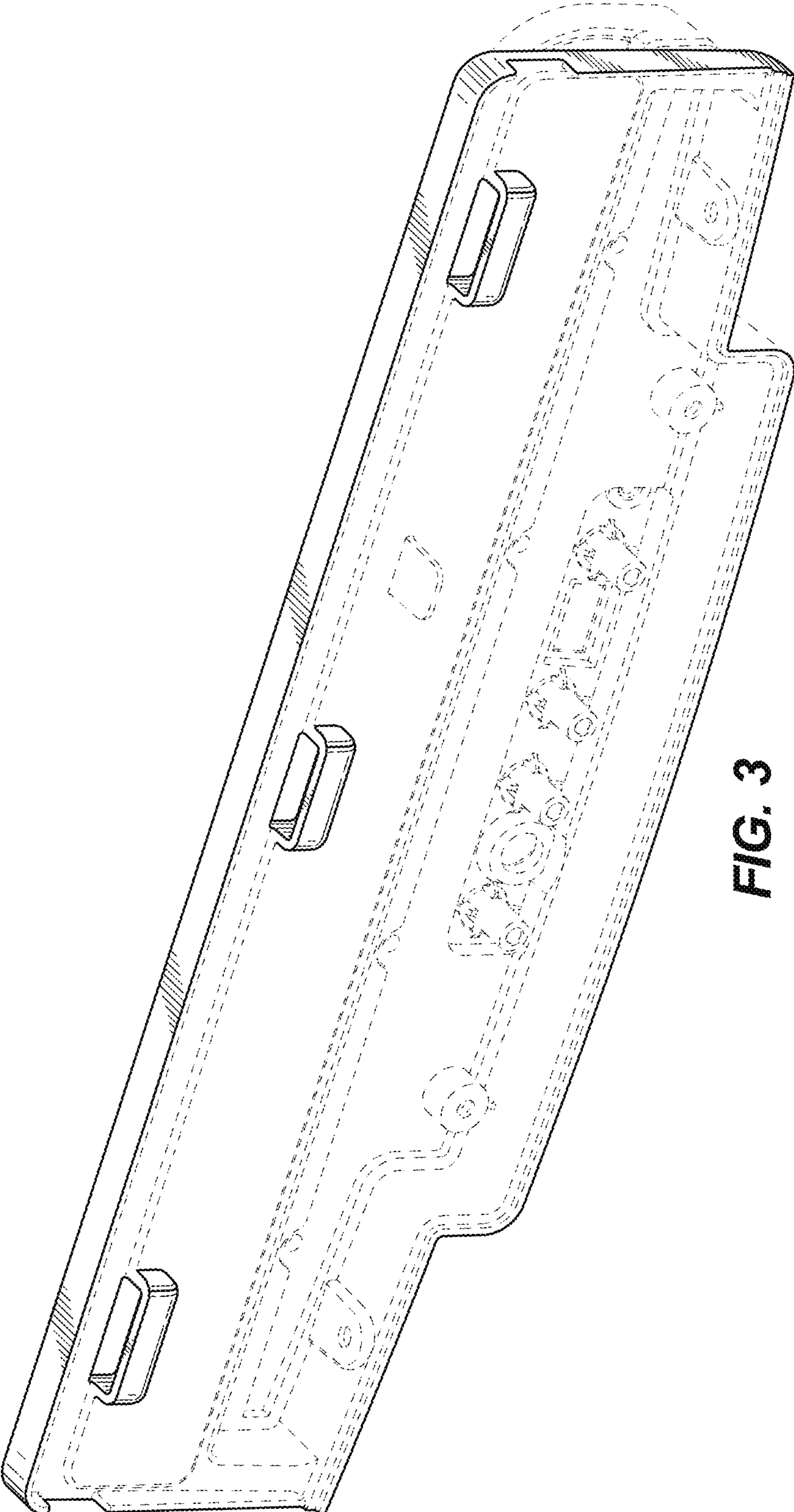


FIG. 3

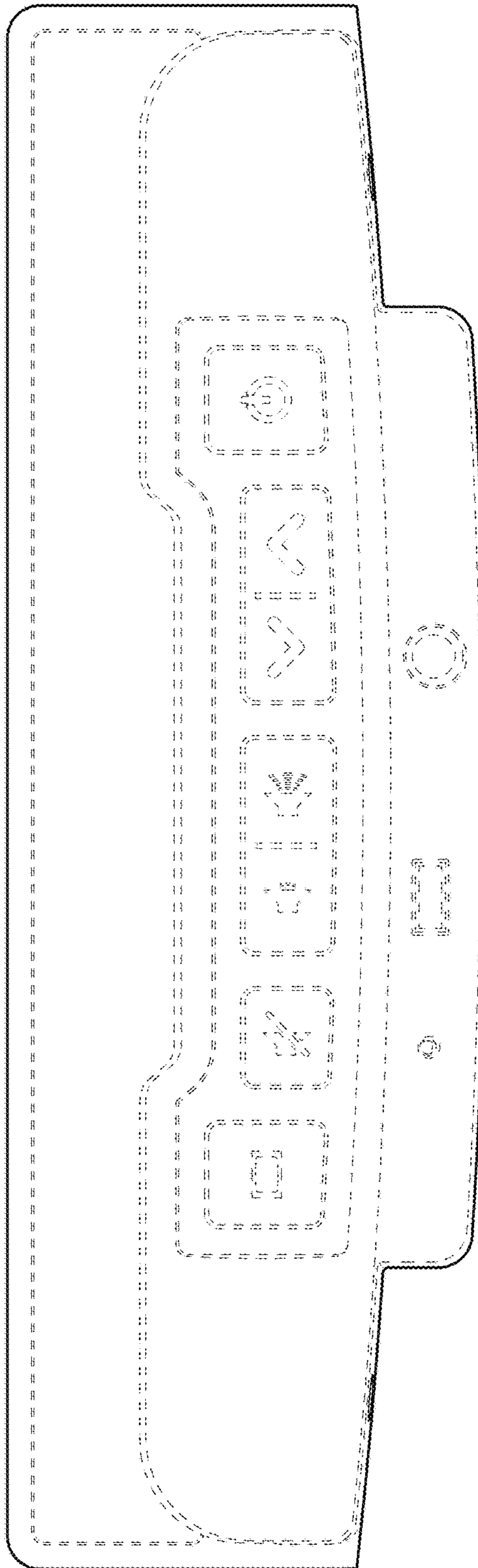


FIG. 4

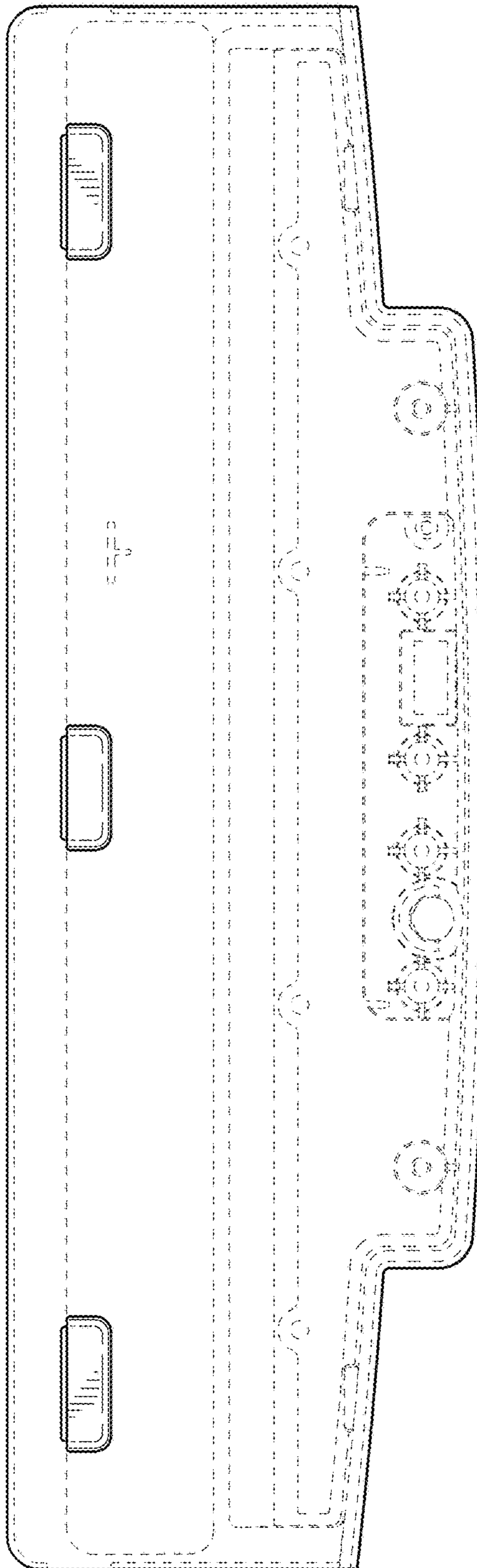


FIG. 5

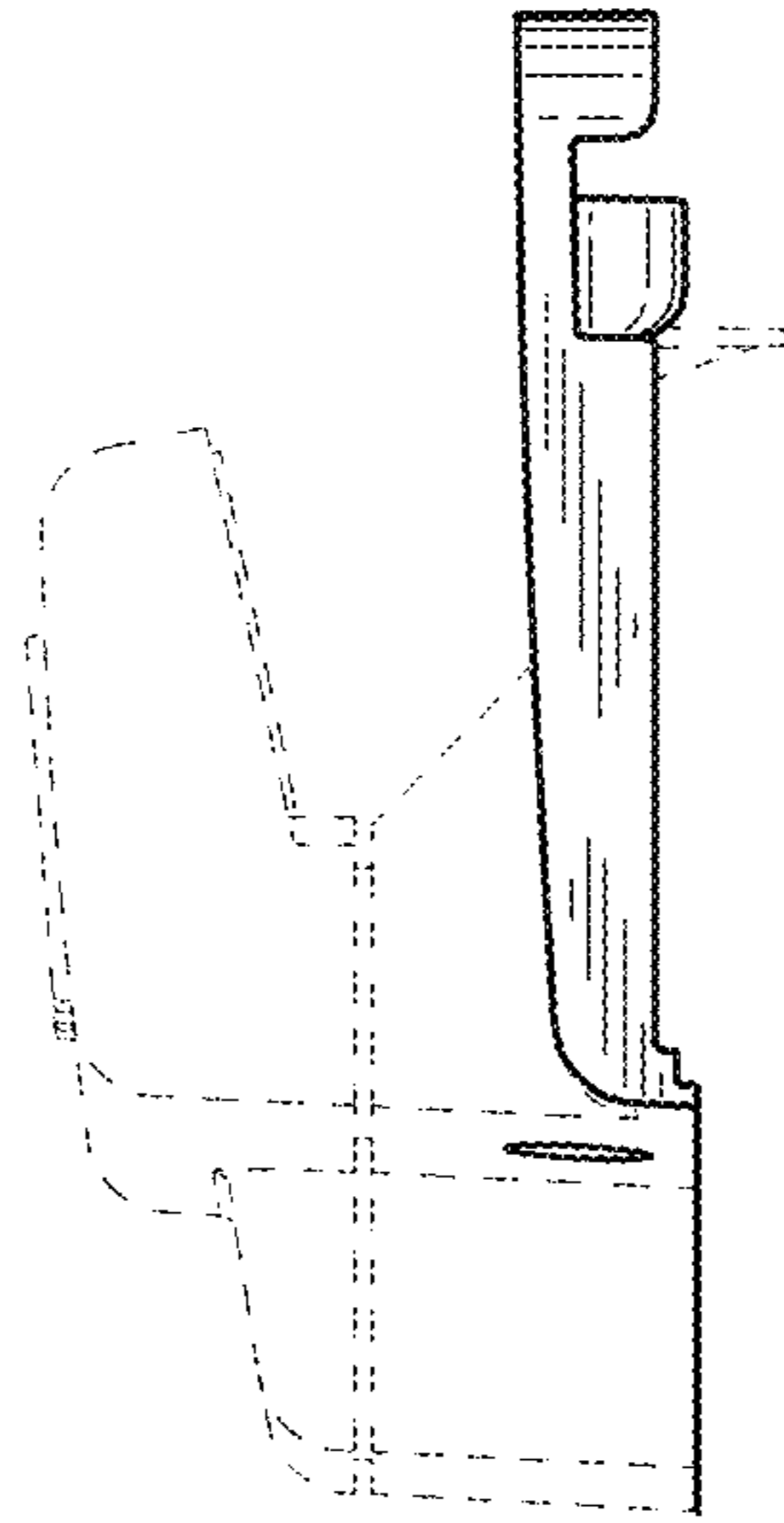


FIG. 6

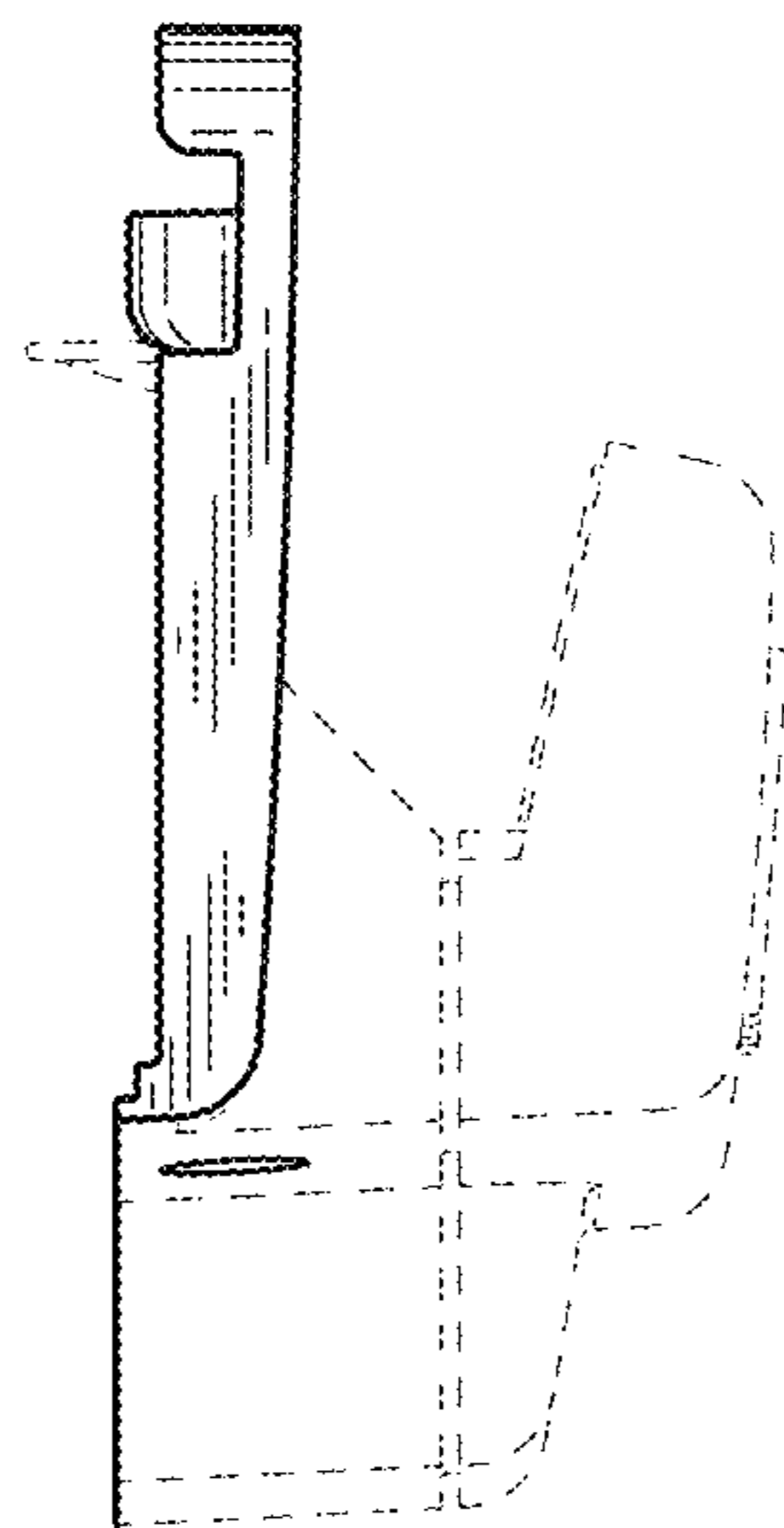


FIG. 7

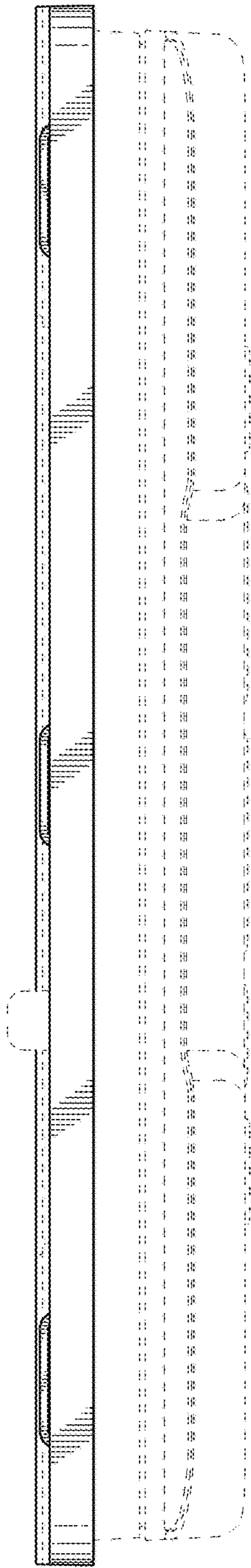


FIG. 8

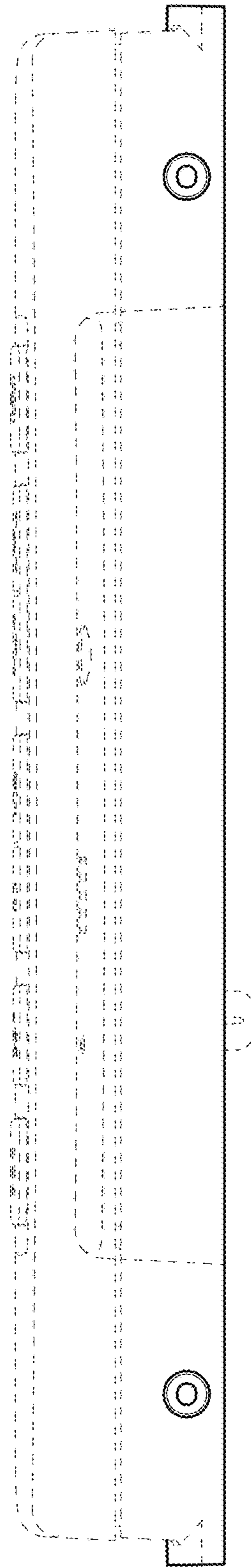


FIG. 9