



US00D813322S

(12) **United States Design Patent**
Zannini

(10) **Patent No.:** **US D813,322 S**
(45) **Date of Patent:** **** Mar. 20, 2018**

(54) **KNEELING EXERCISE PLATFORM**

4,705,268 A * 11/1987 Nadeau A63B 22/0076
446/397

(71) Applicant: **Anthony A. Zannini**, Pembroke Pines,
FL (US)

D336,498 S * 6/1993 Engel D21/690

5,366,428 A 11/1994 Liao

5,456,657 A * 10/1995 Cheng A61H 15/00
601/98

(72) Inventor: **Anthony A. Zannini**, Pembroke Pines,
FL (US)

5,458,553 A 10/1995 Wu

(Continued)

(**) Term: **15 Years**

OTHER PUBLICATIONS

(21) Appl. No.: **29/567,958**

U.S. Patent and Trademark Office; Office Action dated Dec. 2, 2016,
as entered in parent U.S. Appl. No. 12/022,015 (11 pages).

(22) Filed: **Jun. 14, 2016**

Related U.S. Application Data

Primary Examiner — Robert M. Spear

Assistant Examiner — Ryan Harvey

(63) Continuation of application No. 14/956,688, filed on
Dec. 2, 2015, now Pat. No. 9,770,621.

(74) *Attorney, Agent, or Firm* — Kevin P. Crosby, Esq.;
GrayRobinson, P.A.

(51) **LOC (11) Cl.** **21-02**

(52) **U.S. Cl.**

USPC **D21/673**

(58) **Field of Classification Search**

USPC D21/690, 676, 687, 674, 673, 675, 689;
482/140, 142, 126, 144, 92, 143, 123,
482/133, 138, 95, 131, 130, 135, 72, 52,
482/57, 93, 96, 127, 100, 118, 136, 97,
482/112, 9

CPC A63B 23/0211; A63B 2208/0233; A63B
21/4047; A63B 21/068; A63B 21/0628;
A63B 23/0233; A63B 21/4035; A63B
23/0227; A63B 23/0216; A63B
2208/0252; A63B 23/0405; A63B
21/4029; A63B 21/0004

See application file for complete search history.

(57) **CLAIM**

The ornamental design for a kneeling exercise platform, as
shown and described.

DESCRIPTION

FIG. 1 is a left front perspective view of the design with
movable features of the design in a first position.

FIG. 2 is a left front perspective view thereof.

FIG. 3 is a left side elevational view thereof.

FIG. 4 is a top plan view thereof.

FIG. 5 is a bottom plan view thereof.

FIG. 6 is a rear elevational view thereof.

FIG. 7 is a front elevational view thereof.

FIG. 8 is a right rear perspective view thereof.

FIG. 9 is a left side elevational view thereof with the
movable features of the design in a second position; and,

FIG. 10 is a left front perspective view of the design being
used by a person.

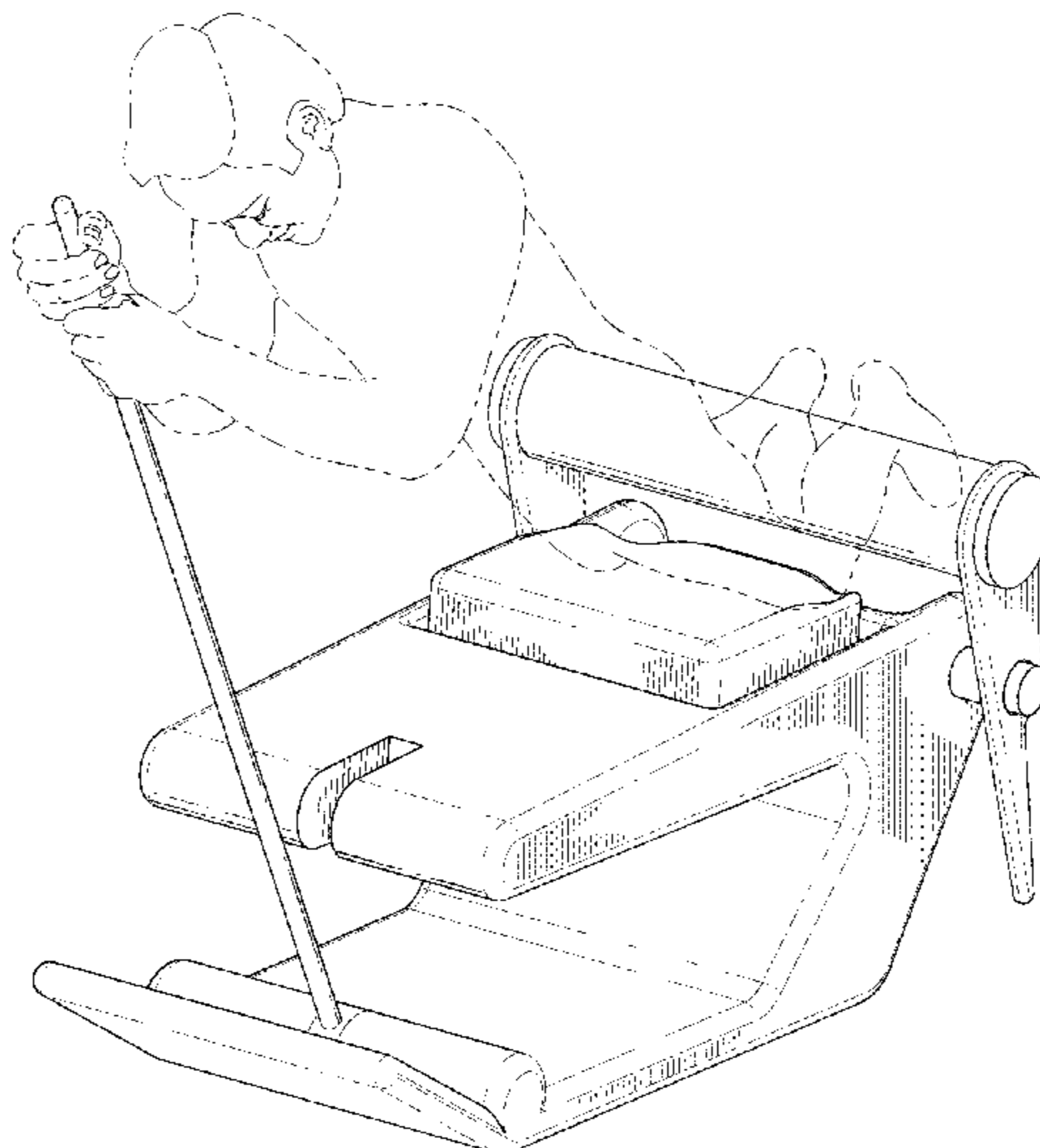
The subject matter indicated in phantom does not form any
part of the claimed design, and is included to indicate
environment.

(56) **References Cited**

U.S. PATENT DOCUMENTS

2,642,288 A 6/1953 Bell
2,924,456 A 2/1960 Miller
D268,278 S * 3/1983 Smith D21/674
D288,951 S * 3/1987 Kiiiski D21/674
D289,539 S * 4/1987 Brentham D21/674

1 Claim, 10 Drawing Sheets



(56)

References Cited

U.S. PATENT DOCUMENTS

5,649,885 A * 7/1997 Liljenquist A63B 21/068
482/57
5,906,566 A * 5/1999 Whitcomb A63B 21/0552
482/130
6,634,997 B2 * 10/2003 Breibart A63B 21/00072
482/130
6,984,196 B2 1/2006 Tornabene et al.
7,201,709 B1 4/2007 Pebbles, Jr.
7,294,099 B2 11/2007 Schenk
7,591,773 B2 9/2009 Weir et al.
7,878,957 B1 2/2011 Chen
8,632,446 B2 1/2014 Solow et al.
D740,380 S * 10/2015 Sorensen, II D21/687
D794,726 S * 8/2017 Roseberry D21/687
9,770,621 B2 * 9/2017 Zannini A63B 21/4047
2004/0198572 A1 * 10/2004 Rouillard A61H 1/0292
482/142
2007/0021280 A1 1/2007 Tyree
2008/0015091 A1 1/2008 Tyree
2009/0305855 A1 * 12/2009 Terrell A63B 22/20
482/140
2014/0121070 A1 5/2014 Ellis
2016/0129304 A1 5/2016 Giannelli et al.
2016/0236027 A1 8/2016 Bastyr
2017/0157456 A1 * 6/2017 Zannini A63B 21/4047

* cited by examiner

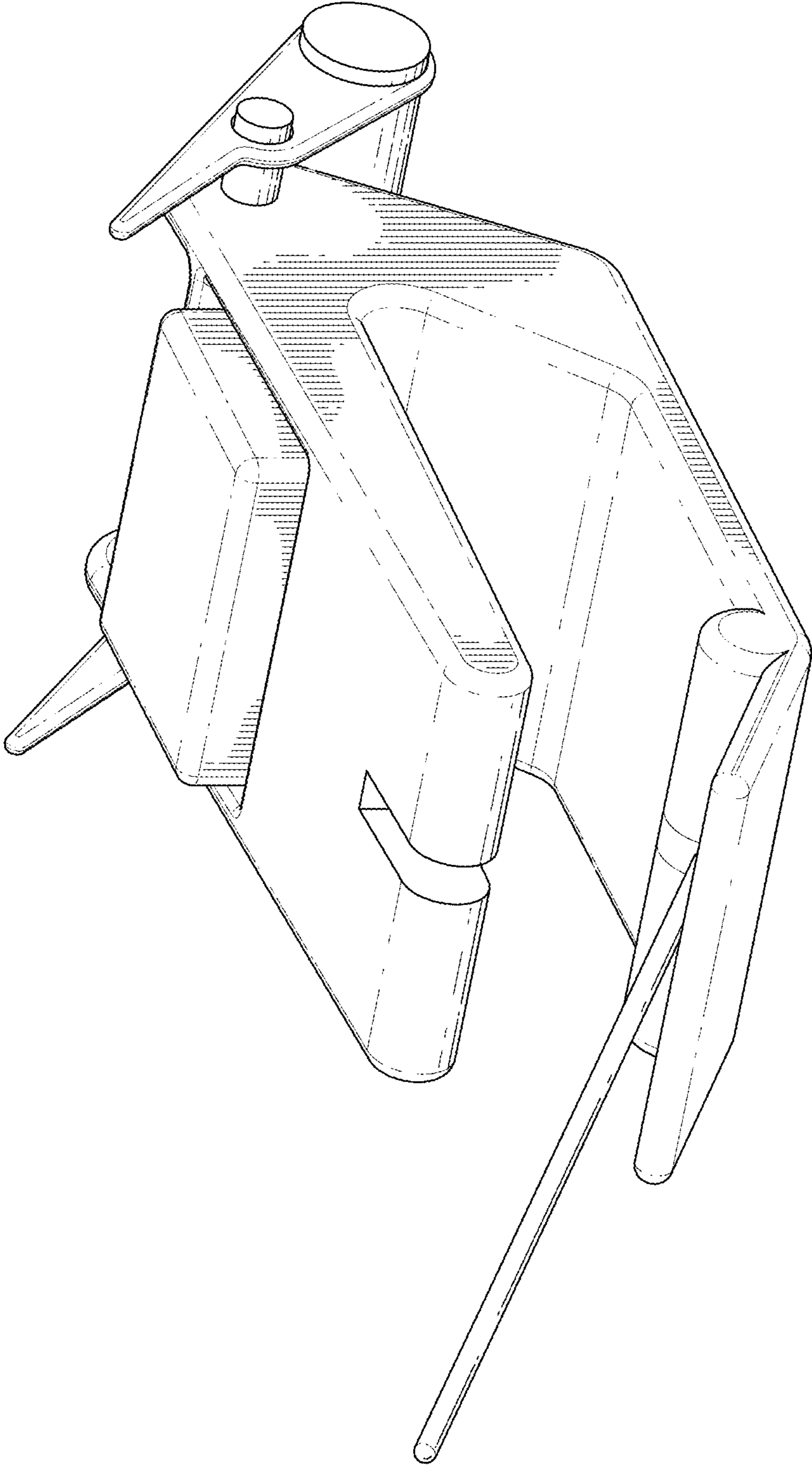


FIG. 1

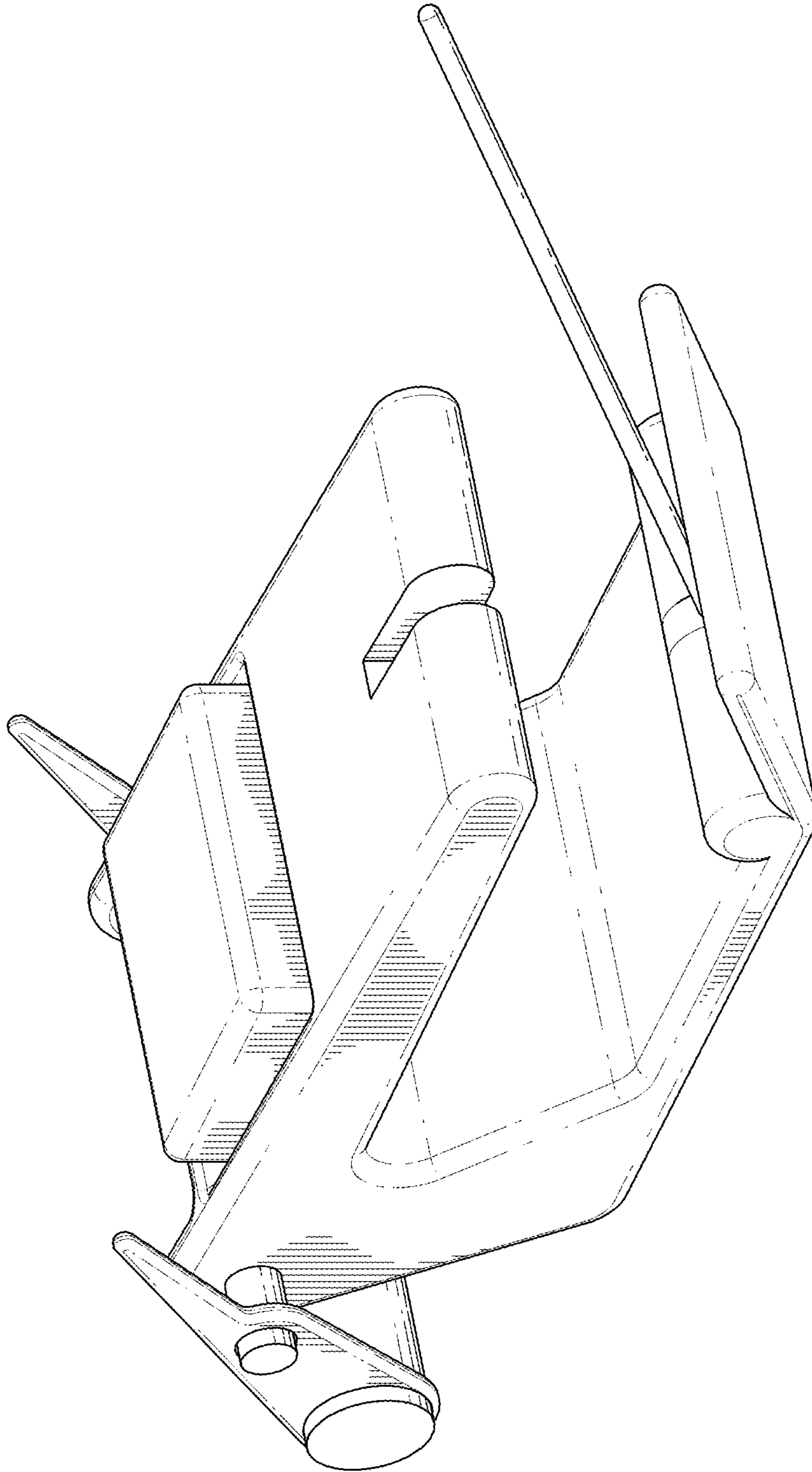


FIG. 2

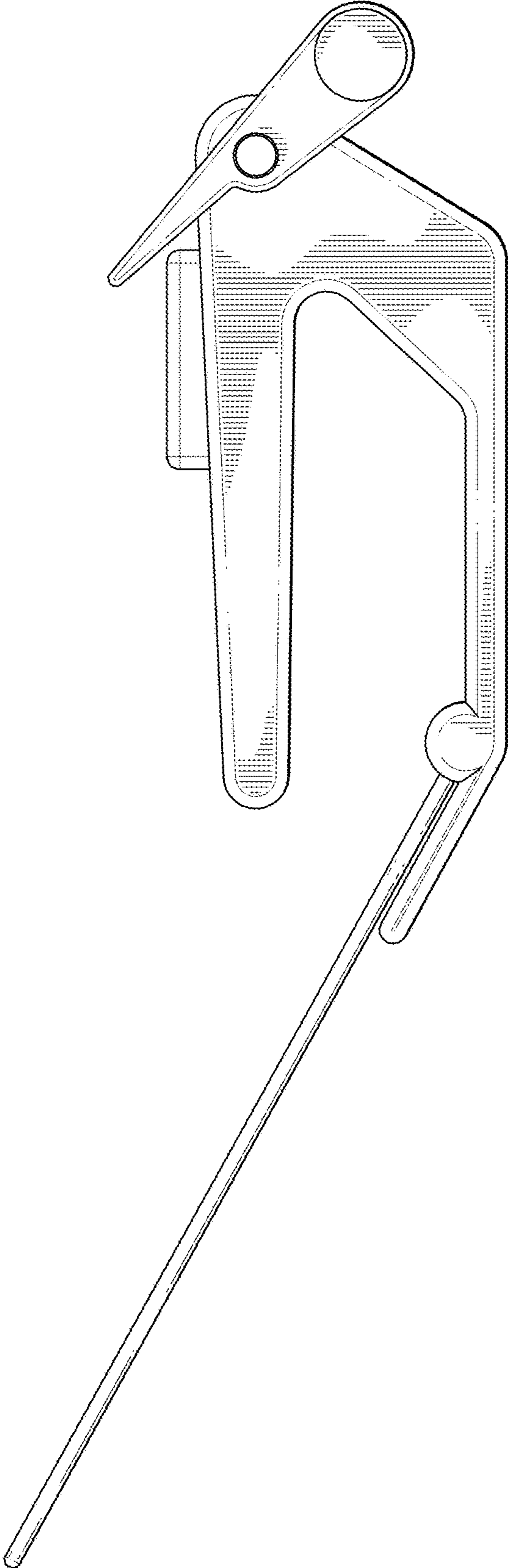


FIG. 3

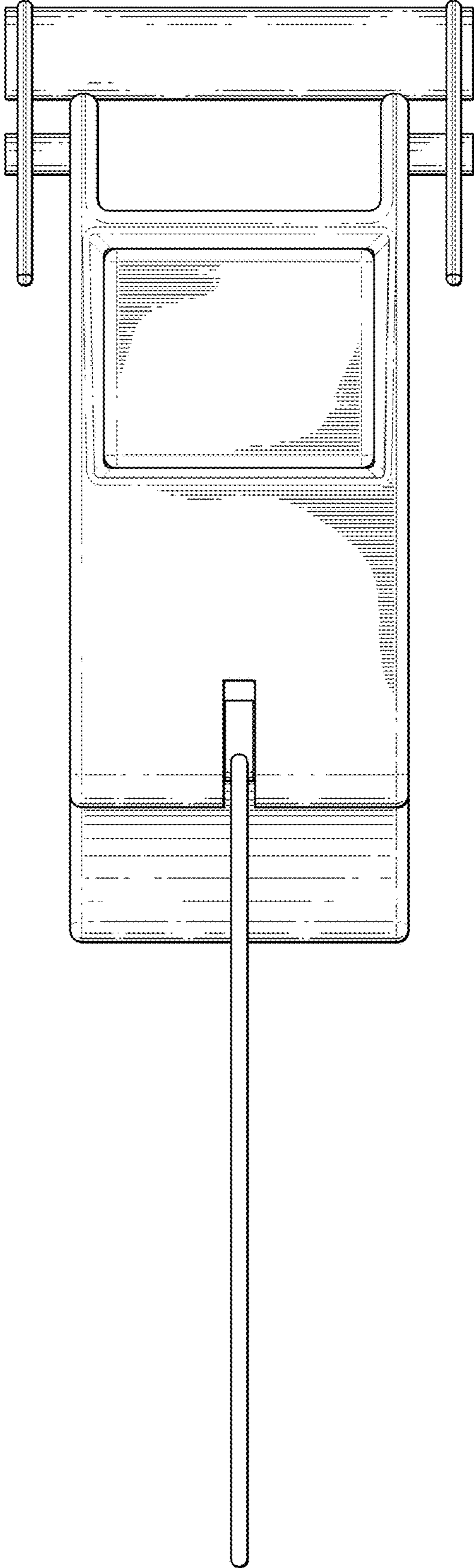


FIG. 4

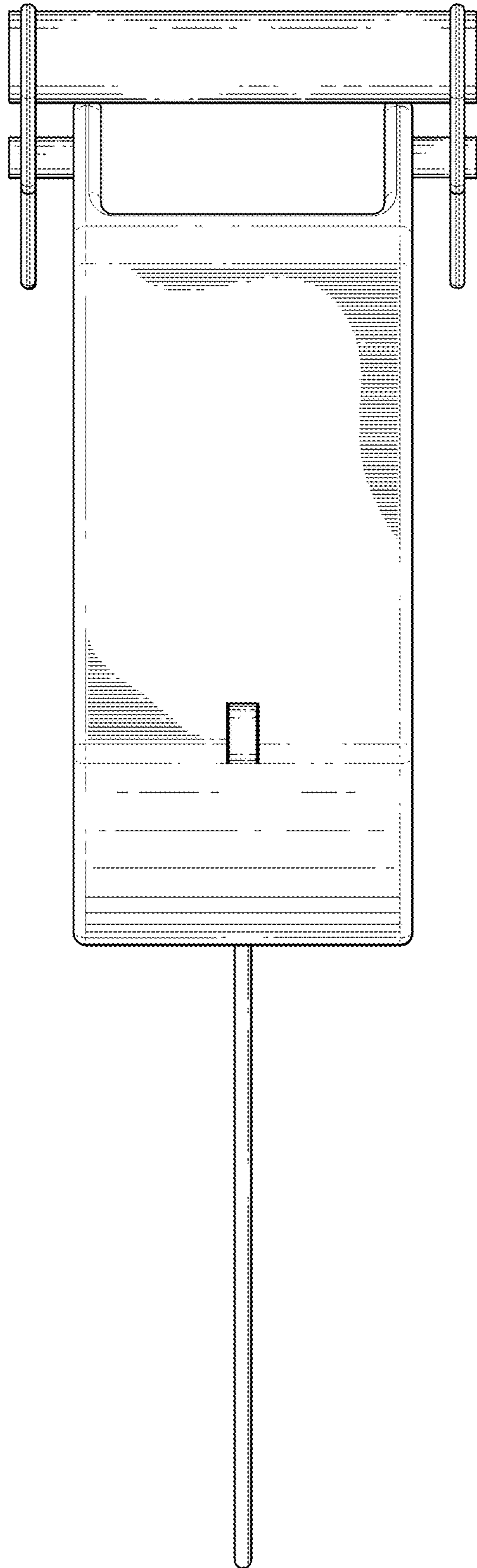


FIG. 5

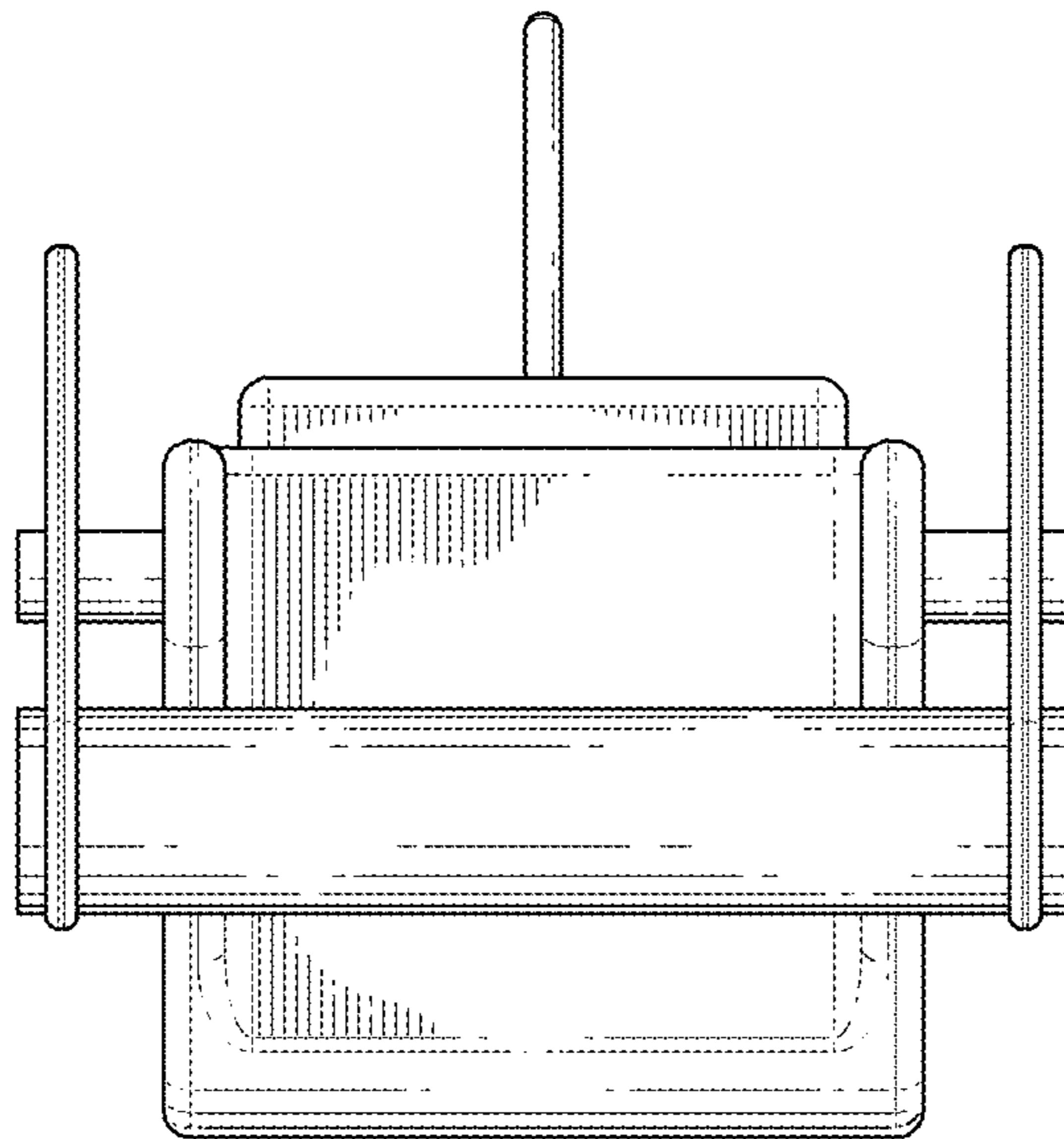


FIG. 6

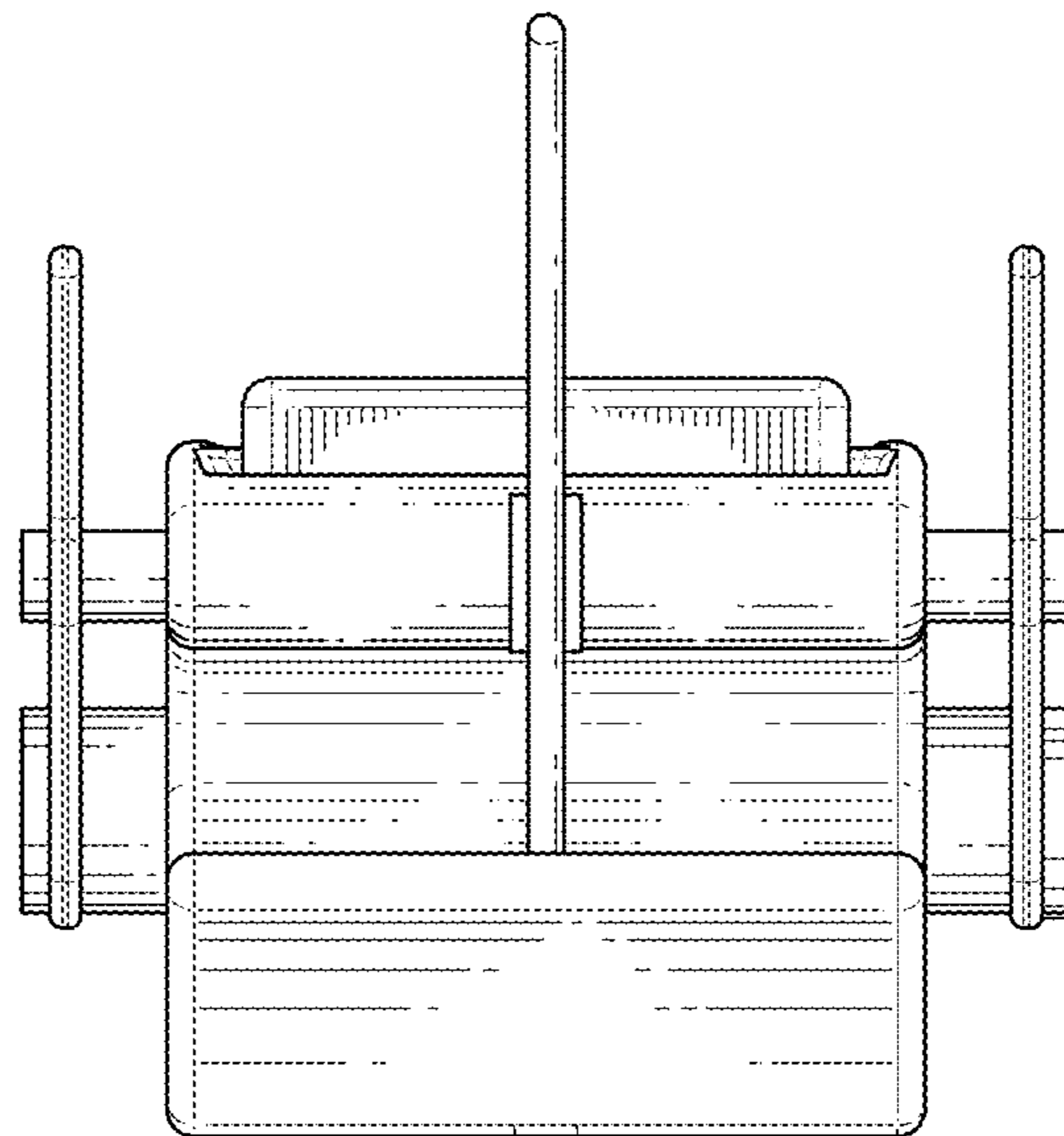


FIG. 7

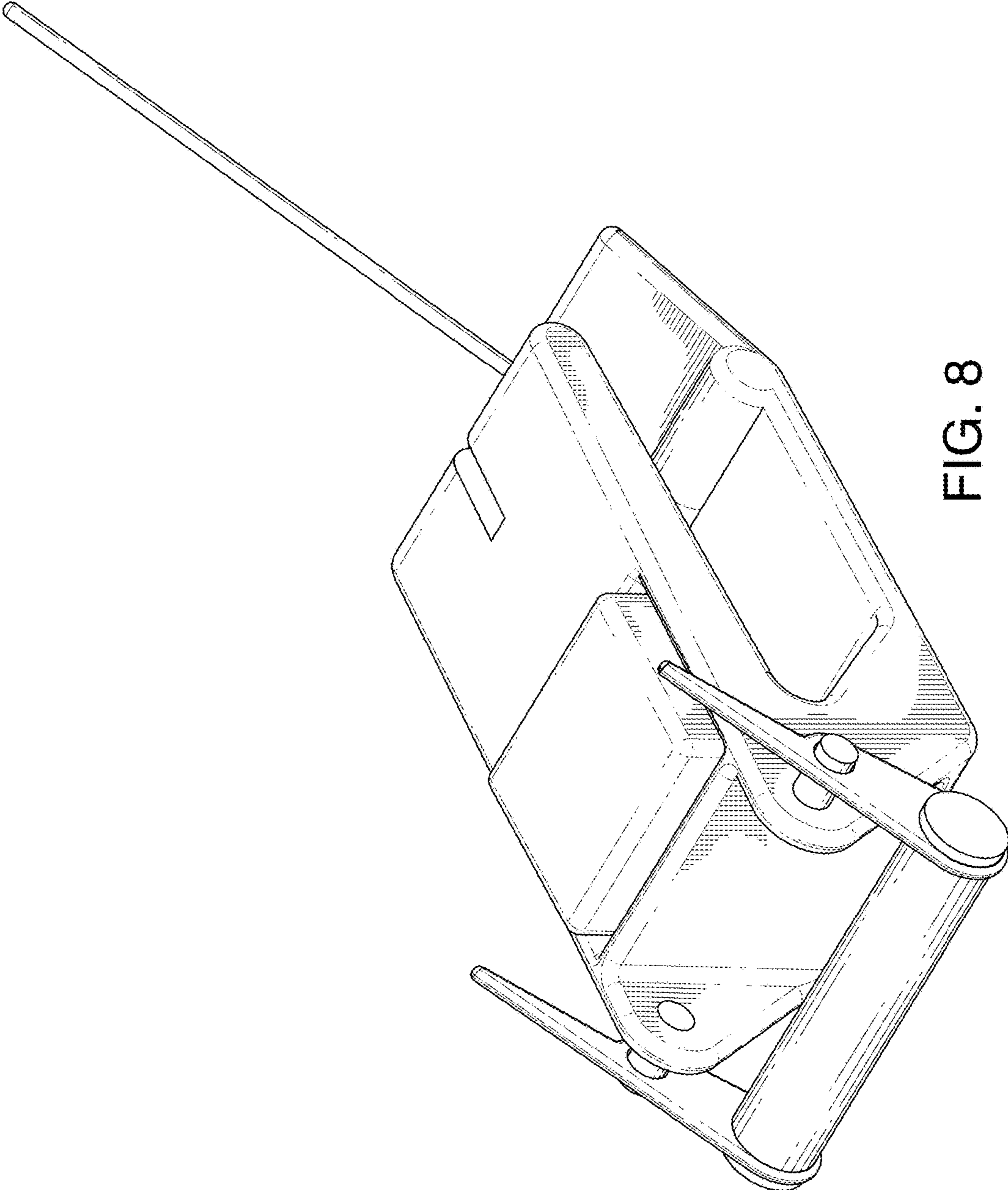


FIG. 8

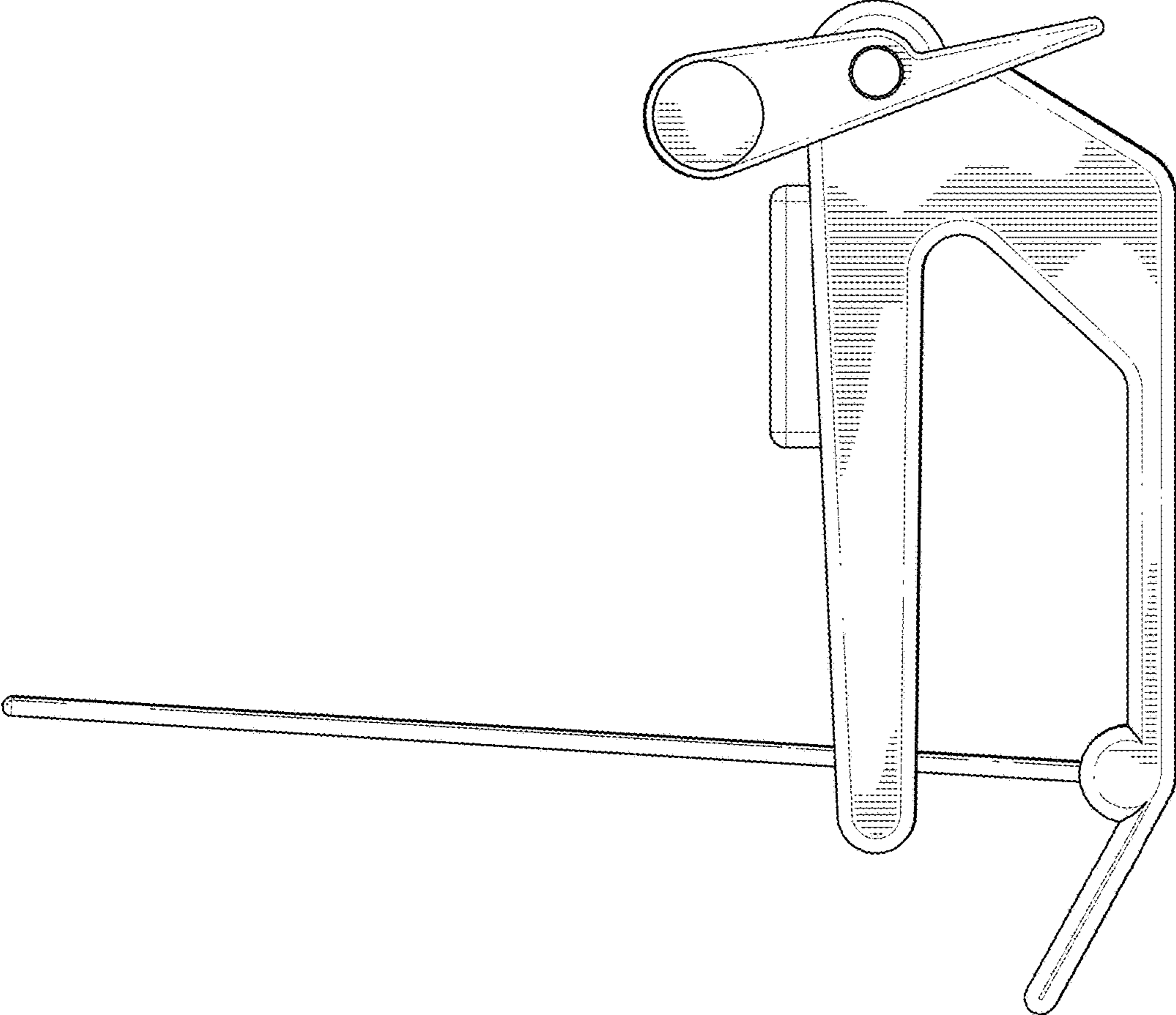


FIG. 9

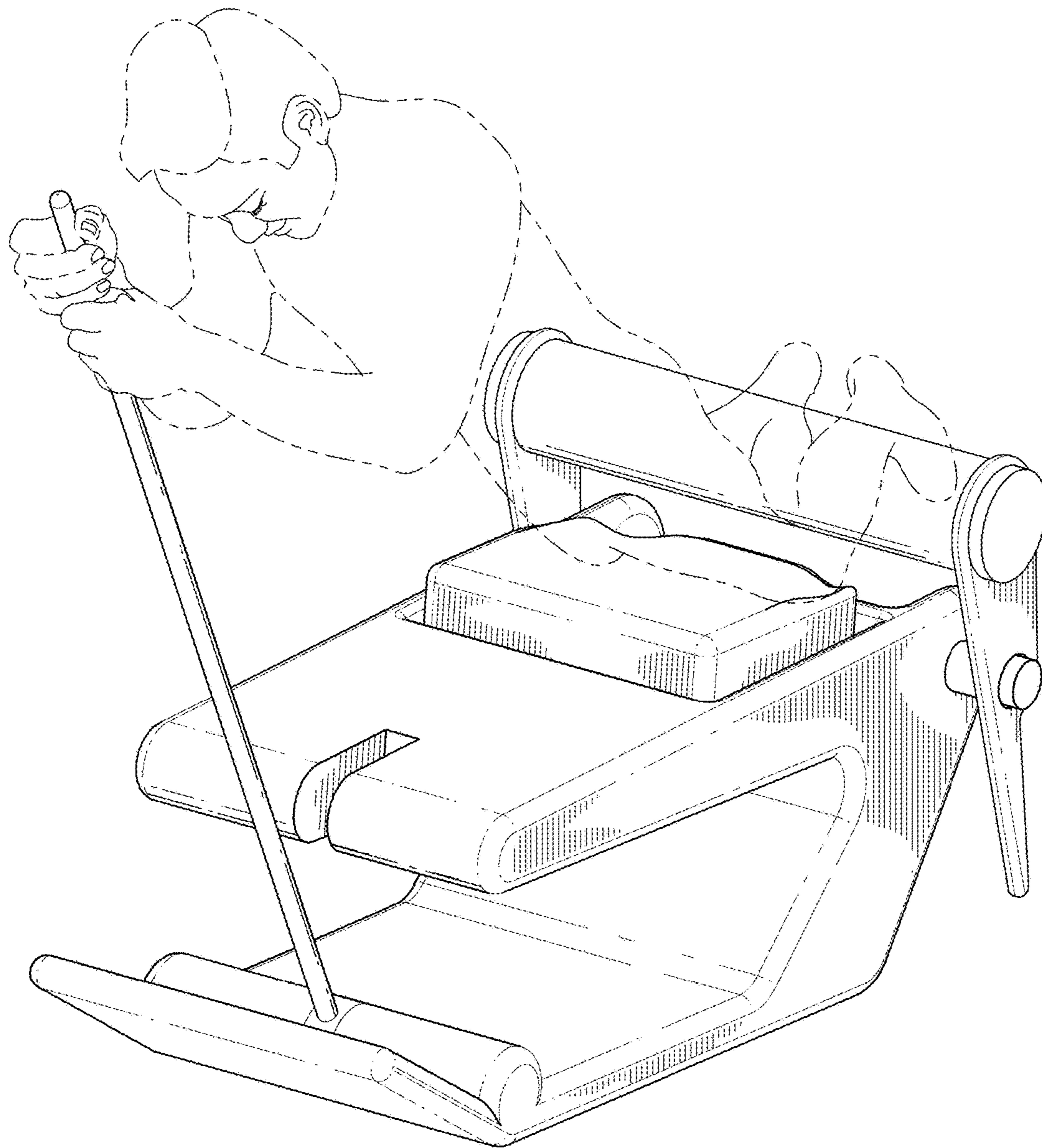


FIG. 10