



US00D813319S

(12) **United States Design Patent** (10) **Patent No.:** **US D813,319 S**
Morris (45) **Date of Patent:** **** Mar. 20, 2018**

- (54) **HOLLOW STACKING CUBE**
- (71) Applicant: **David M. Morris**, Foristell, MO (US)
- (72) Inventor: **David M. Morris**, Foristell, MO (US)
- (**) Term: **15 Years**
- (21) Appl. No.: **29/580,164**
- (22) Filed: **Oct. 6, 2016**
- (51) **LOC (11) Cl.** **21-01**
- (52) **U.S. Cl.**
USPC **D21/499**
- (58) **Field of Classification Search**
USPC D21/333, 373, 386, 389, 404, 468, 470,
D21/471, 475, 484-505; D3/304, 314;
D24/101; D9/640
CPC A63H 33/04; A63H 33/06; A63H 33/062;
A63H 33/08; A63H 33/088; A63F 9/12;
A63F 9/1224
See application file for complete search history.

- (56) **References Cited**
- U.S. PATENT DOCUMENTS
- | | | | | | |
|-----------|-----|---------|---------------|-------|------------------------|
| 319,764 | A * | 6/1885 | Westcott | | A63H 33/084
446/125 |
| 1,531,542 | A | 3/1925 | Cogshall | | |
| 2,132,757 | A | 10/1938 | Paulson | | |
| 3,139,698 | A | 7/1964 | Arnold | | |
| 3,148,477 | A | 9/1964 | Björn et al. | | |
| D235,570 | S * | 6/1975 | Barton | | D21/499 |
| D244,992 | S | 7/1977 | Van der Veken | | |
| D246,129 | S * | 10/1977 | Klamer | | D21/499 |
| 4,160,337 | A | 7/1979 | Fischer | | |
| 4,246,718 | A | 1/1981 | Chatani | | |
| 5,310,071 | A * | 5/1994 | Rivlin | | B65D 81/361
206/509 |
| 5,402,903 | A | 4/1995 | Mann | | |
| 5,503,288 | A | 4/1996 | Conconi | | |
| D384,996 | S * | 10/1997 | Munir | | D21/491 |

- | | | | | | |
|-----------|-----|---------|----------|-------|---------|
| D435,609 | S | 12/2000 | Sorensen | | |
| 6,447,360 | B1 | 9/2002 | Sorensen | | |
| D524,873 | S * | 7/2006 | Wickens | | D21/373 |
| D714,713 | S | 10/2014 | Tacon | | |
| D718,392 | S * | 11/2014 | Weiss | | D21/500 |
| D718,393 | S * | 11/2014 | Weiss | | D21/500 |
| D718,394 | S | 11/2014 | Weiss | | |
| D776,205 | S * | 1/2017 | Facey | | D21/499 |
- (Continued)

Primary Examiner — Cynthia M Chin
(74) *Attorney, Agent, or Firm* — Grace J. Fishel

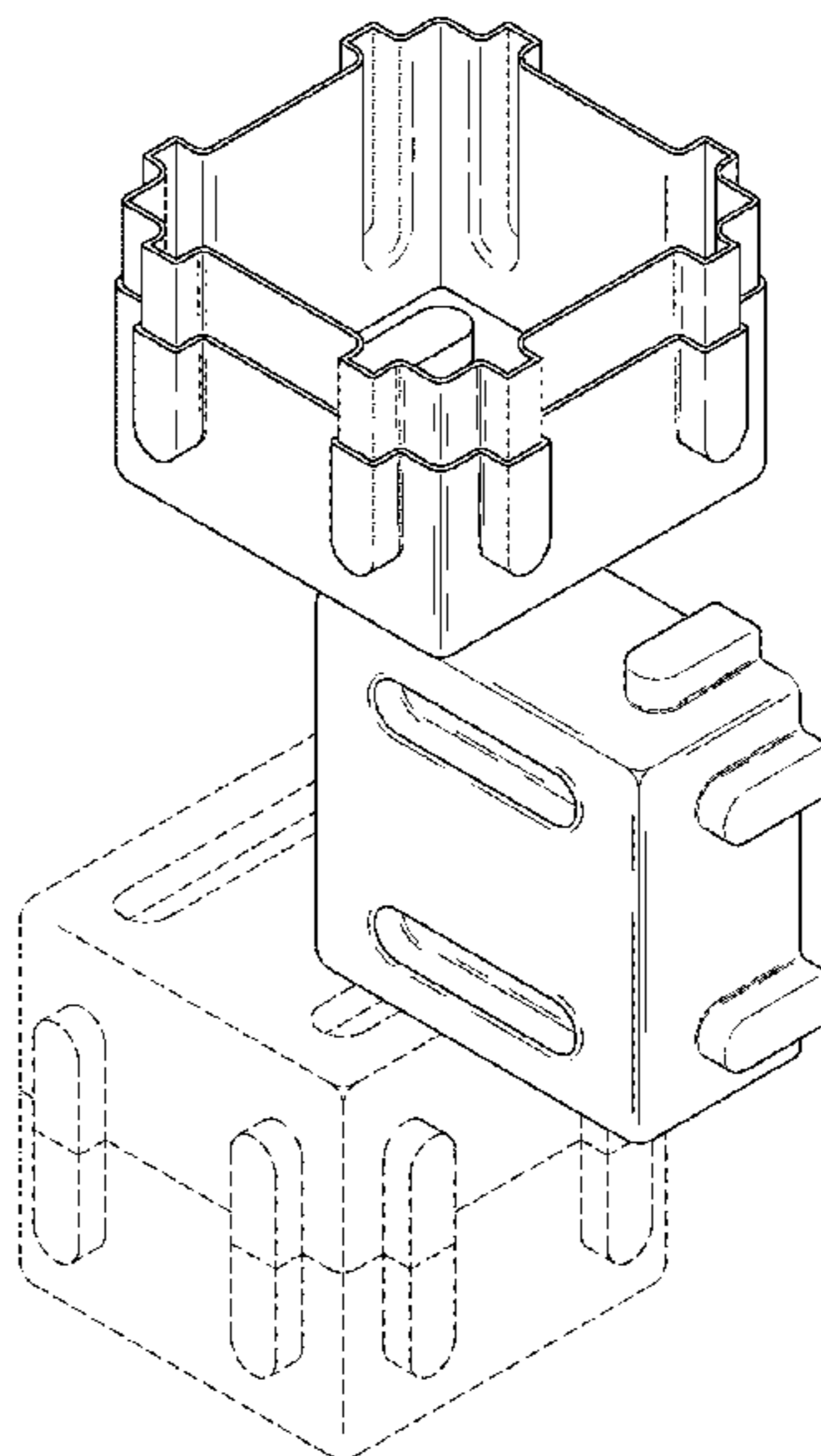
(57) **CLAIM**
The ornamental design for a hollow stacking cube, as shown and described.

DESCRIPTION

FIG. 1 is a perspective view of a hollow stacking cube showing my new design in use;
FIG. 2 is a top outside view of a first half shell forming the hollow stacking cube, said first half shell seen as the lower shell in FIG. 1;
FIG. 3 is a bottom inside view of the first half shell;
FIG. 4 is a side view of the first half shell, all sides being identical;
FIG. 5 is a top outside view of a second half shell forming the hollow stacking cube, said second half shell seen as the upper shell in FIG. 1;
FIG. 6 is a bottom inside view of the second half shell; and,
FIG. 7 is a side view of the second half shell, all sides being identical.

The hollow stacking cube shown in broken lines in FIG. 1 shows the first and second half shells coupled together to form an assembled unit.
The hollow stacking cube shown in broken lines in FIG. 1 shows the first and second half shells coupled together to form an assembled unit that forms no part of the claimed design.

1 Claim, 3 Drawing Sheets



(56)

References Cited

U.S. PATENT DOCUMENTS

2010/0210173 A1* 8/2010 Maggiore A63H 33/062
446/125

* cited by examiner

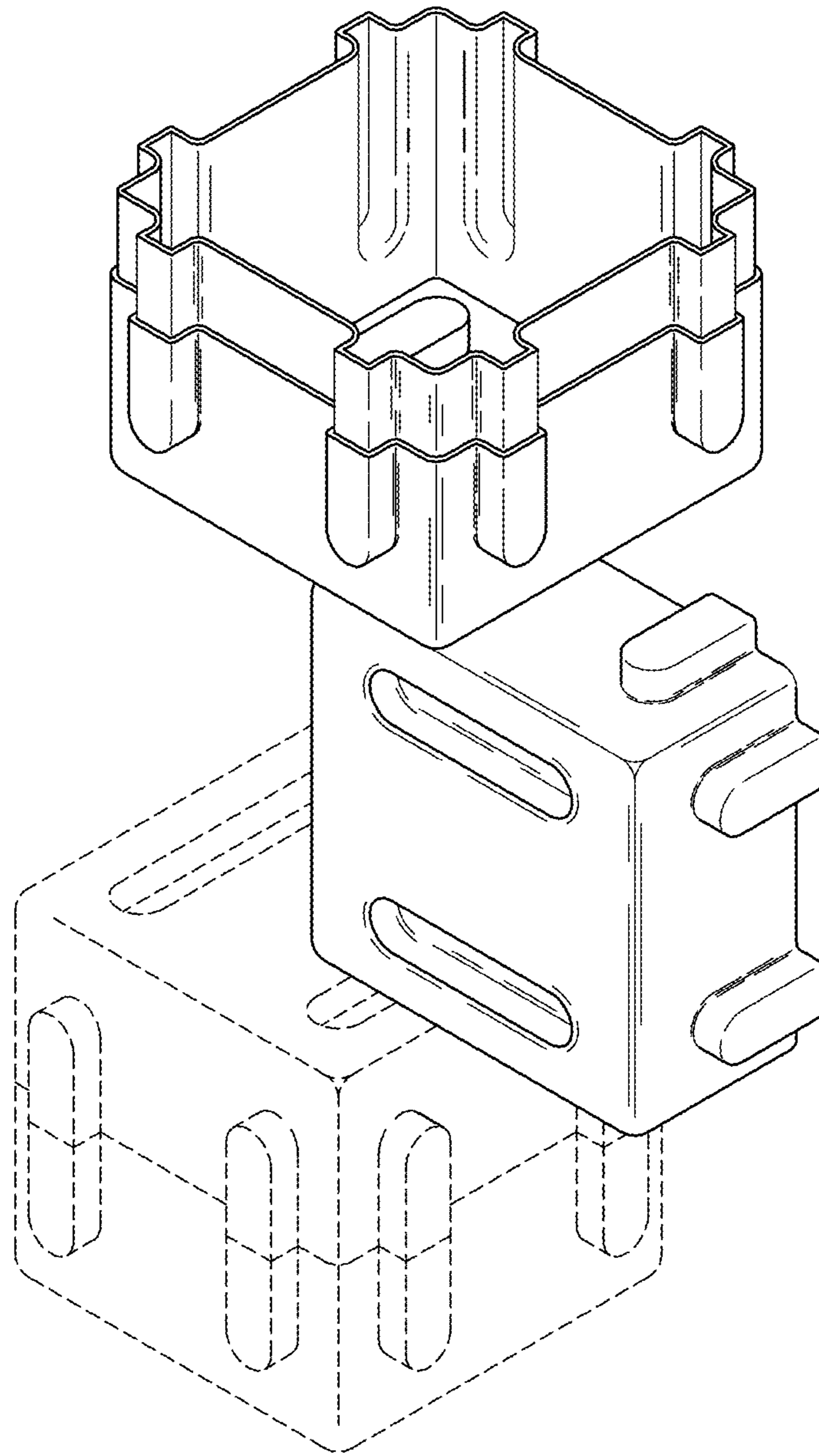


Fig. 1

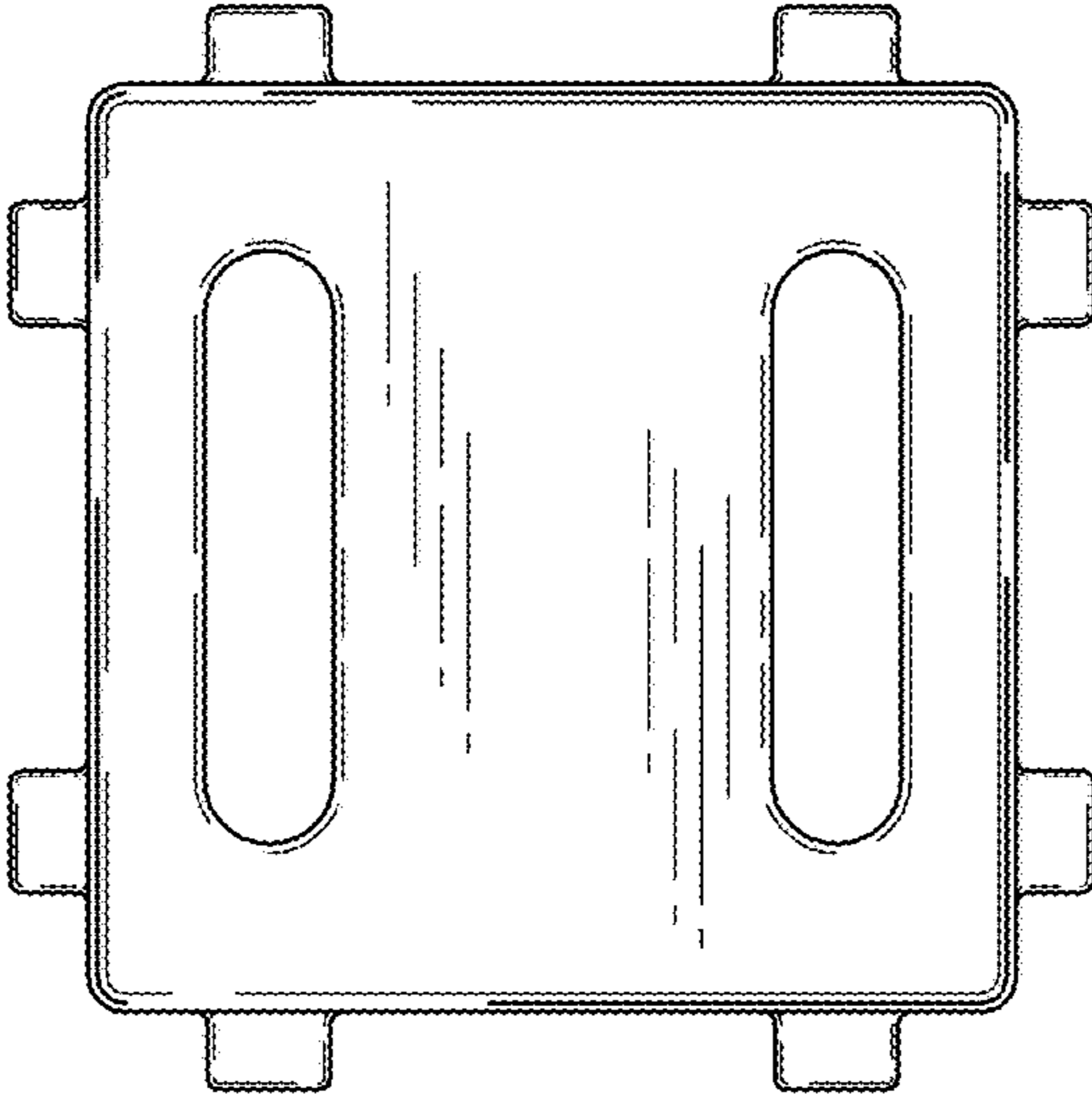


Fig. 2

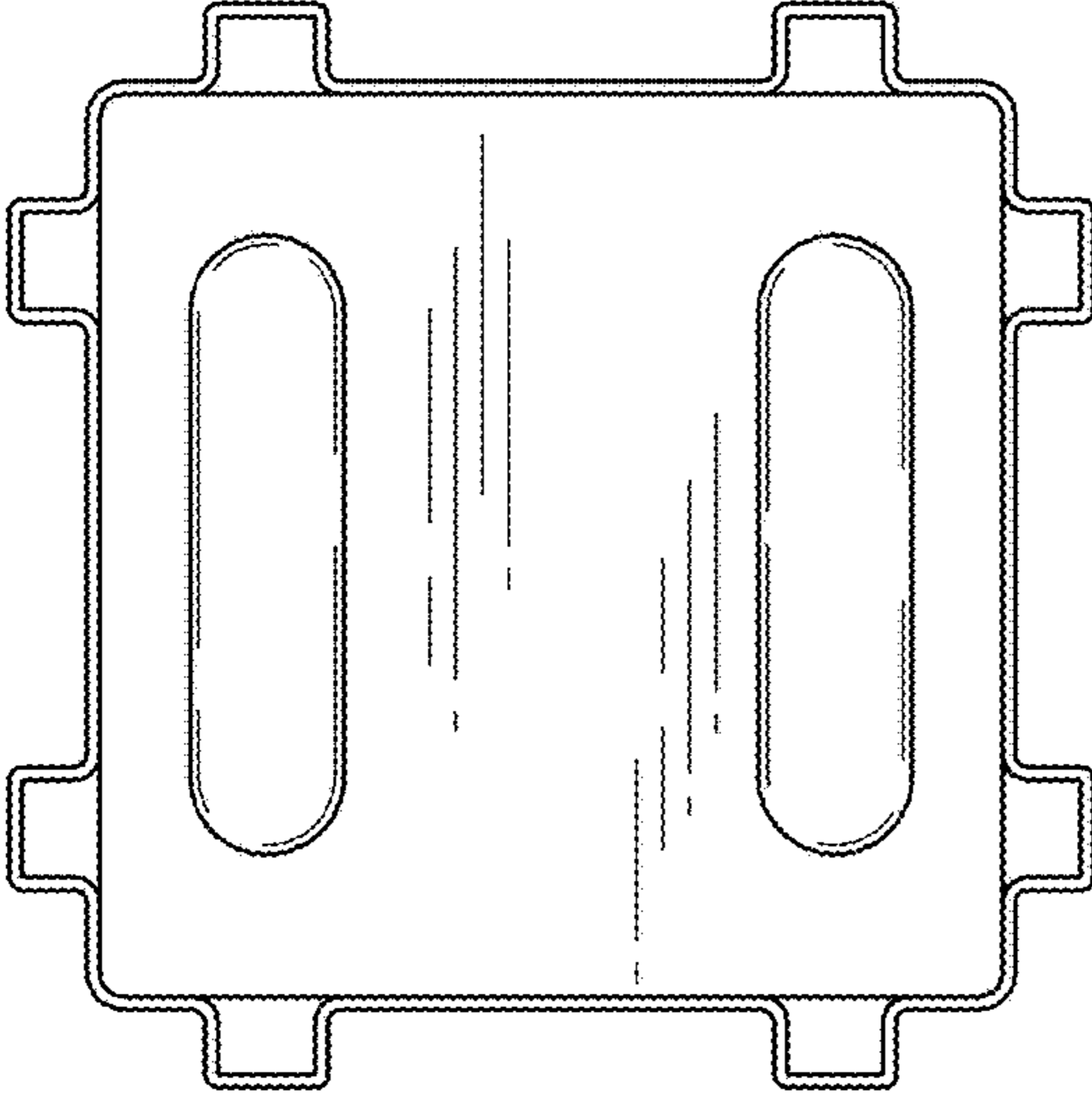


Fig. 3

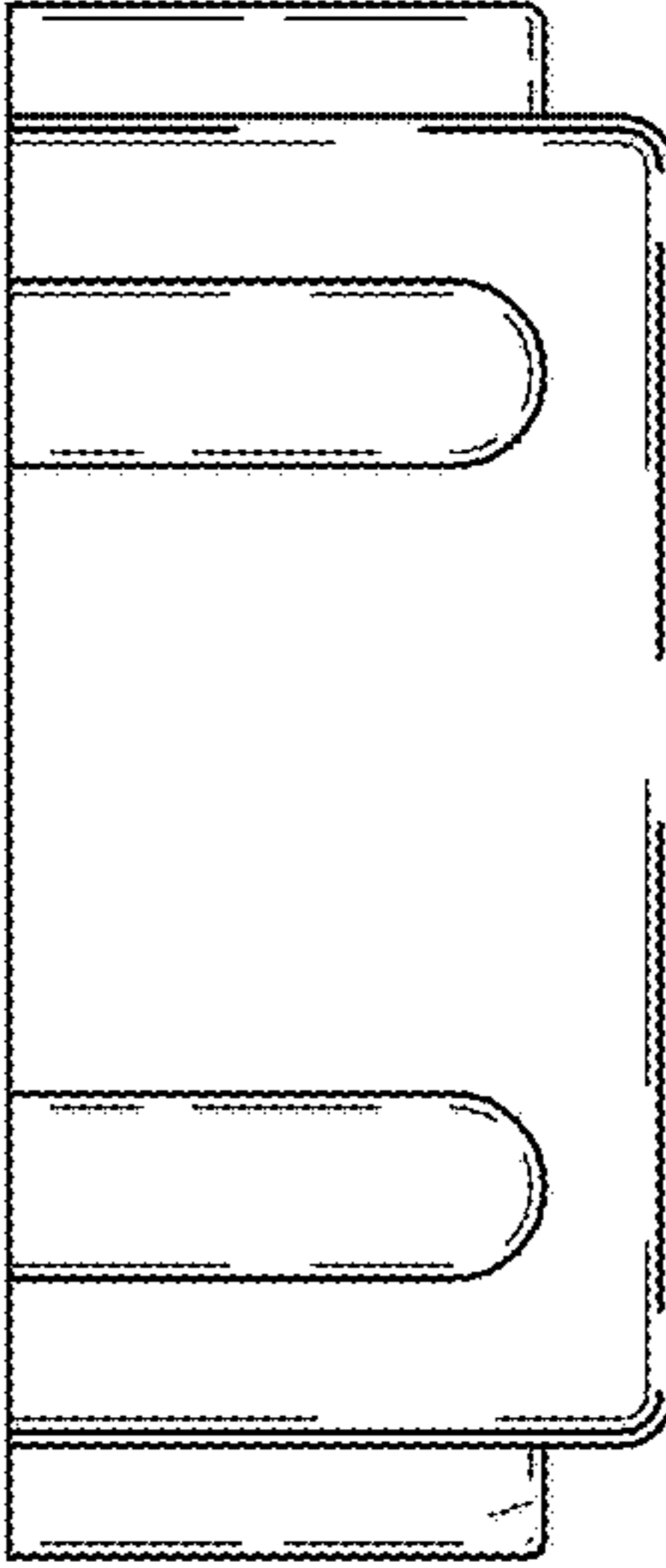


Fig. 4

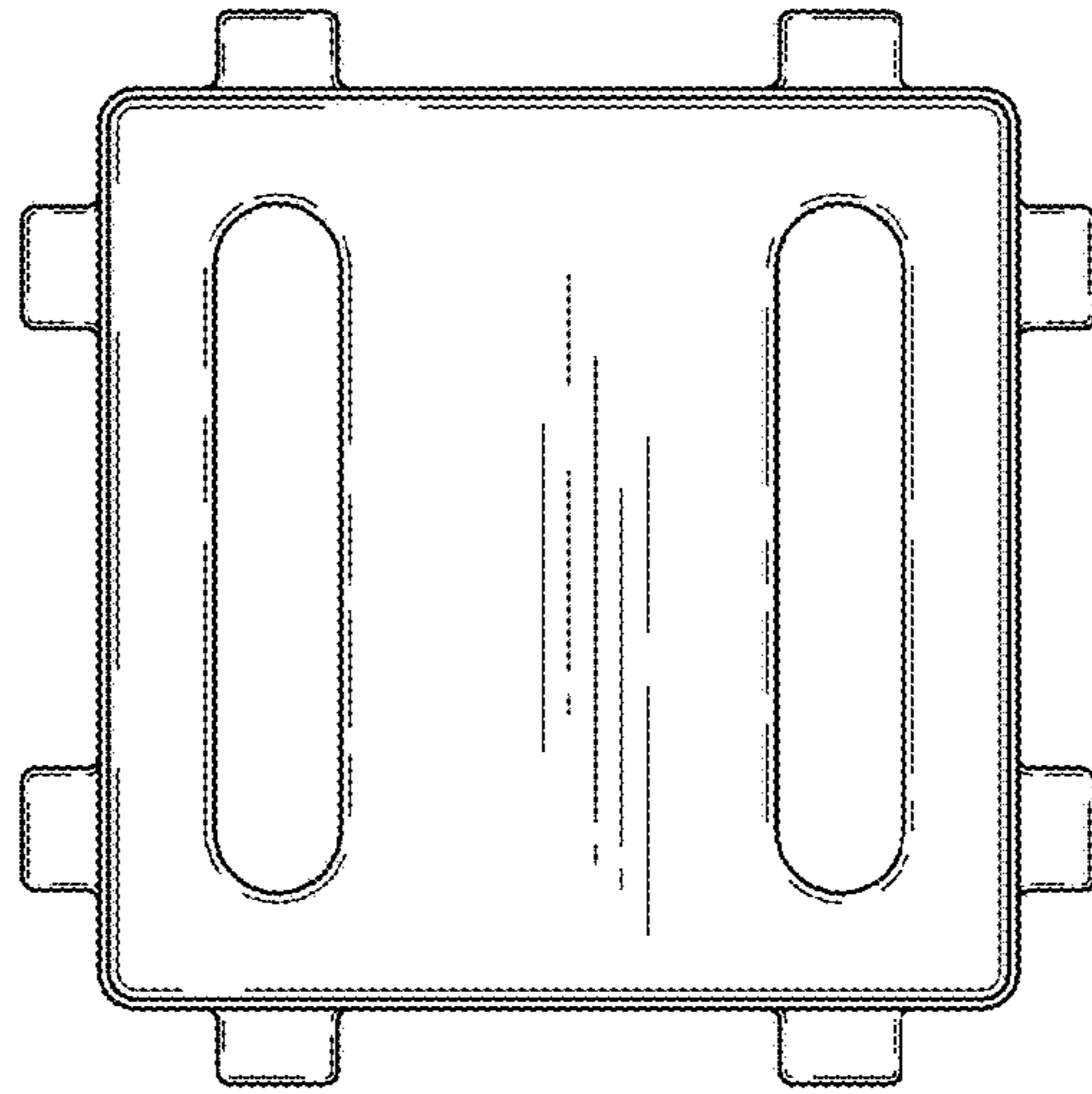


Fig. 5

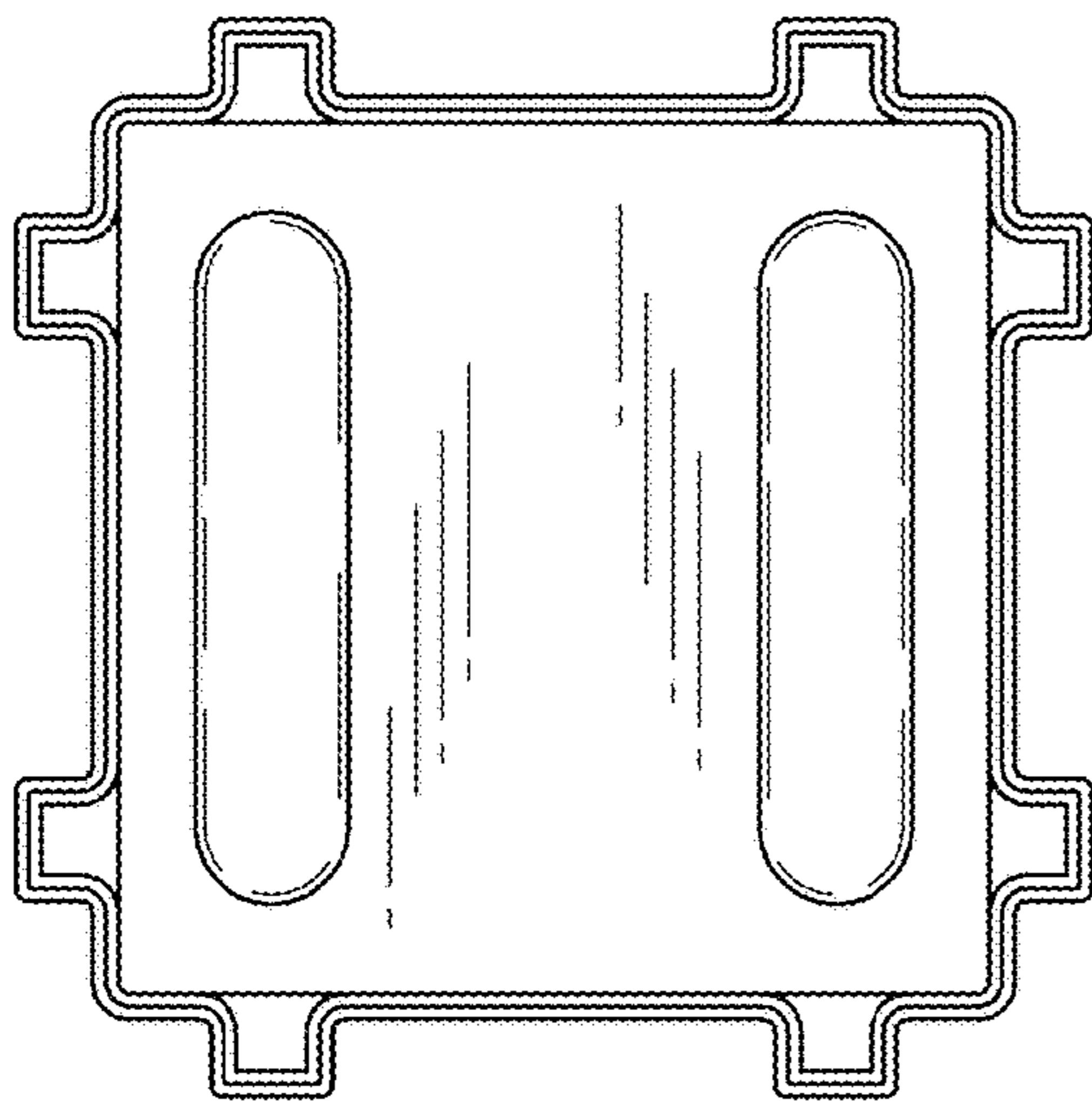


Fig. 6

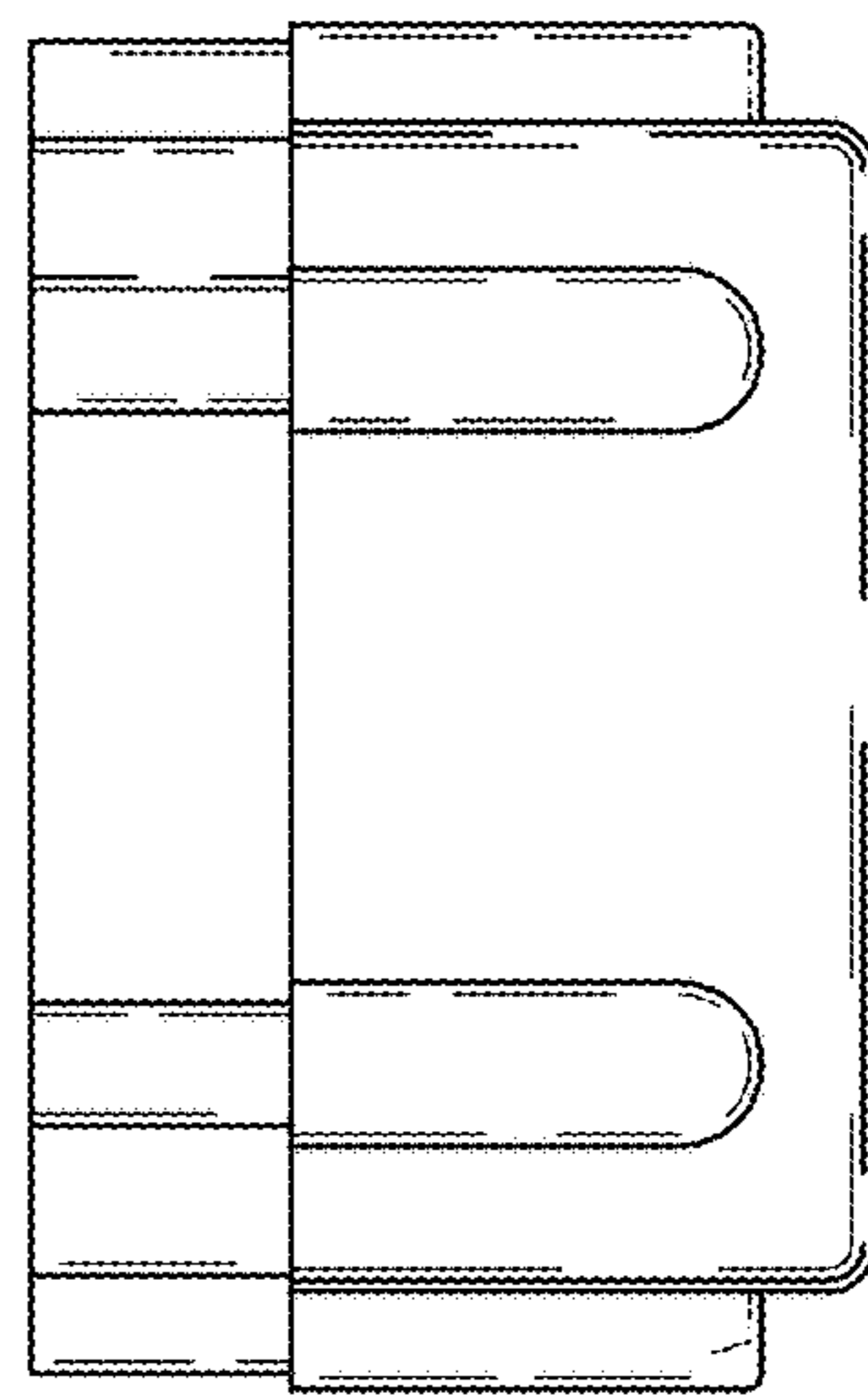


Fig. 7