



US00D813314S

(12) **United States Design Patent**  
**Montagne**

(10) **Patent No.:** **US D813,314 S**

(45) **Date of Patent:** **\*\* \*Mar. 20, 2018**

(54) **SLEDDING CART**

(71) Applicant: **Philippe Montagne**, Hong Kong (CN)

(72) Inventor: **Philippe Montagne**, Hong Kong (CN)

(\* ) Notice: This patent is subject to a terminal disclaimer.

(\*\*) Term: **14 Years**

(21) Appl. No.: **29/523,371**

(22) Filed: **Apr. 9, 2015**

(51) **LOC (11) Cl.** ..... **21-01**

(52) **U.S. Cl.**  
USPC ..... **D21/426**

(58) **Field of Classification Search**  
USPC ..... D21/419, 423, 424, 425, 426, 427, 428;  
280/87.01, 87.021, 218, 224, 225, 232,  
280/233, 242.1; D12/112  
CPC ..... A63G 13/00; A63G 13/06; A63G 13/10;  
A63G 15/00; A63G 15/02; A63G 15/04;  
B62B 7/00; B62B 7/002; B62B 7/004;  
B62B 7/006; B62B 7/008; B62B 7/02;  
B62B 7/04; B62B 7/042; B62B 7/044;  
B62B 7/06; B62B 7/12; B62B 7/126;  
B62B 7/14; B62B 7/142; B62B 7/145;  
B62B 7/147; B62B 9/00; B62B 9/28  
See application file for complete search history.

(56) **References Cited**

**U.S. PATENT DOCUMENTS**

D280,309 S \* 8/1985 Forbes ..... D12/112  
D437,364 S \* 2/2001 Jang ..... D21/424

D469,819 S \* 2/2003 Nicolle ..... D21/426  
D481,423 S \* 10/2003 Nien ..... D21/424  
D483,420 S \* 12/2003 DeLong ..... D21/424  
D582,992 S \* 12/2008 Alais ..... D21/426  
D682,746 S \* 5/2013 Doherty ..... D12/112  
D693,415 S \* 11/2013 Doherty ..... D21/435  
D706,876 S \* 6/2014 Grout ..... D21/426  
D716,382 S \* 10/2014 Herlitz ..... D21/426  
9,033,356 B2 \* 5/2015 Xiao ..... B62K 5/02  
280/253  
9,139,248 B2 \* 9/2015 Xiao ..... B62K 19/02  
2002/0113404 A1 \* 8/2002 Yang ..... B62K 9/00  
280/293

\* cited by examiner

*Primary Examiner* — Cynthia M Chin  
(74) *Attorney, Agent, or Firm* — Williams Intellectual Property; Benjamin F. Williams

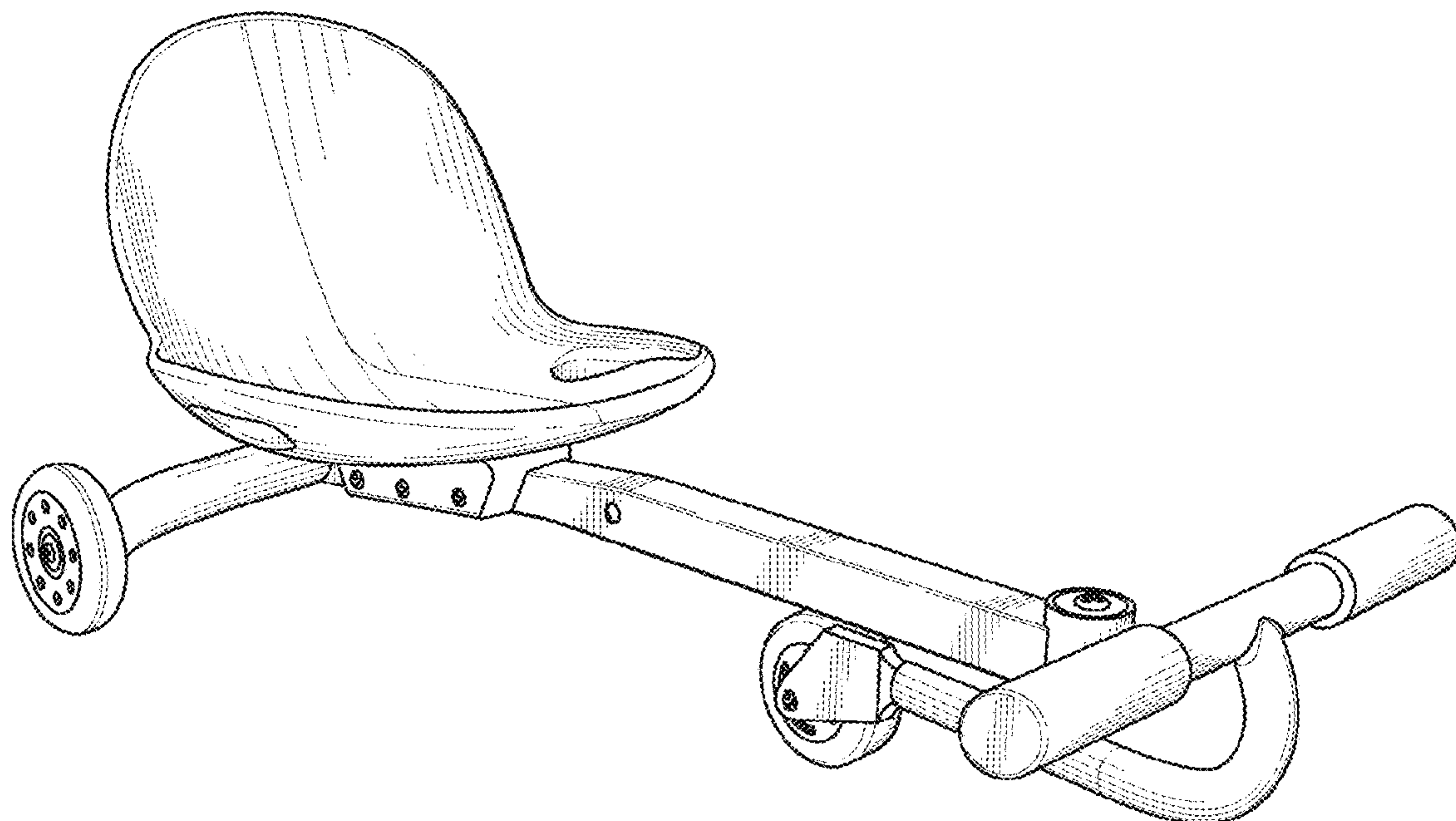
(57) **CLAIM**

The ornamental design for a sledding cart, as shown and described.

**DESCRIPTION**

FIG. 1 is a front isometric view of a voluble sledding cart illustrating a scooped seat adjustably positional atop a single frame bar and a pivotal front wheel steering bar;  
FIG. 2 is a front elevation view of the voluble sledding cart;  
FIG. 3 is a rear isometric view of the voluble sledding cart;  
FIG. 4 is a side elevation view of the voluble sledding cart;  
FIG. 5 is a side elevation view of the voluble sledding cart;  
FIG. 6 is a top elevation view of the voluble sledding cart;  
and,  
FIG. 7 is a bottom elevation view of the voluble sledding cart.

**1 Claim, 7 Drawing Sheets**



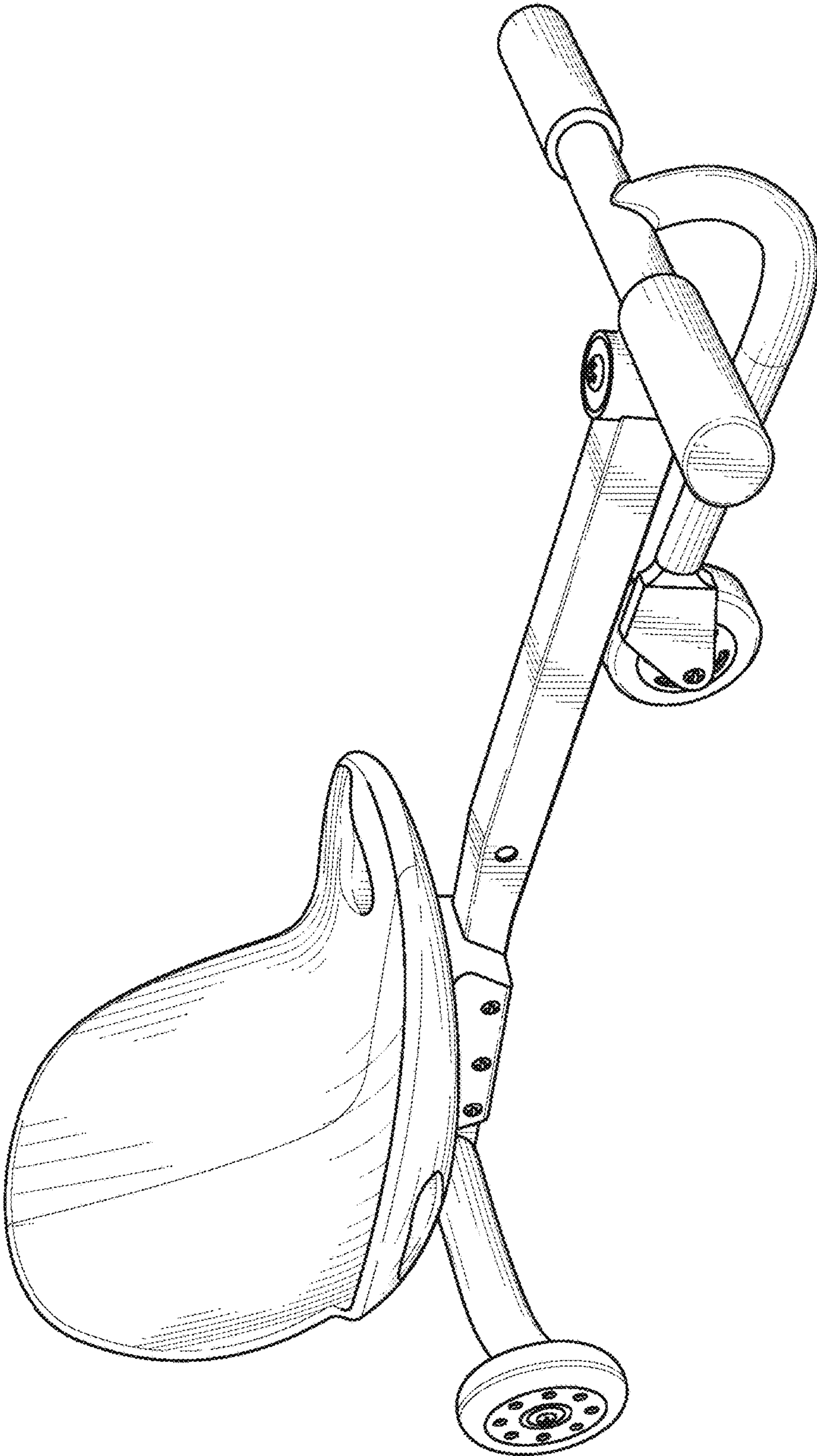


FIG. 1

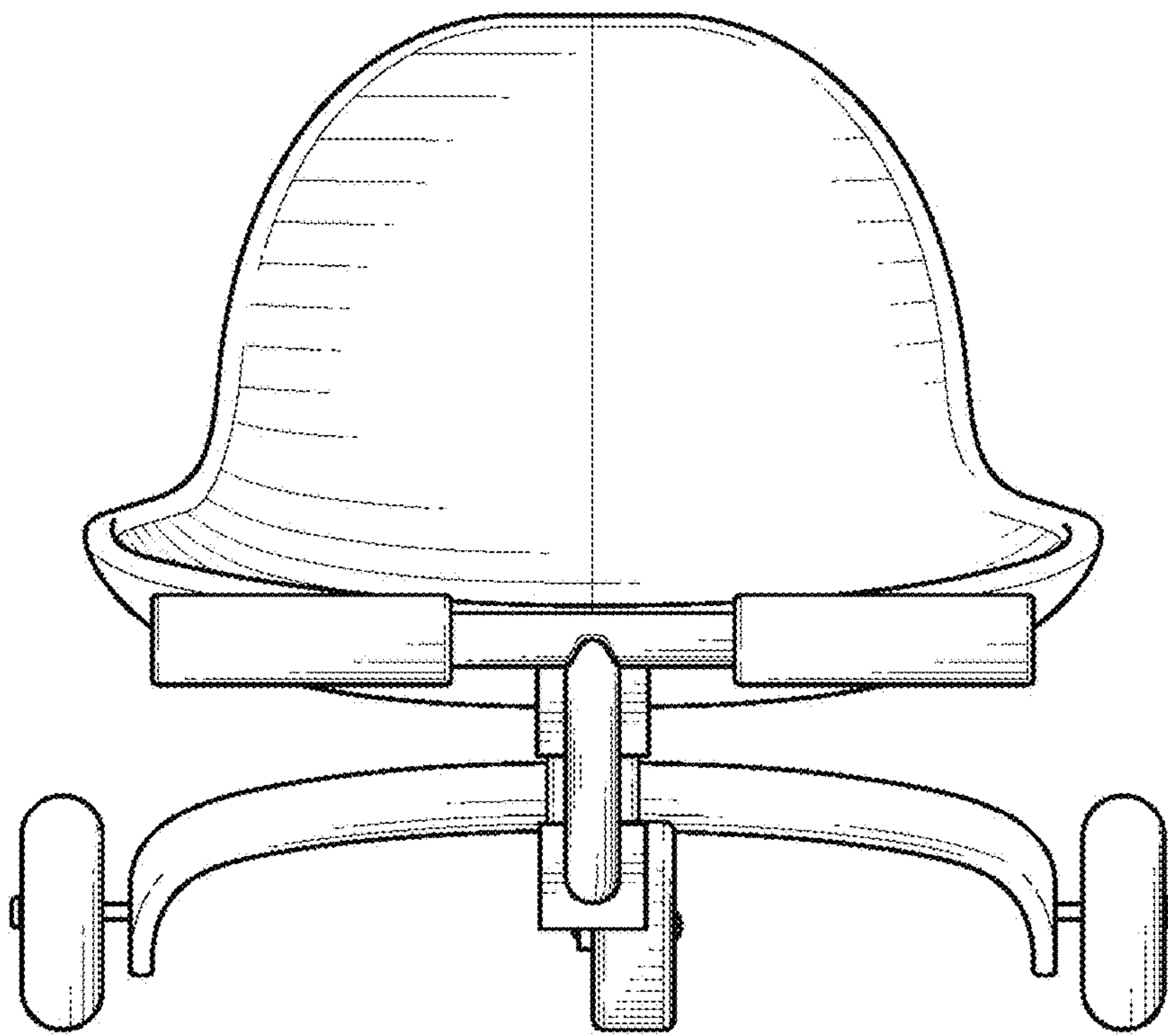


FIG. 2

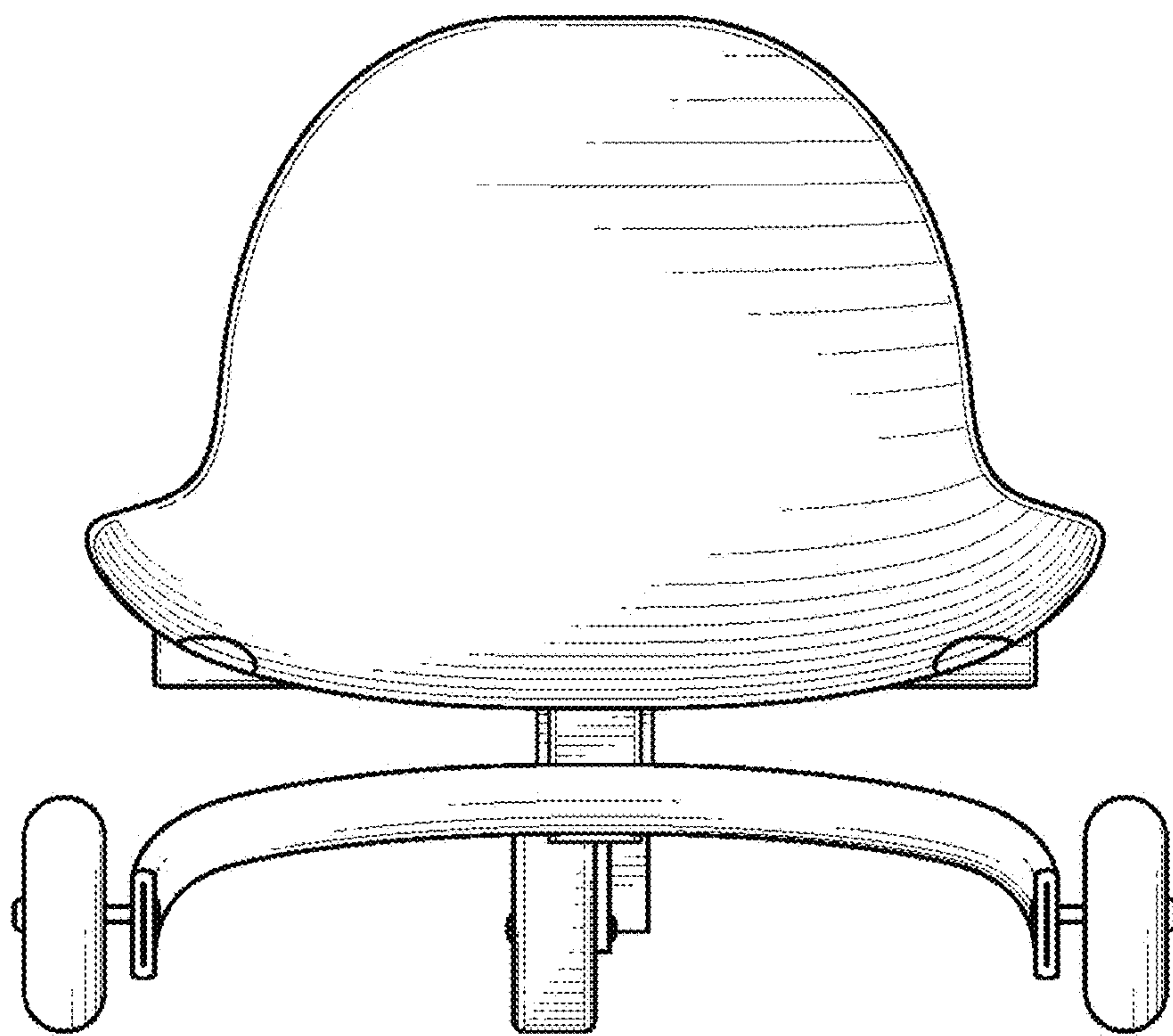


FIG. 3



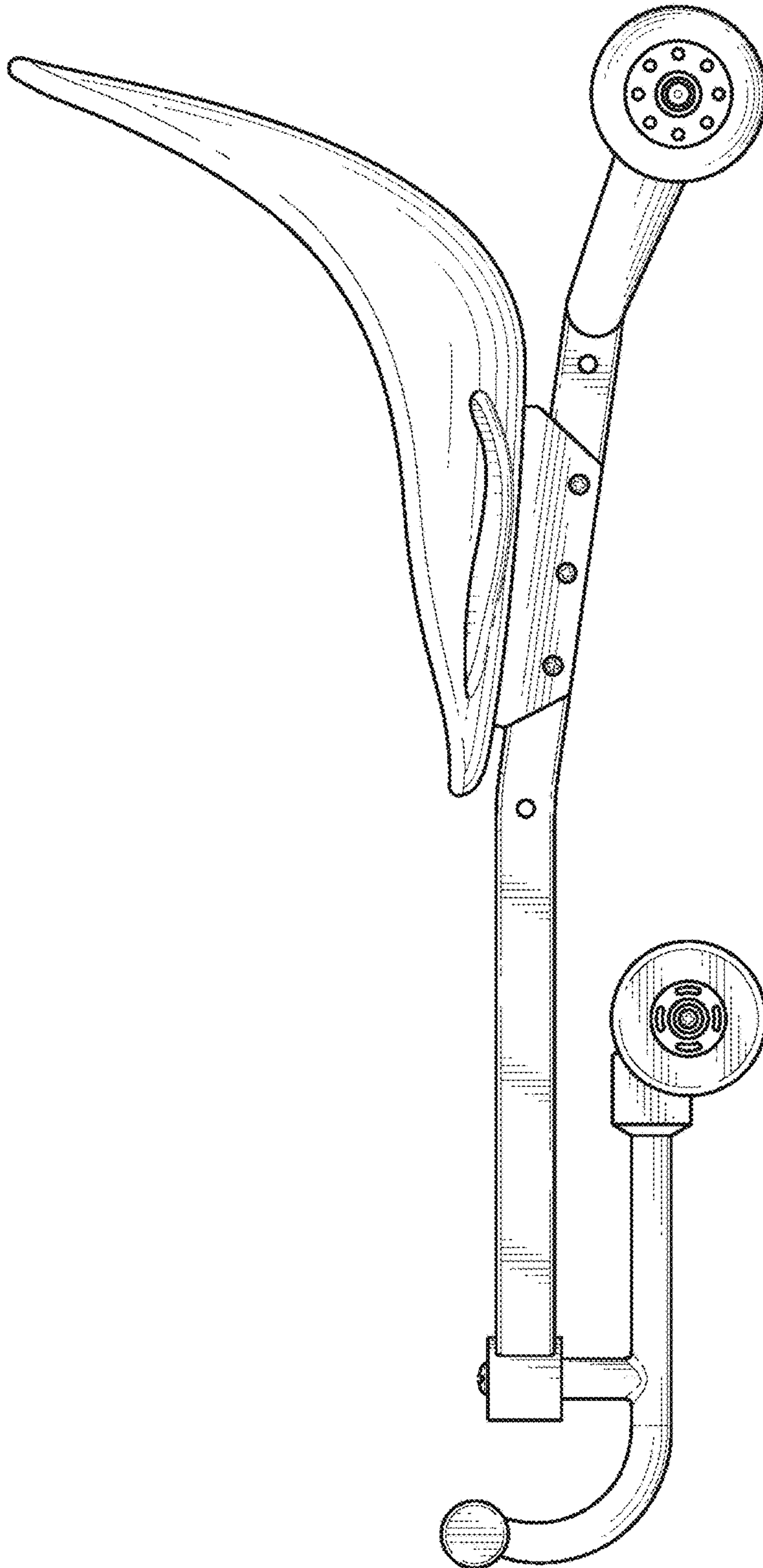


FIG. 4

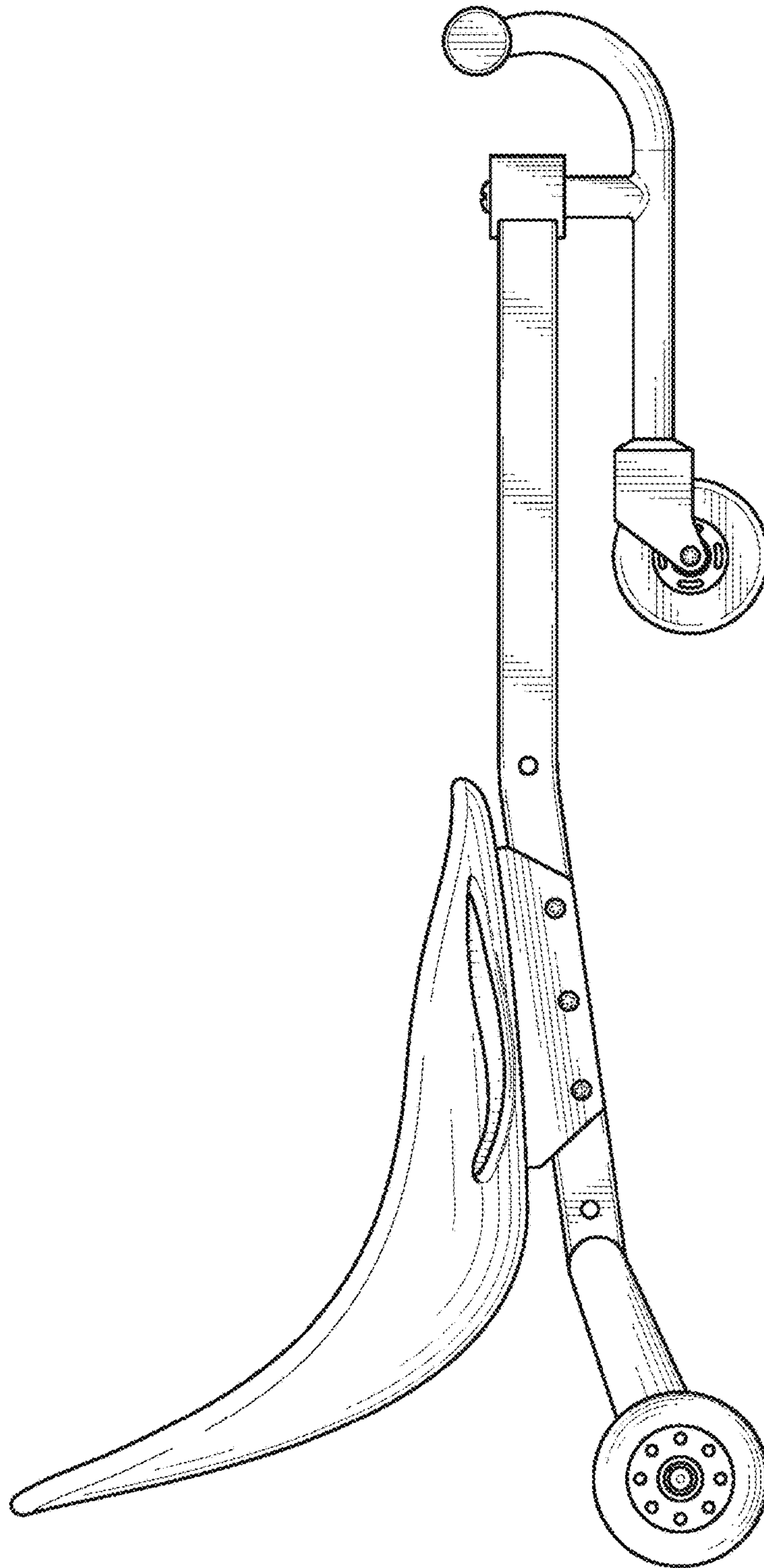


FIG. 5

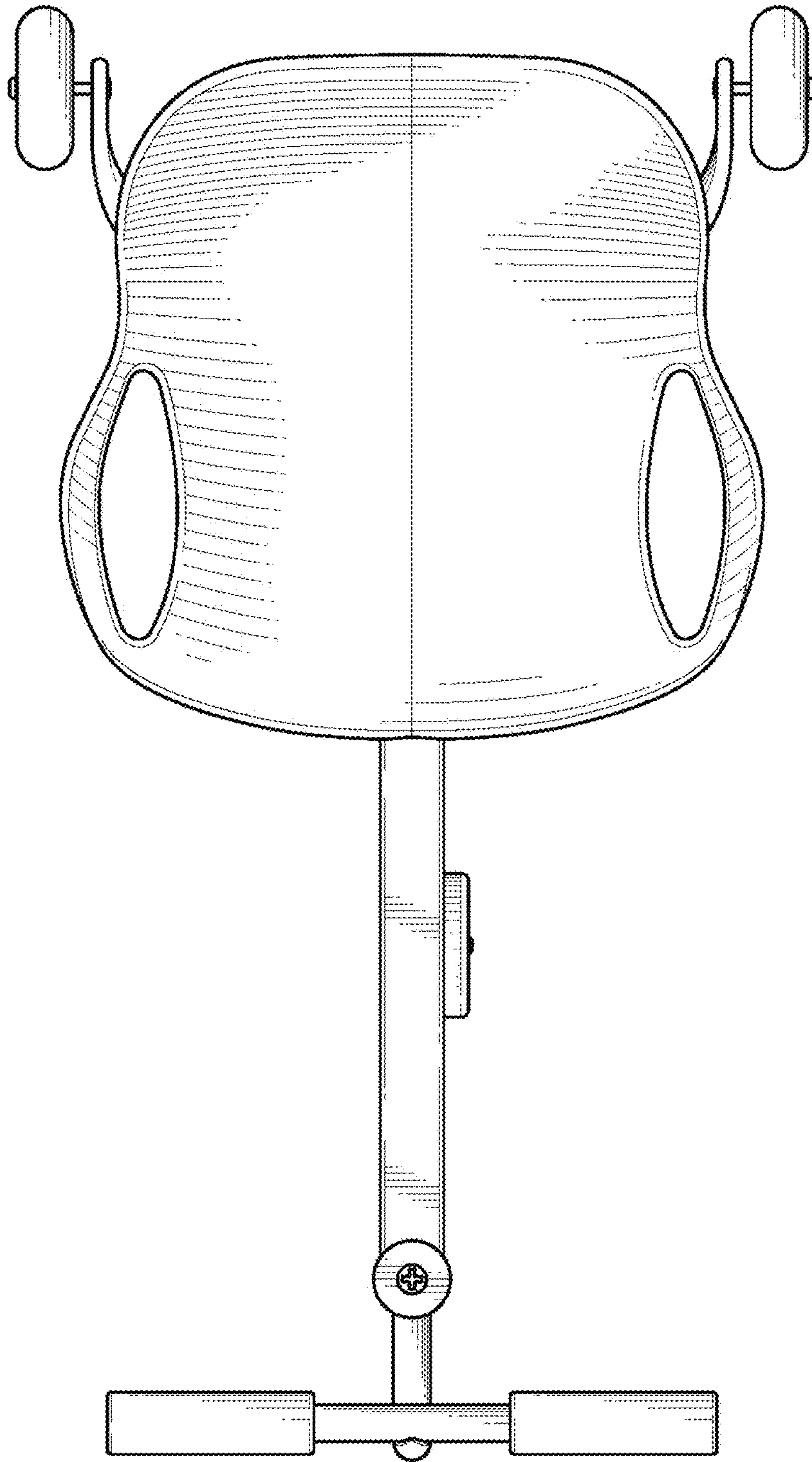


FIG. 6

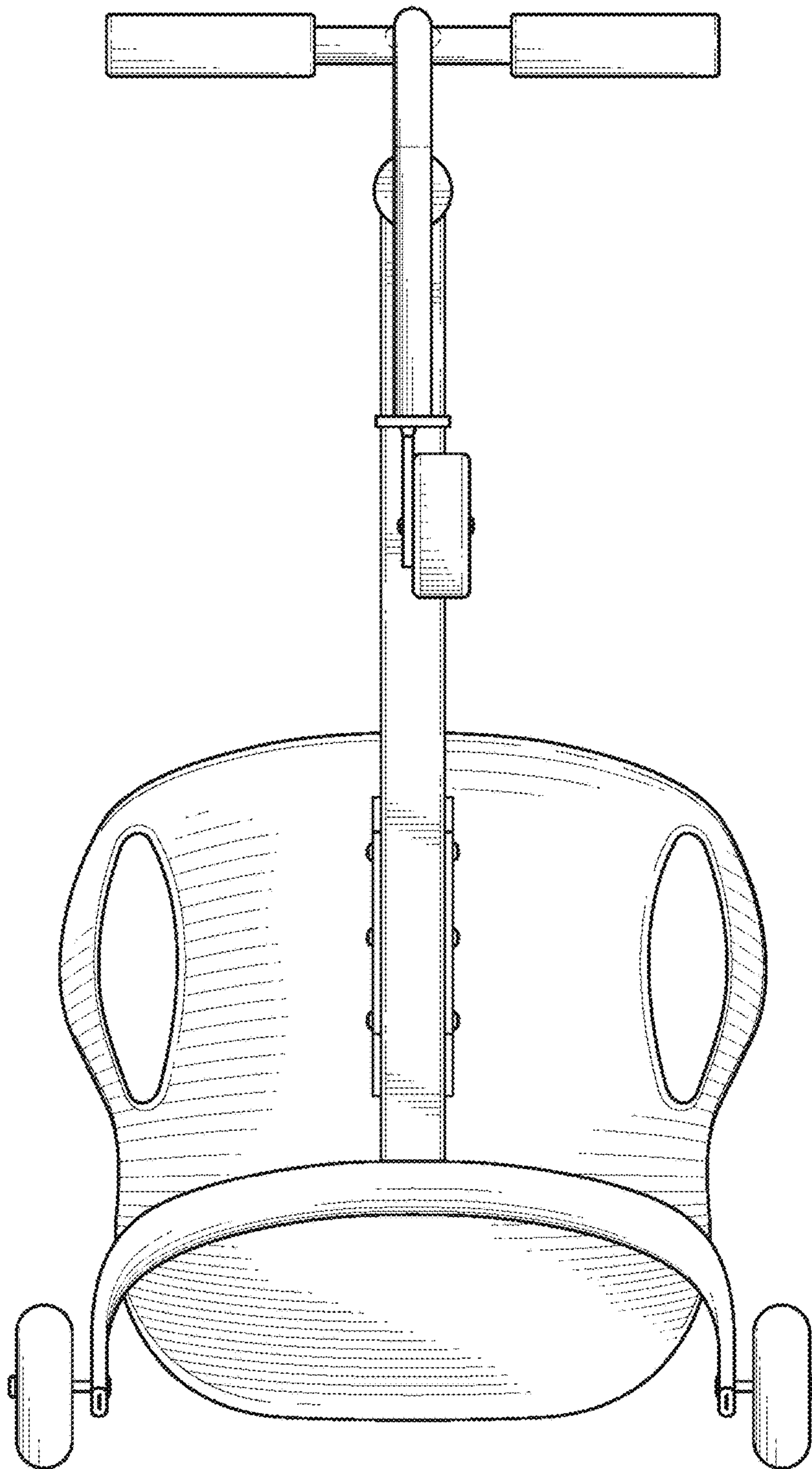


FIG. 7