



US00D813313S

(12) **United States Design Patent**
Bussey et al.

(10) **Patent No.:** **US D813,313 S**
(45) **Date of Patent:** **** Mar. 20, 2018**

(54) **GAMING MACHINE TOP BOX**
(71) Applicants: **Travis Bussey**, Austin, TX (US);
Michael Conway, Austin, TX (US);
Ryan Gaertner, Austin, TX (US)

D649,604 S * 11/2011 Ortiz D21/370
D673,619 S * 1/2013 Seelig D21/369
D673,620 S * 1/2013 Johnson D21/369
D673,621 S * 1/2013 Johnson D21/369
D678,955 S * 3/2013 Lesley D21/385
(Continued)

(72) Inventors: **Travis Bussey**, Austin, TX (US);
Michael Conway, Austin, TX (US);
Ryan Gaertner, Austin, TX (US)

OTHER PUBLICATIONS

Skyline by everi dated no date given. Found online [Feb. 20, 2017]
<http://www.everi.com/games/top-boxes/skyline/>.*

(73) Assignee: **Everi Games Inc.**, Austin, TX (US)

Primary Examiner — Robert M. Spear
Assistant Examiner — Ryan Harvey

(**) Term: **15 Years**

(74) *Attorney, Agent, or Firm* — Nathan Calvert, Esq.; J
P Cody, Esq.; Russell D. Culbertson, Esq.

(21) Appl. No.: **29/540,970**

(22) Filed: **Sep. 29, 2015**

(51) **LOC (11) Cl.** **21-03**

(57) **CLAIM**

(52) **U.S. Cl.**
USPC **D21/369**; D21/385

The ornamental design for a gaming machine top box, as shown and described.

(58) **Field of Classification Search**
USPC D21/369, 370, 371, 385, 329, 325, 394;
D14/307, 172, 129, 325, 401, 371, 126,
D14/439, 432, 450, 128, 375; 463/28,
463/13, 11, 16, 20, 25, 31, 46, 23, 30, 17,
463/36, 29, 42, 34, 32, 35, 19, 21, 22;
273/292, 203, 138.2, 143 R, 142 R, 138.1;
D19/60; D16/226; D8/335, 331, 334;
D26/14
CPC G07F 17/32; G07F 17/34; G07F 17/3211;
G07F 17/3244; G07F 17/3267
See application file for complete search history.

DESCRIPTION

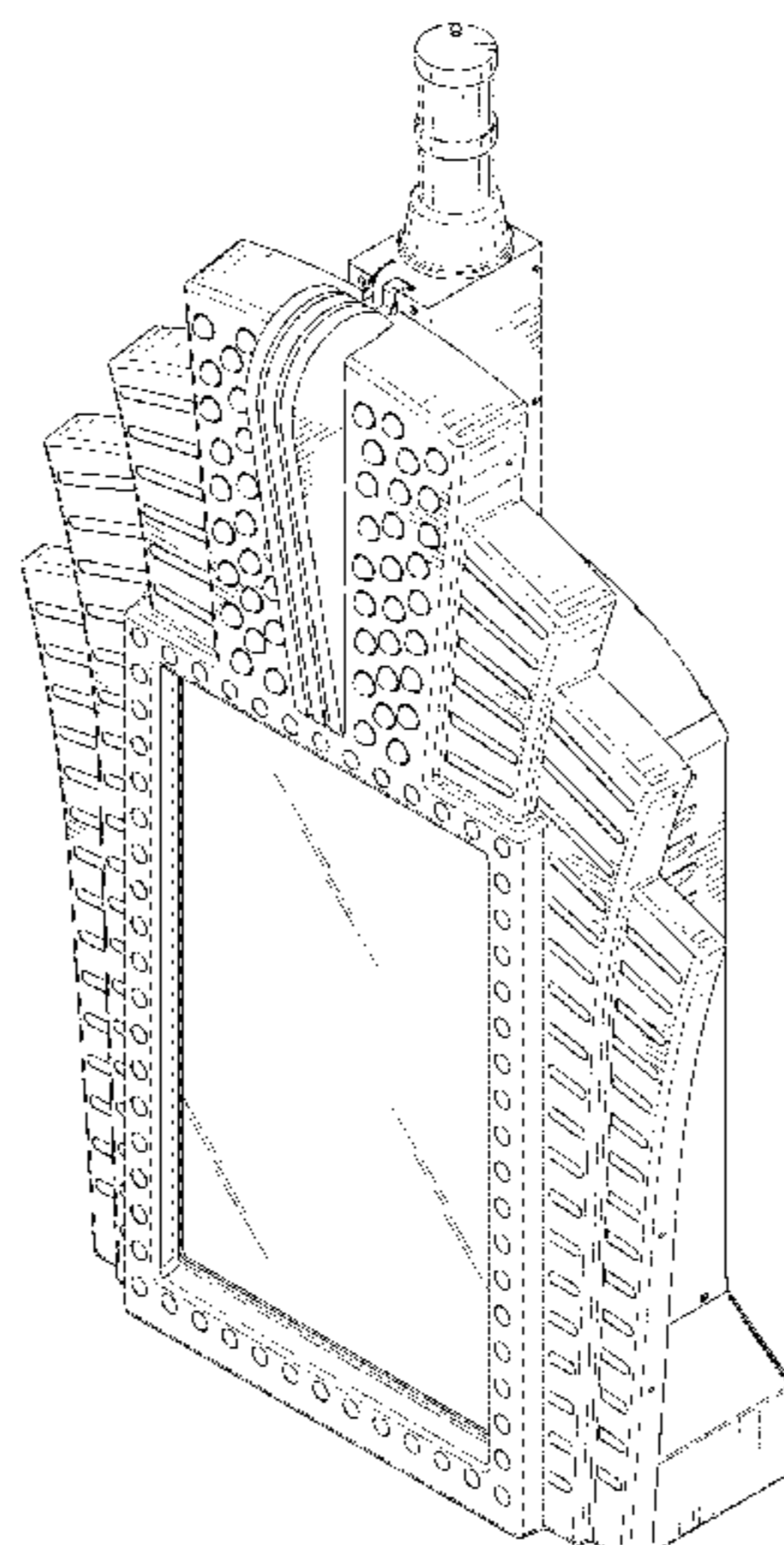
FIG. 1 is a right perspective view from the front and above a gaming machine top box showing the new design.
FIG. 2 is a front view of the gaming machine top box shown in FIG. 1.
FIG. 3 is a rear view of the gaming machine top box shown in FIG. 1.
FIG. 4 is a right side view of the gaming machine top box shown in FIG. 1.
FIG. 5 is a top view of the gaming machine top box shown in FIG. 1.
FIG. 6 is a bottom view of the gaming machine top box shown in FIG. 1; and,
FIG. 7 is a right perspective view from the front and above the gaming machine top box shown in FIG. 1, as mounted on a gaming machine.
The broken line features in FIGS. 2-4 and 6, and the gaming machine in FIG. 7 depict environment and form no part of the claim.

(56) **References Cited**

U.S. PATENT DOCUMENTS

D327,508 S * 6/1992 Mirando D21/325
D508,268 S * 8/2005 Hanchar D21/369
D525,665 S * 7/2006 Karlsson D21/329
D557,348 S * 12/2007 Gutknecht D21/370
D591,360 S * 4/2009 Fiore D21/370
D601,637 S * 10/2009 Myers D21/370
D622,782 S * 8/2010 Chudek D21/385
D637,238 S * 5/2011 O'Keene D21/370

1 Claim, 6 Drawing Sheets



(56)

References Cited

U.S. PATENT DOCUMENTS

D678,956	S *	3/2013	Lesley	D21/385
D678,957	S *	3/2013	Cesaroni	D21/385
D678,958	S *	3/2013	Cesaroni	D21/385
D681,130	S *	4/2013	Lesley	D21/385
D682,948	S *	5/2013	Cesaroni	D21/385
D706,359	S *	6/2014	Wudtke	D21/369
8,851,989	B2 *	10/2014	Rosander	G07F 17/3216 463/31
D719,617	S *	12/2014	Inoue	D21/369
D723,626	S *	3/2015	Vasquez	D21/370
9,033,784	B2 *	5/2015	Vancura	G07F 17/3293 273/292
2006/0079316	A1 *	4/2006	Flemming	G07F 17/32 463/25
2006/0178205	A1 *	8/2006	Bleich	G07F 17/32 463/22
2006/0281559	A1 *	12/2006	Luciano	G07F 17/3216 463/46
2008/0113794	A1 *	5/2008	Cole	G07F 17/3216 463/31
2013/0084948	A1 *	4/2013	Watkins	G07F 17/3276 463/23
2017/0039803	A1 *	2/2017	Lesley	G07F 17/3211

* cited by examiner

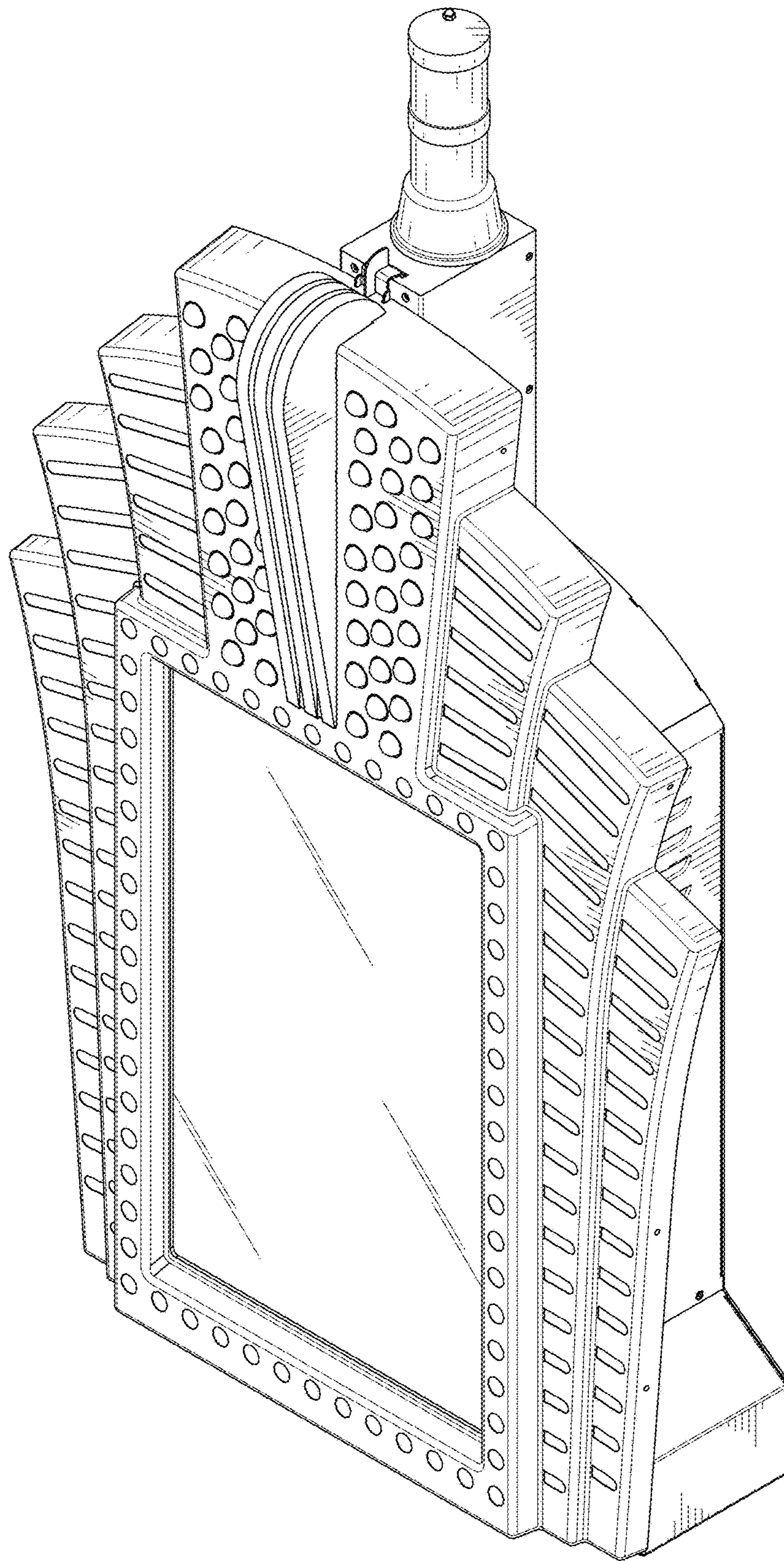


FIG. 1

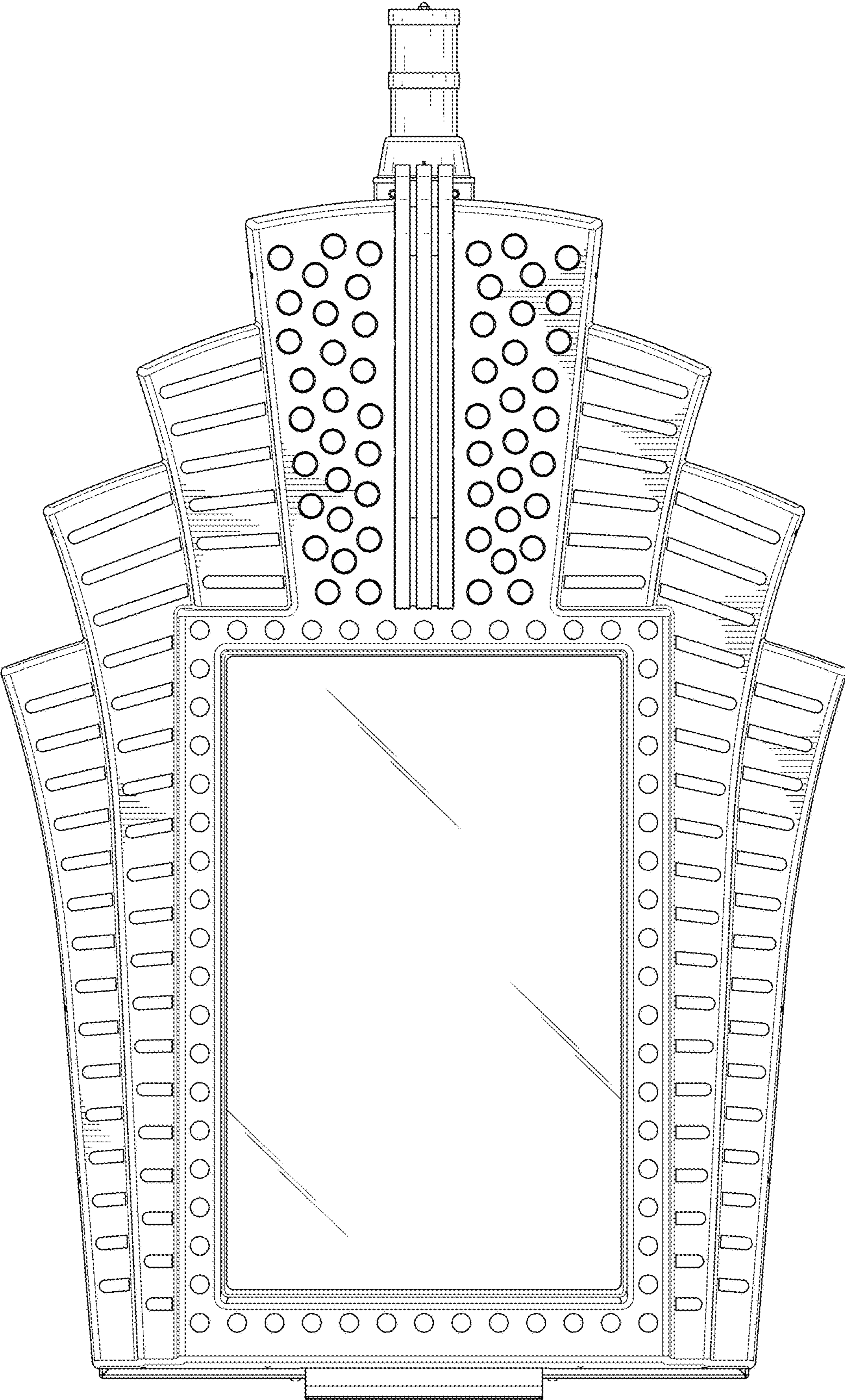


FIG. 2

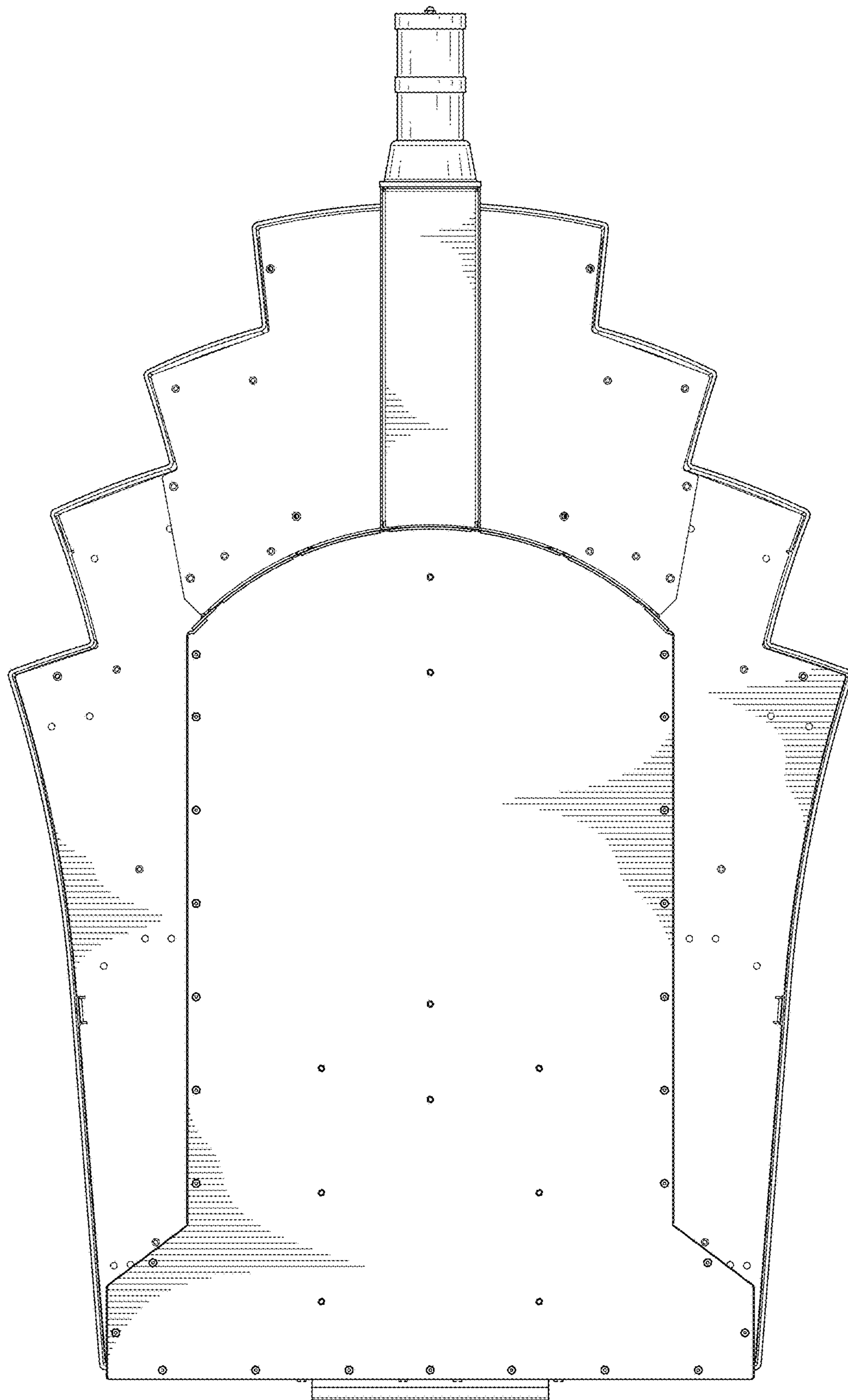


FIG.3

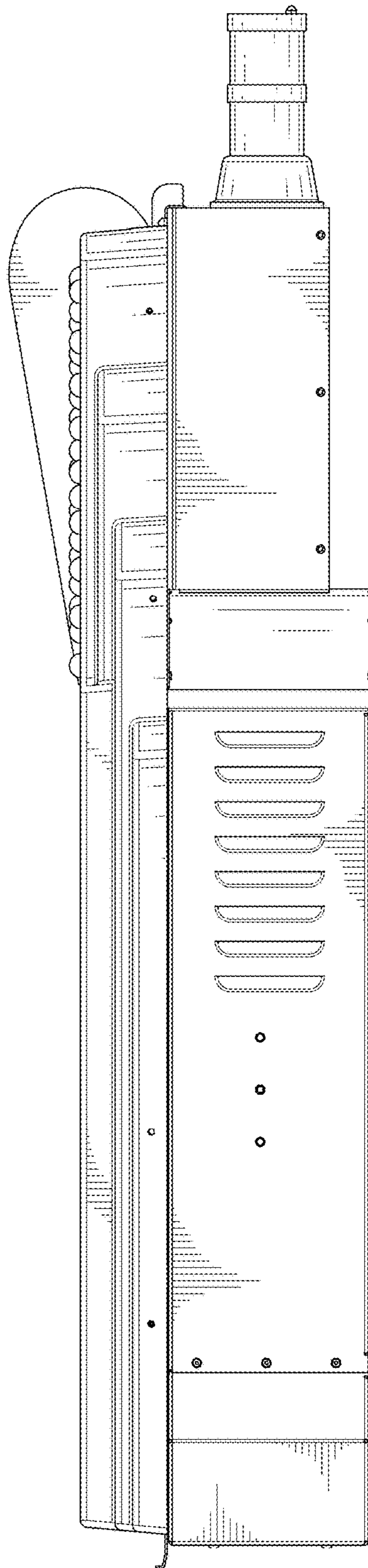


FIG.4

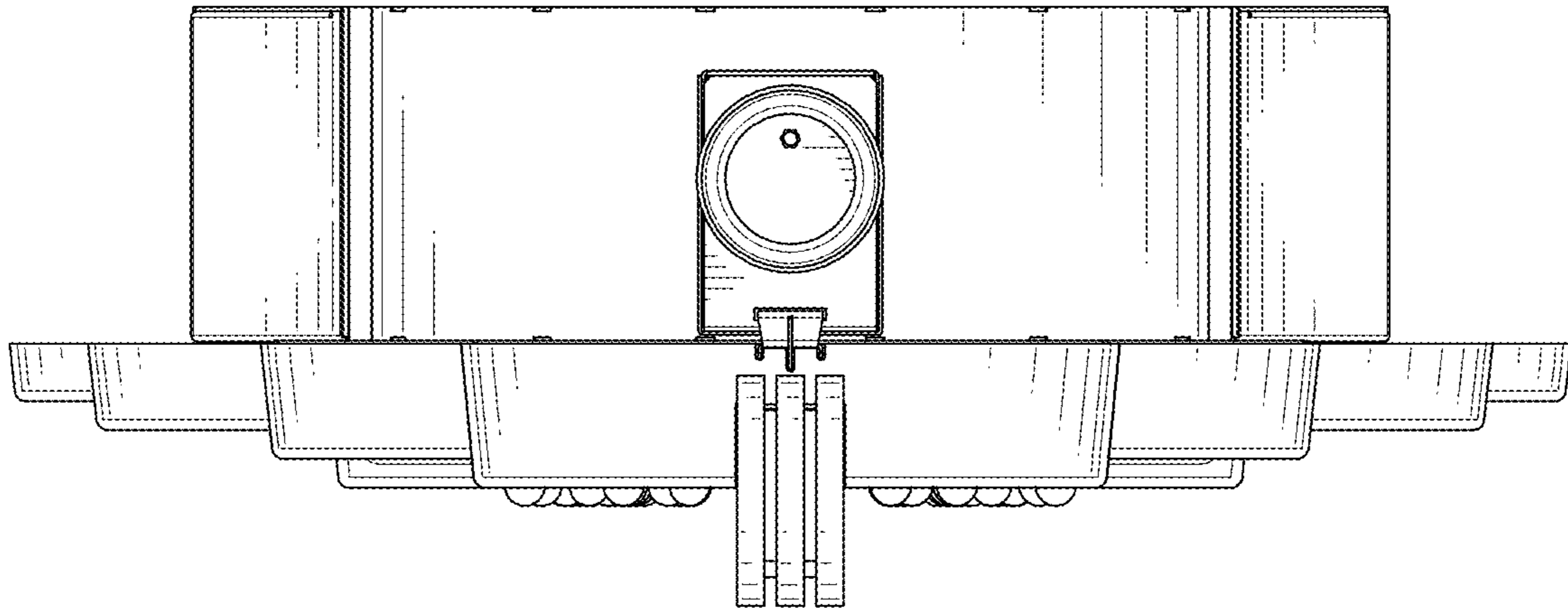


FIG. 5

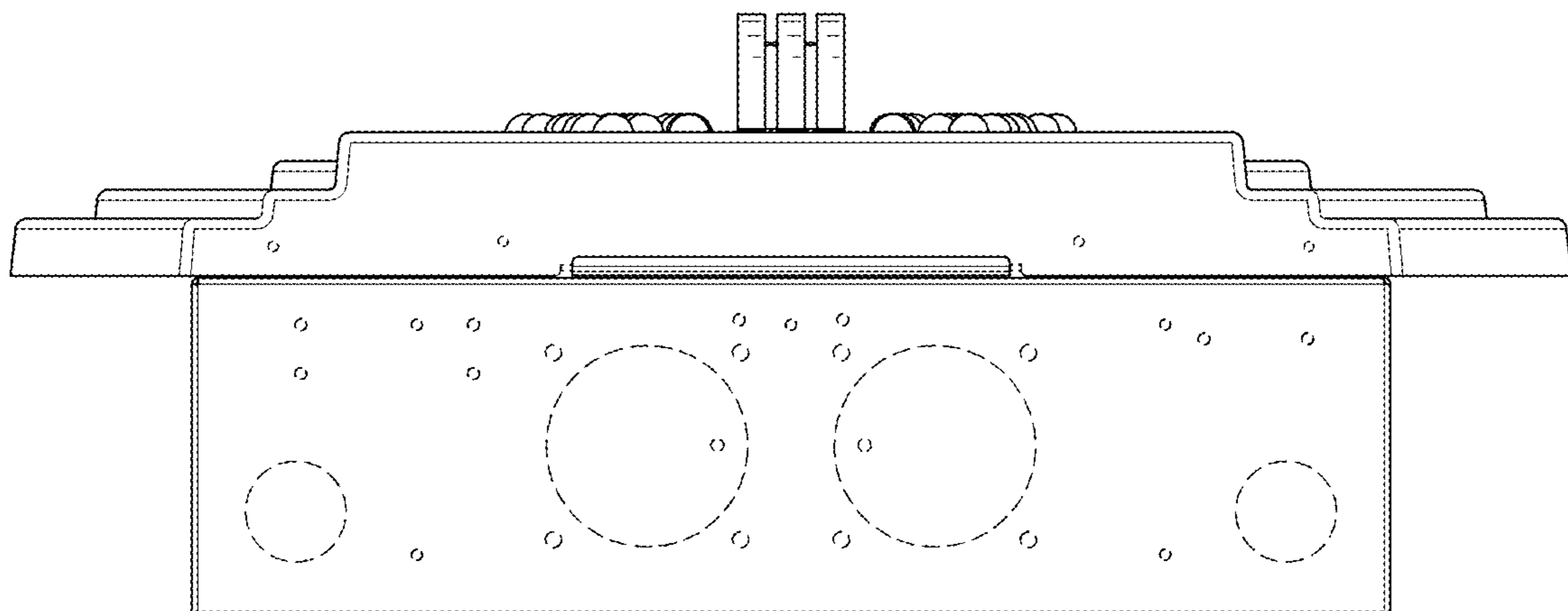


FIG. 6

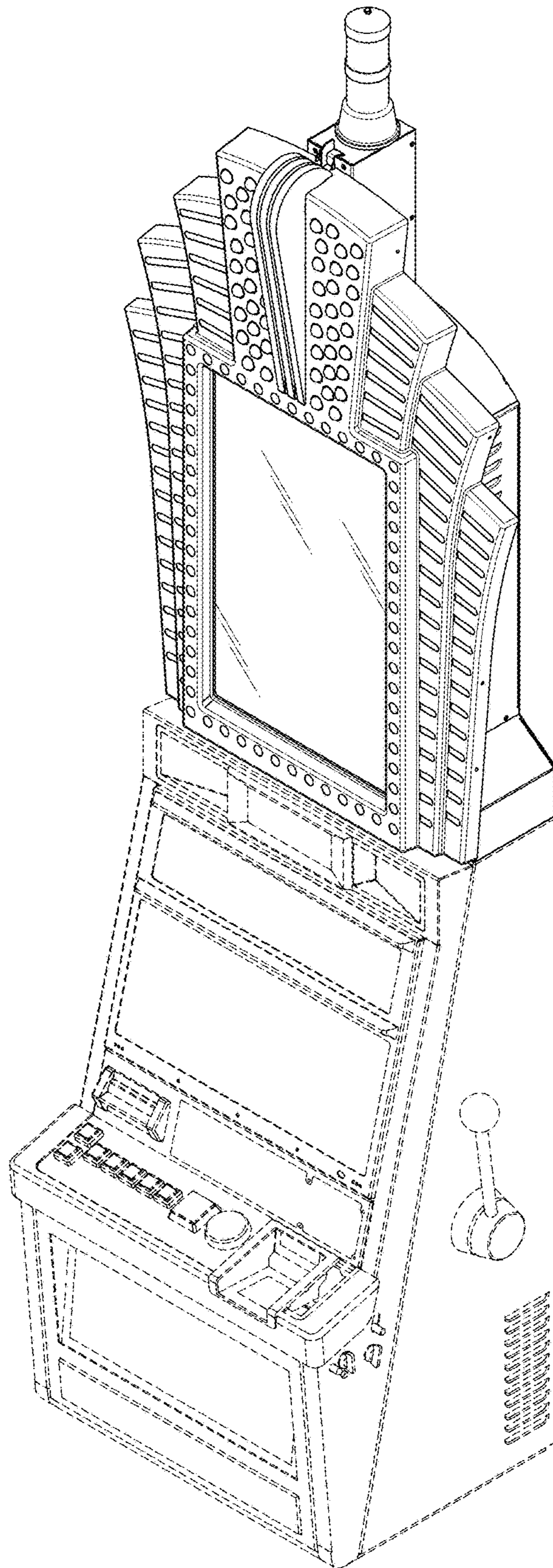


FIG. 7