



US00D813312S

(12) **United States Design Patent**
Mahbubani et al.

(10) **Patent No.:** **US D813,312 S**
(45) **Date of Patent:** **** Mar. 20, 2018**

- (54) **VIDEO CARD**
- (71) Applicant: **Video Plus Print Company**, Hong Kong (CN)
- (72) Inventors: **Vijay Mahbubani**, Hong Kong (CN); **Omar Algenii**, Hong Kong (CN)
- (73) Assignee: **Video Plus Print Company**, Hong Kong (HK)
- (**) Term: **15 Years**
- (21) Appl. No.: **29/558,400**
- (22) Filed: **Mar. 17, 2016**
- (51) **LOC (11) Cl.** **20-03**
- (52) **U.S. Cl.**
USPC **D20/40**; D19/1
- (58) **Field of Classification Search**
USPC D20/10, 11, 22-29, 39, 40, 41, 99;
D19/1, 3, 6, 27, 33-34, 100
CPC G09F 1/00; G09F 1/02; G09F 2003/023;
G09F 2003/0261; G09F 2003/0264; G09F
7/00; G09F 3/206; G09F 3/00; G09F
13/00; G09F 2007/1807; G09F 13/04;
G09F 2013/0427; G09F 2013/0495
See application file for complete search history.

D632,734 S *	2/2011	Qiao	D19/1
D642,611 S *	8/2011	Clegg	D19/1
D643,060 S *	8/2011	Clegg	D19/1
D647,559 S *	10/2011	Clegg	D19/1
D649,588 S *	11/2011	Clegg	D19/1
D654,113 S *	2/2012	Clegg	D19/1
D655,750 S *	3/2012	Clegg	D19/1
D659,754 S *	5/2012	Rossiter	D19/1
D660,909 S *	5/2012	Clegg	D19/1
D661,732 S *	6/2012	Clegg	D19/1
D745,605 S *	12/2015	Dancause	D20/27
D755,895 S *	5/2016	Garfinkle	D20/27
D784,455 S *	4/2017	Sims	D20/22
D790,007 S *	6/2017	Knight	D19/1

* cited by examiner

Primary Examiner — Mary Ann Calabrese
Assistant Examiner — Sloan Rozin

(74) *Attorney, Agent, or Firm* — Stine Law Ltd

(57) **CLAIM**

The ornamental design for a video card, as shown and described.

DESCRIPTION

FIG. 1 is a front perspective view of a video card showing our new design, shown in an assembled configuration;
 FIG. 2 is a front view, shown in an unassembled configuration;
 FIG. 3 is a front perspective view shown in a partially assembled configuration;
 FIG. 4 is a rear perspective view, shown in an assembled configuration;
 FIG. 5 is a left side, perspective view thereof;
 FIG. 6 is a lower right side perspective view thereof;
 FIG. 7 is a right elevational view thereof; and,
 FIG. 8 is a left elevational view thereof.
 The broken lines illustrate portions of the article and form no part of the claimed design.

1 Claim, 4 Drawing Sheets

(56) **References Cited**

U.S. PATENT DOCUMENTS

D54,610 S *	3/1920	Evans et al.	D14/479
4,484,768 A *	11/1984	Norfleet	B42D 15/02 229/92.8
D283,231 S *	4/1986	Bradenburger	D10/46.1
D451,951 S *	12/2001	Dusanter	D19/1
D602,516 S *	10/2009	Miller	D18/18
D616,929 S *	6/2010	Krivanek	D19/1
D629,458 S *	12/2010	Clegg	D19/1
D629,459 S *	12/2010	Clegg	D19/1
D632,330 S *	2/2011	Qiao	D19/1

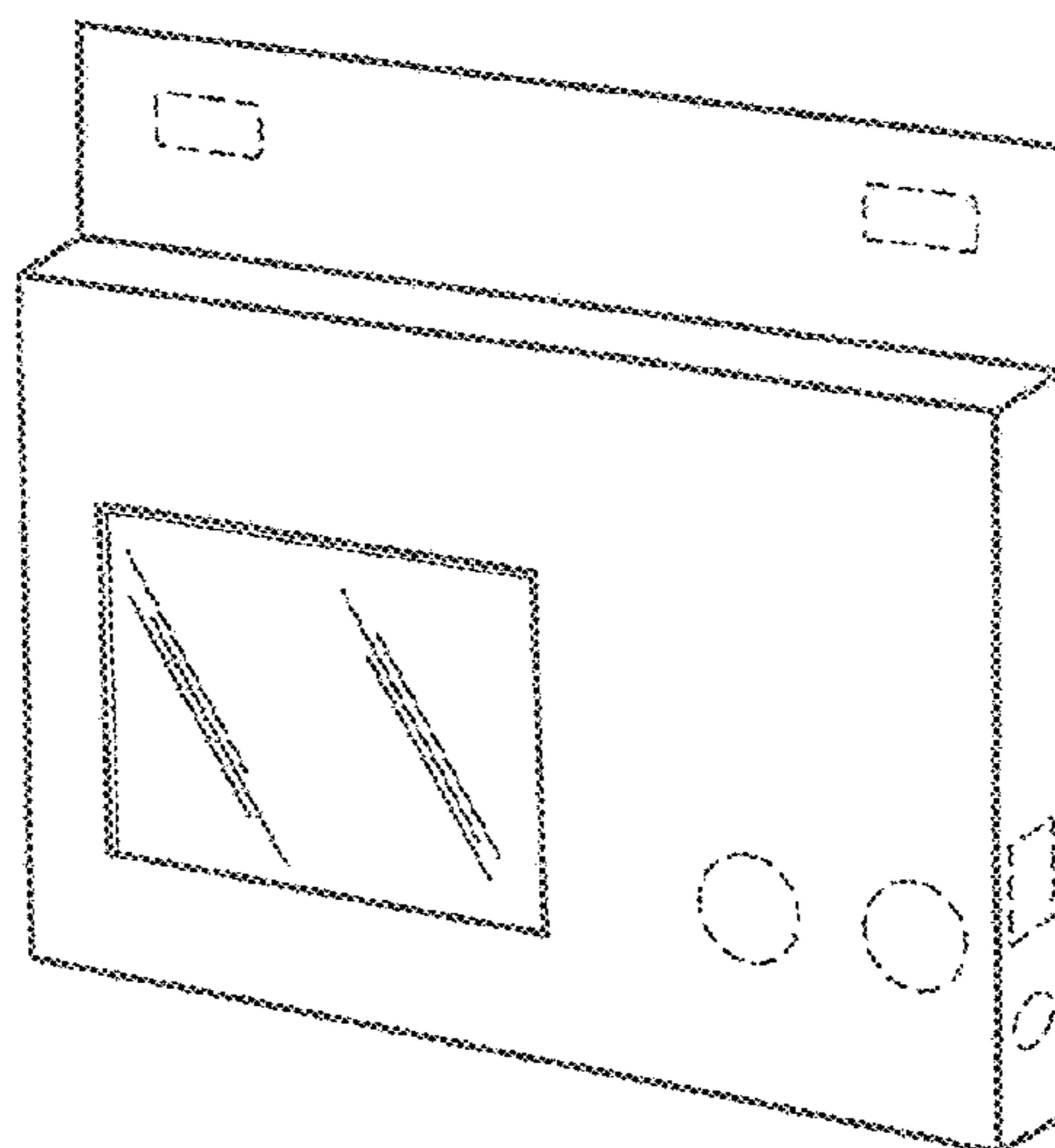


Fig 1

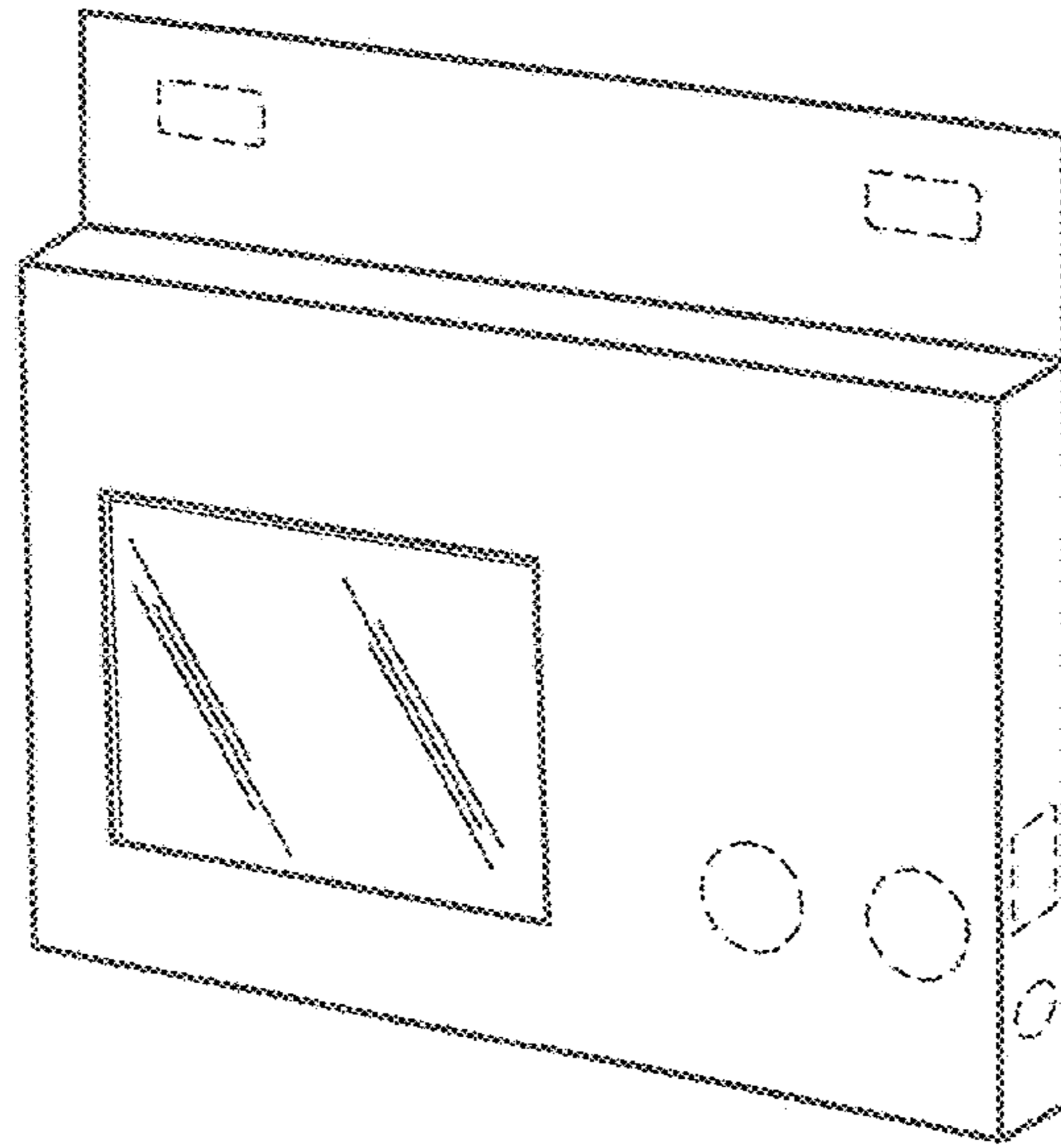
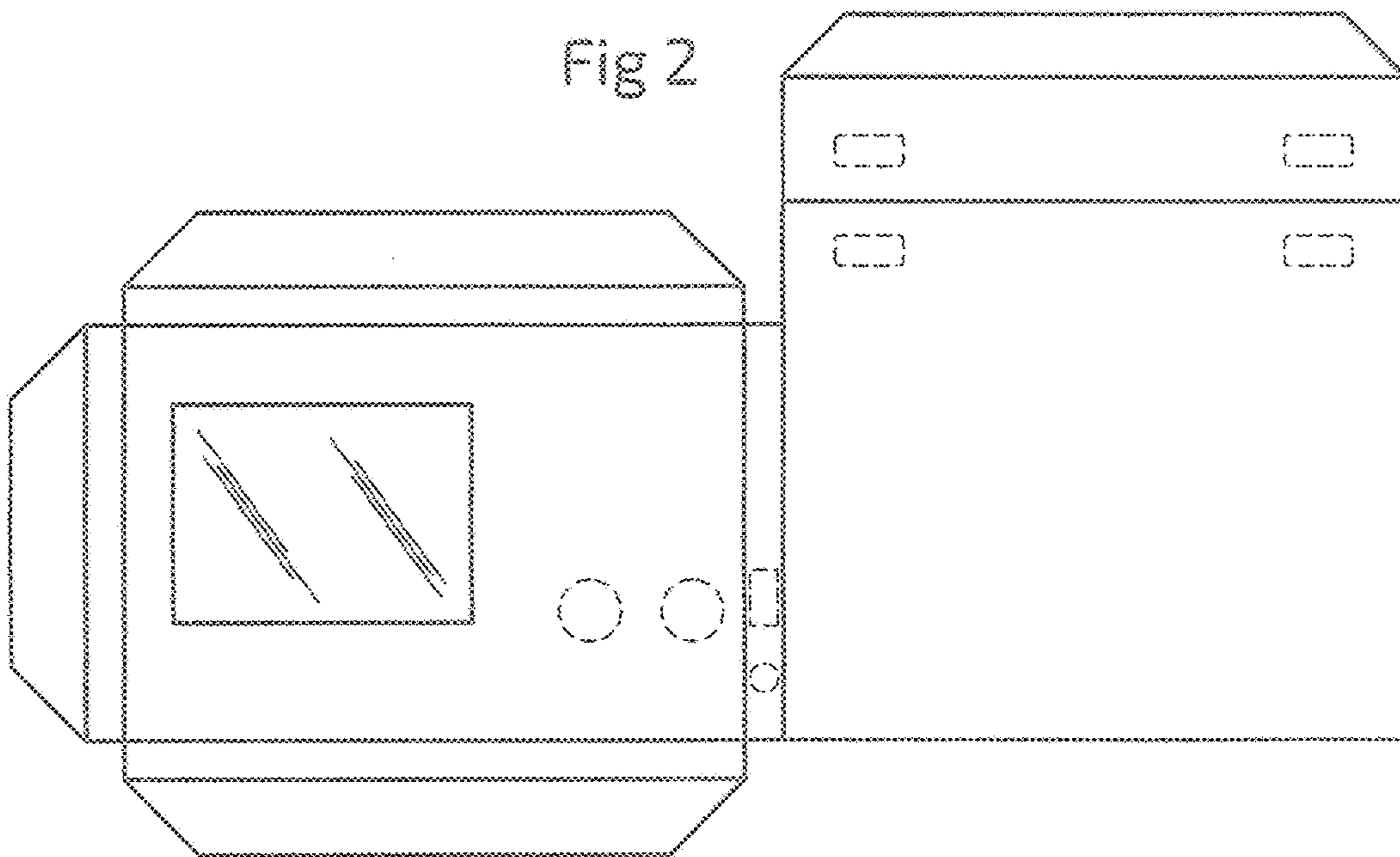
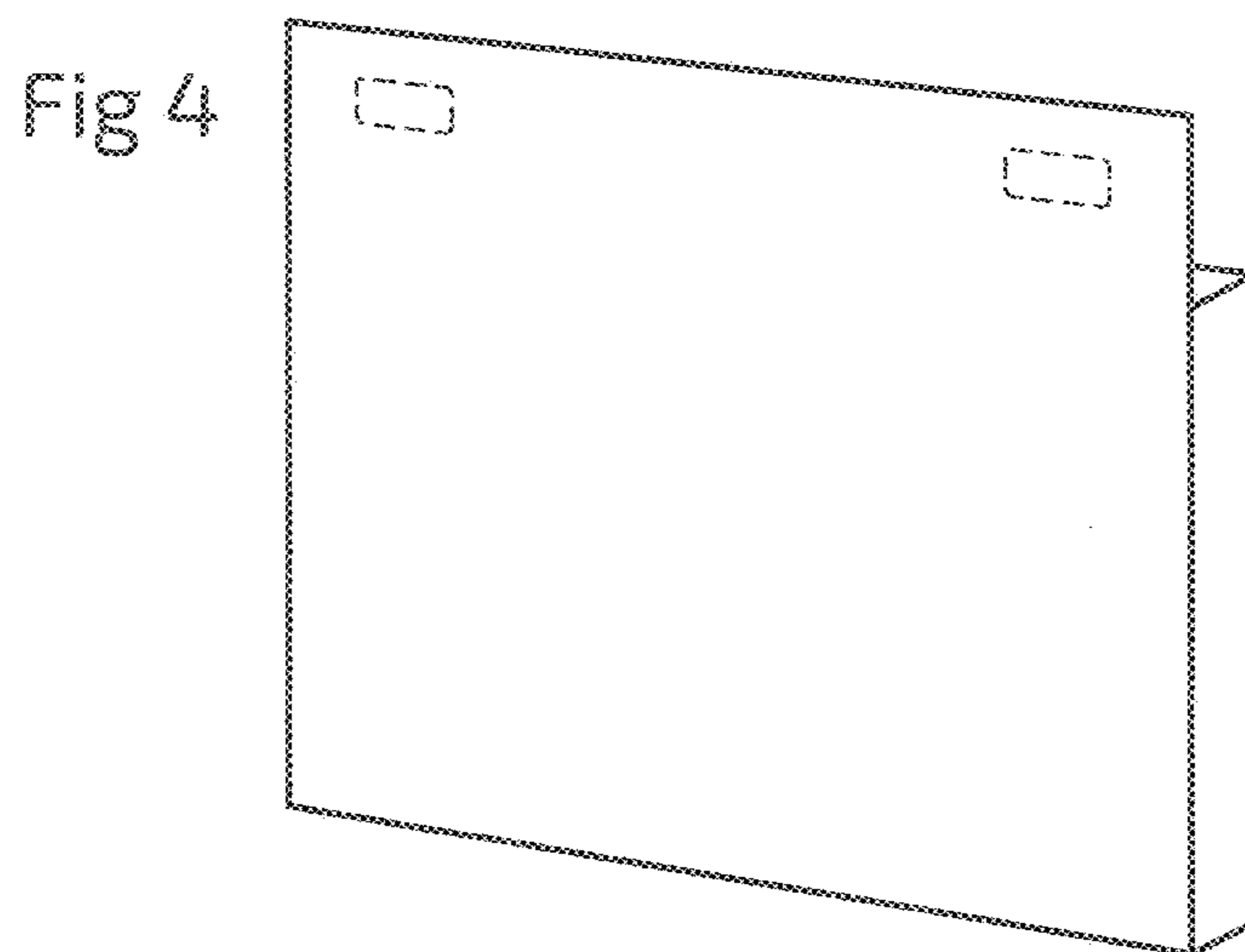
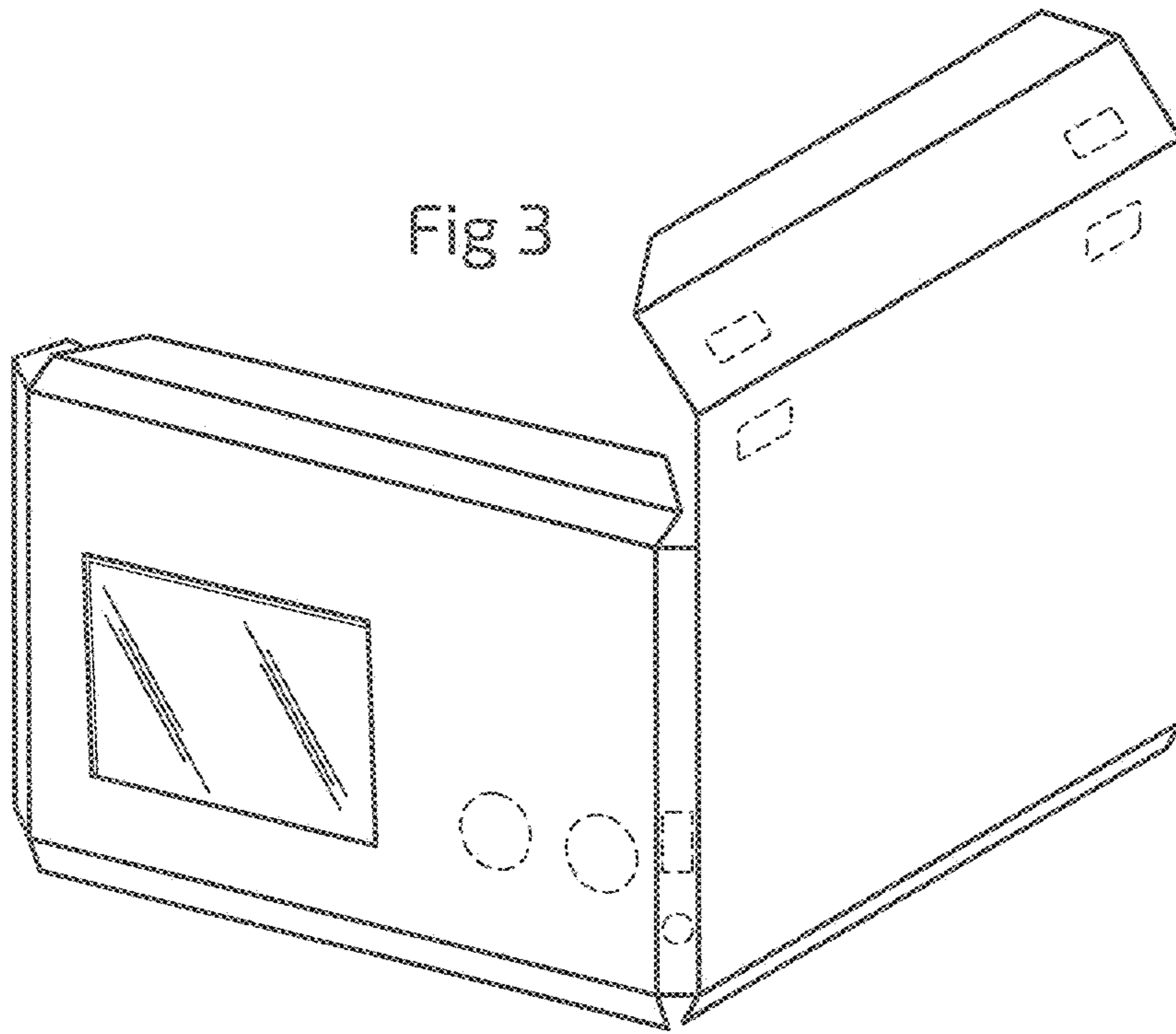


Fig 2





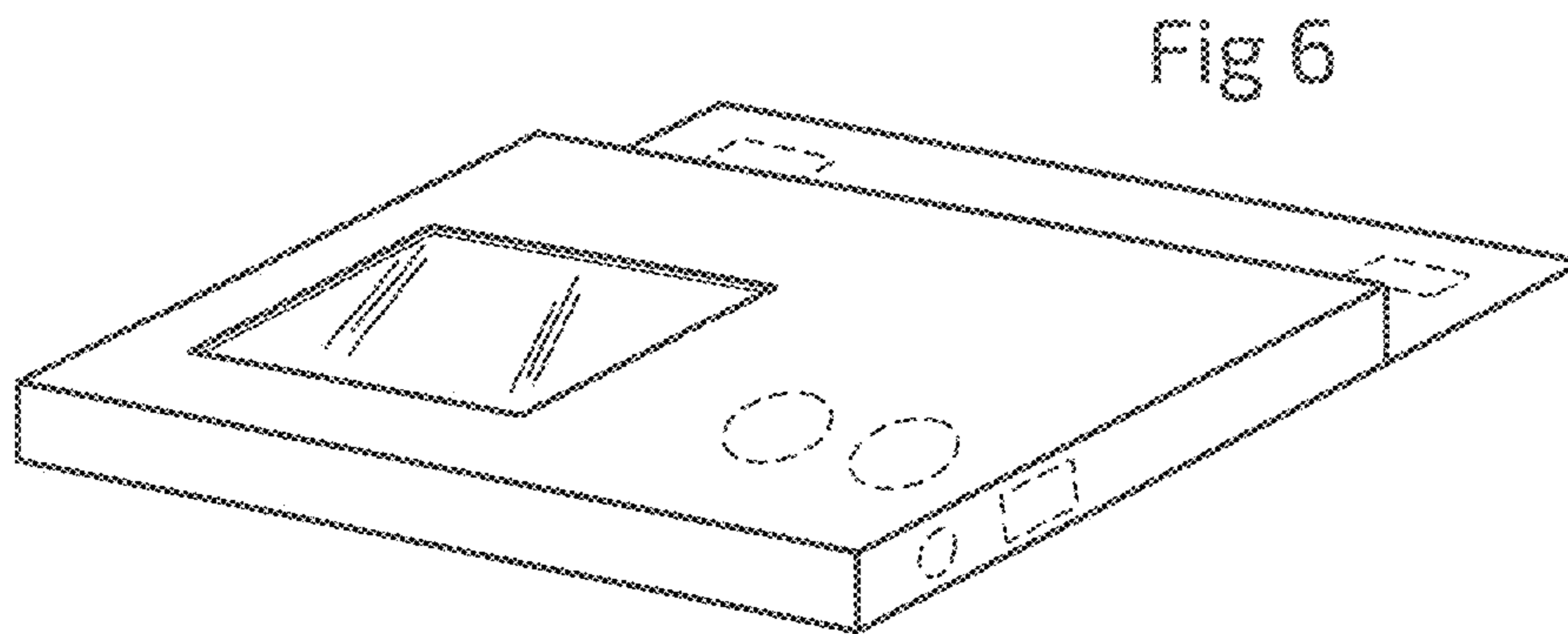
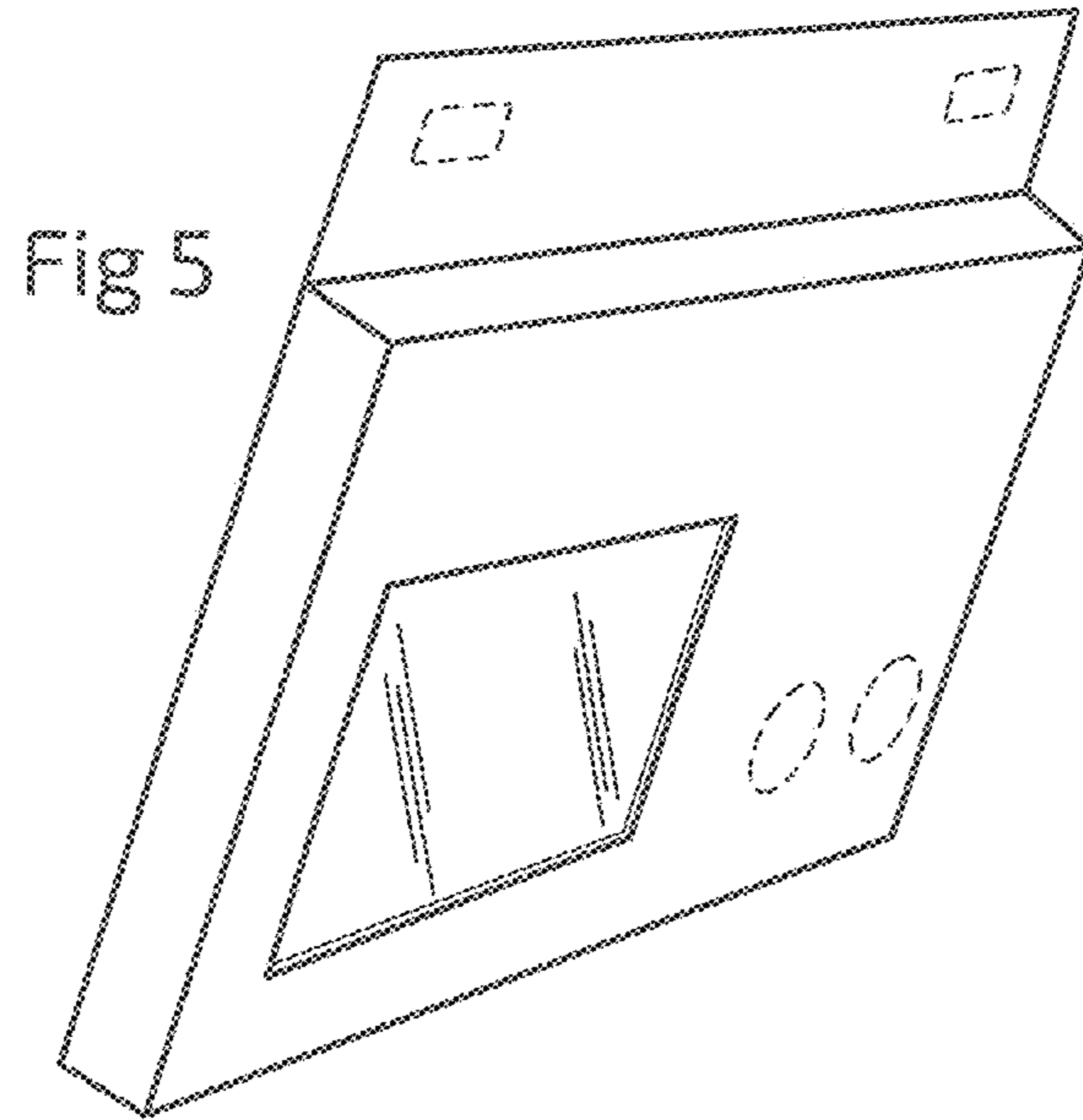


Fig 7



Fig 8

