



US00D813310S

(12) **United States Design Patent**
Matsushita

(10) **Patent No.:** **US D813,310 S**

(45) **Date of Patent:** **** Mar. 20, 2018**

- (54) **BALLPOINT PEN**
- (71) Applicant: **KABUSHIKI KAISHA PILOT CORPORATION**, Tokyo (JP)
- (72) Inventor: **Moegi Matsushita**, Tokyo (JP)
- (73) Assignee: **KABUSHIKI KAISHA PILOT CORPORATION**, Tokyo (JP)

(**) Term: **15 Years**

(21) Appl. No.: **29/570,941**

(22) Filed: **Jul. 13, 2016**

(30) **Foreign Application Priority Data**

Jan. 18, 2016 (JP) 2016-000804

(51) **LOC (11) Cl.** **19-06**

(52) **U.S. Cl.**
USPC **D19/173; D19/923**

(58) **Field of Classification Search**
USPC D14/411, 431; D19/115-204
CPC . B43K 7/00; B43K 7/005; B43K 7/12; B43K 8/04; B43K 8/06; B43K 19/00; B43K 19/02; B43K 19/14; B43K 21/006; B43K 23/06; B43K 24/08

See application file for complete search history.

(56) **References Cited**

U.S. PATENT DOCUMENTS

- D207,190 S * 3/1967 Darst D19/173
- D247,246 S * 2/1978 Verona D19/169
- D260,021 S * 7/1981 Carre D19/176
- D286,893 S * 11/1986 Renault D19/173
- D318,879 S * 8/1991 Porsche D19/173
- D329,874 S * 9/1992 Cuadrado D19/173
- D404,428 S * 1/1999 Takahashi D19/173

- D429,763 S * 8/2000 Fuller D19/173
- D433,705 S * 11/2000 Kohlhase D19/173
- D545,367 S * 6/2007 Ternovits D19/173
- D546,887 S * 7/2007 Ternovits D19/196
- D568,393 S * 5/2008 Bhavnani D19/173
- D581,980 S * 12/2008 Bhavnani D19/197
- D590,882 S * 4/2009 Katami D19/187
- D596,228 S * 7/2009 Koch D19/173
- 7,607,849 B2 * 10/2009 Barker B43K 24/06
401/195
- D611,538 S * 3/2010 Zhou D19/173
- D629,461 S * 12/2010 Shibata D19/173
- D650,858 S * 12/2011 Keda D19/174
- D662,985 S * 7/2012 Liu D19/173
- D690,360 S * 9/2013 Jin D19/173
- D713,881 S * 9/2014 Koch D19/173
- D724,669 S * 3/2015 Nakazawa D19/172
- D724,670 S * 3/2015 Yokoyama D19/174
- D736,855 S * 8/2015 Fan D19/173
- D767,034 S * 9/2016 Zhang D19/173

* cited by examiner

Primary Examiner — Elizabeth Albert

(74) *Attorney, Agent, or Firm* — Sughrue Mion, PLLC

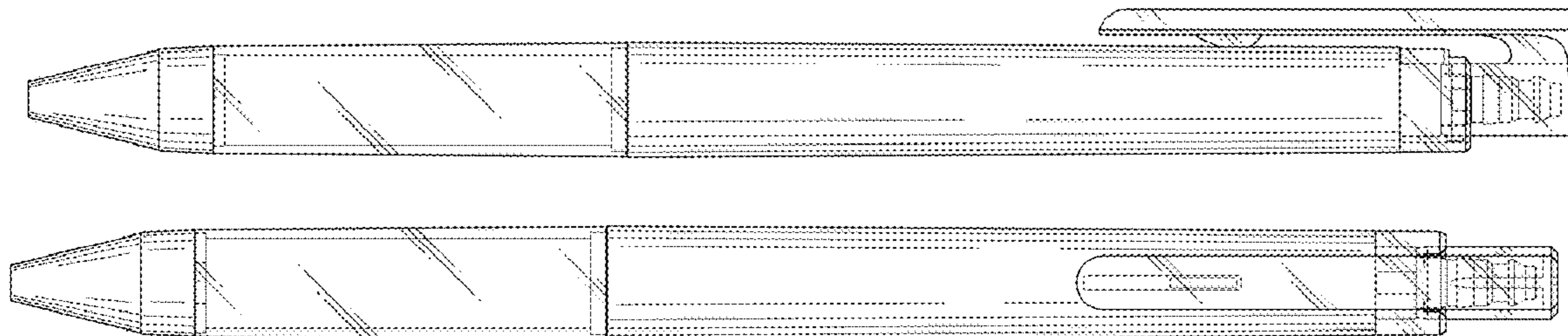
(57) **CLAIM**

The ornamental design for a ballpoint pen, as shown and described.

DESCRIPTION

FIG. 1 is a perspective view of a ballpoint pen showing my new design;
 FIG. 2 is a front view thereof;
 FIG. 3 is a rear view thereof;
 FIG. 4 is a left side view thereof;
 FIG. 5 is a right side view thereof;
 FIG. 6 is a top view thereof;
 FIG. 7 is a bottom view thereof; and,
 FIG. 8 is a front view of usage thereof.

1 Claim, 3 Drawing Sheets



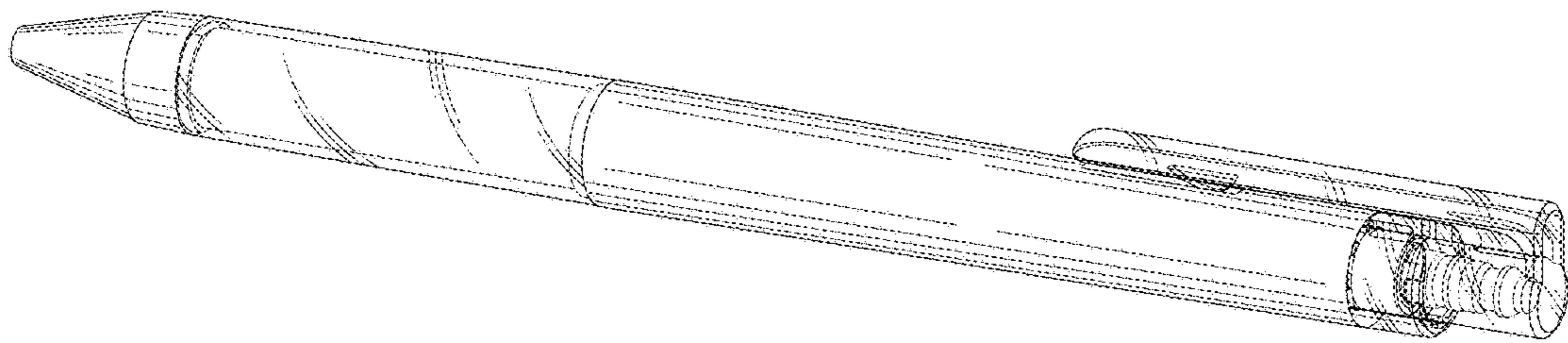


FIG. 1

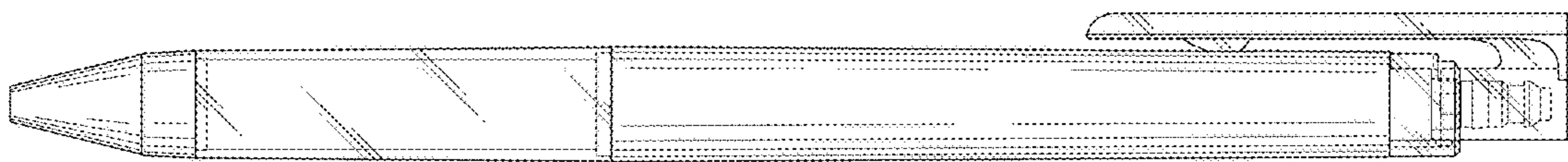


FIG. 2

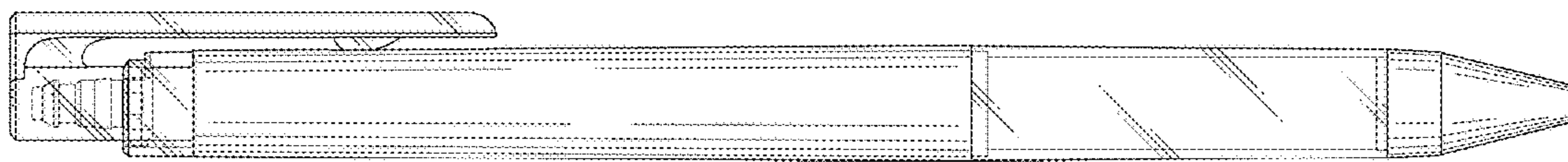


FIG. 3

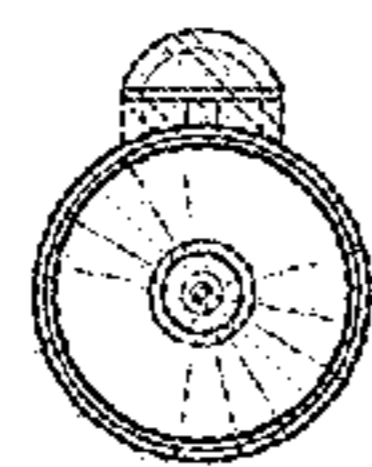


FIG. 4

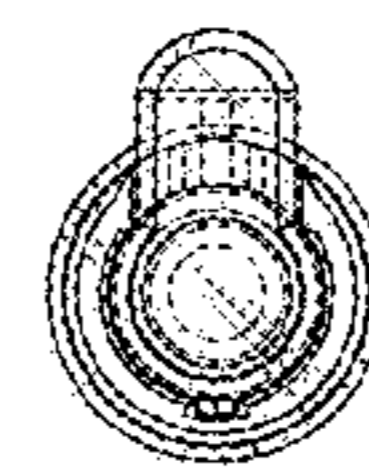


FIG. 5

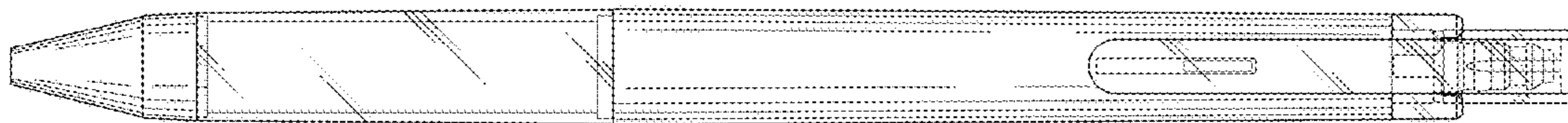


FIG. 6

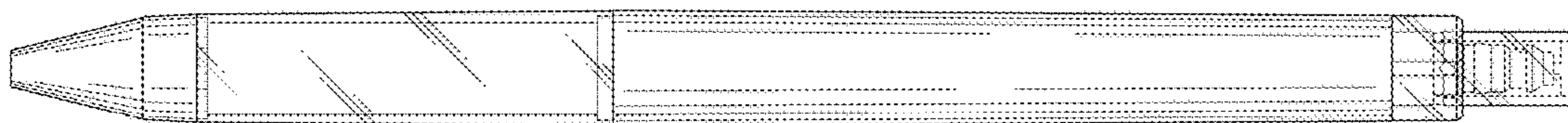


FIG. 7

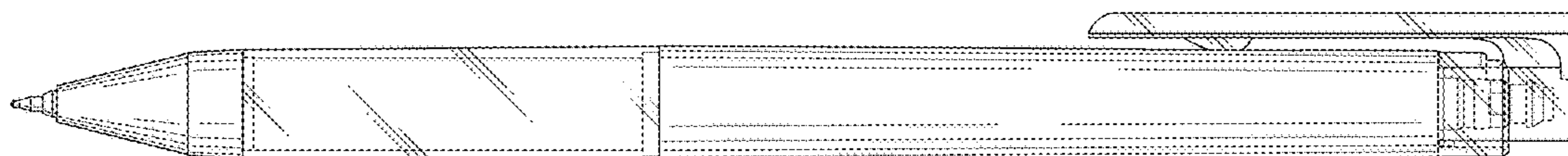


FIG. 8