



US00D813306S

(12) **United States Design Patent Rule**

(10) **Patent No.:** **US D813,306 S**  
(45) **Date of Patent:** **\*\* Mar. 20, 2018**

(54) **COUNTING DEVICE**

(71) Applicant: **Scott Rule**, Wheaton, IL (US)

(72) Inventor: **Scott Rule**, Wheaton, IL (US)

(\*\*) Term: **15 Years**

(21) Appl. No.: **29/558,997**

(22) Filed: **Mar. 23, 2016**

(51) **LOC (11) Cl.** ..... **19-07**

(52) **U.S. Cl.**  
USPC ..... **D19/62**

(58) **Field of Classification Search**  
USPC ..... D19/59-64; 434/203, 127, 188, 189,  
434/191, 194-196, 204, 236, 246;  
D21/337; D99/26; D18/6; D14/485;  
D10/46.1; 235/61 R, 68, 123;  
273/148 R, 236, 260  
CPC ..... A44C 5/0015; A63B 71/0672; A63F 3/04;  
A63F 3/0478; A63F 3/00634; A63F  
9/0098; A63F 9/06; G06C 1/00; G09B  
1/02; G09B 1/10; G09B 1/14; G09B  
1/20; G09B 19/00; G09B 19/02; G09B  
9/02

See application file for complete search history.

(56) **References Cited**

U.S. PATENT DOCUMENTS

232,482 A \* 9/1880 Fitch ..... G06C 1/00  
434/203

378,866 A \* 3/1888 Clark et al. .... G09B 19/02  
434/203

604,963 A \* 5/1898 Breinl ..... G09B 19/02  
324/137

1,028,227 A \* 6/1912 Kruger ..... G09B 19/02  
206/214

1,099,009 A \* 6/1914 Bennett ..... G09B 19/02  
434/203

1,144,487 A \* 6/1915 McGinley ..... G09B 19/02  
434/203

2,457,332 A \* 12/1948 Wade ..... G09B 19/02  
434/203

D248,332 S \* 6/1978 Bailey ..... D10/46.1

4,295,832 A \* 10/1981 Karell ..... A63F 9/0098  
273/456

4,884,973 A \* 12/1989 Pak ..... G09B 1/10  
434/191

4,993,952 A \* 2/1991 Yeh ..... G09B 1/02  
434/191

D339,754 S \* 9/1993 Cranmer ..... D10/46.1

5,334,026 A \* 8/1994 Ylitalo ..... G06C 1/00  
434/113

D399,522 S \* 10/1998 Nye ..... D18/6

D417,405 S \* 12/1999 Tsai ..... D10/46.1

D513,762 S \* 1/2006 Young ..... 434/203

D529,551 S 10/2006 Rule

(Continued)

**OTHER PUBLICATIONS**

Co-pending Design U.S. Appl. No. 29/558,993, "Counting Device," filed Mar. 23, 2016.

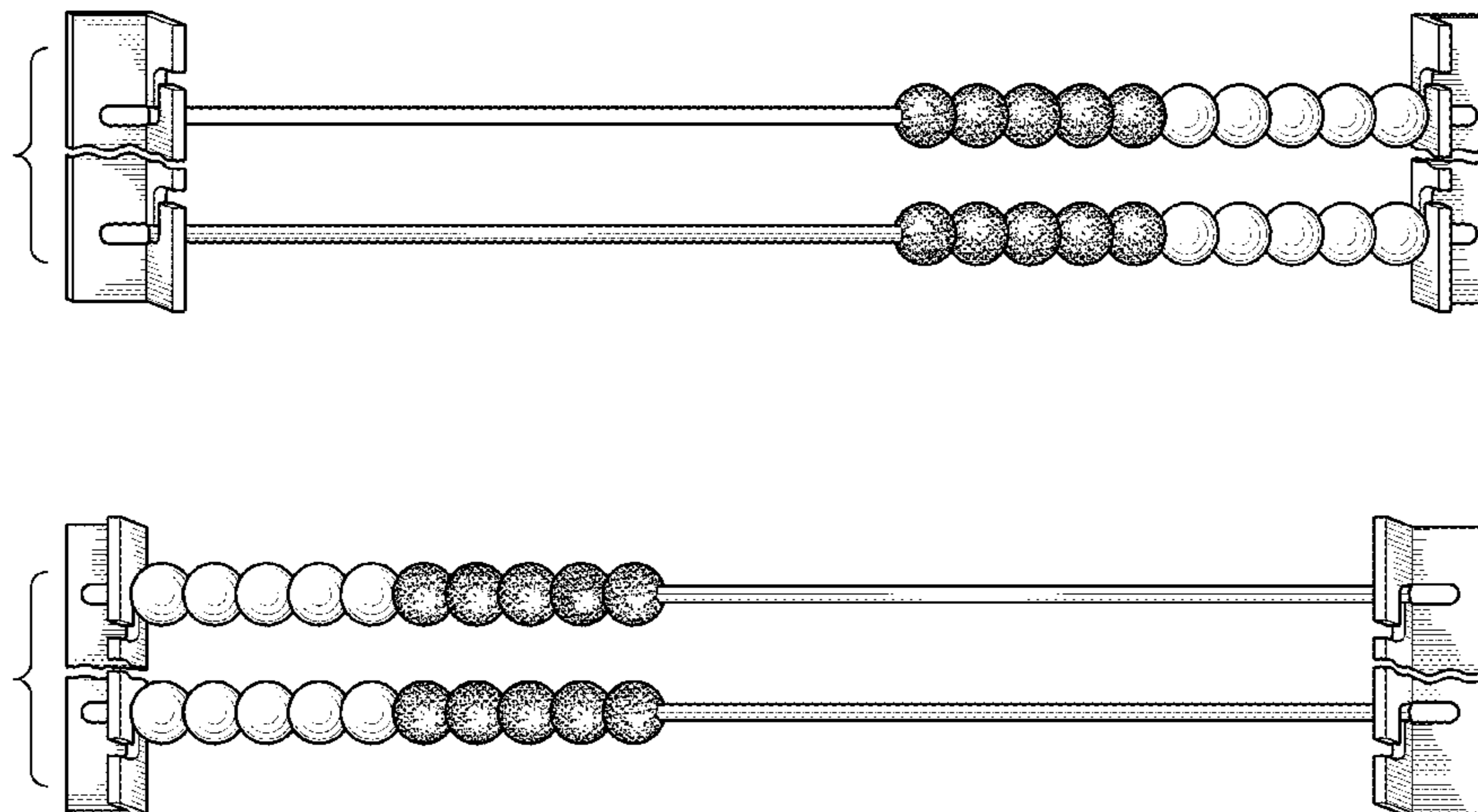
*Primary Examiner* — Ian Simmons  
*Assistant Examiner* — Mark Cavanna  
 (74) *Attorney, Agent, or Firm* — Pauley Erickson & Kottis

(57) **CLAIM**  
 The ornamental design for a counting device, as shown and described.

**DESCRIPTION**

FIG. 1 is a front left perspective view of a counting device; and,  
 FIG. 2 is a bottom right perspective view thereof.  
 The counting device is shown with a symbolic break in its length. The appearance of any portion of the article between the break lines forms no part of the claimed design.  
 The change in shading seen depicted on spherical counting elements represents a contrast in materials.

**1 Claim, 1 Drawing Sheet**



(56)

**References Cited**

U.S. PATENT DOCUMENTS

7,153,138 B2 \* 12/2006 Charles ..... A44C 5/0015  
434/127  
D534,960 S 1/2007 Rule  
D558,271 S 12/2007 Rule  
7,309,233 B2 \* 12/2007 Nguyen ..... G09B 1/02  
434/204  
D587,756 S 3/2009 Rule  
7,828,553 B2 \* 11/2010 Baerg ..... G09B 1/14  
434/203  
D674,441 S 1/2013 Rule  
8,496,483 B1 \* 7/2013 Walters ..... G09B 1/14  
434/172  
D742,256 S \* 11/2015 Rivera ..... D10/46.1  
2007/0048708 A1 \* 3/2007 Lee ..... G09B 19/02  
434/236  
2012/0251986 A1 \* 10/2012 Silas-Martin ..... G06C 1/00  
434/203

\* cited by examiner

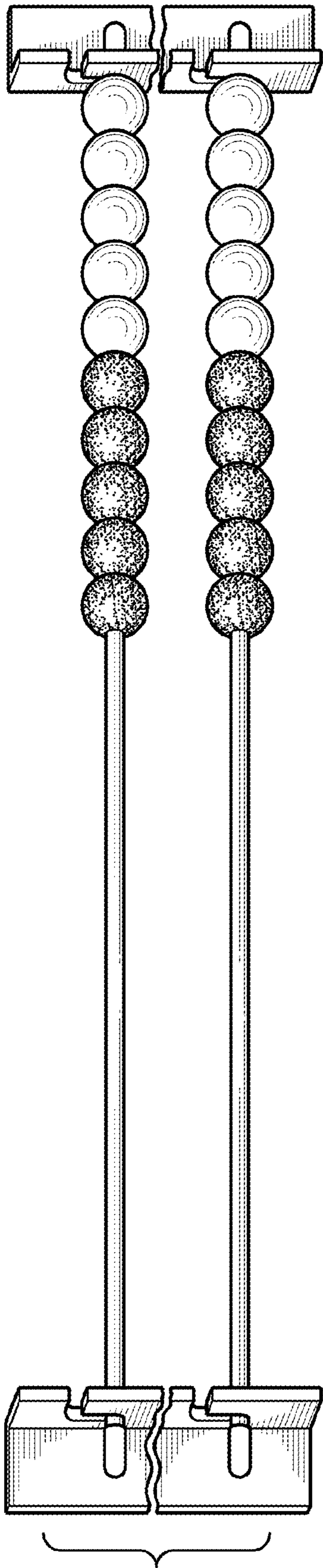


FIG. 1

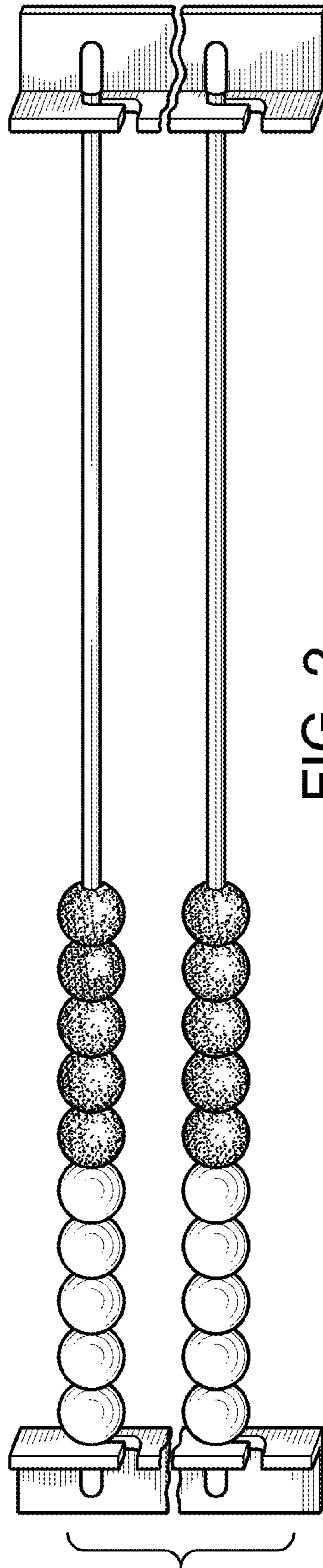


FIG. 2