



US00D813301S

(12) **United States Design Patent** (10) **Patent No.:** **US D813,301 S**
Williams et al. (45) **Date of Patent:** **** Mar. 20, 2018**

(54) **TRANSACTION CARD**

B42D 2033/10; B42D 2033/16; B42D 2033/18; B42D 2033/20; B42D 2033/22; B42D 2033/28; B42D 2033/30

(71) Applicant: **American Express Travel Related Services Company, Inc.**, New York, NY (US)

See application file for complete search history.

(72) Inventors: **Troy Williams**, New York, NY (US); **Peter Bates**, West newton, MA (US); **Michel David Arney**, Wellesley, MA (US); **Damien Vizcarra**, Pasadena, CA (US)

(56) **References Cited**

U.S. PATENT DOCUMENTS

D766,367 S * 9/2016 Canaday D19/9

* cited by examiner

(73) Assignee: **AMERICAN EXPRESS TRAVEL RELATED SERVICES COMPANY, INC.**, New York, NY (US)

Primary Examiner — Abraham Bahta

(74) *Attorney, Agent, or Firm* — Snell & Wilmer L.L.P.

(**) Term: **15 Years**

(21) Appl. No.: **29/548,288**

(57) **CLAIM**

(22) Filed: **Dec. 11, 2015**

The ornamental design for a transaction card, as shown and described.

(51) **LOC (11) Cl.** **19-08**

(52) **U.S. Cl.**
USPC **D19/9**

(58) **Field of Classification Search**

DESCRIPTION

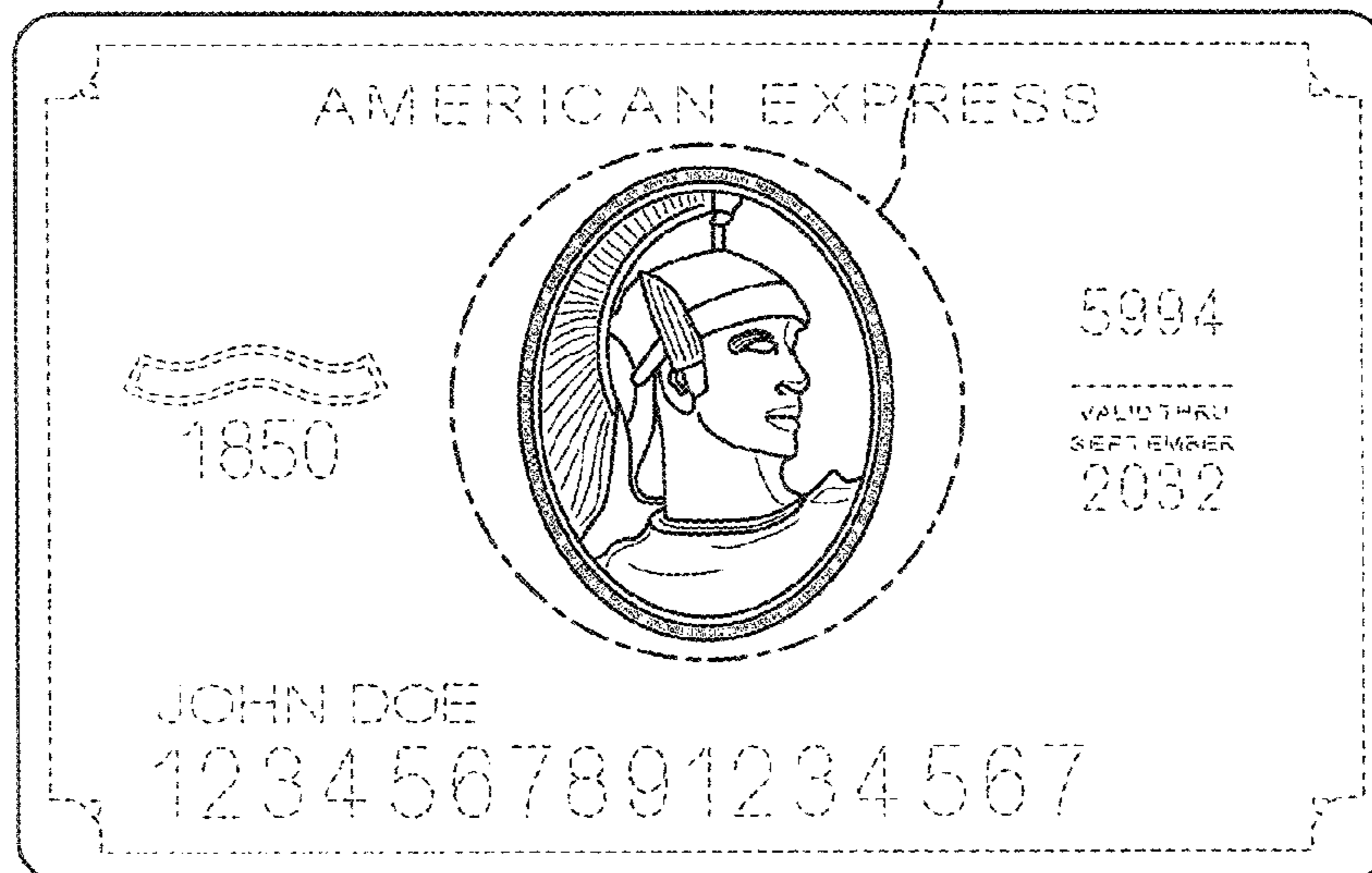
USPC D19/1-12, 20-34, 100;
40/124.01-124.15, 672, 661, 726, 776,
40/617; 283/72, 74-75, 103, 105-107,
283/82, 70, 94, 81, 904; 206/449, 815;
D21/385; D20/10, 22, 27, 40, 42, 11;
D14/435-437; 360/2; D6/613, 583;
235/380, 382, 487, 493, 488
CPC .. B42D 15/022; B42D 15/042; B42D 15/045;
B42D 15/027; B42D 25/00; B42D 25/20;
B42D 25/23; B42D 25/26; B42D 25/29;
B42D 25/30; B42D 25/285; B42D
2033/00; B42D 2033/04; B42D 2033/08;

FIG. 1 is a front view of the transaction card showing our new design; and, FIG. 2 is an enlarged portion of the transaction card as indicated in FIG. 1.

The broken line showing of portions of the transaction card is included for the purpose of illustrating environmental structure and forms no part of the claimed design. The dash-dot-dash lines in FIGS. 1-2 show a portion of the transaction card that is being enlarged and shown in FIG. 2.

1 Claim, 2 Drawing Sheets

2



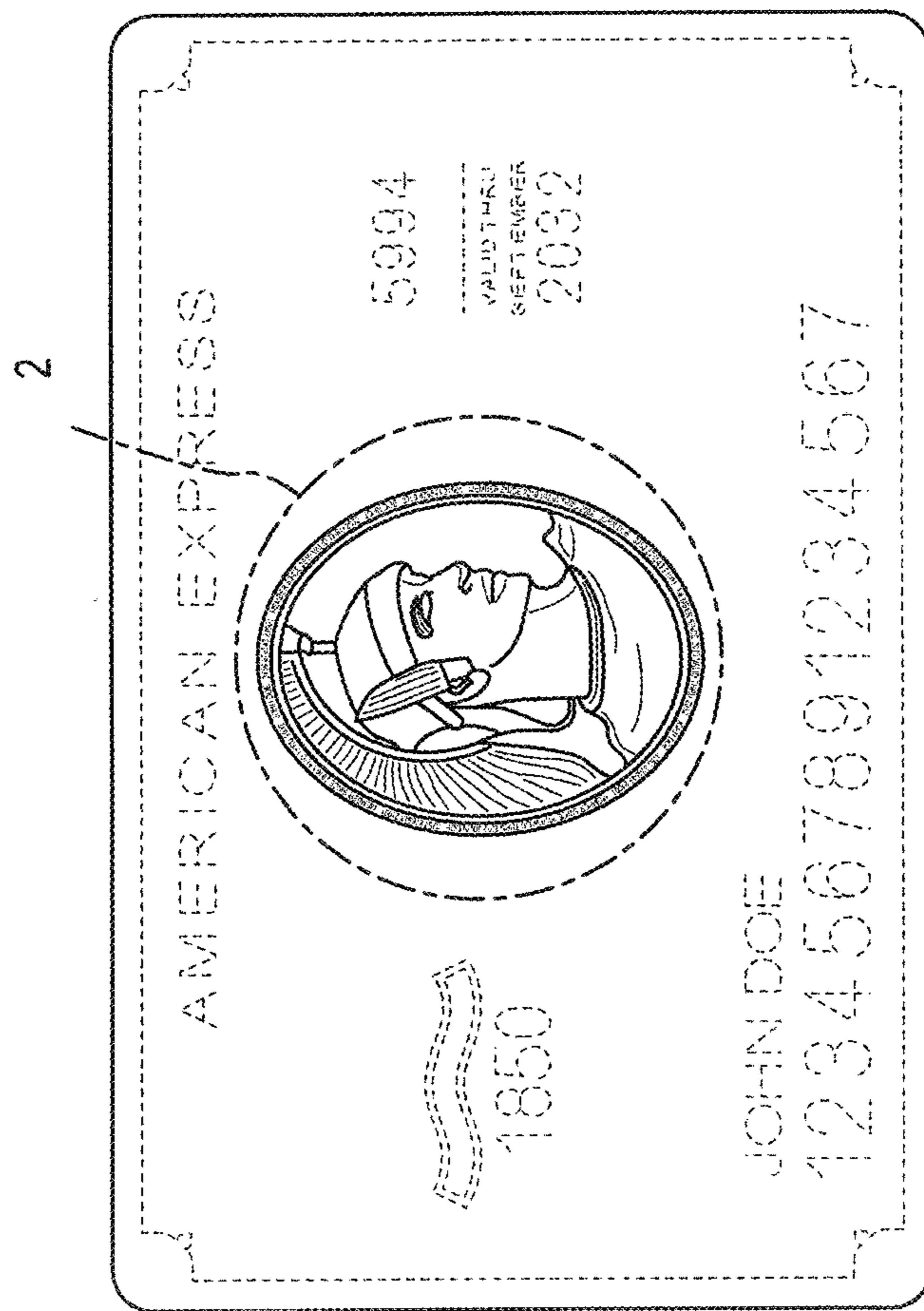


FIG.1



FIG.2