



US00D813297S

(12) **United States Design Patent** (10) **Patent No.:** **US D813,297 S**  
**Nishikawa et al.** (45) **Date of Patent:** **\*\* Mar. 20, 2018**

(54) **PRINTER**

(71) Applicant: **SEKISUI MEDICAL CO., LTD.**,  
Tokyo (JP)

(72) Inventors: **Masato Nishikawa**, Osaka (JP); **Kazuo Kotani**, Tokyo (JP); **Motoki Morita**, Tokyo (JP); **Keigo Kohno**, Tokyo (JP)

(73) Assignee: **Sekisui Medical Co., Ltd.**, Tokyo (JP)

(\*\*) Term: **15 Years**

(21) Appl. No.: **29/566,903**

(22) Filed: **Jun. 3, 2016**

(30) **Foreign Application Priority Data**

May 26, 2016 (JP) ..... 2016-11198

(51) **LOC (11) Cl.** ..... **14-02**

(52) **U.S. Cl.**  
USPC ..... **D18/50**

(58) **Field of Classification Search**  
USPC ..... D10/81; D14/349, 420-425, 462-470;  
D18/19, 36-41, 50, 53, 54, 54.1, 55;  
D24/107, 108, 169, 189, 216, 223-225,  
D24/229-232, 234  
CPC . B41J 31/16; B41J 32/02; B41J 19/202; B41J  
29/02; B41J 29/08; B41J 29/377; B41J  
3/4075; B41J 11/58; B41J 15/12; B41J  
15/042; B41J 17/00; B41J 2/1752  
See application file for complete search history.

(56) **References Cited**

**U.S. PATENT DOCUMENTS**

D333,316 S *	2/1993	Ishizawa	.....	D18/55
D443,890 S *	6/2001	Sato	.....	D18/50
D455,454 S *	4/2002	Swyst	.....	D18/14
D522,571 S *	6/2006	Senda	.....	D18/54

D526,349 S *	8/2006	Granaas	.....	D18/54
D542,337 S *	5/2007	Nakata	.....	D18/19
D713,871 S *	9/2014	Preliasco	.....	D18/14
D730,978 S *	6/2015	Kinoshita	.....	D18/50
D751,636 S *	3/2016	Kinoshita	.....	D18/19
D752,140 S *	3/2016	Tanaka	.....	D18/19
9,427,978 B1 *	8/2016	Hokazono	.....	B65C 11/02
D772,086 S *	11/2016	Schueren	.....	D10/81
D777,249 S *	1/2017	Tanaka	.....	D18/19
D790,006 S *	6/2017	Yoshida	.....	D18/14
D796,049 S *	8/2017	Nishikawa	.....	D24/186
D796,050 S *	8/2017	Nishikawa	.....	D24/186
D797,295 S *	9/2017	Nishikawa	.....	D24/186
2011/0001769 A1 *	1/2011	Nagai	.....	B41J 3/4075 347/5
2017/0072718 A1 *	3/2017	Watanabe	.....	B41J 15/042
2017/0144458 A1 *	5/2017	Nihashi	.....	B41J 11/58

\* cited by examiner

*Primary Examiner* — Susan Bennett Hattan  
*Assistant Examiner* — Leanne Was-Englehart  
(74) *Attorney, Agent, or Firm* — Muncy, Geissler, Olds & Lowe, P.C.

(57) **CLAIM**

The ornamental design for a printer, as shown and described.

**DESCRIPTION**

FIG. 1 is a front right perspective view of a printer according to the present invention.  
FIG. 2 is a front view of the printer of FIG. 1.  
FIG. 3 is a rear view of the printer of FIG. 1.  
FIG. 4 is a top view of the printer of FIG. 1.  
FIG. 5 is a bottom view of the printer of FIG. 1.  
FIG. 6 is a left side view of the printer of FIG. 1; and,  
FIG. 7 is a right side view of the printer of FIG. 1.  
The dashed lines illustrate environment that does not form a part of the present invention, and no claim is made to the material illustrated with dashed lines.

**1 Claim, 6 Drawing Sheets**

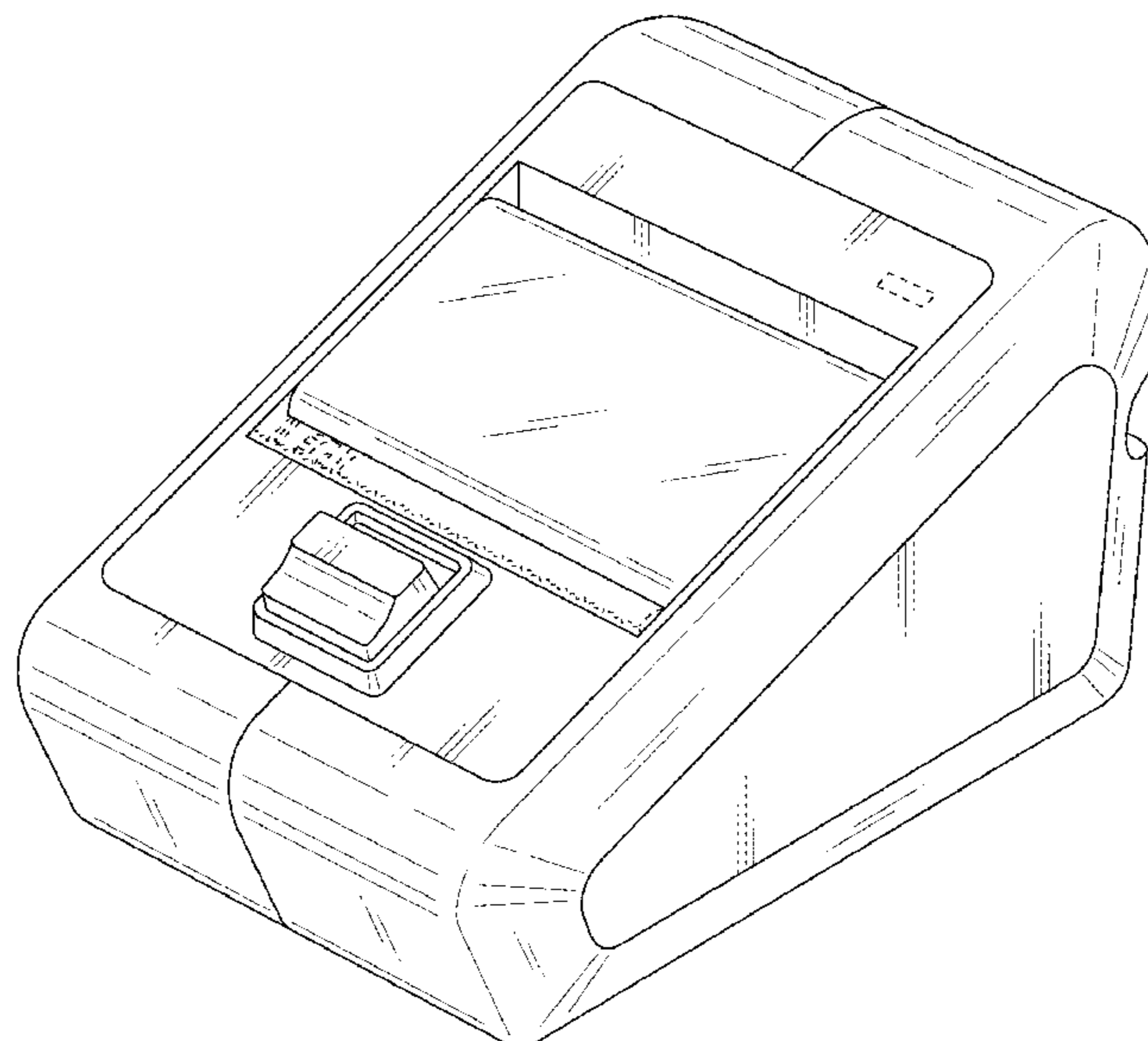


Fig. 1

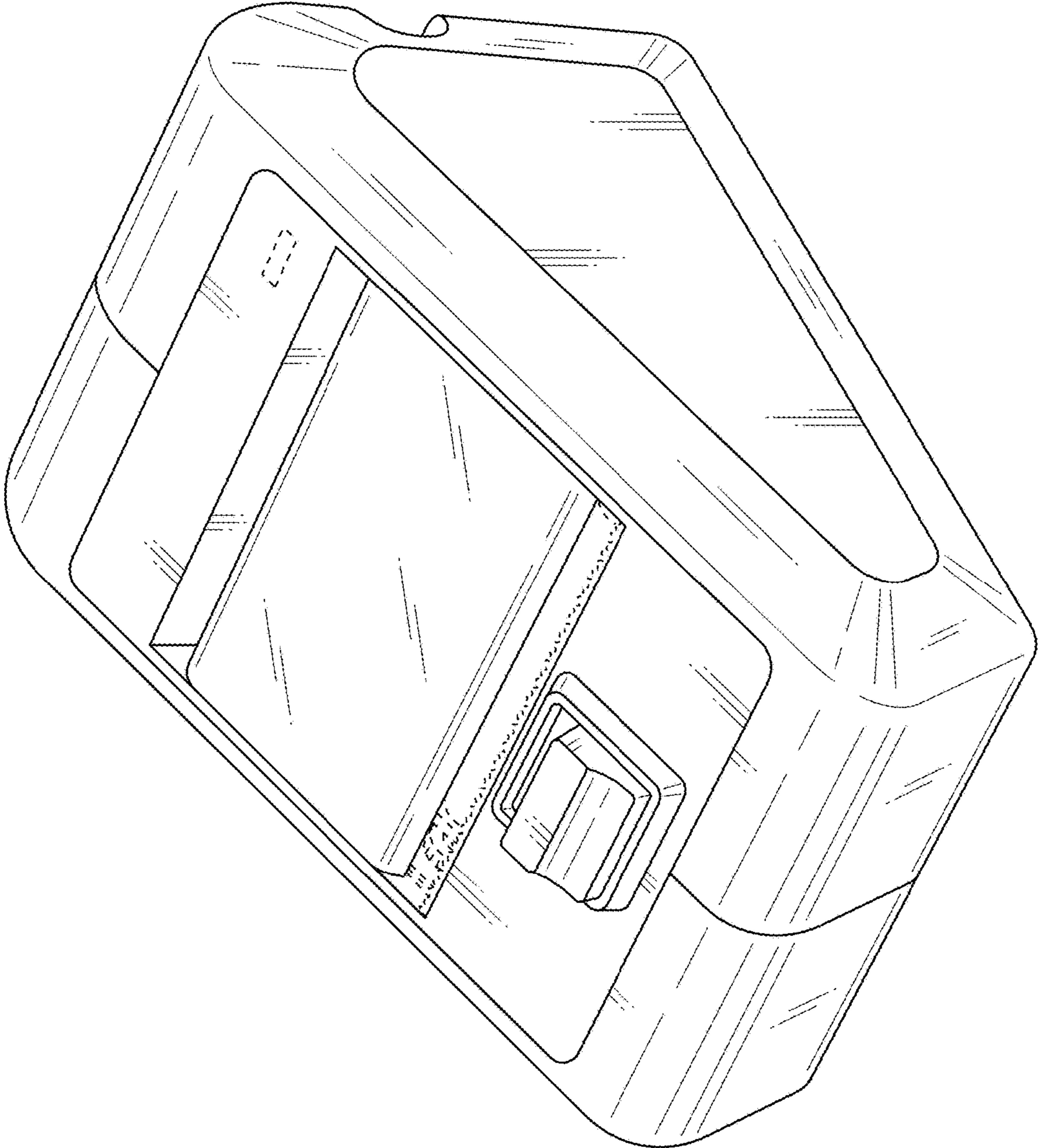


Fig. 3

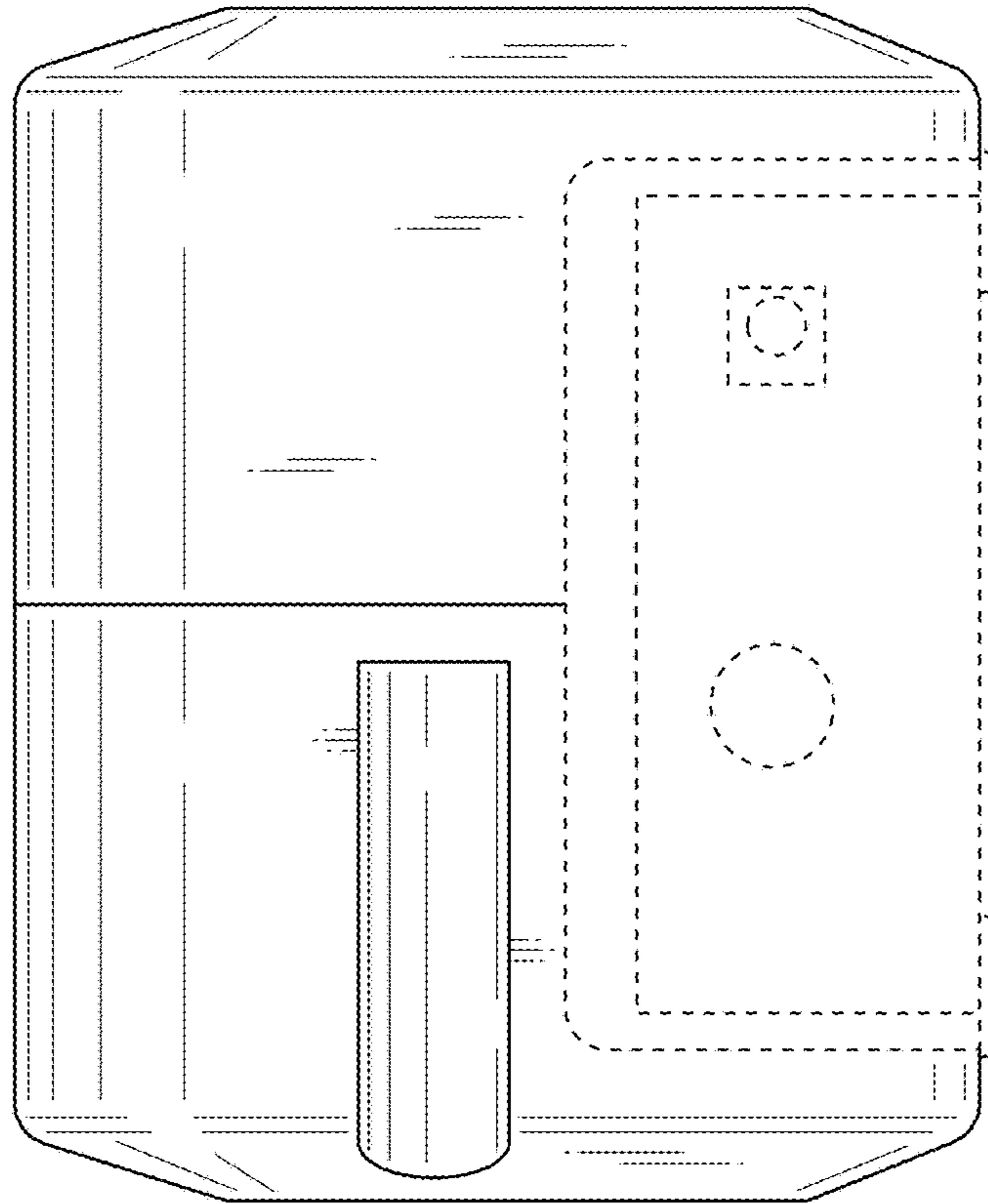


Fig. 2

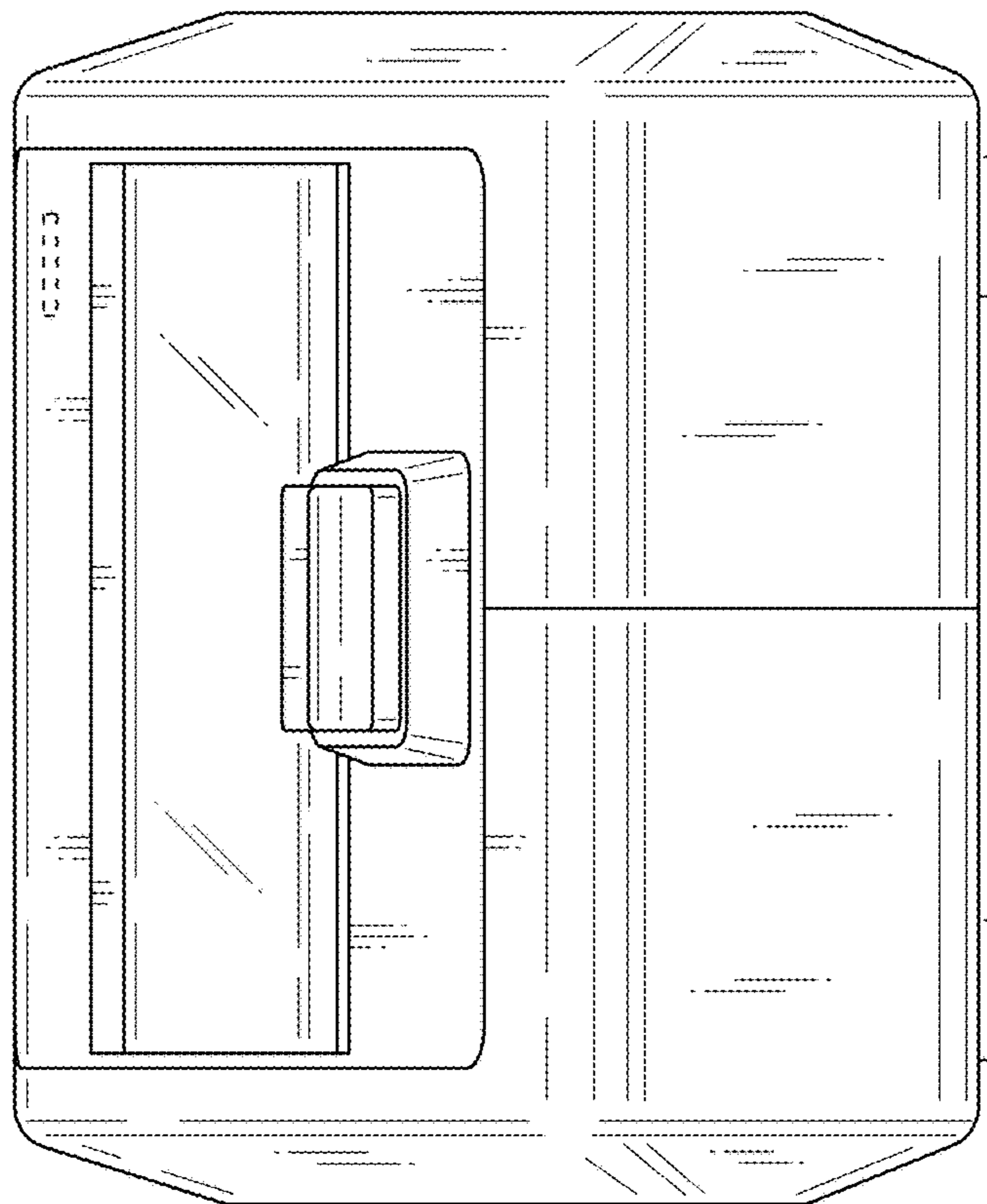


Fig. 4

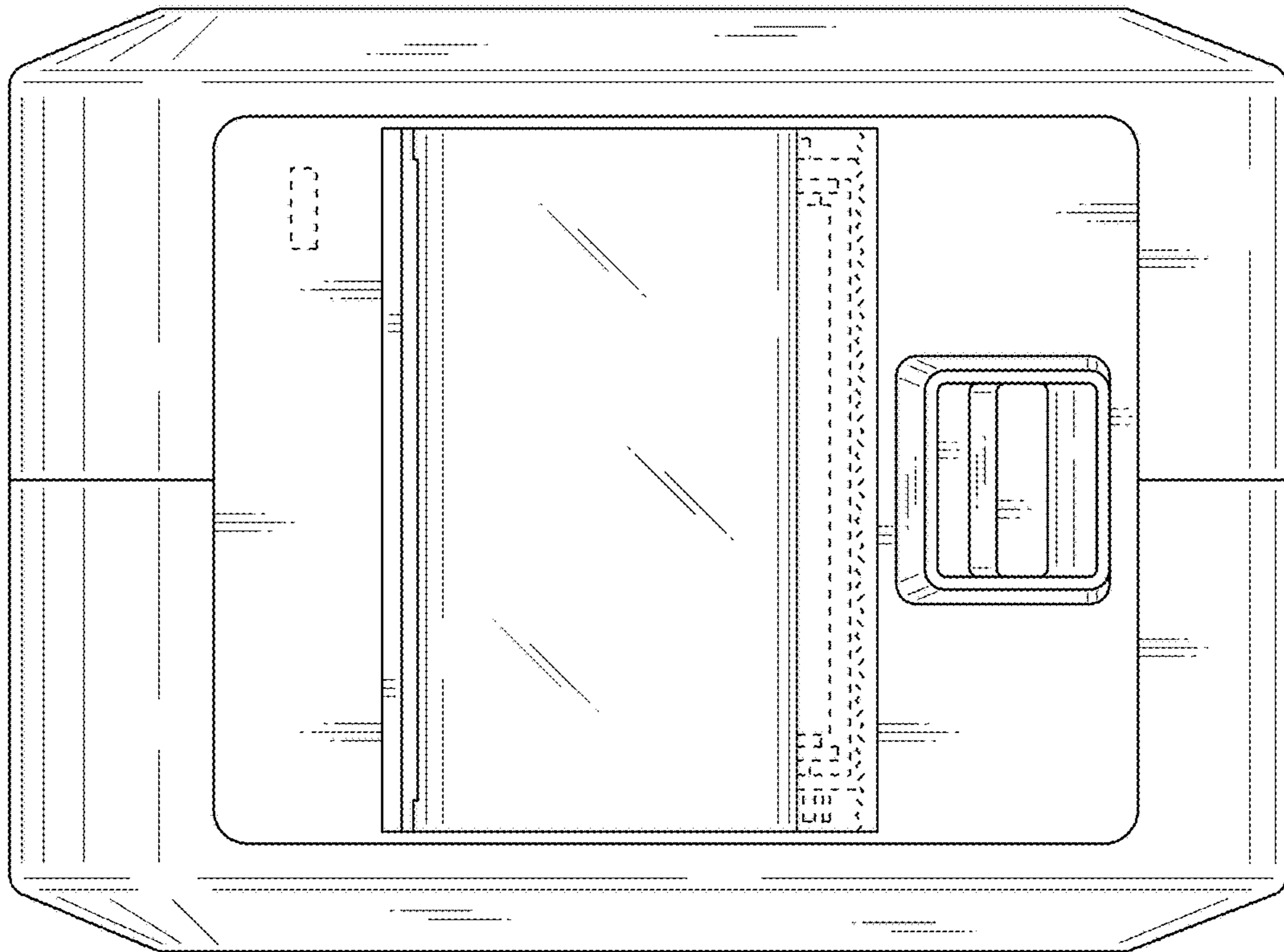


Fig. 5

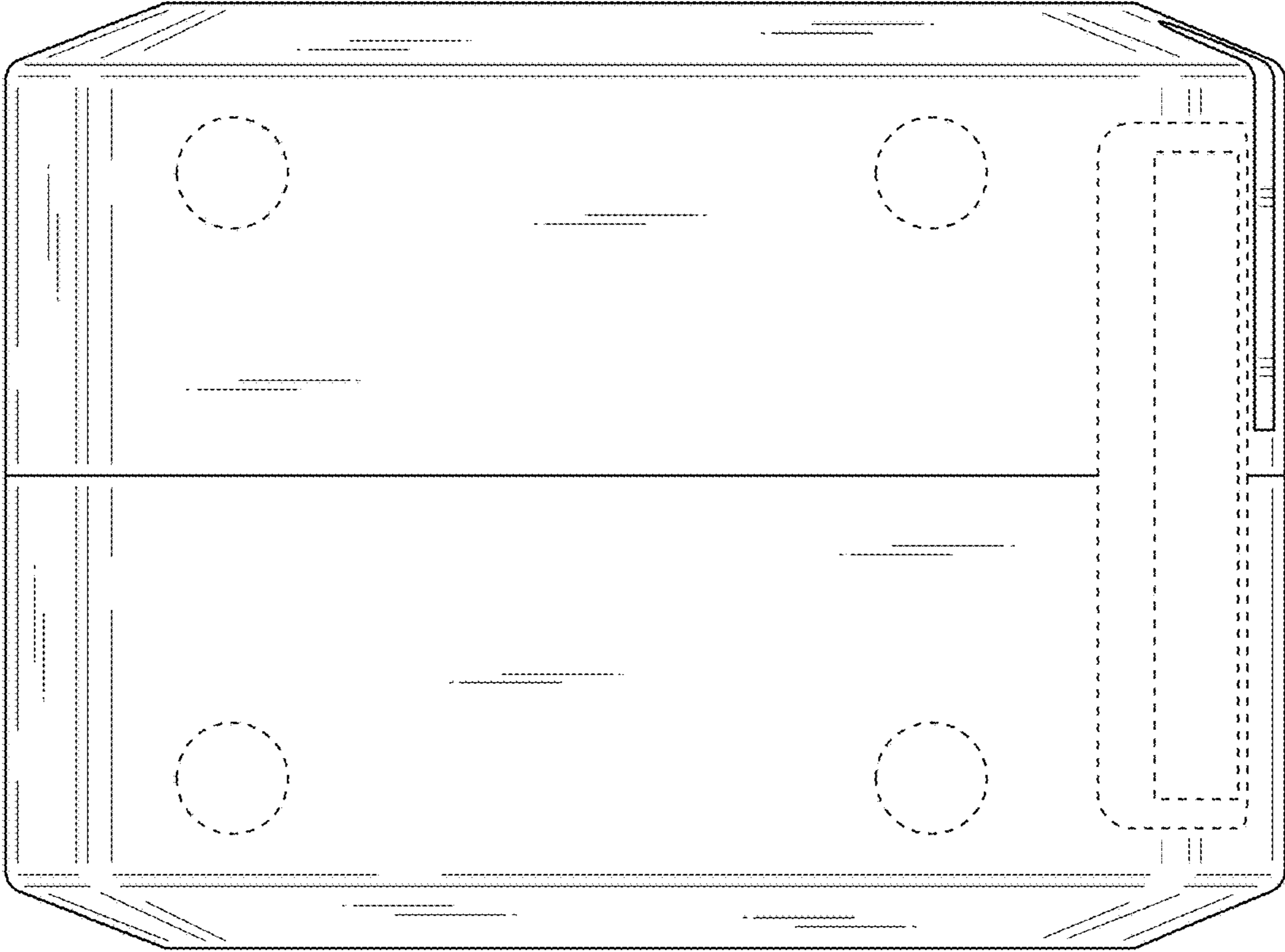


Fig. 6

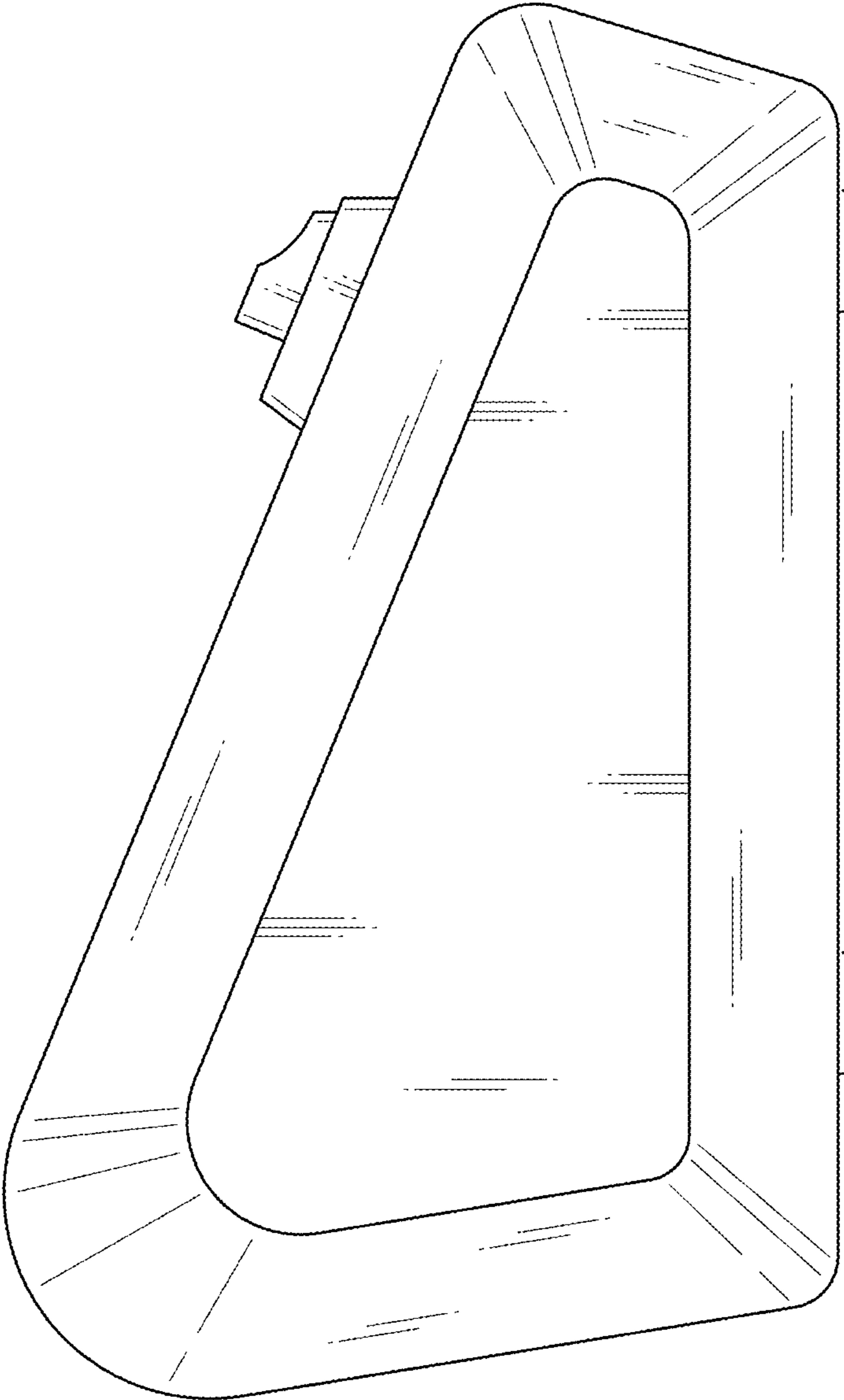


Fig. 7

