



US00D813296S

(12) **United States Design Patent**  
**Nakaeda**

(10) **Patent No.:** **US D813,296 S**  
(45) **Date of Patent:** **\*\* Mar. 20, 2018**

(54) **LABEL PRINTER**

(71) Applicant: **TOSHIBA TEC KABUSHIKI**  
**KAISHA**, Tokyo (JP)

(72) Inventor: **Masayuki Nakaeda**, Kanagawa-ken  
(JP)

(73) Assignee: **TOSHIBA TEC KABUSHIKI**  
**KAISHA**, Tokyo (JP)

(\*\*) Term: **15 Years**

(21) Appl. No.: **29/555,730**

(22) Filed: **Feb. 24, 2016**

(30) **Foreign Application Priority Data**

Sep. 7, 2015 (JP) ..... 2015-19796

(51) **LOC (11) Cl.** ..... **14-02**

(52) **U.S. Cl.**  
USPC ..... **D18/50**

(58) **Field of Classification Search**  
USPC ..... D18/4.4, 4.6, 14, 19, 54, 54.1, 55, 50  
CPC ..... B41J 3/4075; B41J 11/58; B41J 15/042;  
B41J 15/12; B41J 17/00; B41J 29/00;  
B41J 29/08  
See application file for complete search history.

(56) **References Cited**

**U.S. PATENT DOCUMENTS**

D215,676 S \* 10/1969 Majesty ..... D18/55  
D275,286 S \* 8/1984 Cless ..... D18/55

D294,357 S \* 2/1988 Klein ..... D18/55  
D323,346 S \* 1/1992 Yoshitani ..... D18/55  
D323,847 S \* 2/1992 Yoshitani ..... D18/55  
D343,410 S \* 1/1994 Sekiguchi ..... D18/50  
D544,530 S \* 6/2007 Omuro ..... D18/50  
7,872,662 B2 \* 1/2011 Ochiai ..... B41J 15/042  
347/170  
D710,438 S \* 8/2014 Kano ..... D18/50  
D739,459 S \* 9/2015 Murata ..... D18/50  
D753,217 S \* 4/2016 Ozawa ..... D18/50

\* cited by examiner

*Primary Examiner* — Cathy Anne MacCormac  
(74) *Attorney, Agent, or Firm* — Foley & Lardner LLP

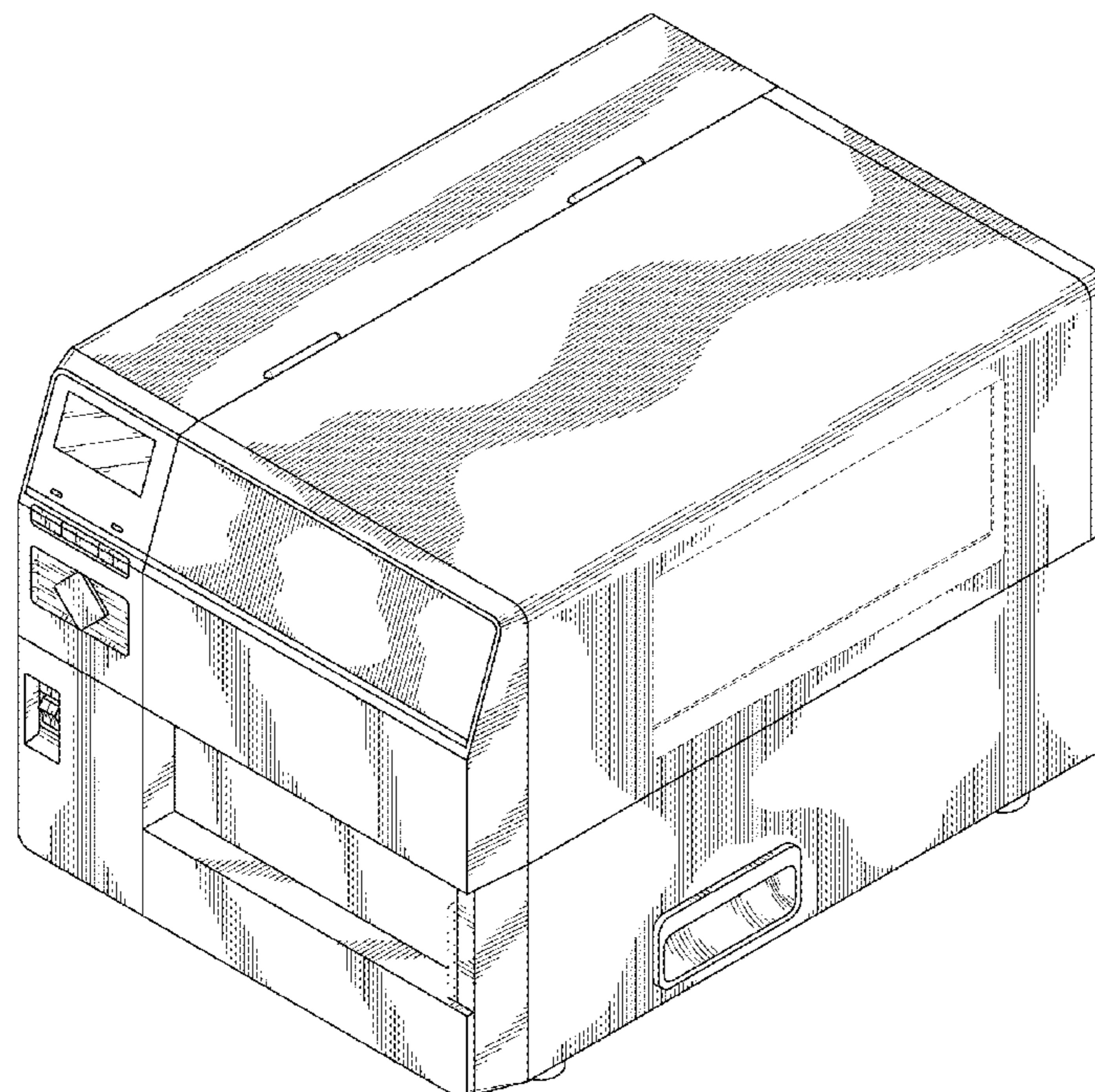
(57) **CLAIM**

The ornamental design for a label printer, as shown and described.

**DESCRIPTION**

FIG. 1 is a front perspective view of a label printer of the claimed design;  
FIG. 2 is a front view of the label printer shown in FIG. 1;  
FIG. 3 is a rear view of the label printer shown in FIG. 1;  
FIG. 4 is a top view of the label printer shown in FIG. 1;  
FIG. 5 is a bottom view of the label printer shown in FIG. 1;  
FIG. 6 is a right side view of the label printer shown in FIG. 1; and,  
FIG. 7 is a left side view of the label printer shown in FIG. 1.  
The broken lines shown in the drawings depict environmental subject matter, are for illustrative purposes only and form no part of the claimed design.

**1 Claim, 7 Drawing Sheets**



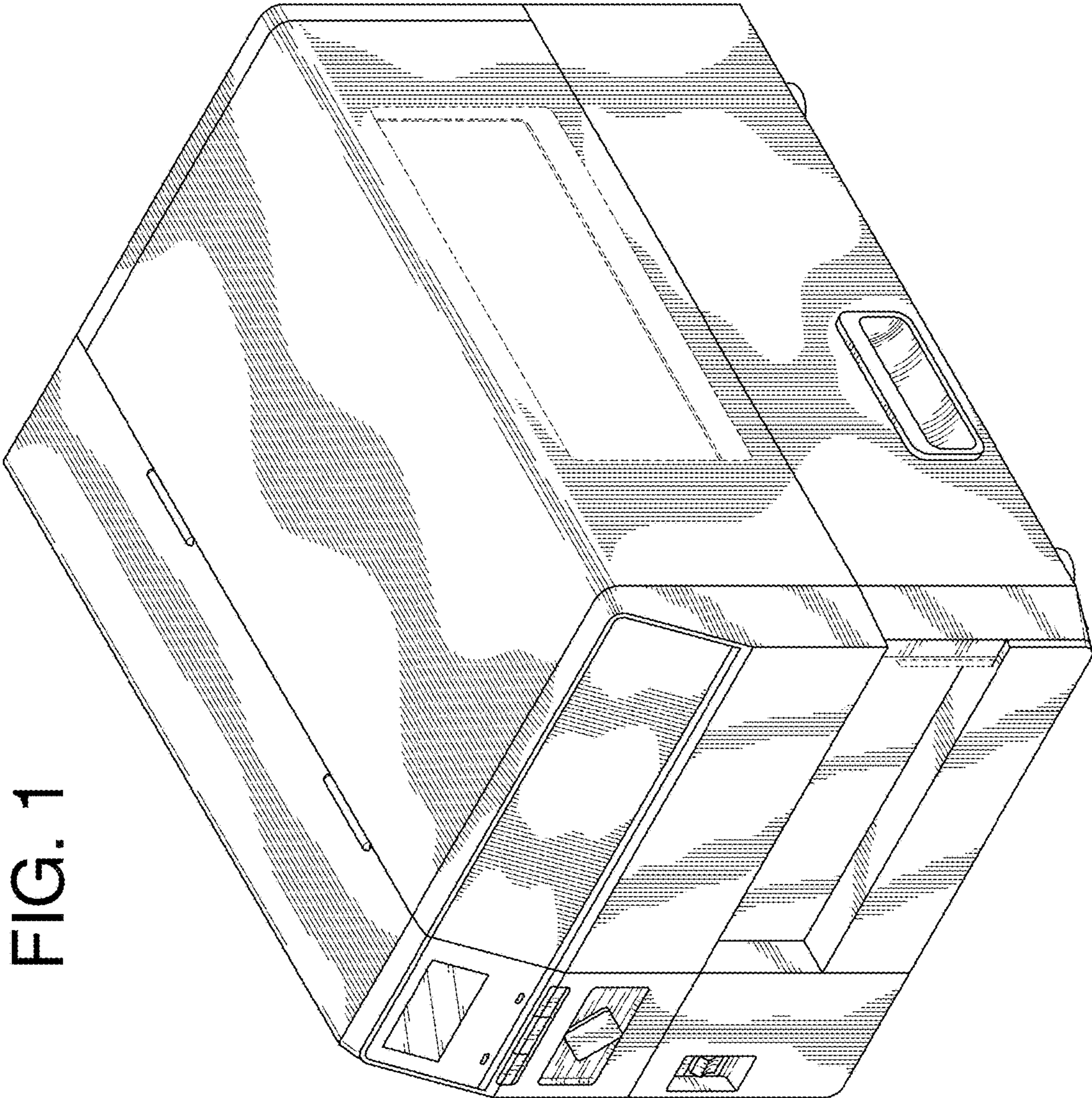


FIG. 1



FIG. 2

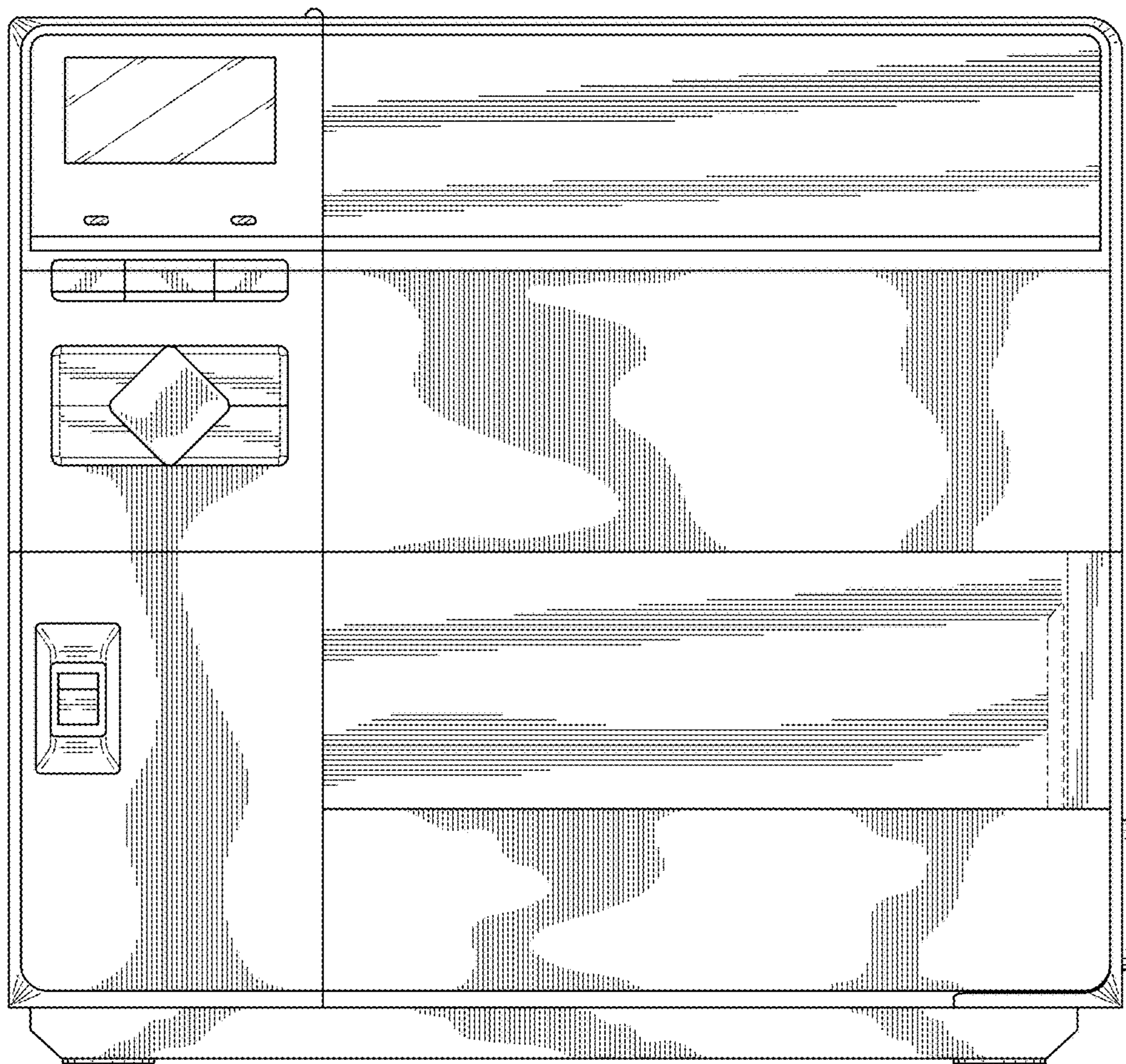


FIG. 3

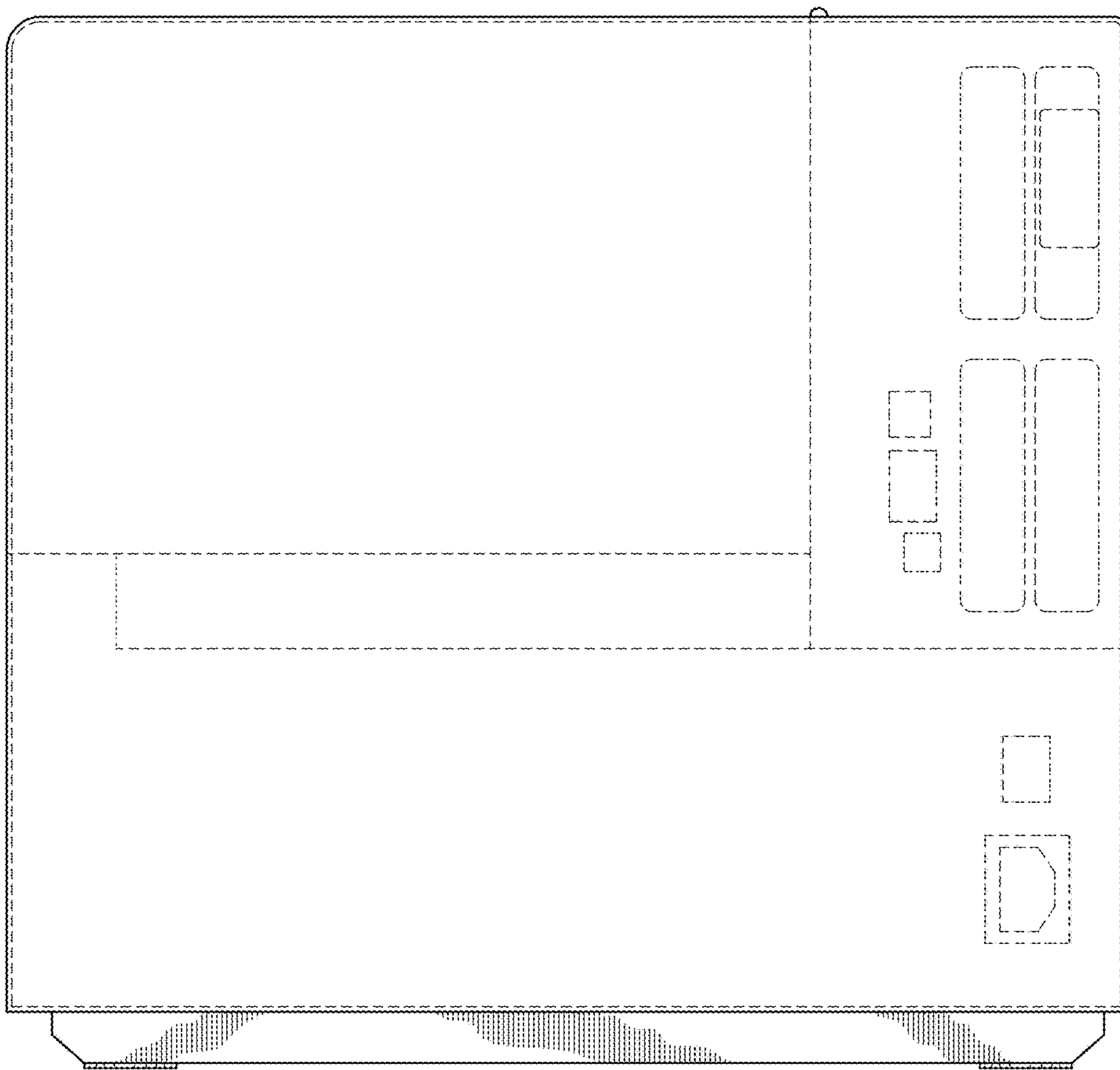


FIG. 4





FIG. 5

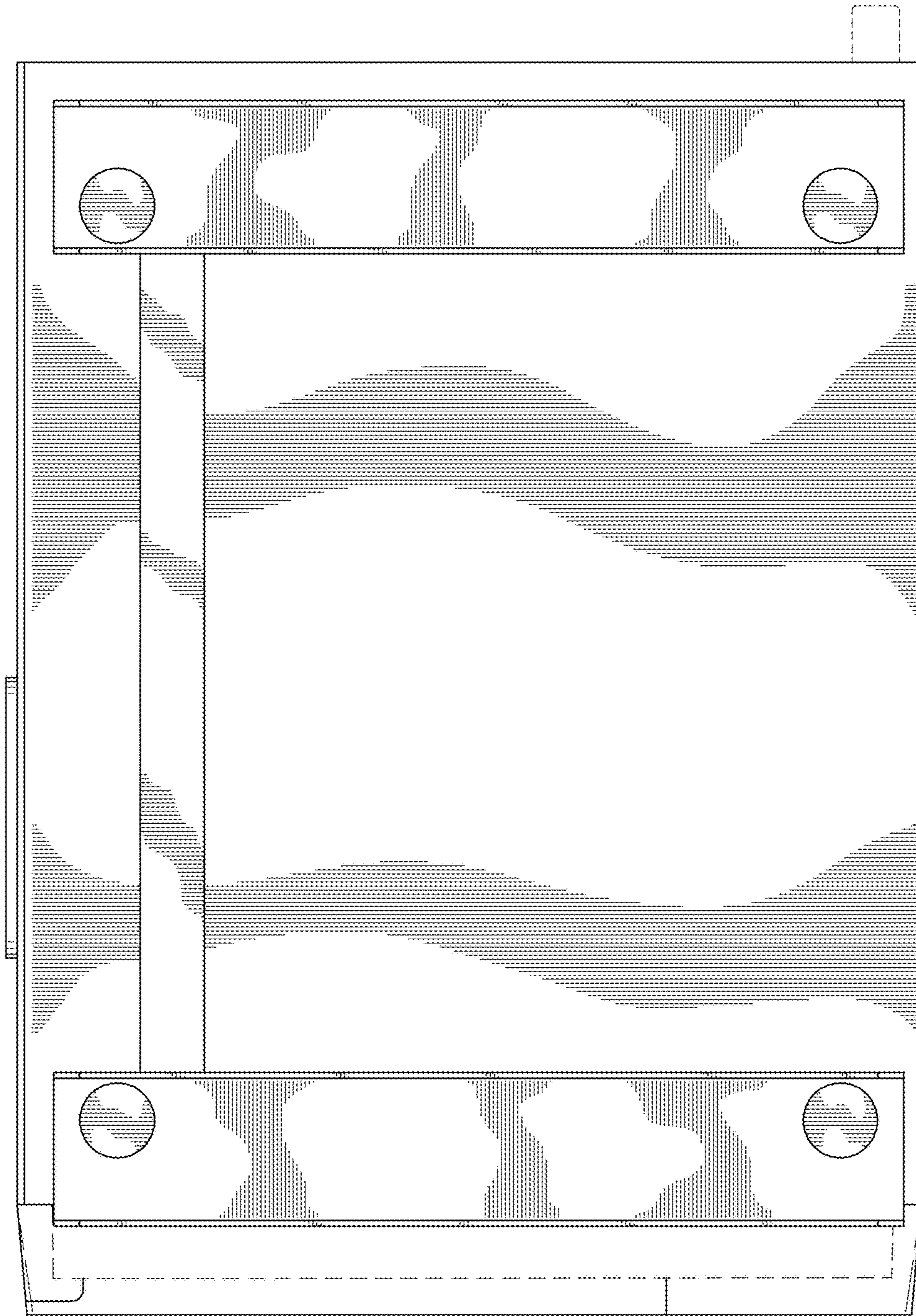


FIG. 6

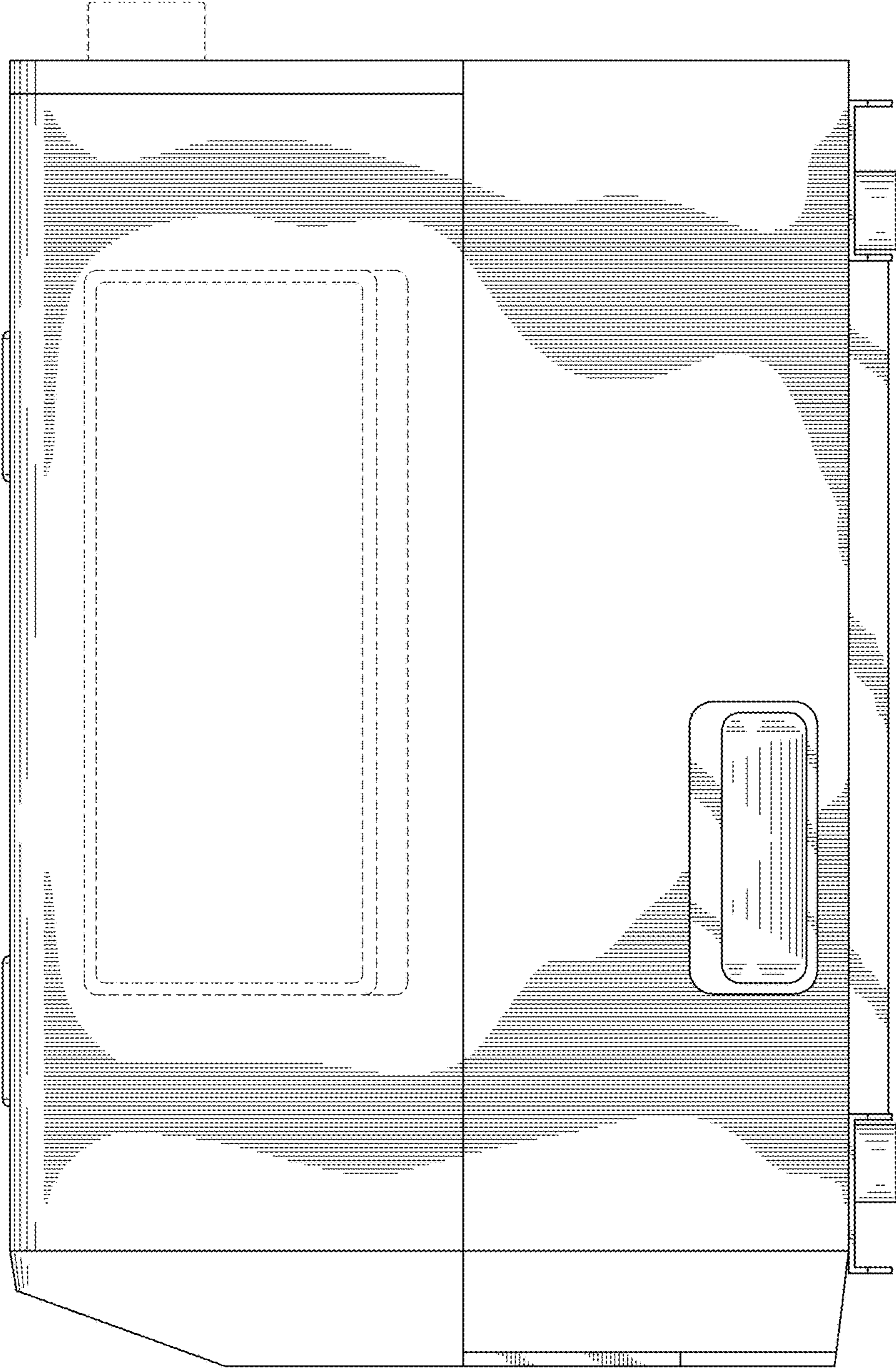


FIG. 7

