



US00D813295S

(12) **United States Design Patent**
Tsai

(10) **Patent No.:** **US D813,295 S**
(45) **Date of Patent:** **** Mar. 20, 2018**

(54) **STRINGED INSTRUMENT**

FOREIGN PATENT DOCUMENTS

(71) Applicant: **TEAM INTERNATIONAL MUSIC CO., LTD.**, Guanxi Township, Hsinchu County (TW)

CN 201430515164 * 12/2014

(72) Inventor: **Yu-Ting Tsai**, Taoyuan (TW)

(73) Assignee: **TEAM INTERNATIONAL MUSIC CO., LTD.**, Hsinchu County (TW)

OTHER PUBLICATIONS

MWE3, Richard Leo Johnson Celeste review, reviewed in 2014, [online], [site visited on Aug. 25, 2017]. Available from Internet, URL: <http://www.mwe3.com/reviews/RichardLeoJohnson2014/>.
Aving, Alien-looking Guitar, posted on Feb. 6, 2007, [online], [site visited on Dec. 19, 2017]. Available from Internet, URL: <http://us.aving.net/news/view.php?articleId=35436> (Year: 2007).*

(**) Term: **15 Years**

* cited by examiner

(21) Appl. No.: **29/581,470**

(22) Filed: **Oct. 19, 2016**

Primary Examiner — Sheryl Lane

(51) **LOC (11) Cl.** **17-03**

Assistant Examiner — Samantha N Wood

(52) **U.S. Cl.**
USPC **D17/19**; D17/18

(74) *Attorney, Agent, or Firm* — Hamre, Schumann, Mueller & Larson, P.C.

(58) **Field of Classification Search**
USPC D17/14–21, 99; D21/324
CPC G10D 1/00; G10D 1/08; G10D 1/085;
G10D 3/00; G10D 3/06; G10D 3/12;
G10D 3/02; G10H 3/00; G10H 3/18;
G10H 3/181

See application file for complete search history.

(57) **CLAIM**

The ornamental design for a stringed instrument, as shown and described.

DESCRIPTION

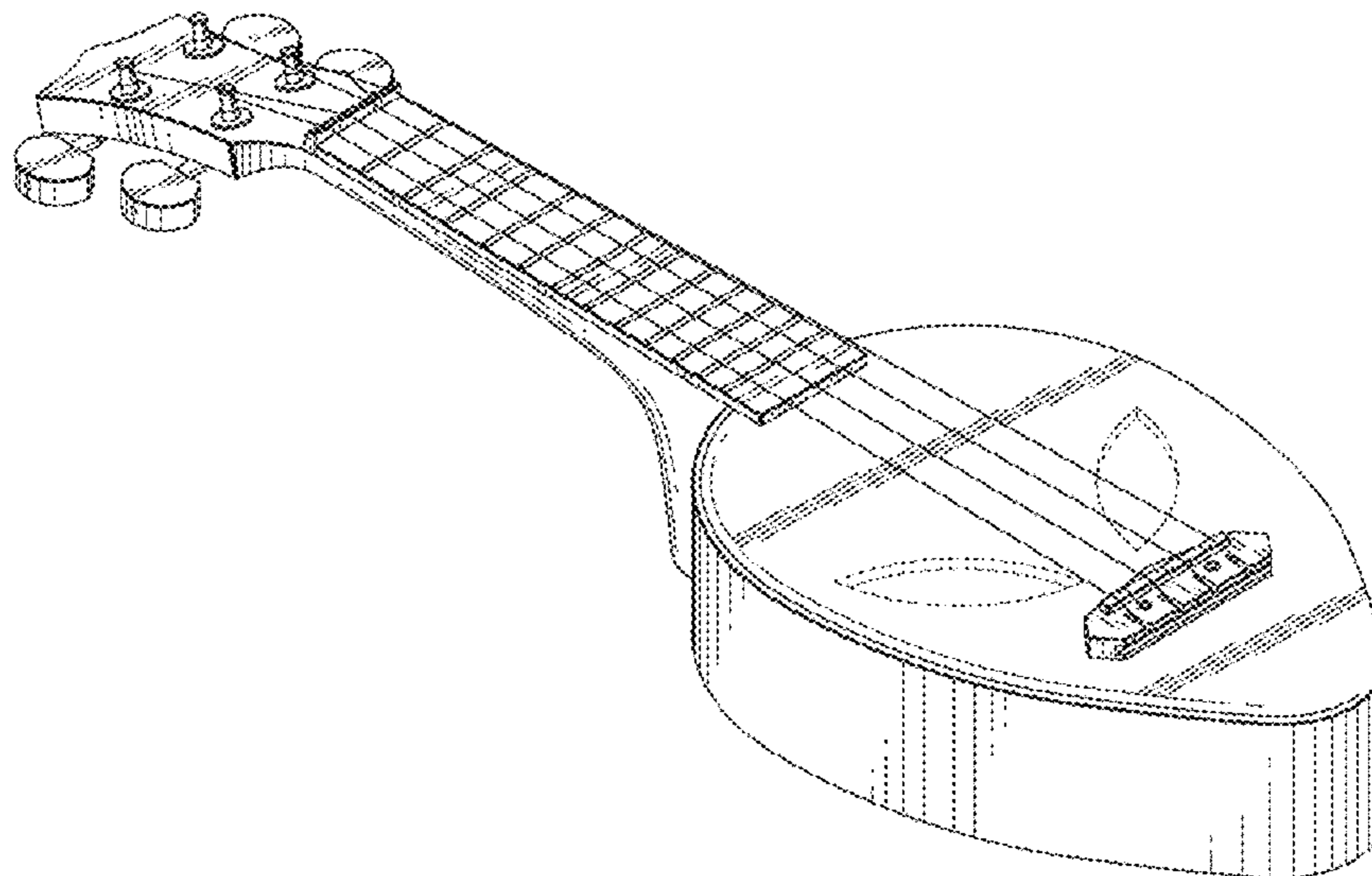
(56) **References Cited**

U.S. PATENT DOCUMENTS

D262,889 S *	2/1982	Pondunavac	17/19
D441,005 S *	4/2001	Parham, Jr.	84/322
6,329,581 B1 *	12/2001	Negin	G10D 1/00 84/267
D504,460 S *	4/2005	Harrington	17/20
D594,502 S *	6/2009	Csakvary	17/14
D650,831 S *	12/2011	Chan	17/20
D652,069 S *	1/2012	Tsai	D17/14
D674,000 S *	1/2013	Barbal	17/20
D678,394 S *	3/2013	Barbal	17/20
2004/0231487 A1 *	11/2004	Jagmin	G10D 3/02 84/291

FIG. 1 is a perspective view of a stringed instrument showing my new design;
FIG. 2 is a front elevational view thereof;
FIG. 3 is a rear elevational view thereof;
FIG. 4 is a left side elevational view thereof;
FIG. 5 is a right side elevational view thereof;
FIG. 6 is a top plan view thereof; and,
FIG. 7 is a bottom plan view thereof.
The broken lines depict portions of a stringed instrument in which the design is embodied that form no part of the claimed design.

1 Claim, 5 Drawing Sheets



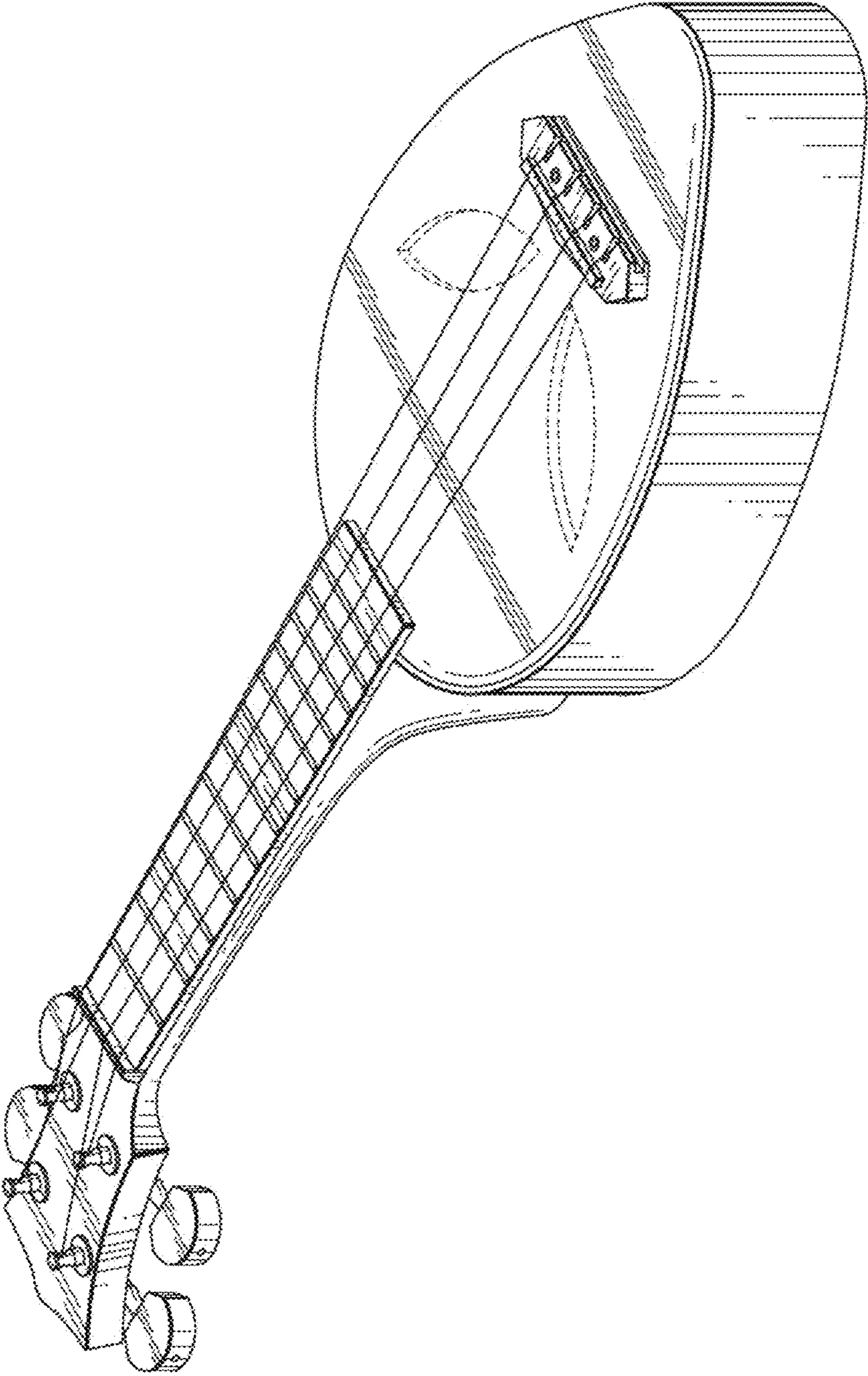


FIG. 1

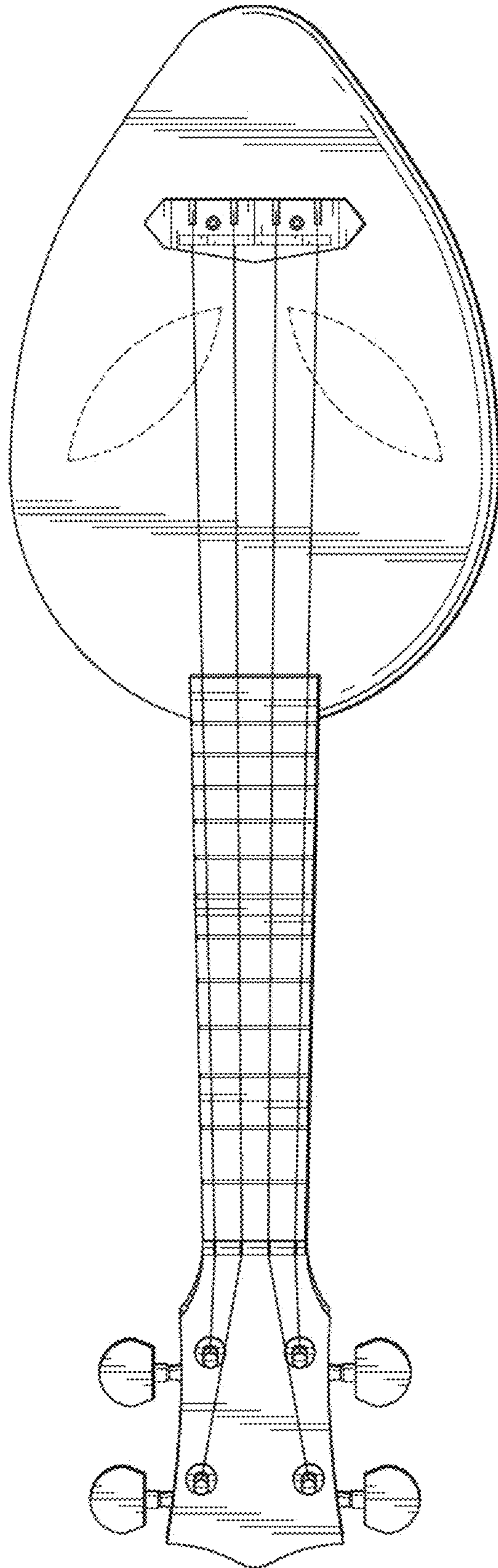


FIG. 2

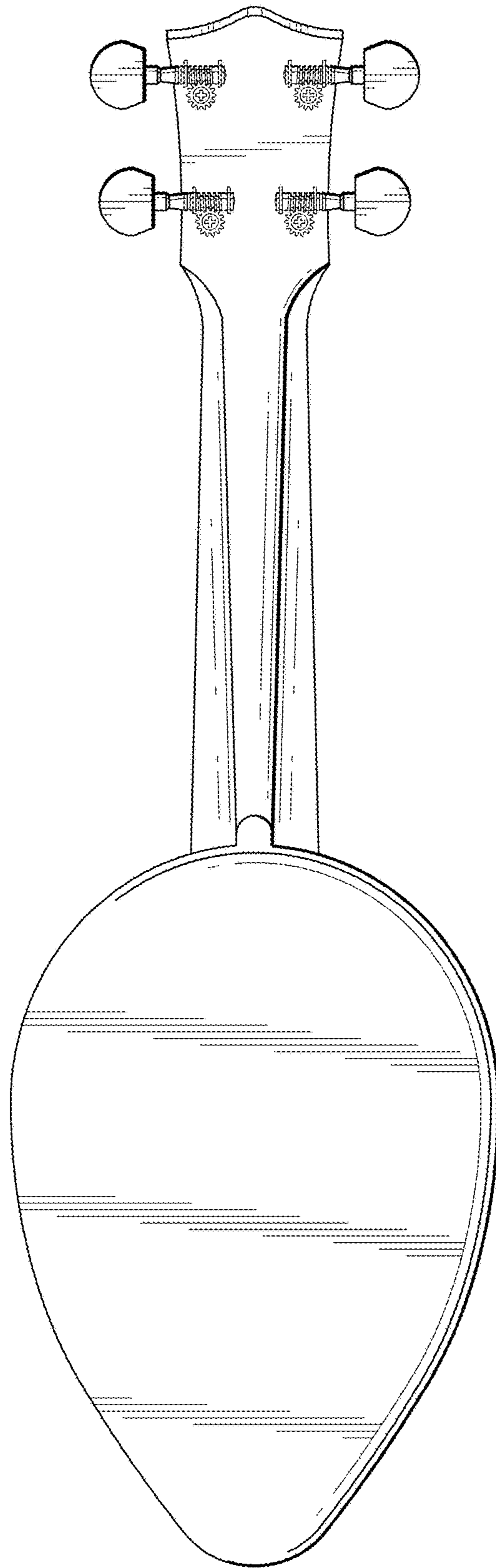


FIG. 3

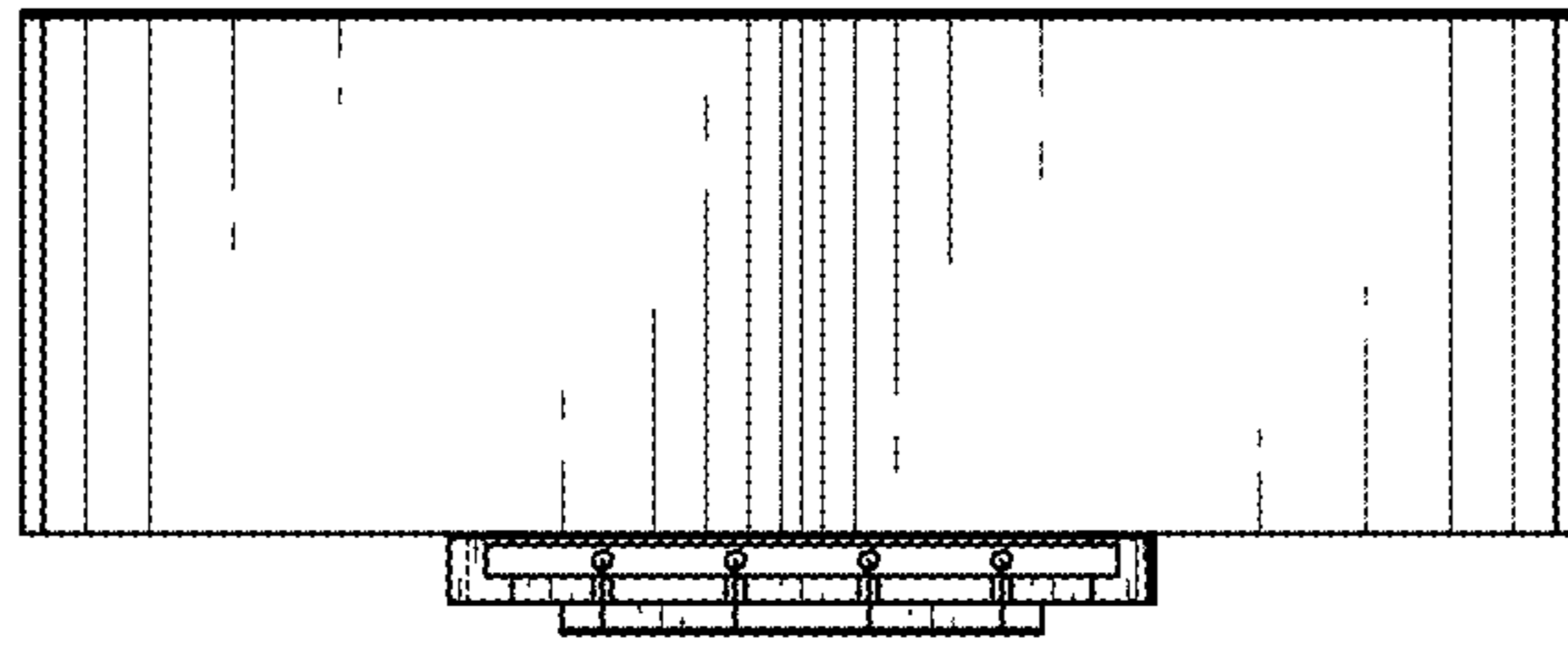


FIG. 5

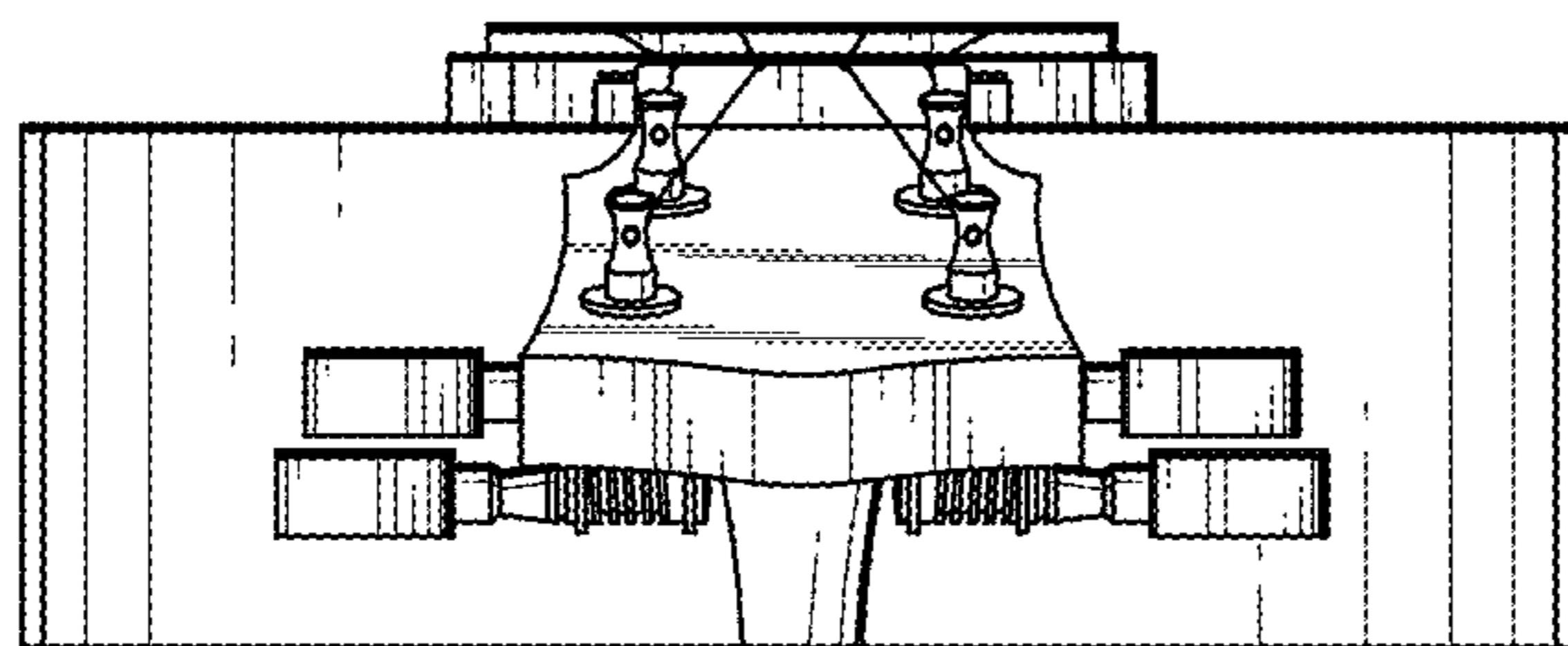


FIG. 4

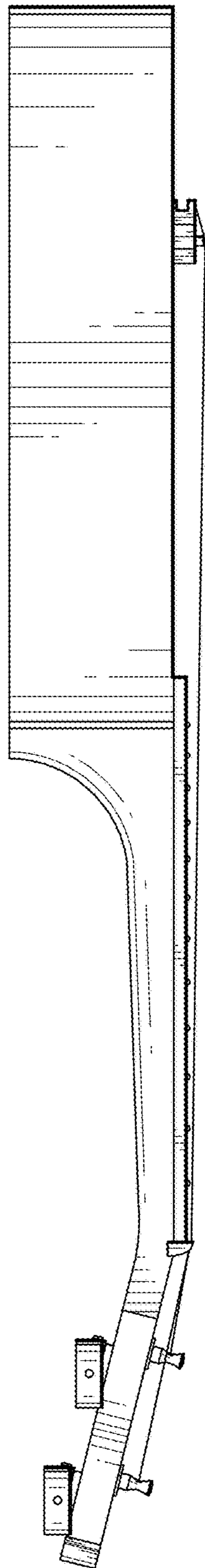


FIG. 6

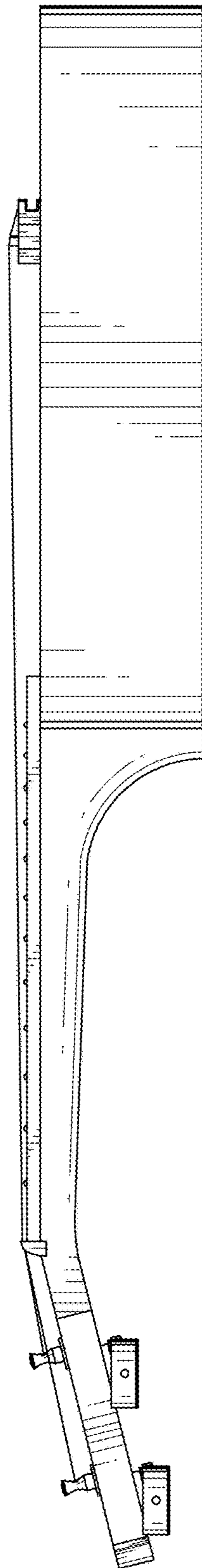


FIG. 7