



US00D813291S

(12) **United States Design Patent**
Wu et al.

(10) **Patent No.:** **US D813,291 S**
(45) **Date of Patent:** **** Mar. 20, 2018**

(54) **MONITORING CAMERA**

(71) Applicant: **GeoVision Inc.**, Taipei (TW)

(72) Inventors: **Chih-Ming Wu**, New Taipei (TW);
Min-Wei Chen, Taipei (TW); **Ying-Ta Liu**, Taipei (TW)

(73) Assignee: **GeoVision Inc.**, Taipei (TW)

(**) Term: **15 Years**

(21) Appl. No.: **29/581,544**

(22) Filed: **Oct. 20, 2016**

(51) **LOC (11) Cl.** **16-05**

(52) **U.S. Cl.**
USPC **D16/219**; D16/203

(58) **Field of Classification Search**
USPC D16/200, 202–206, 218, 219, 242;
348/143, 148, 151, 373–376; 396/419,
396/427, 535, 539–541
CPC G03B 17/02; G03B 19/04; G03B 17/56;
G03B 17/04; G03B 15/03; H04N 5/2251;
H04N 5/2252; H04N 5/2253; H04N
5/2254; H04N 7/181; H04N 7/183; H04N
7/18; G08B 13/1963; G08B 13/19619;
G08B 13/19632; F16M 11/04; F16M
13/00

See application file for complete search history.

(56) **References Cited**

U.S. PATENT DOCUMENTS

D435,577 S * 12/2000 McBride D16/203
D705,334 S * 5/2014 Fransson D16/203

D740,341 S * 10/2015 Wada D16/203
D744,570 S * 12/2015 Criscuolo D16/203
D746,349 S * 12/2015 Yung D16/203
D747,383 S * 1/2016 Li D16/203
D753,205 S * 4/2016 Stark D16/203
D753,753 S * 4/2016 Moon D16/203
D776,181 S * 1/2017 Dortch D16/203

* cited by examiner

Primary Examiner — Philip S Hyder

Assistant Examiner — Ramzi Almatrahi

(74) *Attorney, Agent, or Firm* — Winston Hsu

(57) **CLAIM**

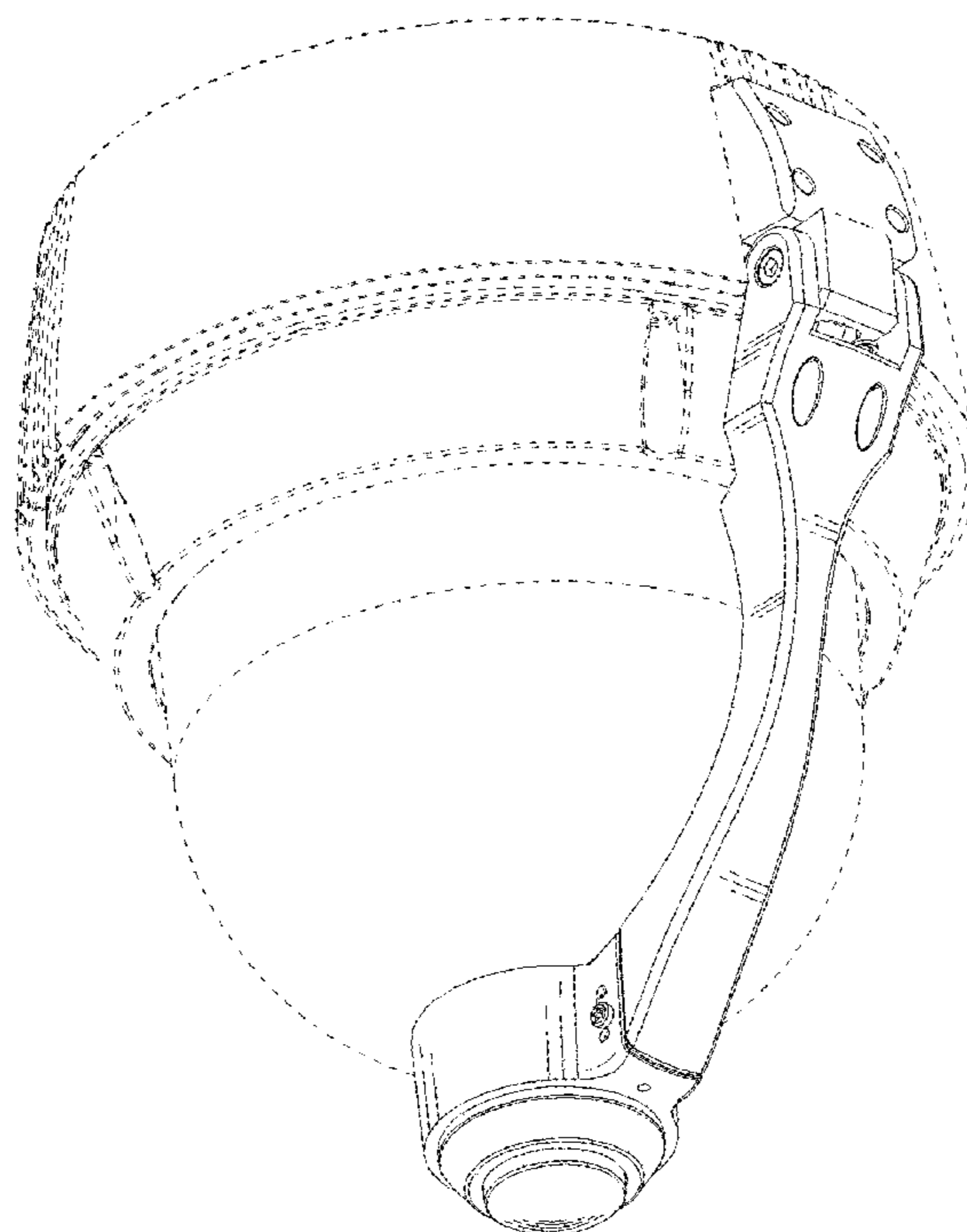
The ornamental design for a monitoring camera, as shown and described.

DESCRIPTION

FIG. 1 is a rear, right, bottom perspective view of a monitoring camera showing our new design;
FIG. 2 is a front view thereof;
FIG. 3 is a rear view thereof;
FIG. 4 is a left side view thereof;
FIG. 5 is a right side view thereof;
FIG. 6 is a top view thereof; and,
FIG. 7 is a bottom view thereof.

The broken lines depict portions of a monitoring camera in which the design is embodied and form no part of the claimed design.

1 Claim, 7 Drawing Sheets



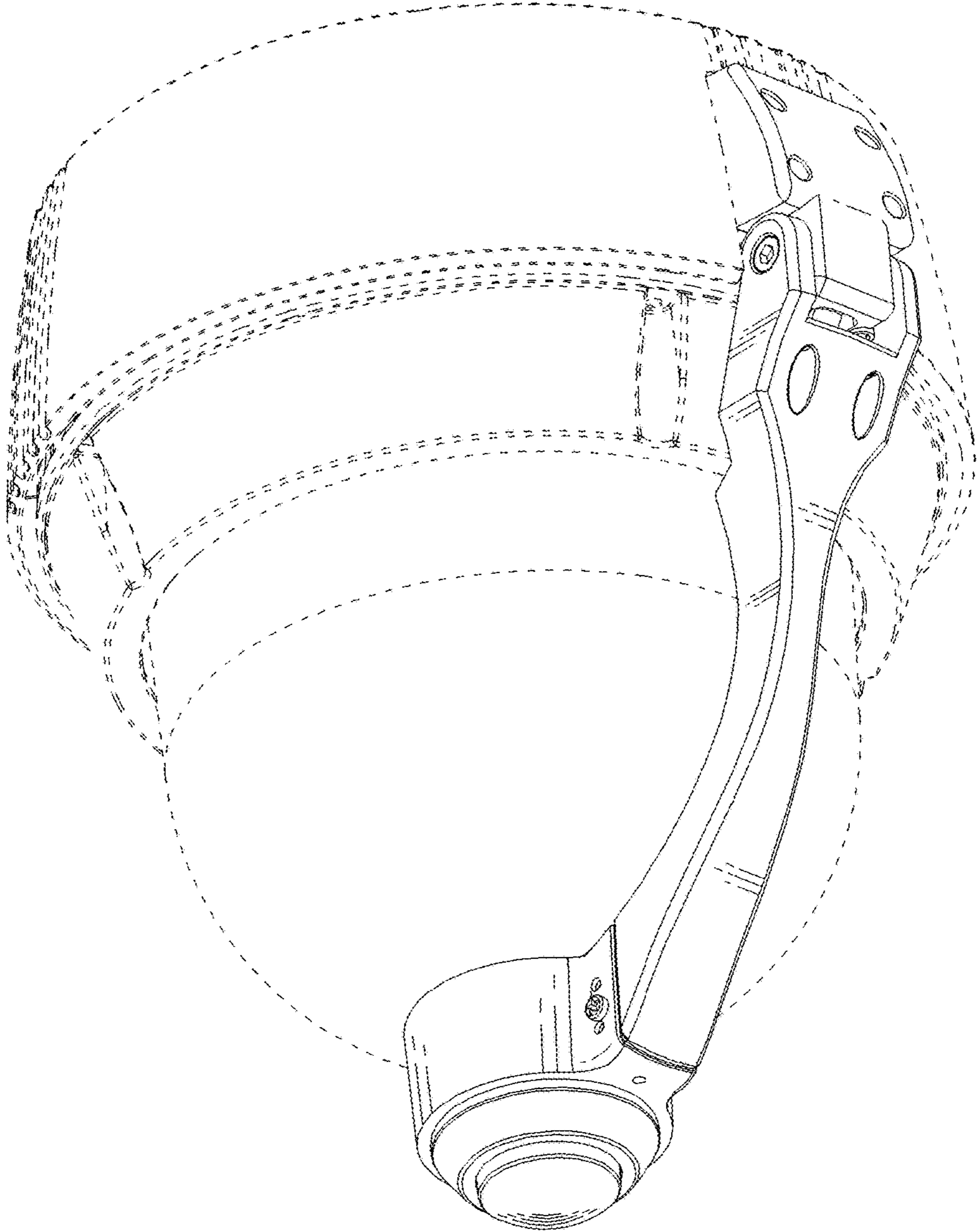


FIG. 1

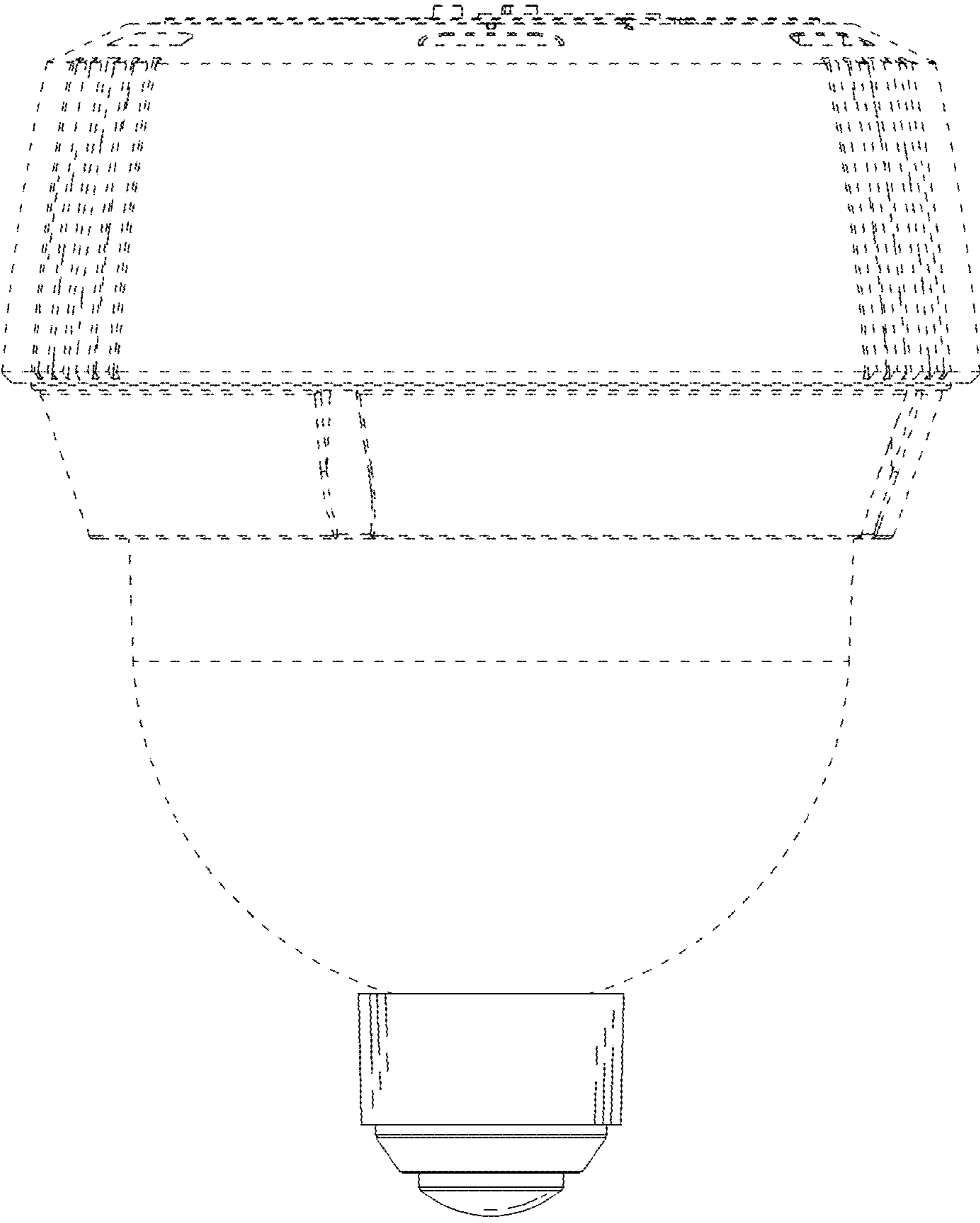


FIG. 2

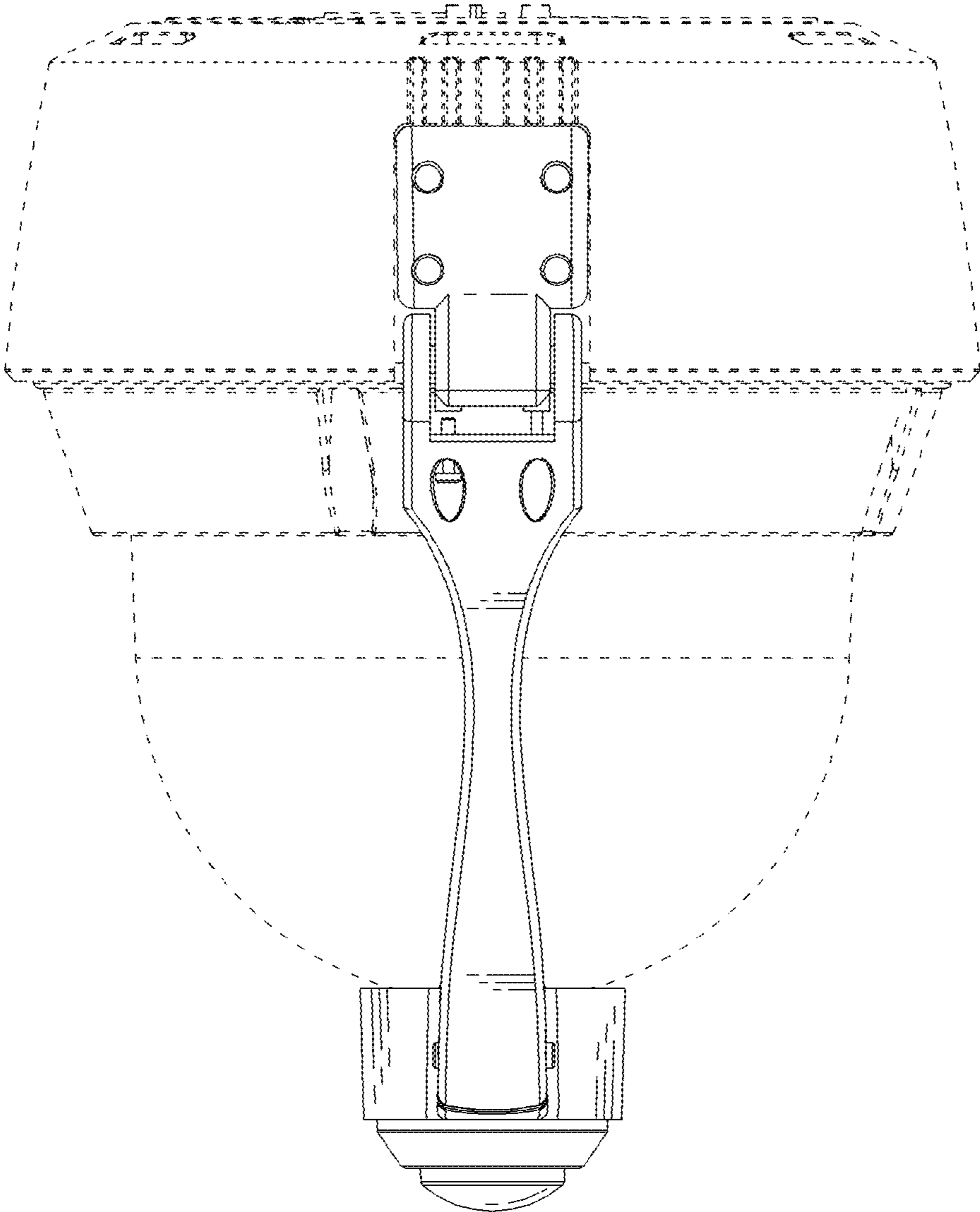


FIG. 3

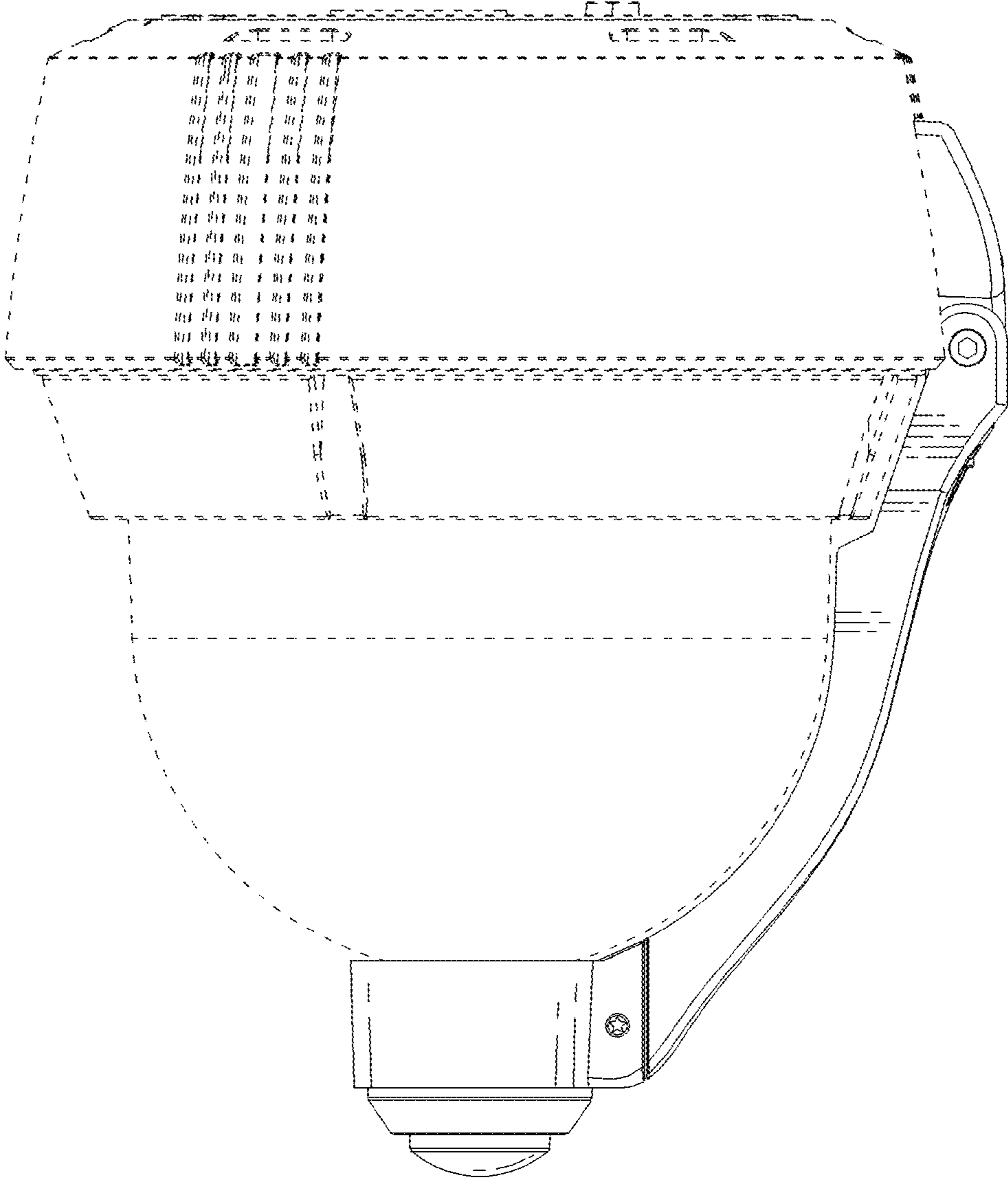


FIG. 5

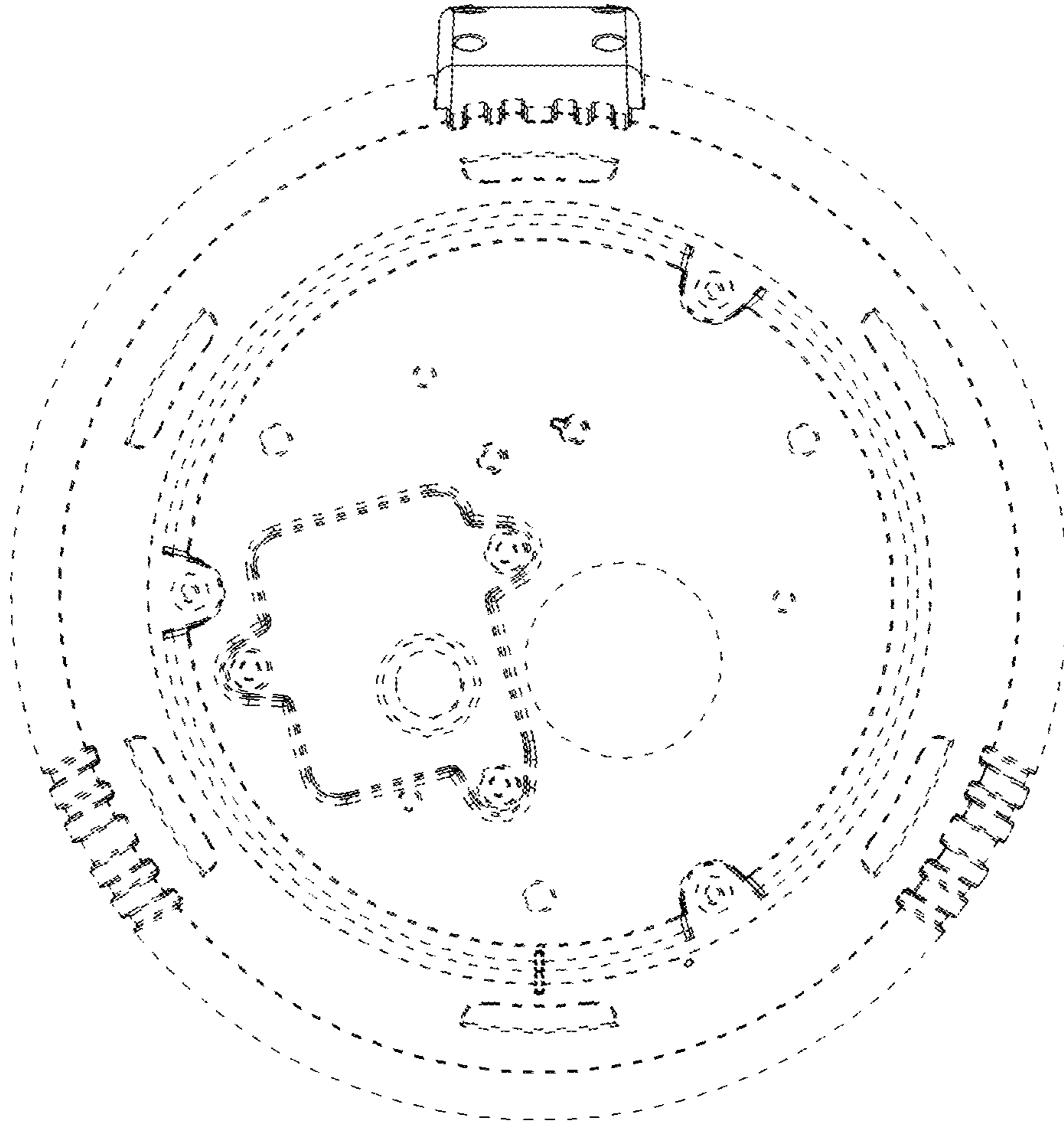


FIG. 6

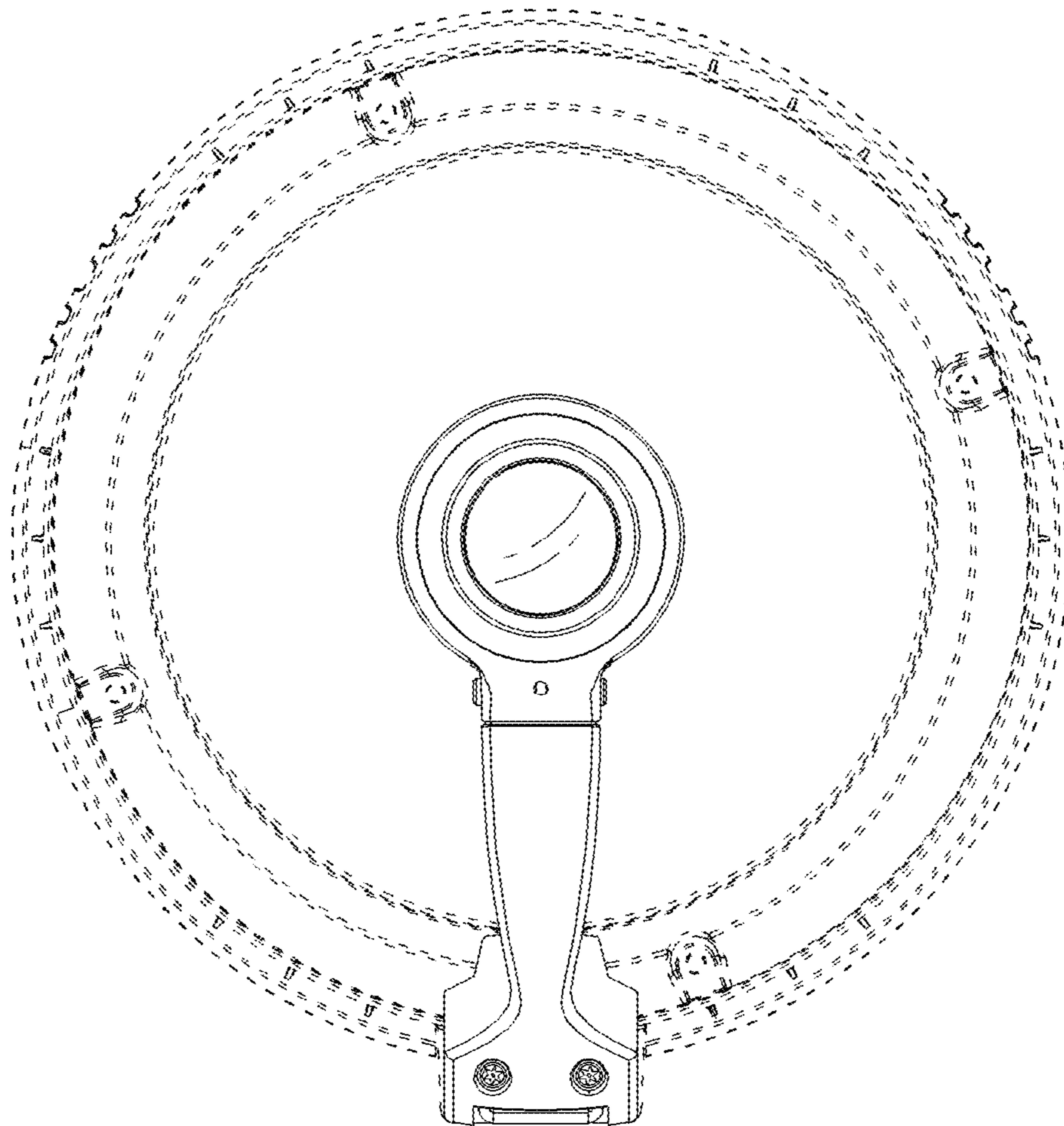


FIG. 7