



US00D813290S

(12) **United States Design Patent**  
**Song**

(10) **Patent No.:** **US D813,290 S**

(45) **Date of Patent:** **\*\* Mar. 20, 2018**

(54) **CAMERA**

(71) Applicant: **Xiaoyi Technology Co., Ltd.**, Shanghai (CN)

(72) Inventor: **Ye Song**, Shanghai (CN)

(73) Assignee: **SHANGHAI XIAOYI TECHNOLOGY CO., LTD.**, Shanghai (CN)

(\*\*) Term: **15 Years**

(21) Appl. No.: **29/569,781**

(22) Filed: **Jun. 30, 2016**

(30) **Foreign Application Priority Data**

Jun. 14, 2016 (CN) ..... 2016 3 0237909

(51) **LOC (11) Cl.** ..... **16-01**

(52) **U.S. Cl.**

USPC ..... **D16/203**

(58) **Field of Classification Search**

USPC ..... D16/200-220, 242, 243, 244, 134;  
D26/24, 36, 72, 79, 123, 138, 88, 120;  
D11/146; D10/104.1, 104.2, 106.1,  
D10/106.2, 106.5; D9/544, 558, 777,  
D9/691, 689, 516, 505, 764; D7/610;  
D23/223, 229, 255

CPC .. H04N 3/08; H04N 5/23248; H04N 5/23287;  
H04N 5/23258; H04N 5/2251; H04N  
5/2252; H04N 7/181; H04N 7/183; H04N  
7/18; H04N 2007/145; G01C 11/025;  
G03B 15/00; G03B 15/03; G03B 17/56;  
G03B 17/02; G03B 17/30; G03B 17/04;  
G03B 17/00; G03B 19/04; G03B 3/00;  
G08B 13/19619; G08B 13/1963; G08B  
13/19632; B60R 1/00; B60R 2300/105;  
F16M 11/04; F16M 13/00; Y02E 60/12

See application file for complete search history.

(56) **References Cited**

U.S. PATENT DOCUMENTS

D470,874 S \* 2/2003 Chiu ..... D16/202  
D478,108 S \* 8/2003 Miyazaki ..... D16/202  
D552,650 S \* 10/2007 Yamakawa ..... D16/203  
D609,732 S \* 2/2010 Frank ..... D16/203  
D728,654 S \* 5/2015 Lee ..... D16/202  
9,075,290 B1 \* 7/2015 Thieman ..... G03B 17/561  
D737,698 S \* 9/2015 Dispenza ..... D10/53

(Continued)

OTHER PUBLICATIONS

YI Dome Camera, Jul. 21, 2016, [site visited Mar. 14, 2017], Available from Internet, URL: <<https://www.amazon.com/YI-Camera-Wireless-Security-Surveillance/dp/B01CW4BG4K>>.\*

(Continued)

*Primary Examiner* — Barbara Fox

*Assistant Examiner* — Mary C Ramirez

(74) *Attorney, Agent, or Firm* — Finnegan, Henderson, Farabow, Garrett & Dunner, LLP

(57) **CLAIM**

The ornamental design for a camera, as shown and described.

**DESCRIPTION**

FIG. 1 is a top, front, right perspective view of a camera, showing my new design;

FIG. 2 is a top, rear, left perspective view thereof;

FIG. 3 is a front elevation view thereof;

FIG. 4 is a rear elevation view thereof;

FIG. 5 is a left side elevation view thereof;

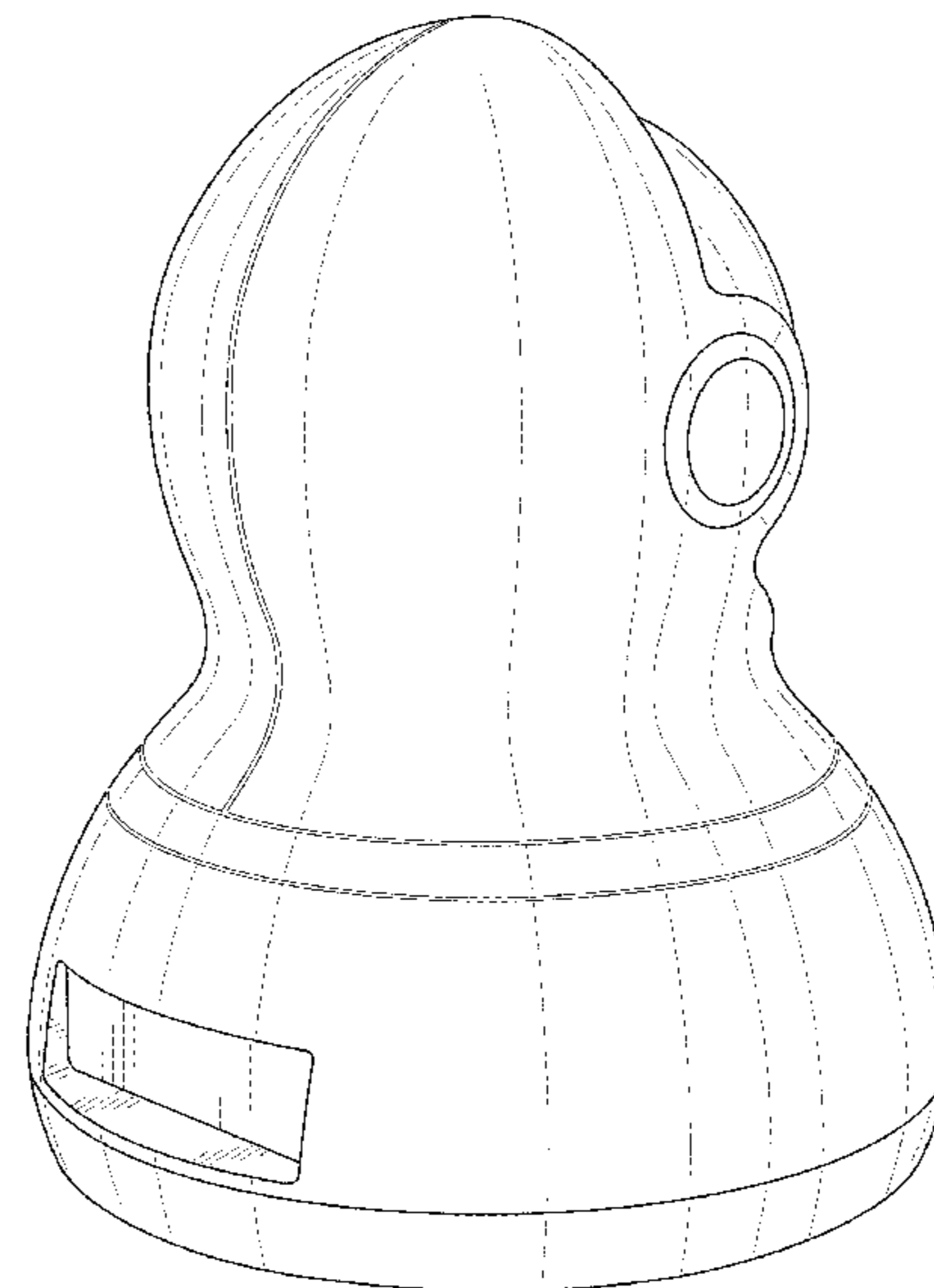
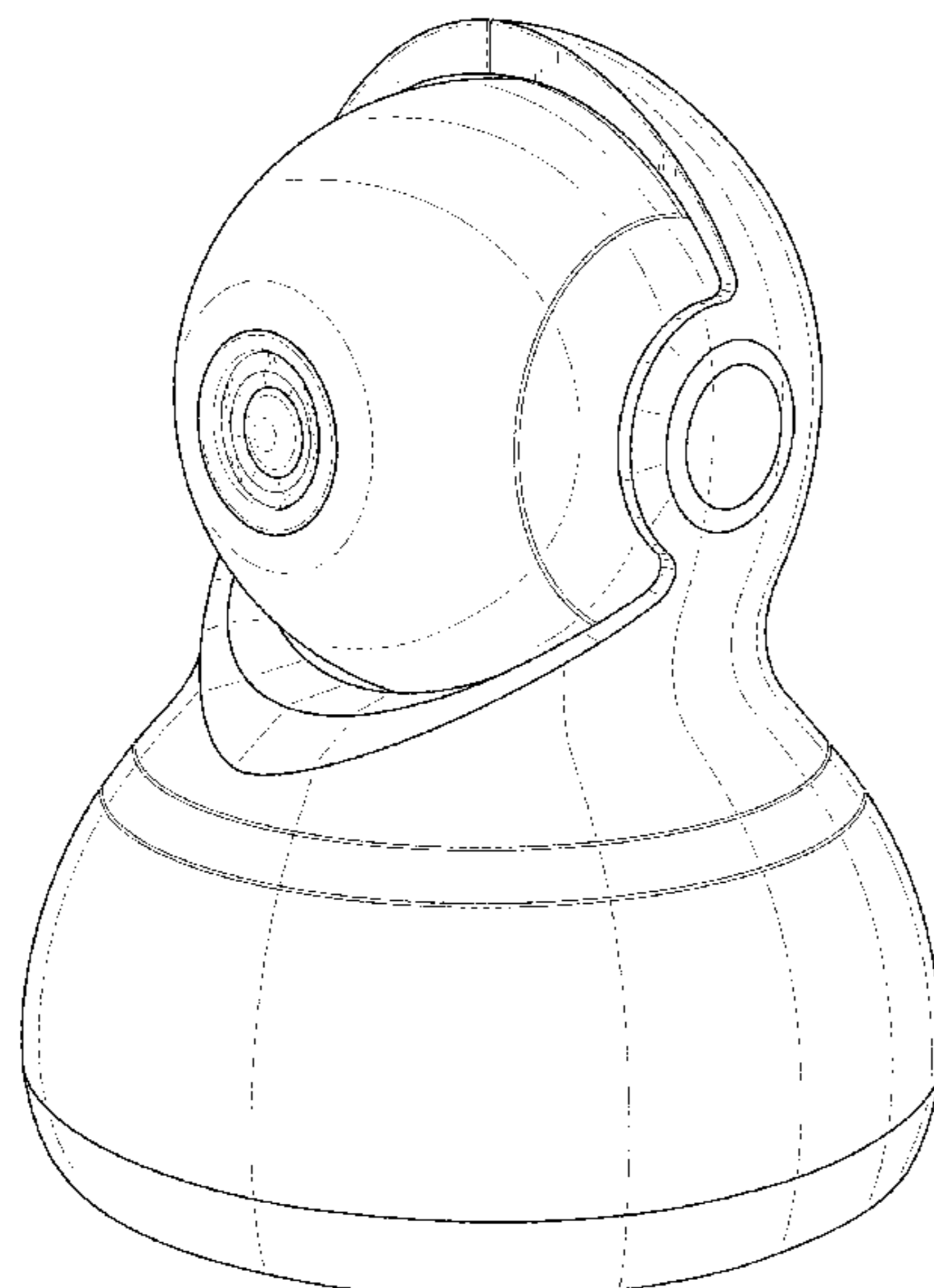
FIG. 6 is a right side elevation view thereof;

FIG. 7 is a top plan view thereof; and,

FIG. 8 is a bottom plan view thereof.

The broken lines of even length shown in the drawings illustrate portions of the camera that form no part of the claimed design.

**1 Claim, 8 Drawing Sheets**



(56)

**References Cited**

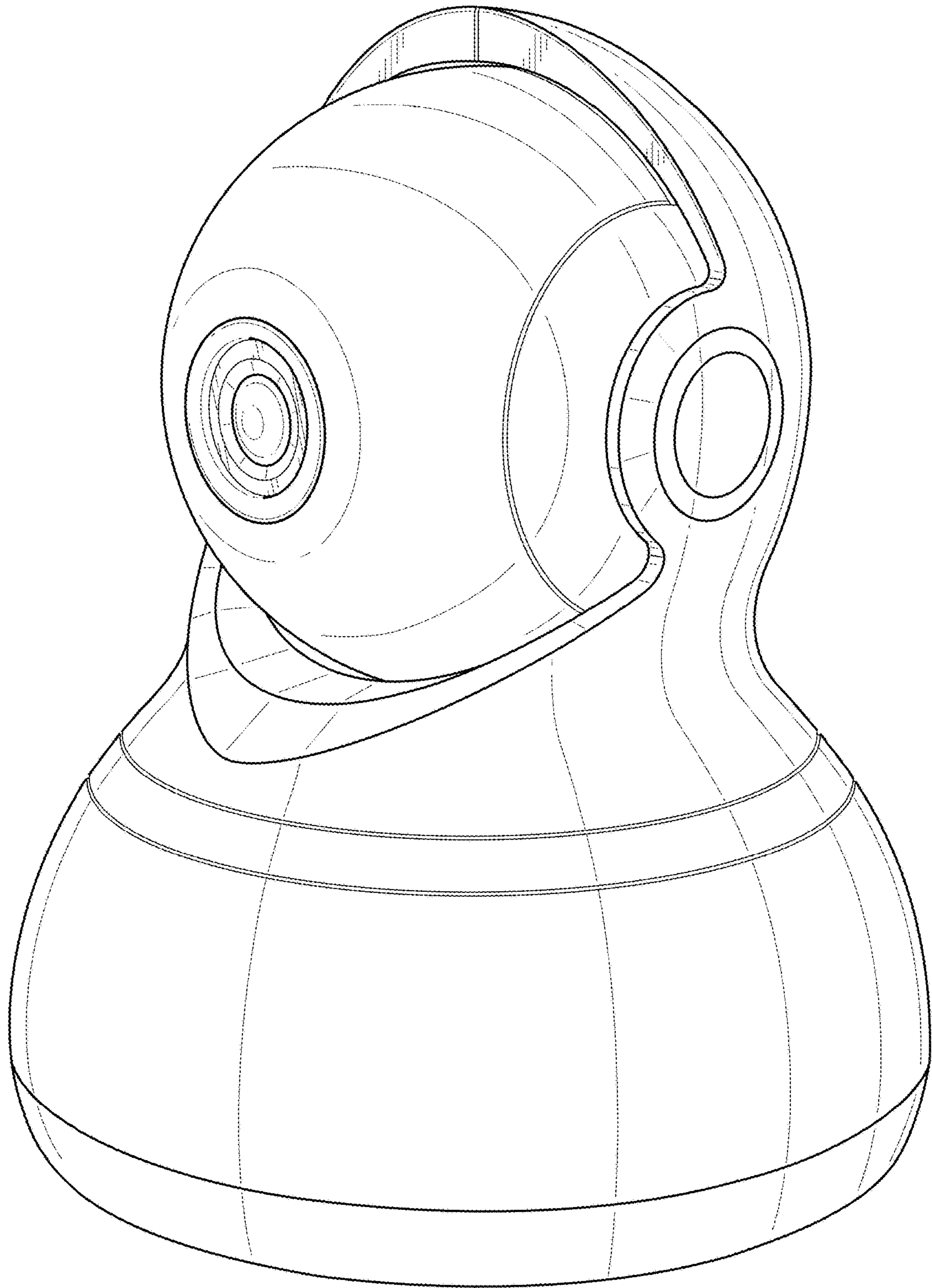
U.S. PATENT DOCUMENTS

D753,204 S \* 4/2016 Luo ..... D16/202  
D753,206 S \* 4/2016 Ravat ..... D16/203  
D771,173 S \* 11/2016 Hinkel ..... D16/203

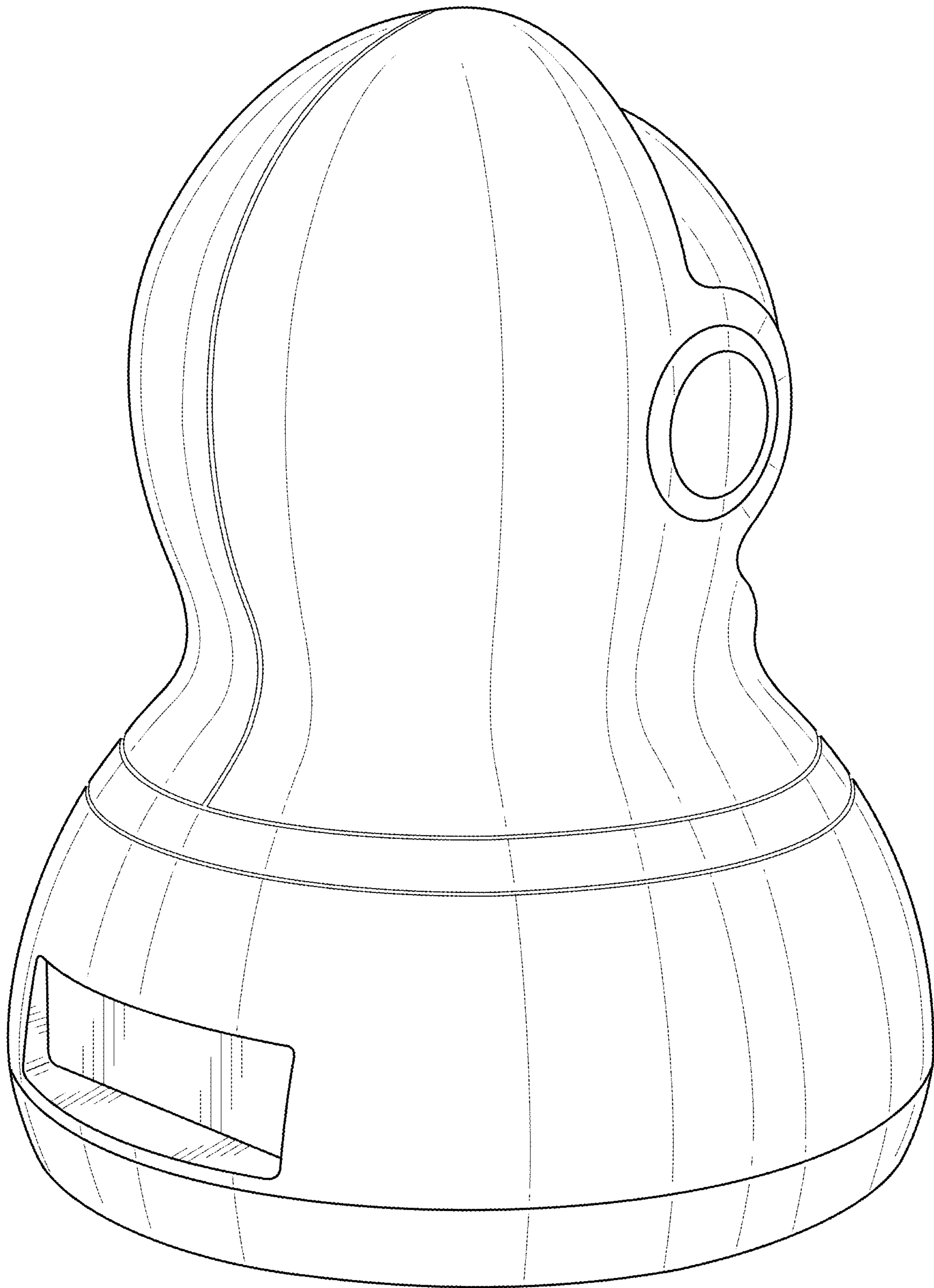
OTHER PUBLICATIONS

Xiaoyi Dome Camera, no date available, [site visited Mar. 14, 2017], Available from Internet, URL: <<http://www.geekbuying.com/item/Original-Xiaoyi-YI-Home-Security-System-WiFi-1080P-IP-Camera---Black-375188.html>>.\*

\* cited by examiner

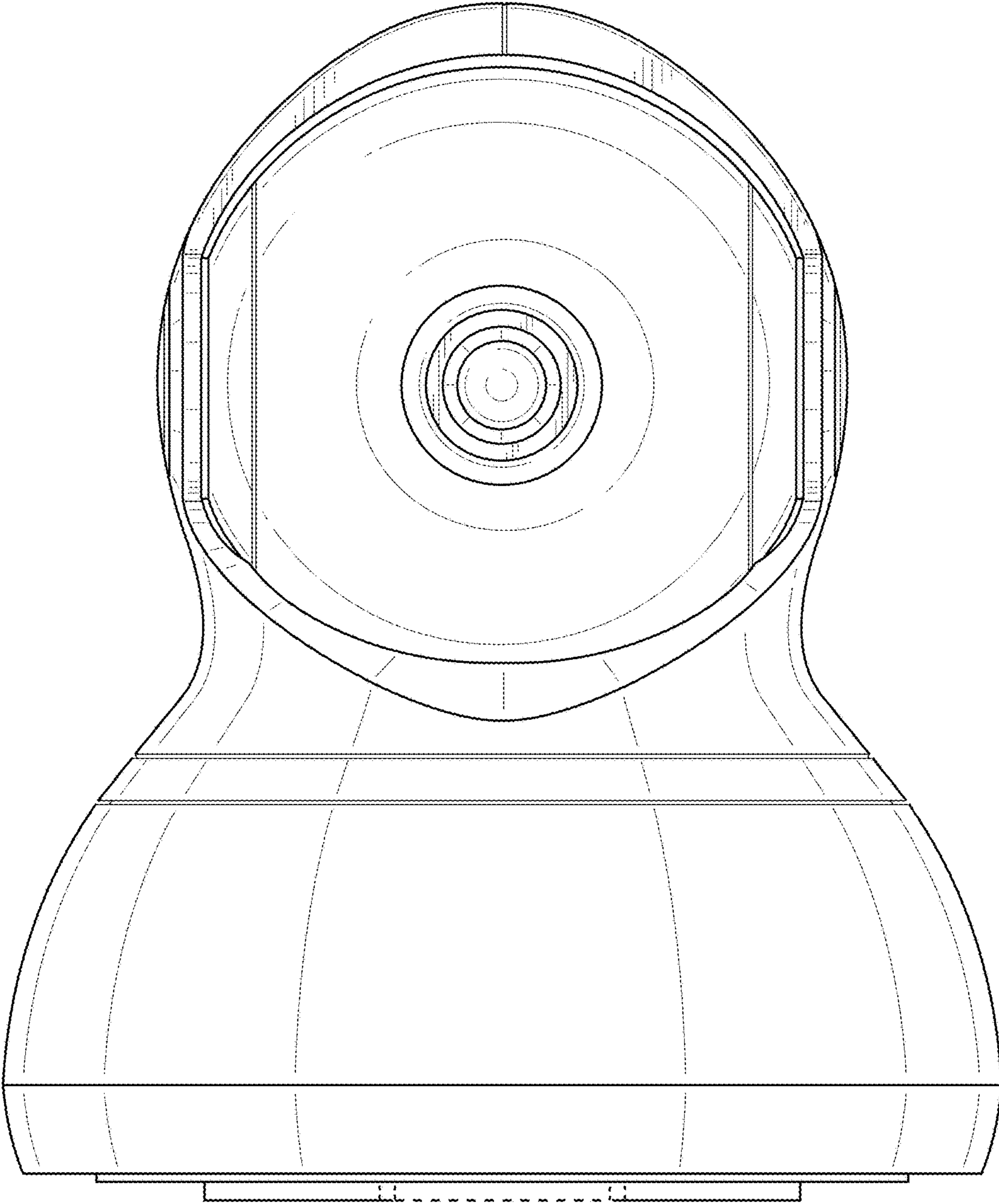


**FIG. 1**

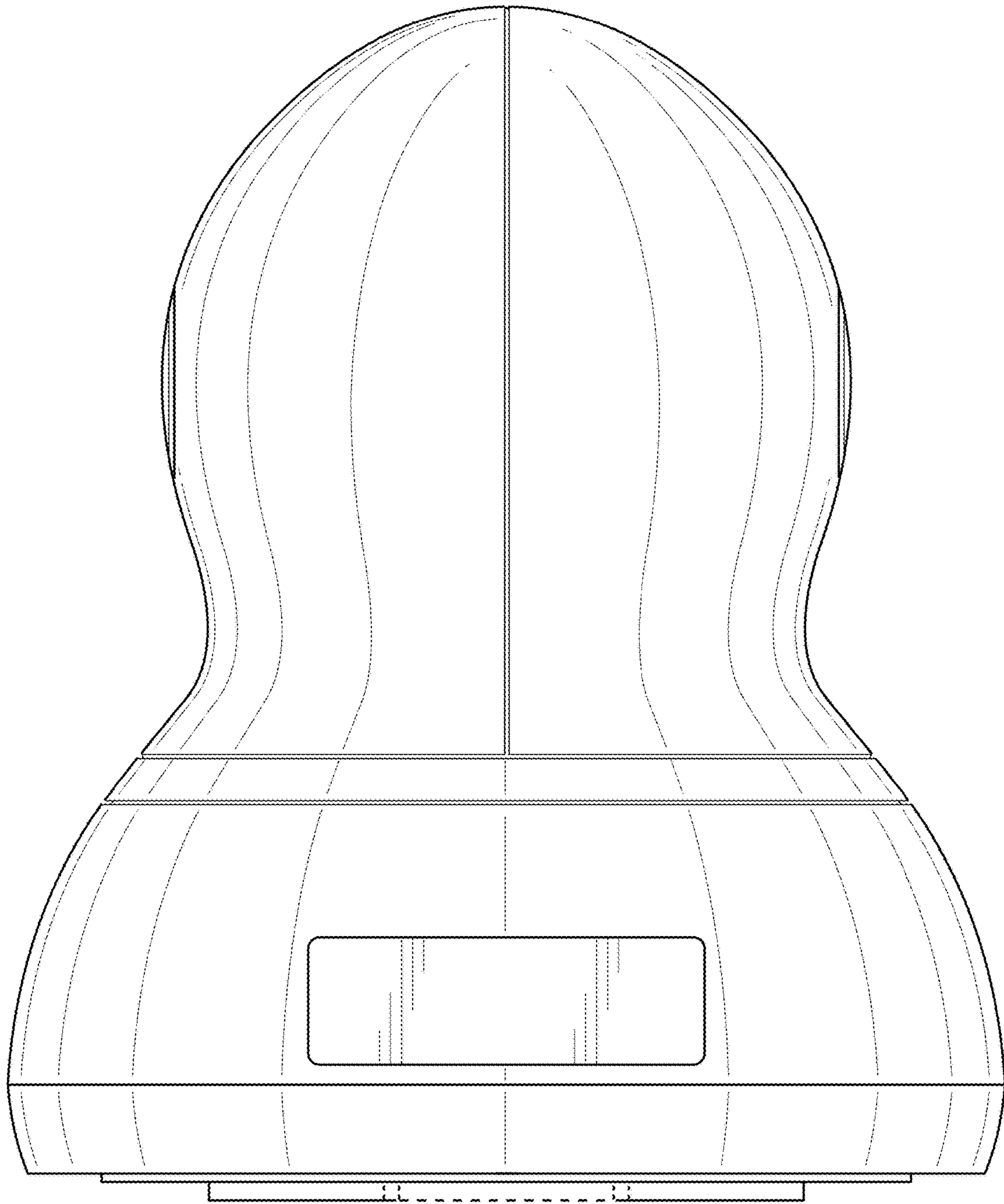


**FIG. 2**

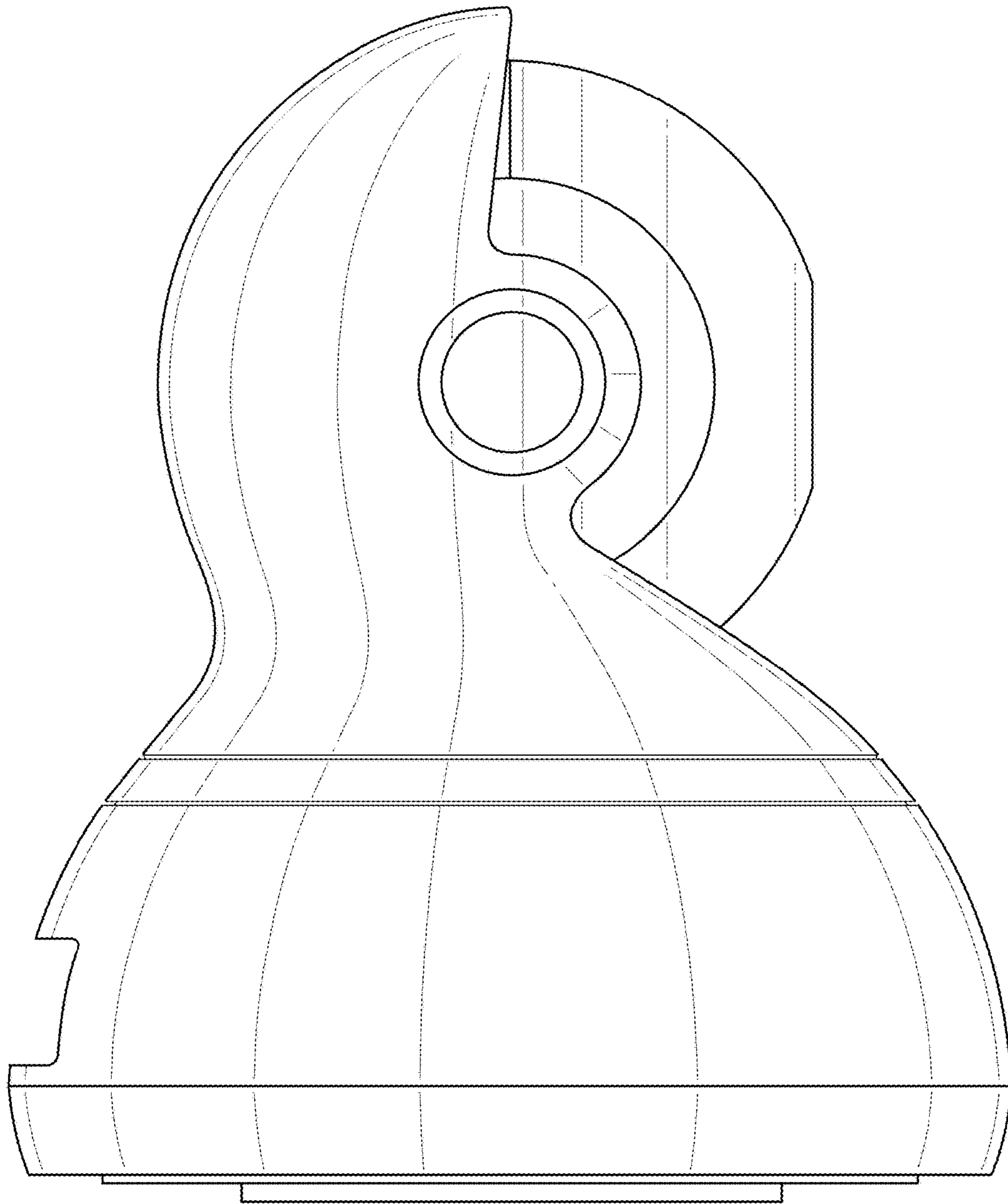




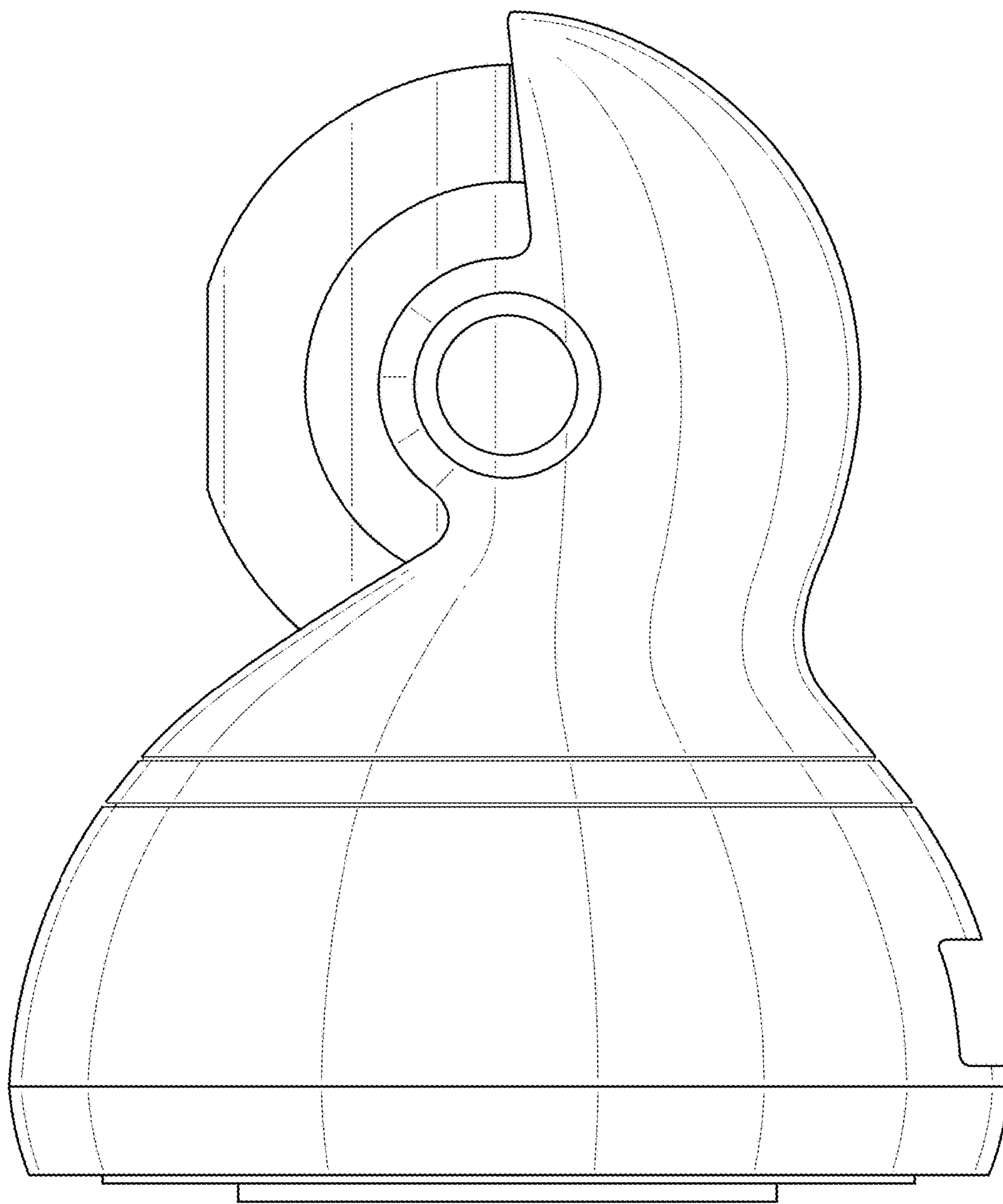
**FIG. 3**



**FIG. 4**

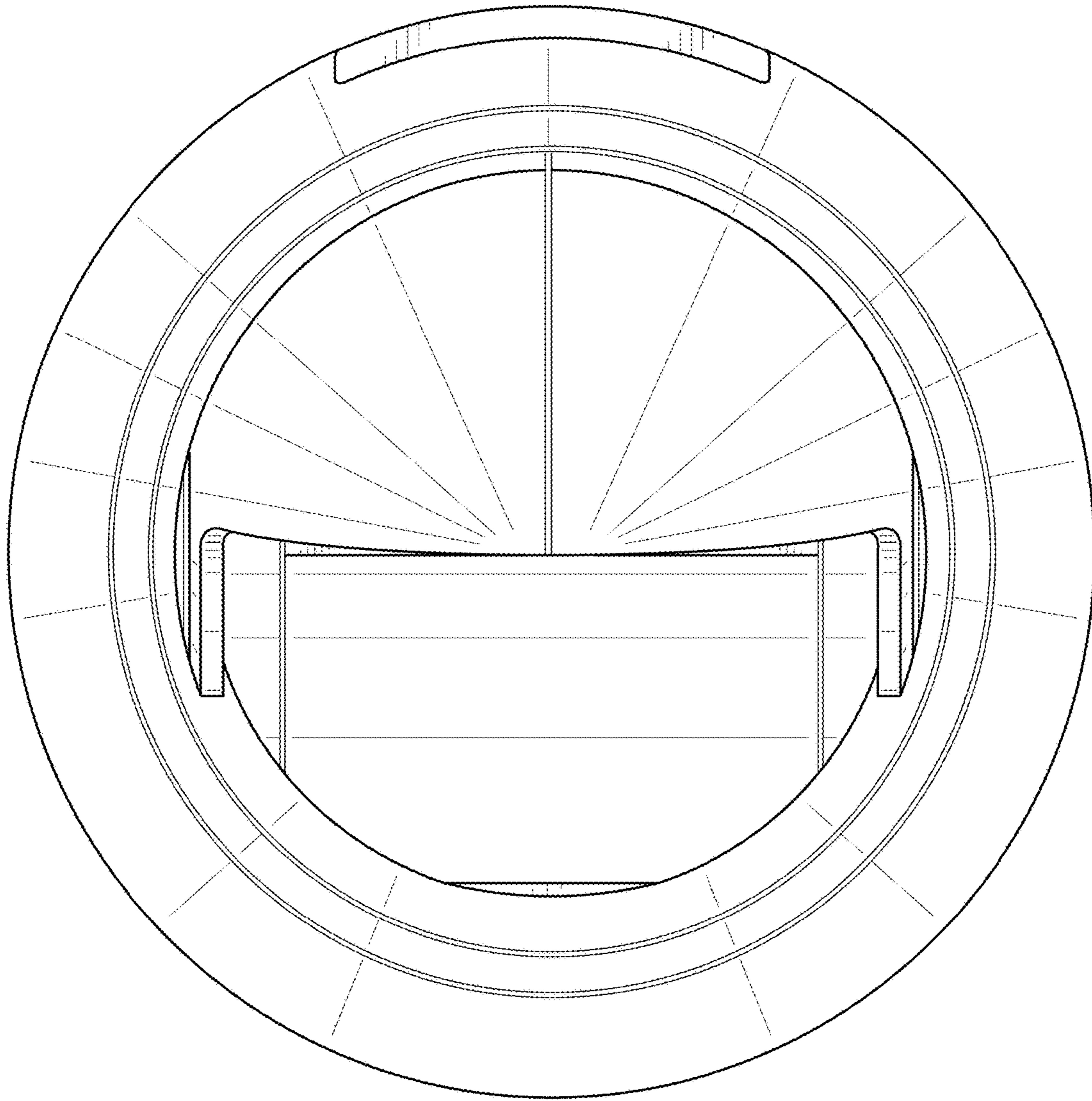


**FIG. 5**

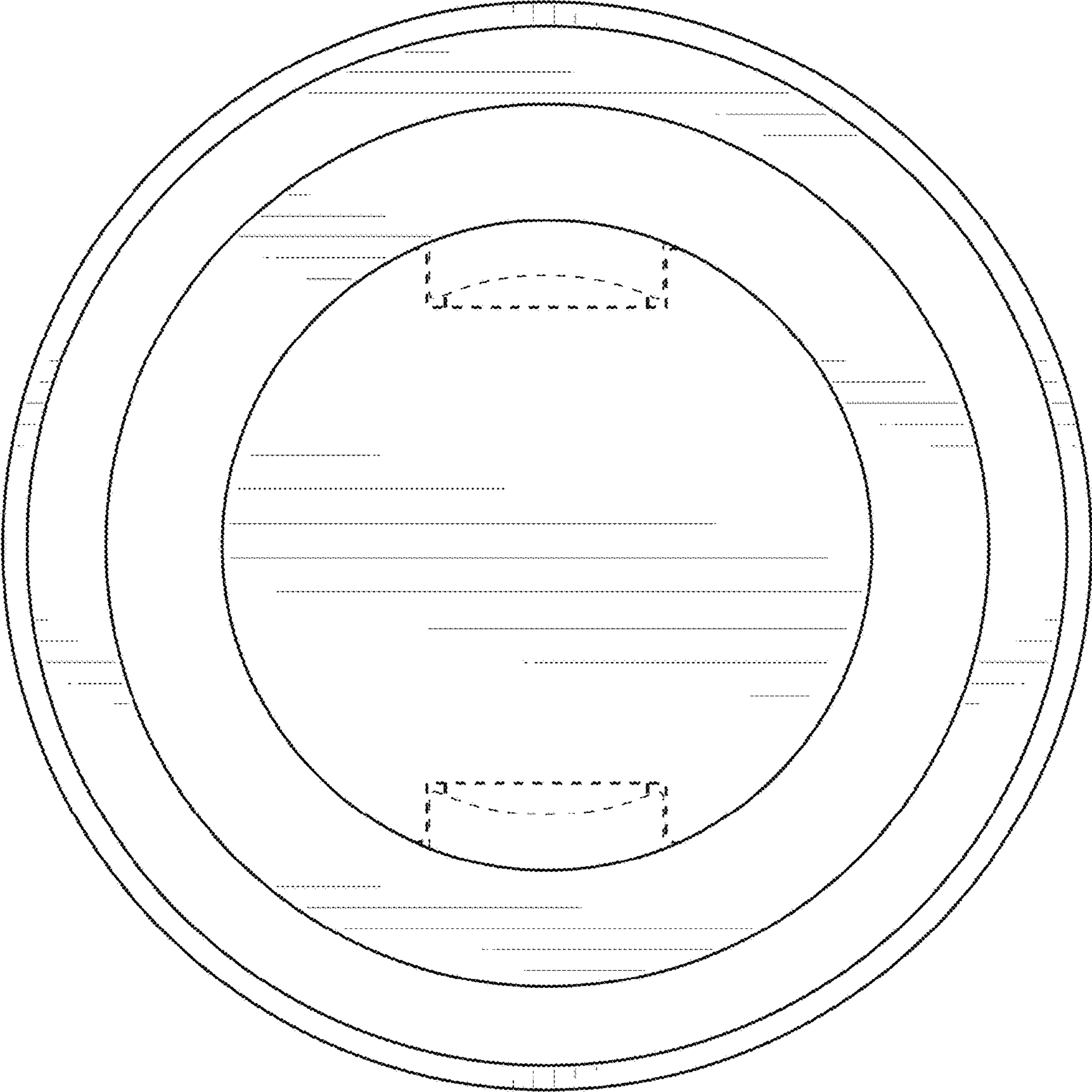


**FIG. 6**





**FIG. 7**



**FIG. 8**