



US00D813288S

(12) **United States Design Patent**
LeBeau

(10) **Patent No.:** **US D813,288 S**
(45) **Date of Patent:** **** Mar. 20, 2018**

(54) **CAMERA**

(71) Applicant: **Seek Thermal, Inc.**, Goleta, CA (US)

(72) Inventor: **Tim LeBeau**, Santa Barbara, CA (US)

(73) Assignee: **Seek Thermal, Inc.**, Santa Barbara, CA (US)

(**) Term: **14 Years**

(21) Appl. No.: **29/500,126**

(22) Filed: **Aug. 21, 2014**

(51) **LOC (11) Cl.** **16-01**

(52) **U.S. Cl.**
USPC **D16/200**

(58) **Field of Classification Search**

USPC D3/207, 208, 270, 271.1; D10/49, 52;
D14/204, 206, 215, 217, 221, 222, 239,
D14/240, 252, 253, 299, 485, 487, 489;
D16/132-136, 200, 202, 205, 206, 208,
D16/209, 211, 218, 219, 220; D21/514,
D21/85

CPC G03B 17/02; G03B 19/04; G03B 17/56;
G03B 17/04; G03B 15/03; G03B 17/14;
H04N 5/2251; H04N 5/2252; H04N
5/2253; H04N 5/2254; G02B 7/02; G02B
7/04; G02B 7/14

See application file for complete search history.

(56) **References Cited**

U.S. PATENT DOCUMENTS

168,063 A * 9/1875 Taylor B65D 1/225
220/62
D82,353 S 10/1930 Trautmann
D97,452 S * 11/1935 Ball 150/106
D175,503 S 9/1955 Moore
D223,215 S 3/1972 Takata
D248,766 S 8/1978 Arai
D252,833 S 9/1979 Bowser
D283,924 S 5/1986 Yau

D308,881 S * 6/1990 Steed D16/208
D338,028 S * 8/1993 Takahashi D16/134
D343,631 S 1/1994 Takahashi
D357,491 S 4/1995 Takahashi
D362,007 S 9/1995 Takahashi
D375,969 S 11/1996 Watanabe
D381,348 S * 7/1997 Tanaka D16/208
D397,706 S * 9/1998 Shibata D16/202
D426,248 S 6/2000 Sumita
D428,428 S 7/2000 Ono
D430,888 S 9/2000 Adachi

(Continued)

OTHER PUBLICATIONS

Ski Trail Raiting Symbol—Green, posted at Wikipedia.com, posting date Jul. 21, 2006, [online], [site visited Feb. 24, 2017]. Available from Internet, <URL: https://en.wikipedia.org/wiki/File:Ski_trail_rating_symbol-green_circle.svg>.*

(Continued)

Primary Examiner — Susan E Krakower
Assistant Examiner — L. A. Grabenstetter
(74) *Attorney, Agent, or Firm* — Knobbe Martens Olson & Bear LLP

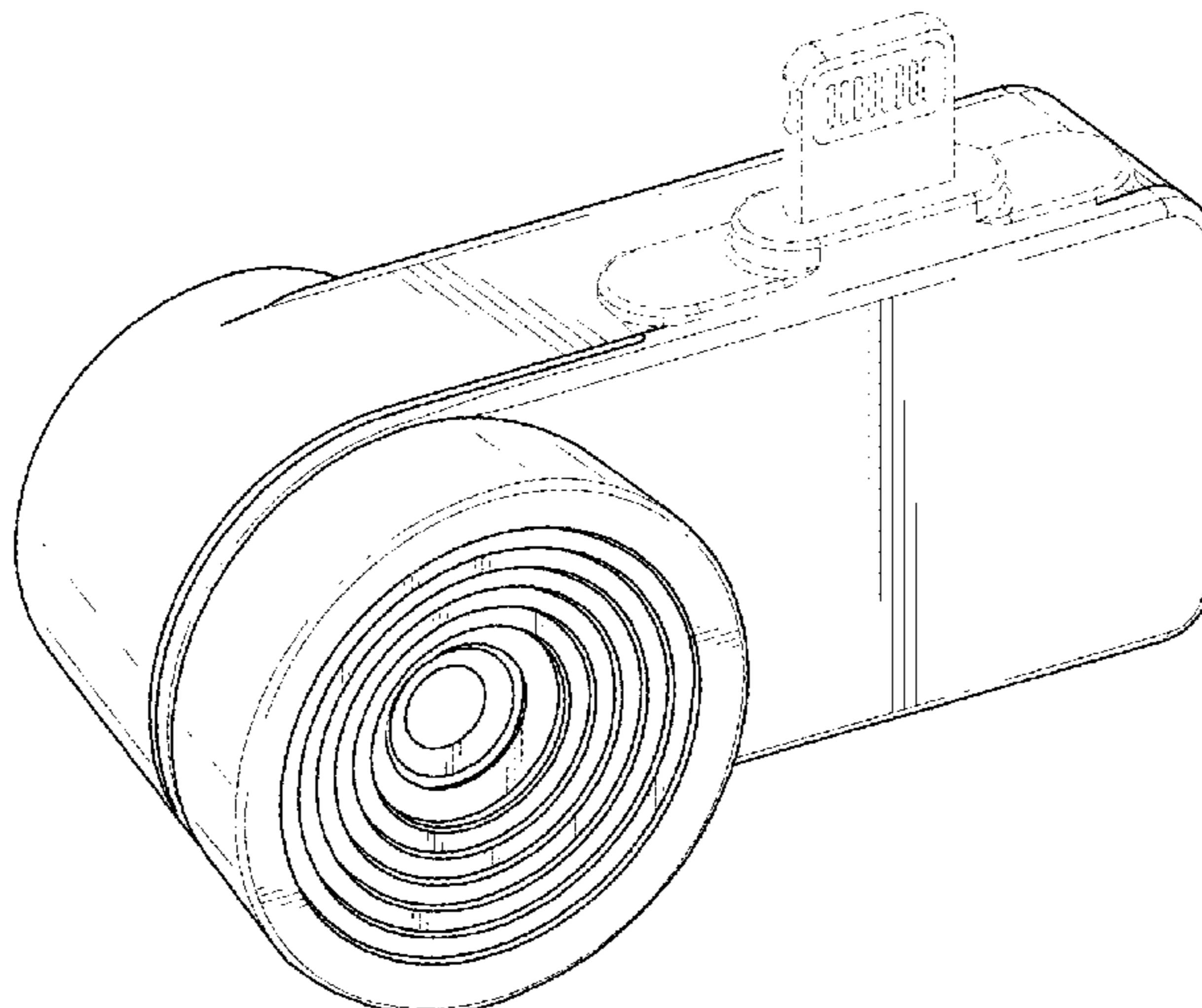
(57) **CLAIM**

I claim the ornamental design for a camera, as shown and described.

DESCRIPTION

FIG. 1 is a perspective view of a camera showing the new design;
FIG. 2 is a front view thereof;
FIG. 3 is a back view thereof;
FIG. 4 is a left side view thereof;
FIG. 5 is a right side view thereof;
FIG. 6 is a top view thereof; and,
FIG. 7 is a bottom view thereof.
The broken lines depict unclaimed portions of the camera.

1 Claim, 4 Drawing Sheets



(56)

References Cited

U.S. PATENT DOCUMENTS

D455,767 S * 4/2002 Tsang D16/202
 D471,220 S 3/2003 Hamamura
 D483,385 S 12/2003 Kapenekas et al.
 D488,178 S 4/2004 Huang
 D496,059 S 9/2004 Cameron
 D506,565 S 6/2005 Yurich
 D510,945 S * 10/2005 Do D16/134
 D521,982 S 5/2006 Schafernak et al.
 D523,057 S 6/2006 Watanabe
 D526,312 S 8/2006 Kuribayashi
 D528,576 S 9/2006 Chung
 D539,320 S 3/2007 Tokiwa
 D540,363 S * 4/2007 Tokiwa D16/134
 D544,008 S 6/2007 Stewart
 D549,260 S 8/2007 Kojima
 D554,683 S 11/2007 Jones
 D557,309 S 12/2007 Shimizu
 D561,803 S 2/2008 Morita
 D562,862 S 2/2008 Yasutomi
 D565,070 S * 3/2008 Kim D16/202
 D565,621 S 4/2008 Yamane
 D566,148 S 4/2008 Akita
 D566,158 S * 4/2008 Yasutomi D16/134
 D570,389 S 6/2008 Nakamura
 D571,387 S 6/2008 Morita
 D573,625 S 7/2008 Watanabe
 D575,319 S 8/2008 Tajima
 D591,728 S 5/2009 Pantaleone
 D591,730 S 5/2009 Pantaleone
 7,643,085 B2 1/2010 Saiki et al.
 D612,201 S * 3/2010 Hillebrenner D7/387
 D612,364 S 3/2010 Kwolek
 D617,315 S 6/2010 Pantaleone
 D617,360 S 6/2010 Endo
 D618,226 S 6/2010 Tong et al.
 D640,300 S 6/2011 Sato et al.
 D640,720 S 6/2011 Yoshii et al.
 D641,032 S 7/2011 Yoshii et al.
 D650,821 S 12/2011 Verhey
 D651,632 S 1/2012 Kim et al.
 D656,530 S 3/2012 Kwon et al.

D663,743 S * 7/2012 Tanghe D14/489
 D664,581 S * 7/2012 Palm D16/219
 D665,837 S 8/2012 Tainaka
 D666,940 S * 9/2012 Dunn D11/184
 D677,302 S 3/2013 Fujita
 D677,303 S 3/2013 Nojima
 D678,379 S 3/2013 O'Neill et al.
 D682,333 S 5/2013 Kim et al.
 D684,620 S 6/2013 Kim et al.
 D686,265 S 8/2013 O'Neill
 D693,870 S 11/2013 Kim
 D694,801 S 12/2013 Sakai
 D695,328 S 12/2013 Sul et al.
 D695,805 S 12/2013 Sakai
 D696,329 S 12/2013 Horiki
 D696,709 S 12/2013 Sato
 D702,749 S 4/2014 Kim
 D711,450 S 8/2014 Yamauchi et al.
 D712,949 S 9/2014 Suwon-si et al.
 D728,652 S 5/2015 Hayashi et al.
 D741,930 S 10/2015 Kwon et al.
 D757,837 S 5/2016 Henry
 2002/0105730 A1 8/2002 Clark
 2007/0177865 A1 8/2007 Nomura et al.
 2007/0296819 A1 12/2007 Takizawa et al.
 2008/0002968 A1 1/2008 Arai
 2012/0044621 A1 2/2012 Fujiwara
 2012/0189296 A1 7/2012 Kim et al.
 2013/0039069 A1 2/2013 Zeng et al.

OTHER PUBLICATIONS

DSLR Camera Lens Optical Green Glass With Reflection Illustration Royalty Free Cliparts, Vectors, and Stock Illustration, printed from: http://www.123rf.com/photo_22444957_dslr-camera-lens-optical-green-glass-with-reflection-illustration.html on Aug. 7, 2014, in 3 pages.
 DSLR Camera Lens Optical Green Glass With Reflection Illustration Royalty Free Cliparts, Vectors, and Stock Illustration, printed from http://www.12311.com/photo_22444957_dslr-camera-lens-optical-green-glass-with-reflection-illustration.html on Aug. 7, 2014.

* cited by examiner

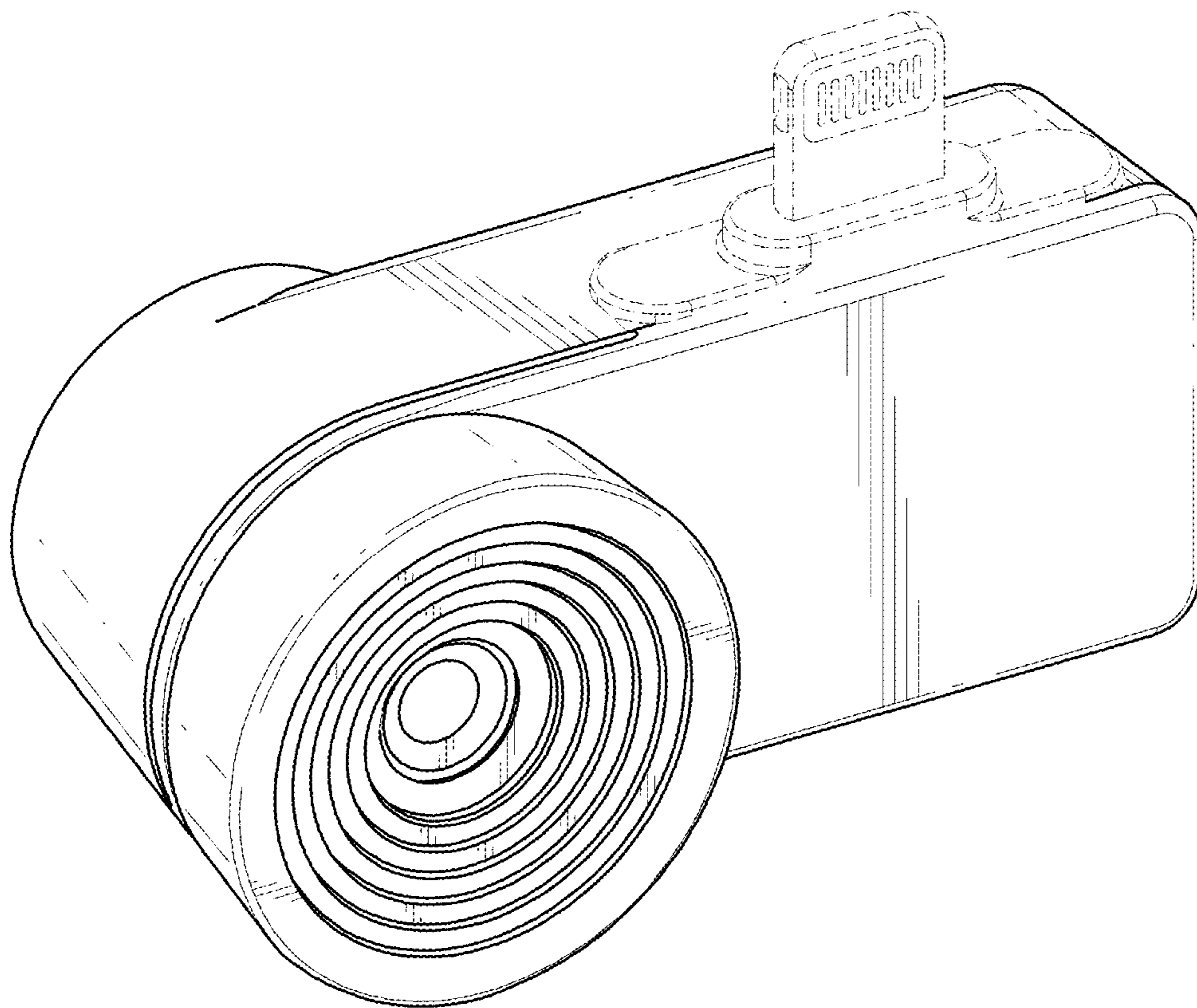


FIG. 1

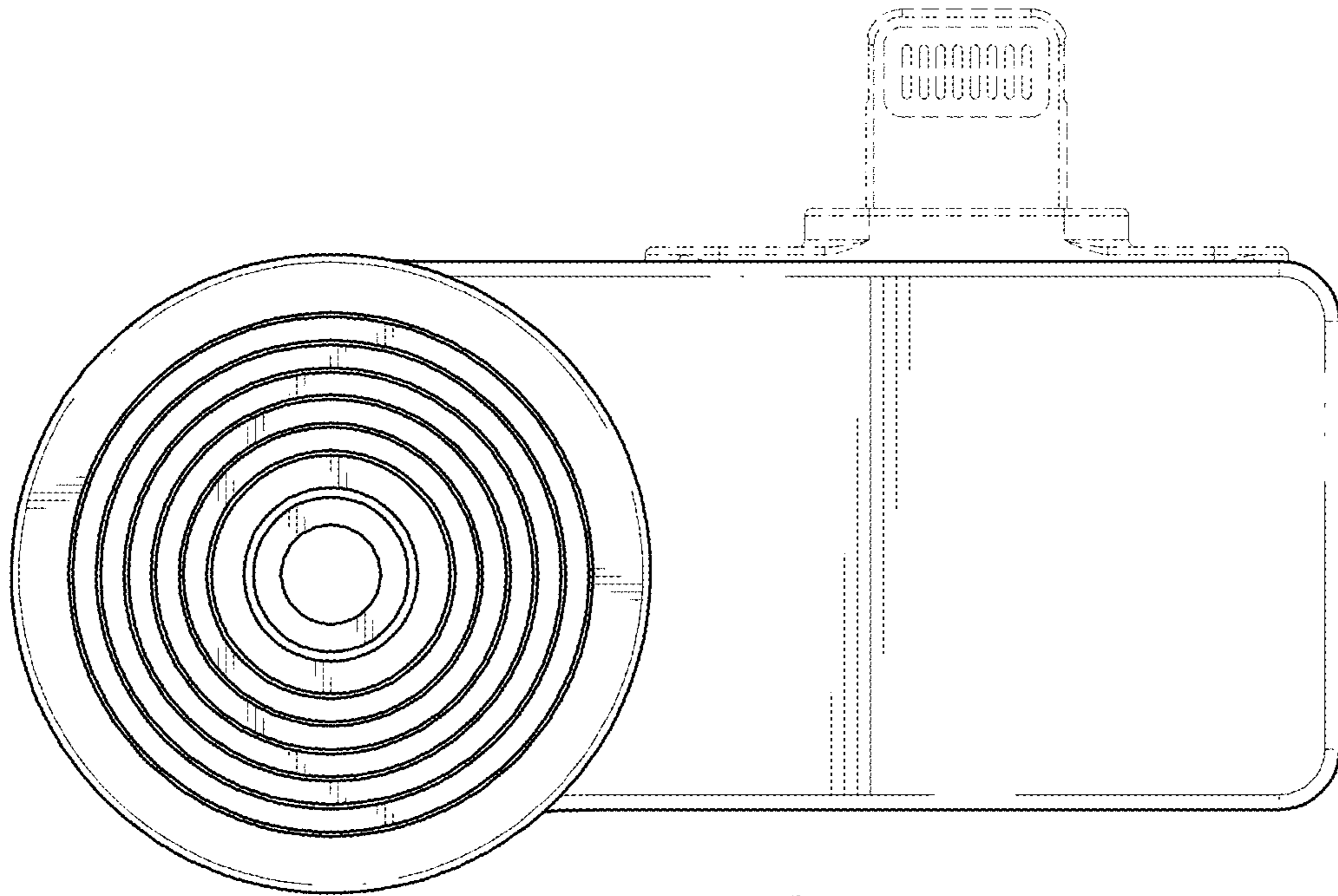


FIG. 2

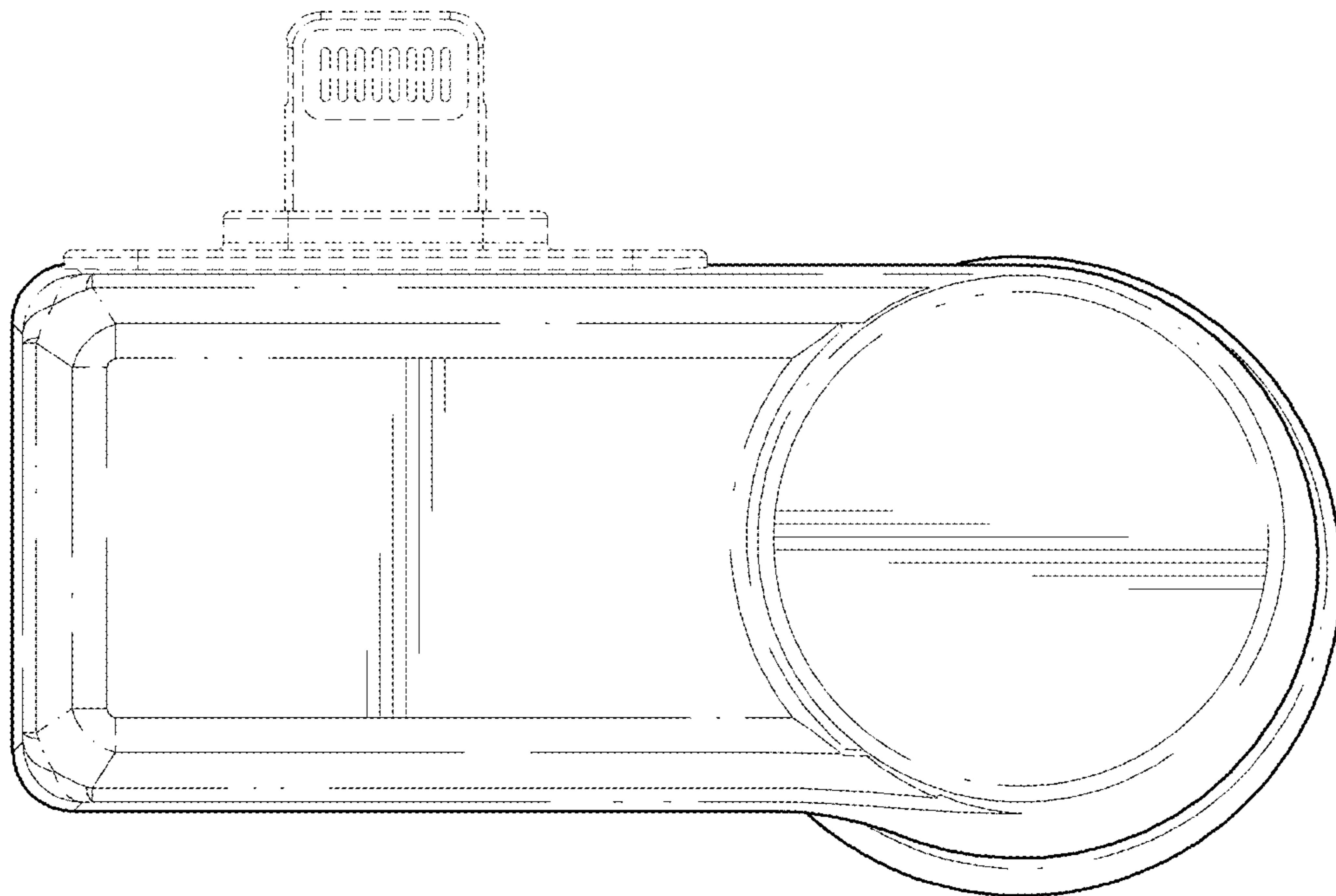


FIG. 3

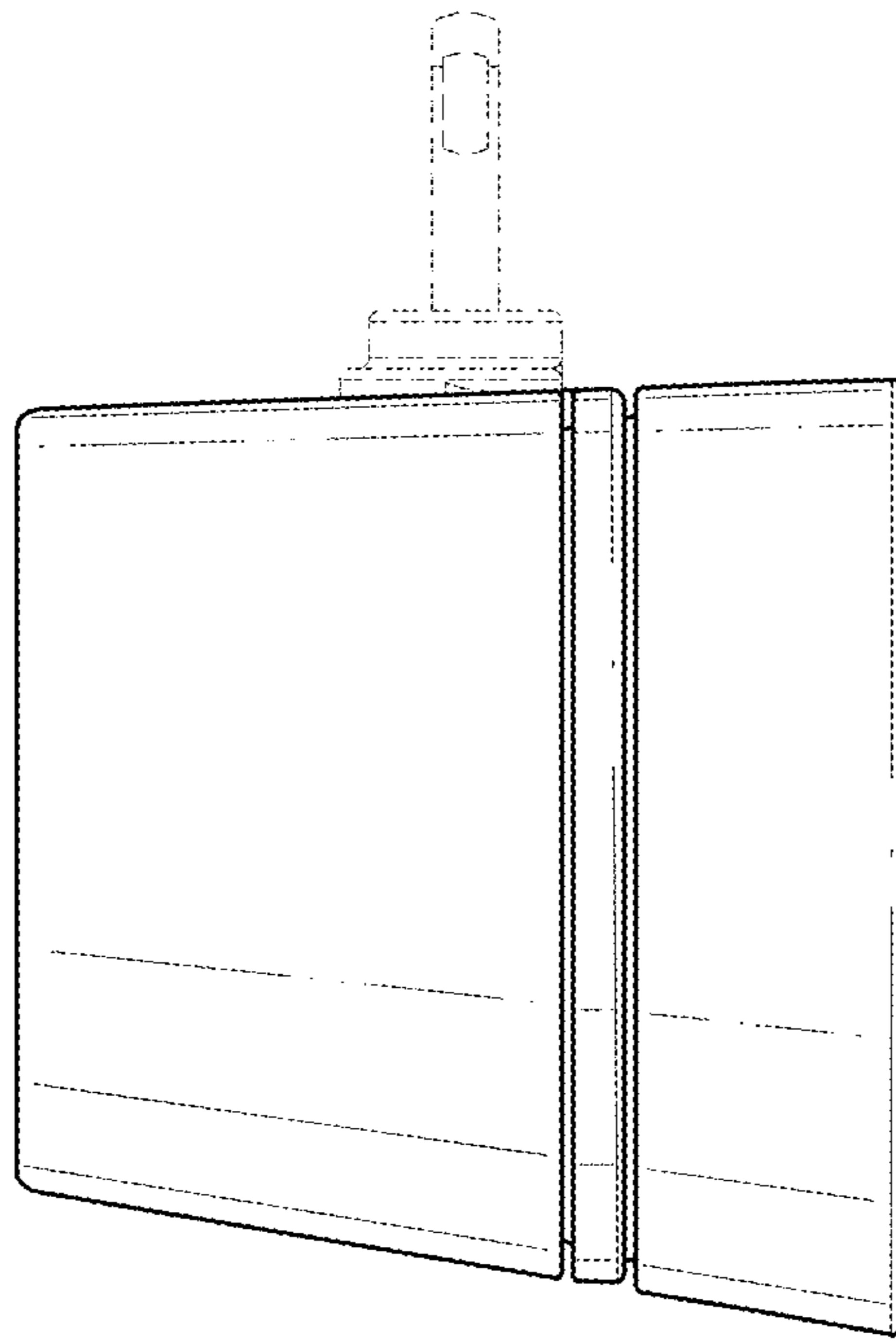


FIG. 4

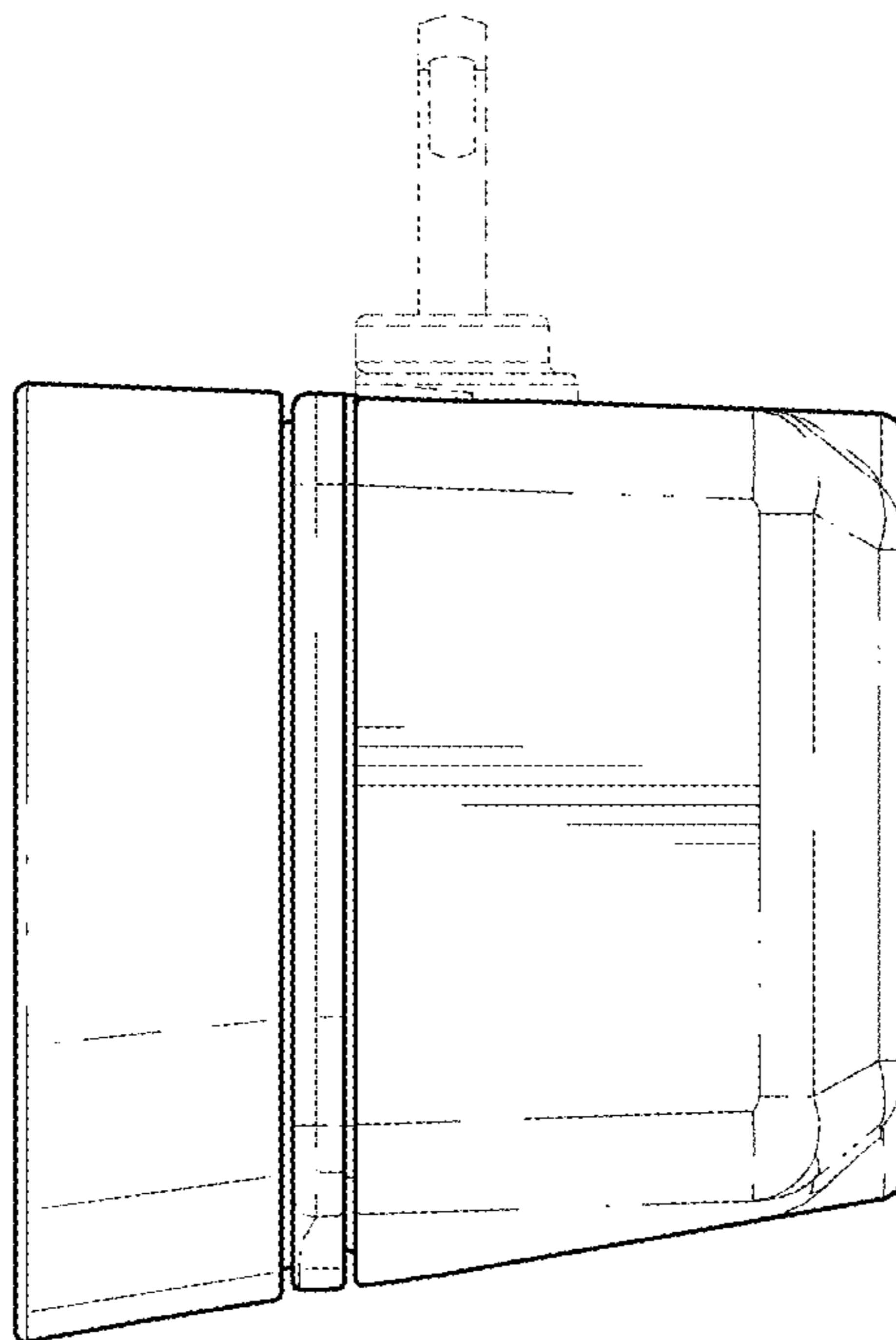


FIG. 5

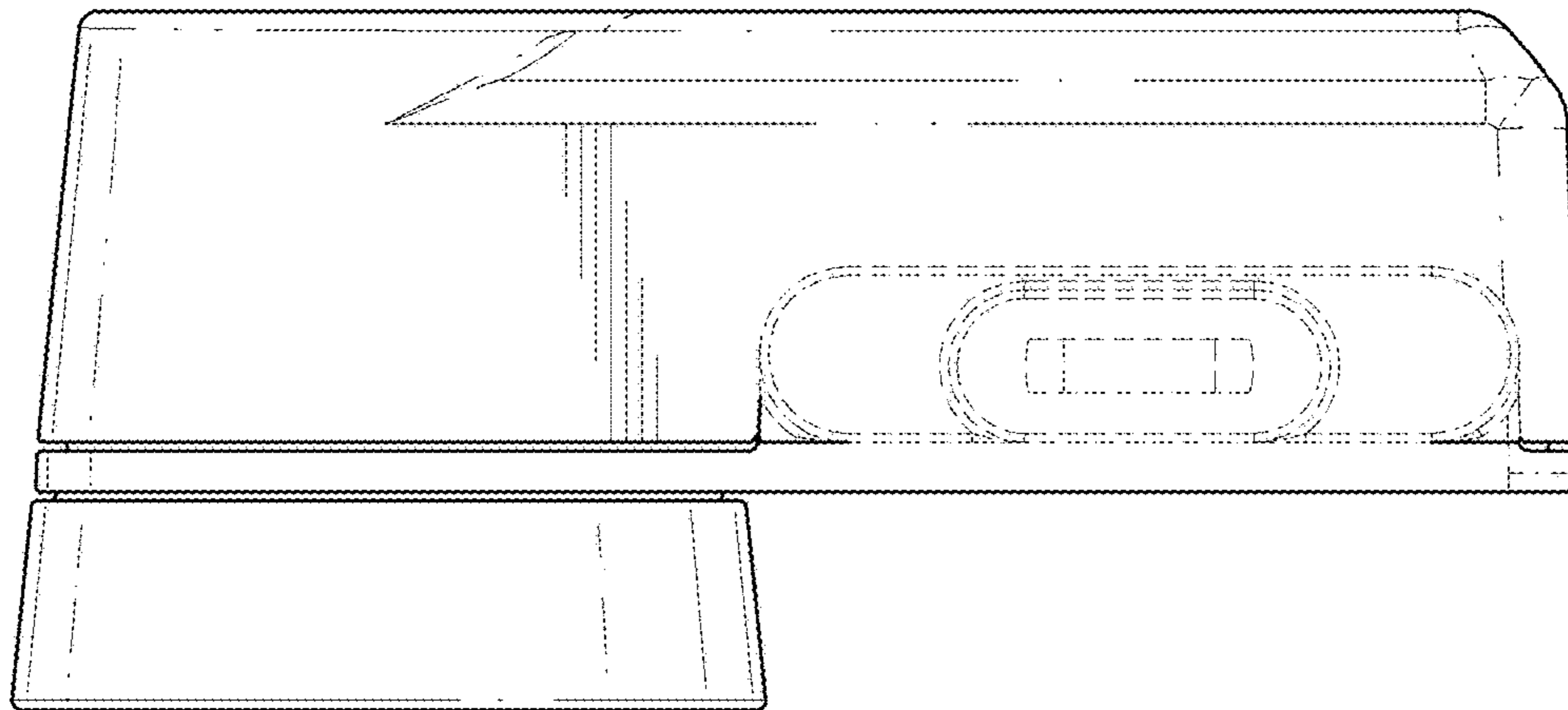


FIG. 6

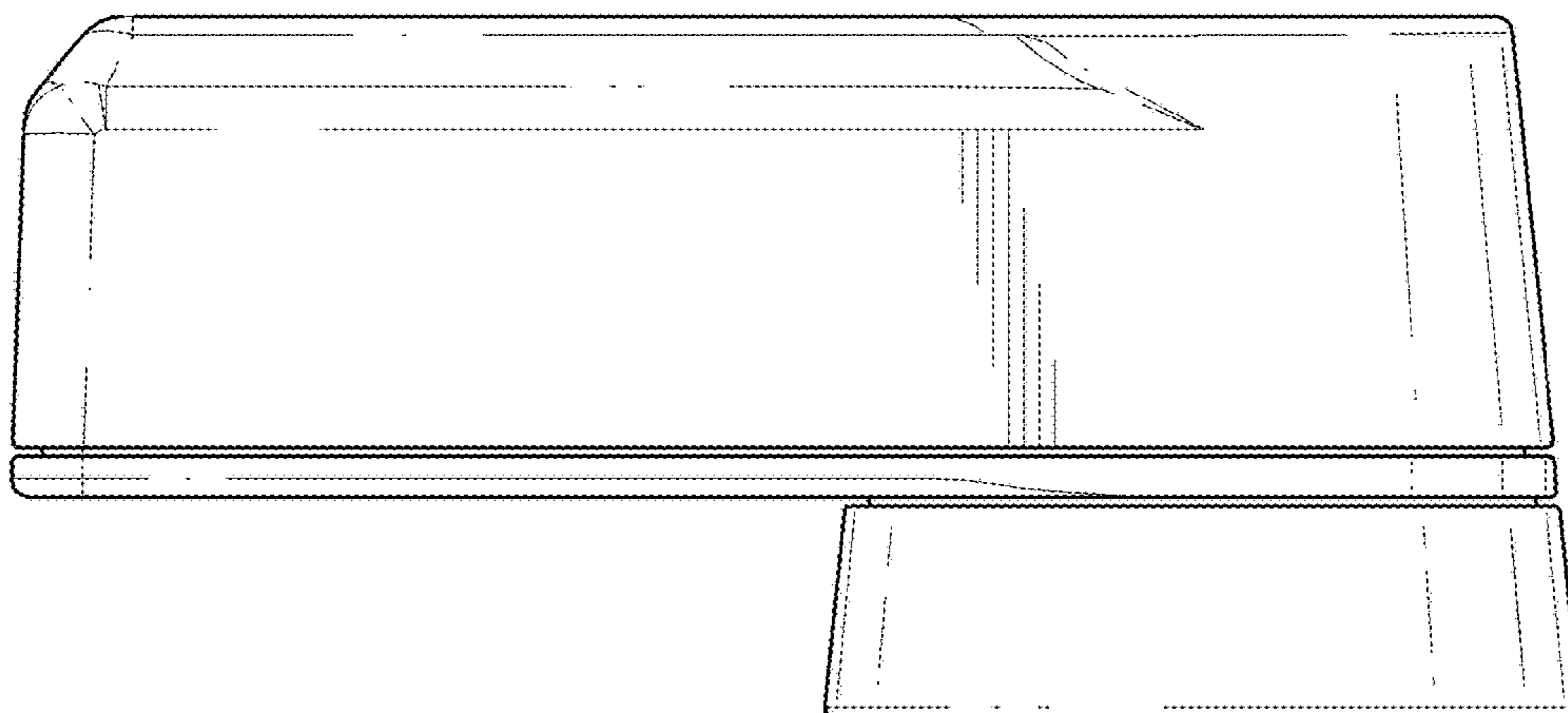


FIG. 7