



US00D813286S

(12) **United States Design Patent**  
**Sedazzari**

(10) **Patent No.:** **US D813,286 S**  
(45) **Date of Patent:** **\*\* Mar. 20, 2018**

- (54) **LENS**
- (71) Applicant: **Claudio Sedazzari**, Mantova (IT)
- (72) Inventor: **Claudio Sedazzari**, Mantova (IT)
- (\*\*) Term: **15 Years**
- (21) Appl. No.: **29/591,261**
- (22) Filed: **Jan. 18, 2017**

**Related U.S. Application Data**

- (62) Division of application No. 35/500,050, filed on May 27, 2015 (U.S. filing date under 35 U.S.C. 384), and having an international filing date of May 27, 2015, now Pat. No. Des. 780,820.
- (51) **LOC (11) Cl.** ..... **16-06**
- (52) **U.S. Cl.**  
USPC ..... **D16/134**
- (58) **Field of Classification Search**  
USPC ..... D16/130, 134, 200, 202–205, 218, 219, D16/235, 242; D22/108–110; 348/373–376; 359/826–828; 396/529–532, 535, 539–541  
CPC ..... G02B 13/004; G02B 13/02; G03B 17/18  
See application file for complete search history.

(56) **References Cited**

**U.S. PATENT DOCUMENTS**

- D253,043 S \* 10/1979 Gelius ..... D10/46
- D560,702 S \* 1/2008 Tokiwa ..... D16/208

- D598,039 S \* 8/2009 Owada ..... D16/134
- D610,185 S \* 2/2010 Chou ..... D16/207
- D680,567 S \* 4/2013 Funakoshi ..... D16/131
- D682,903 S \* 5/2013 Bratt ..... D16/131
- D733,204 S \* 6/2015 Imamizu ..... D16/132
- D733,205 S \* 6/2015 Imamizu ..... D16/132
- 2015/0204798 A1 \* 7/2015 Nygaard ..... G01N 21/952  
356/237.2
- 2016/0025644 A1 \* 1/2016 Nygaard ..... G01N 21/909  
356/625

\* cited by examiner

*Primary Examiner* — Philip S Hyder

*Assistant Examiner* — Ramzi S Almatrahi

(74) *Attorney, Agent, or Firm* — Thomas | Horstemeyer, LLP

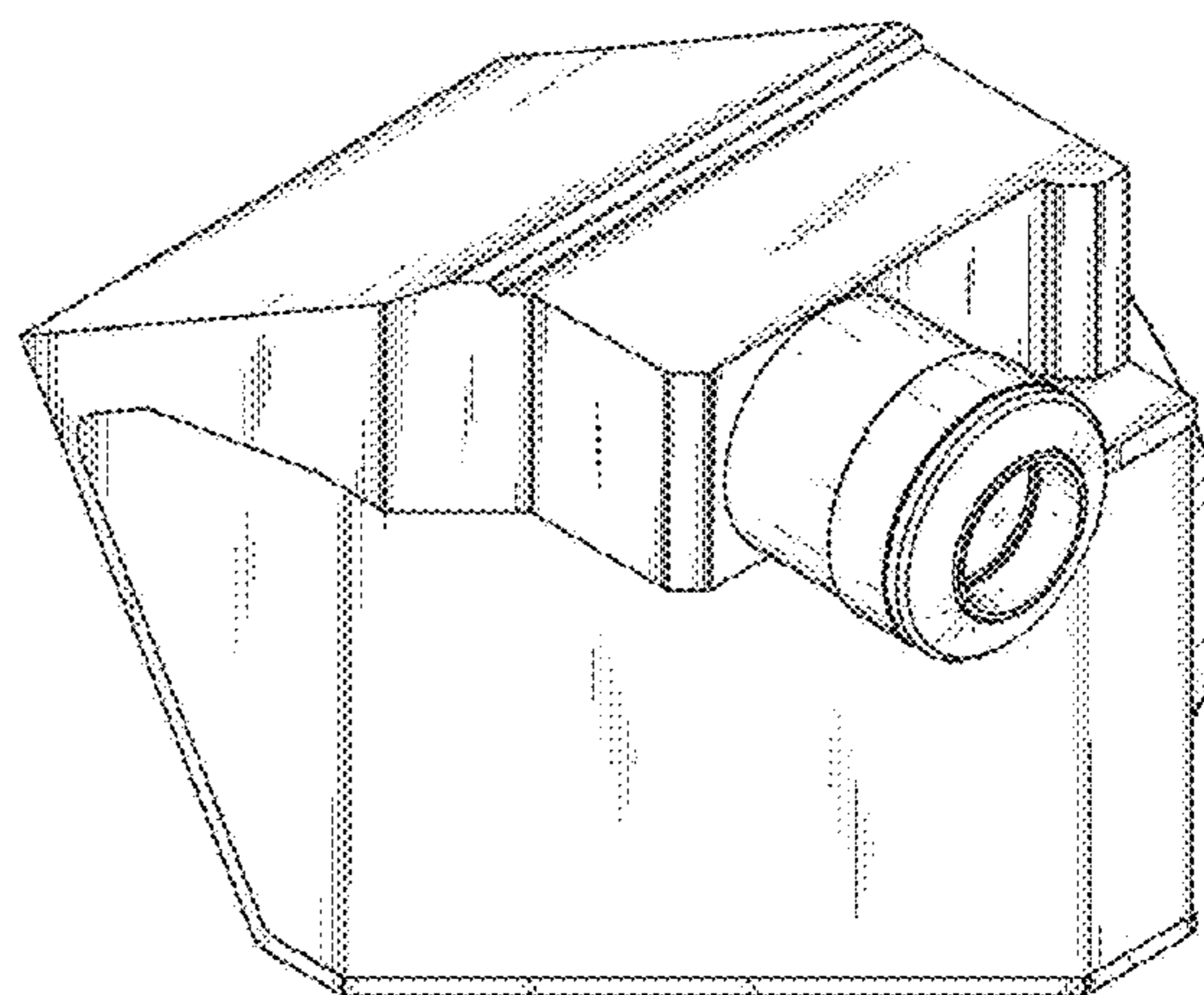
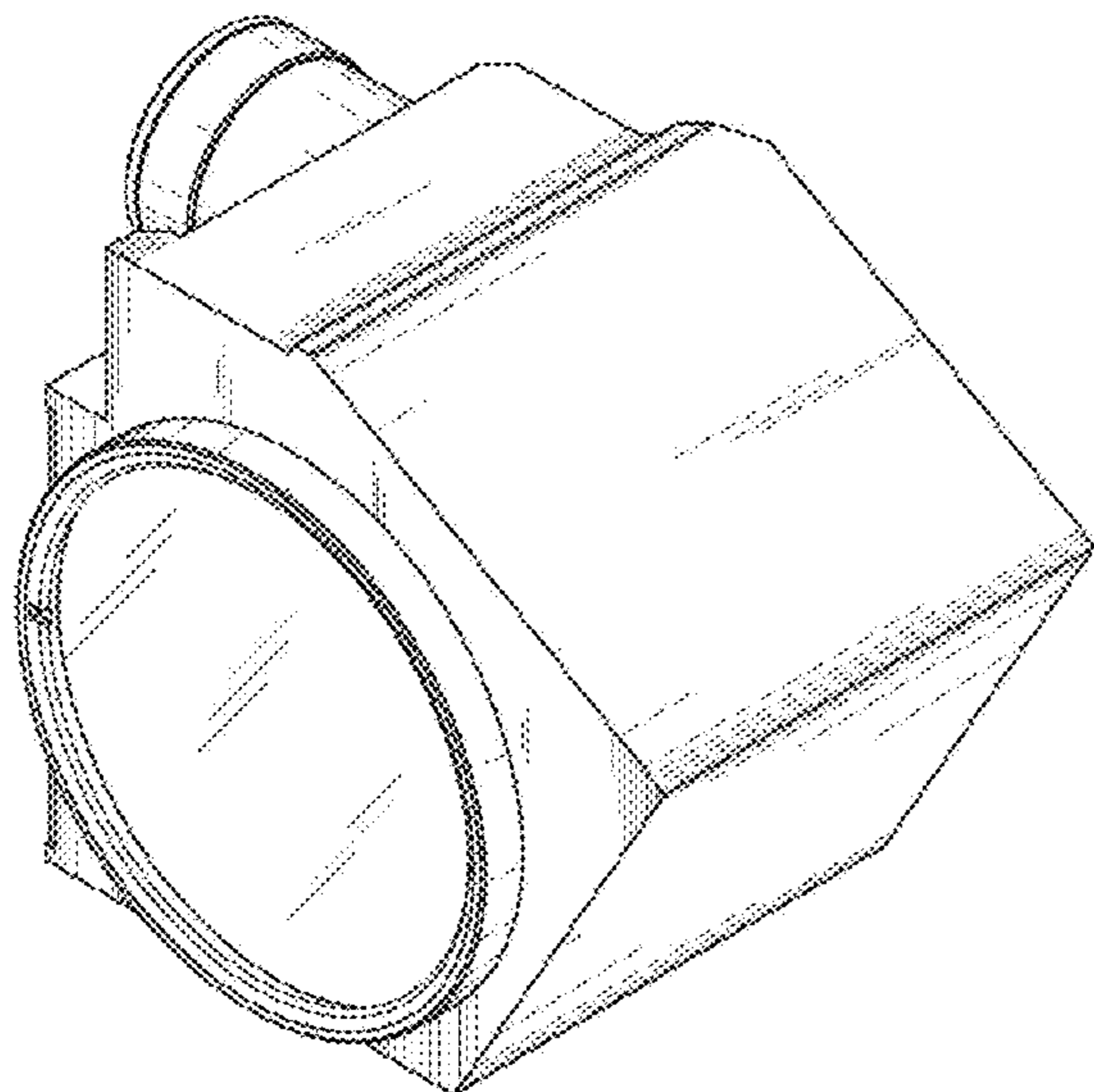
(57) **CLAIM**

The ornamental design for a lens, as shown and described.

**DESCRIPTION**

FIG. 1 is a top, rear and left side perspective view of the lens showing my new design;  
 FIG. 2 is a top, front, and right side perspective thereof;  
 FIG. 3 is a front elevation view thereof;  
 FIG. 4 is a rear elevation view thereof;  
 FIG. 5 is a left side elevation view thereof;  
 FIG. 6 is a right side elevation view thereof;  
 FIG. 7 is a top plan view thereof; and,  
 FIG. 8 is a bottom plan view thereof.

**1 Claim, 8 Drawing Sheets**



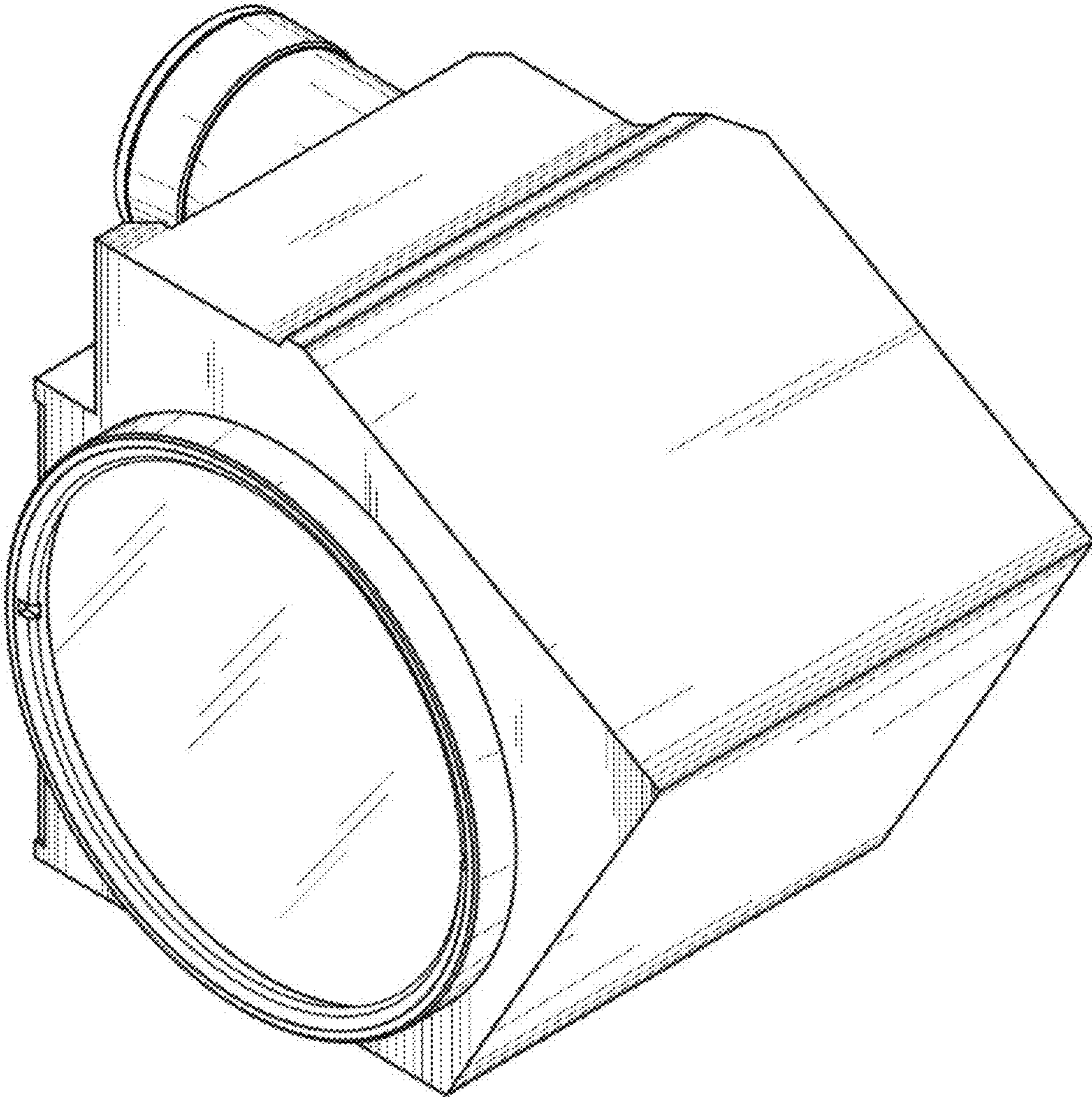


FIG. 1



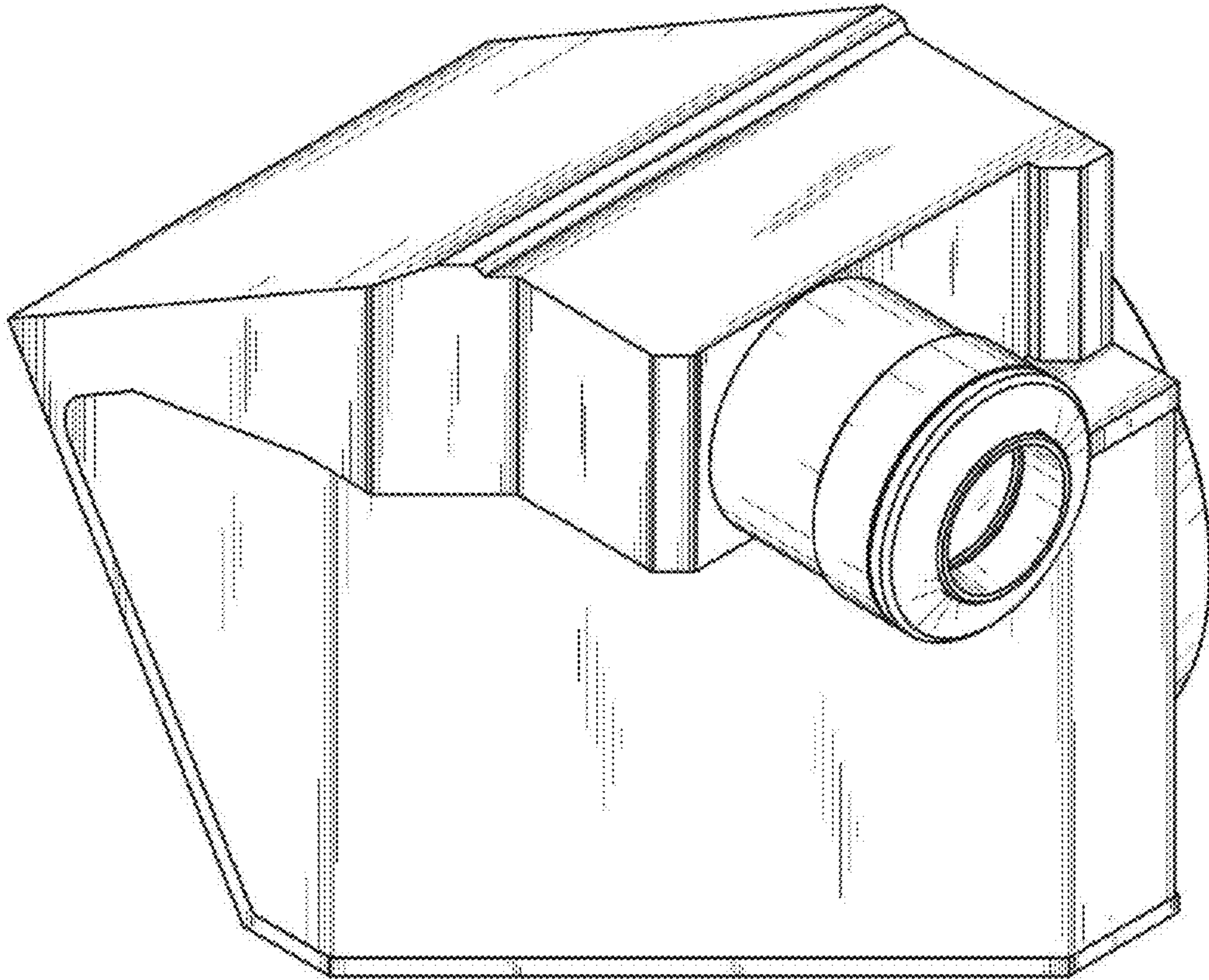


FIG. 2

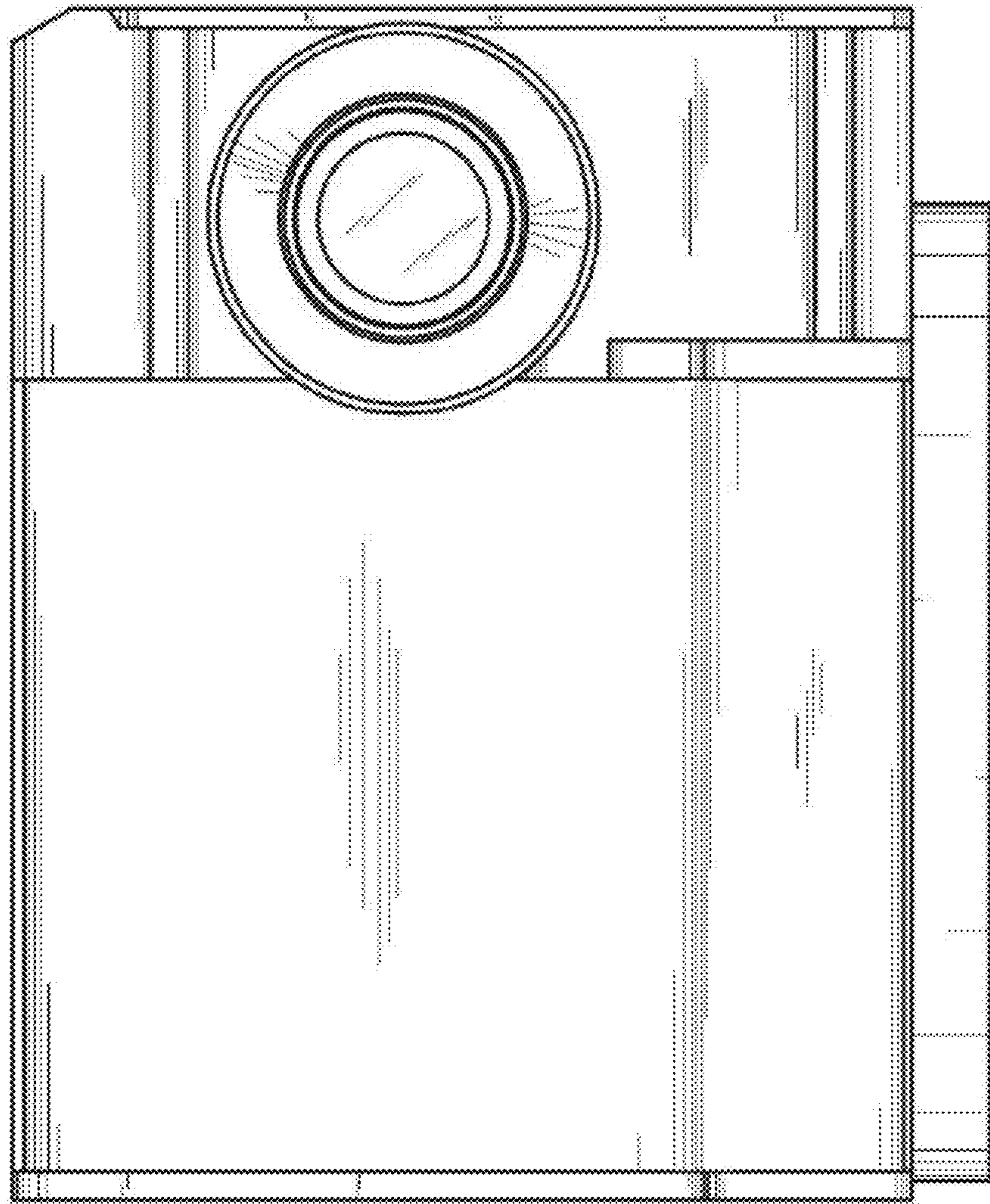


FIG. 3

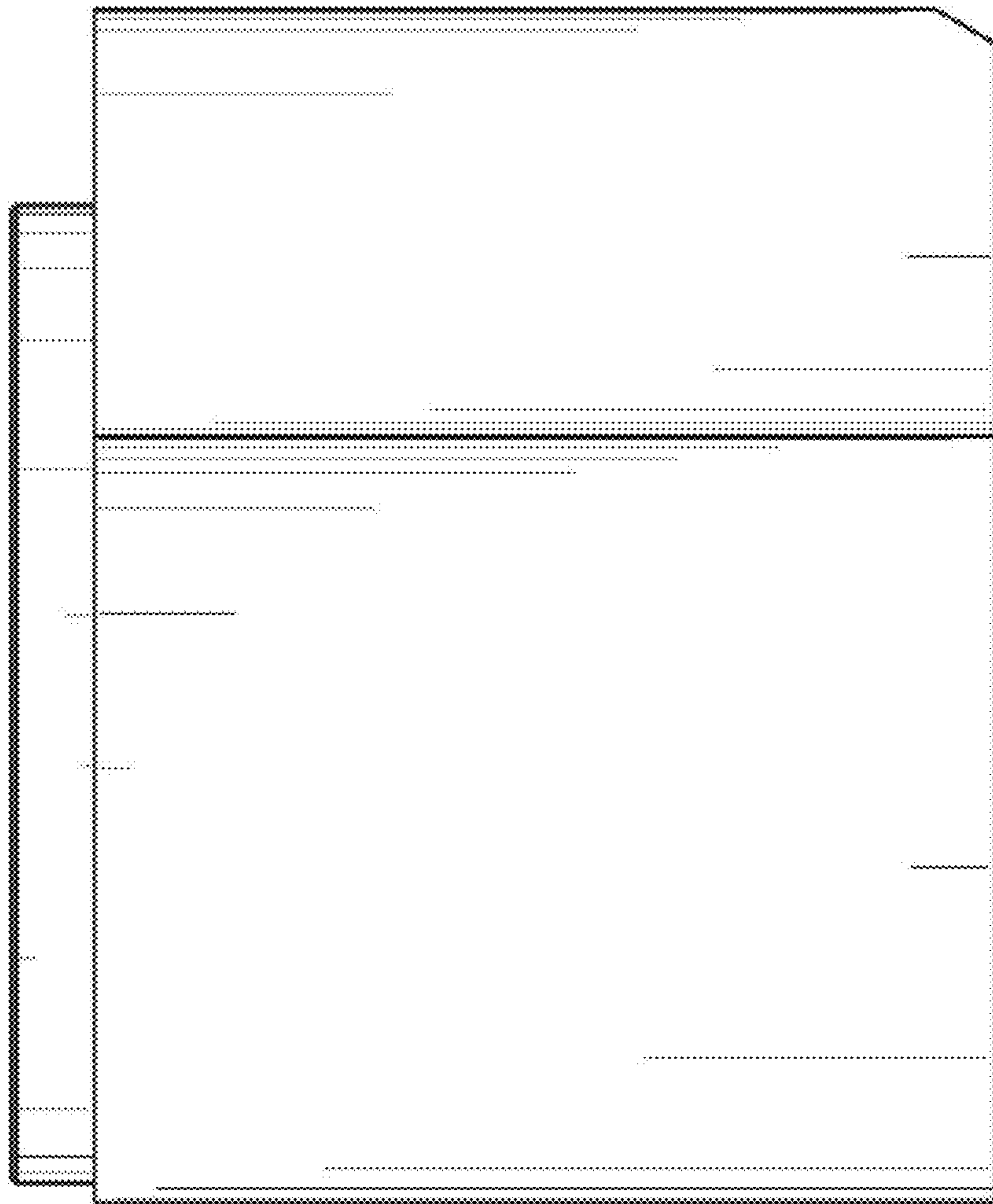


FIG. 4

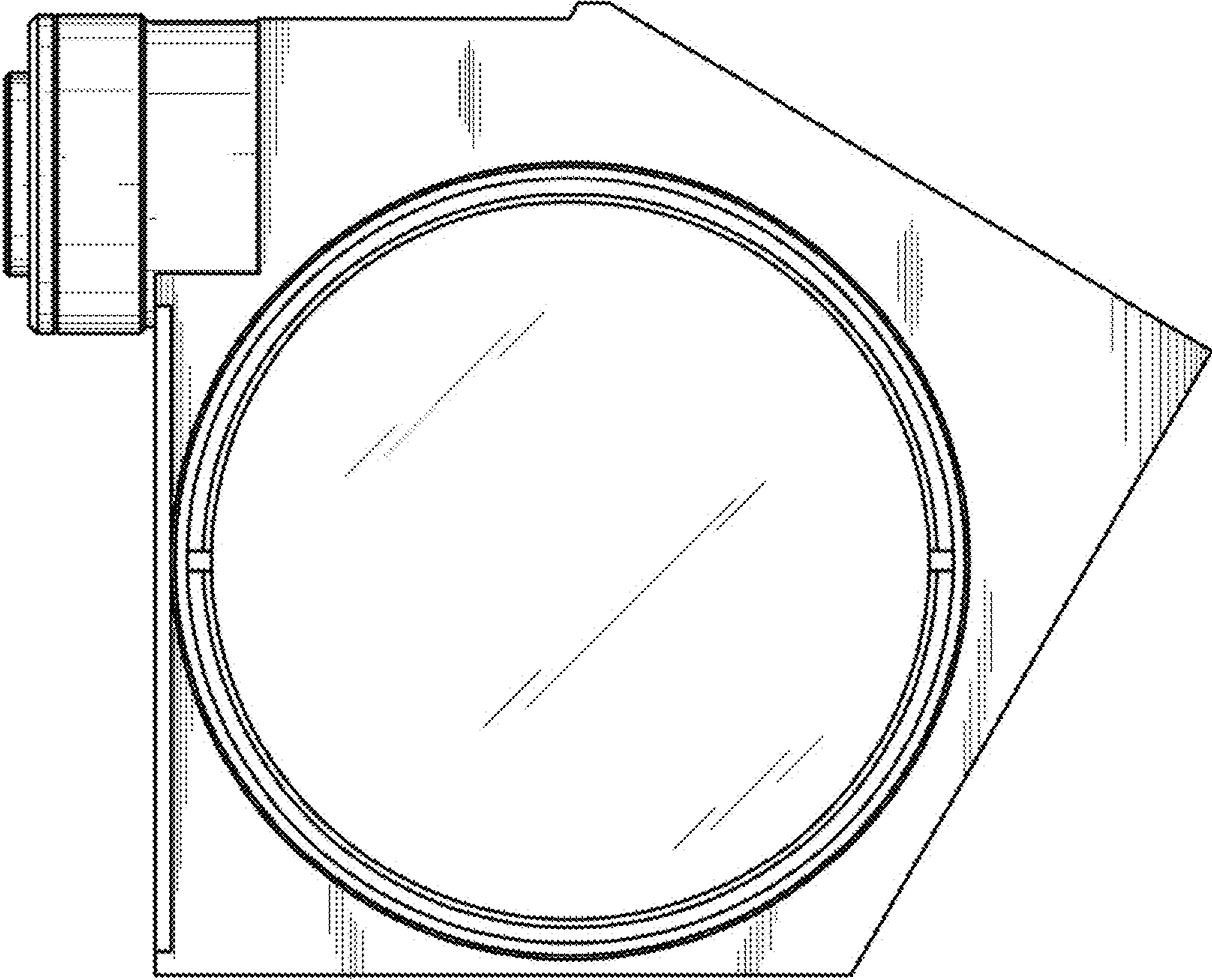


FIG. 5



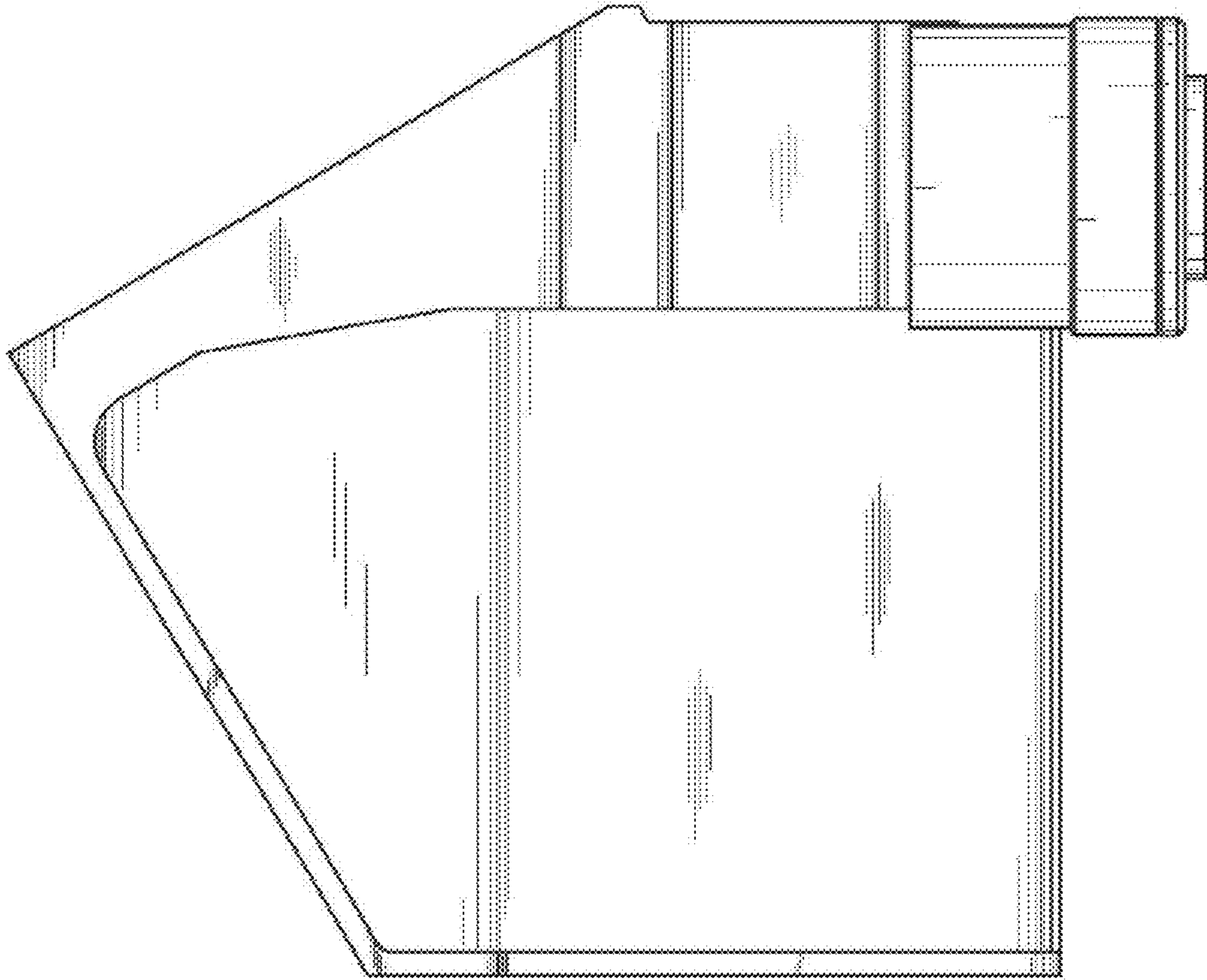


FIG. 6

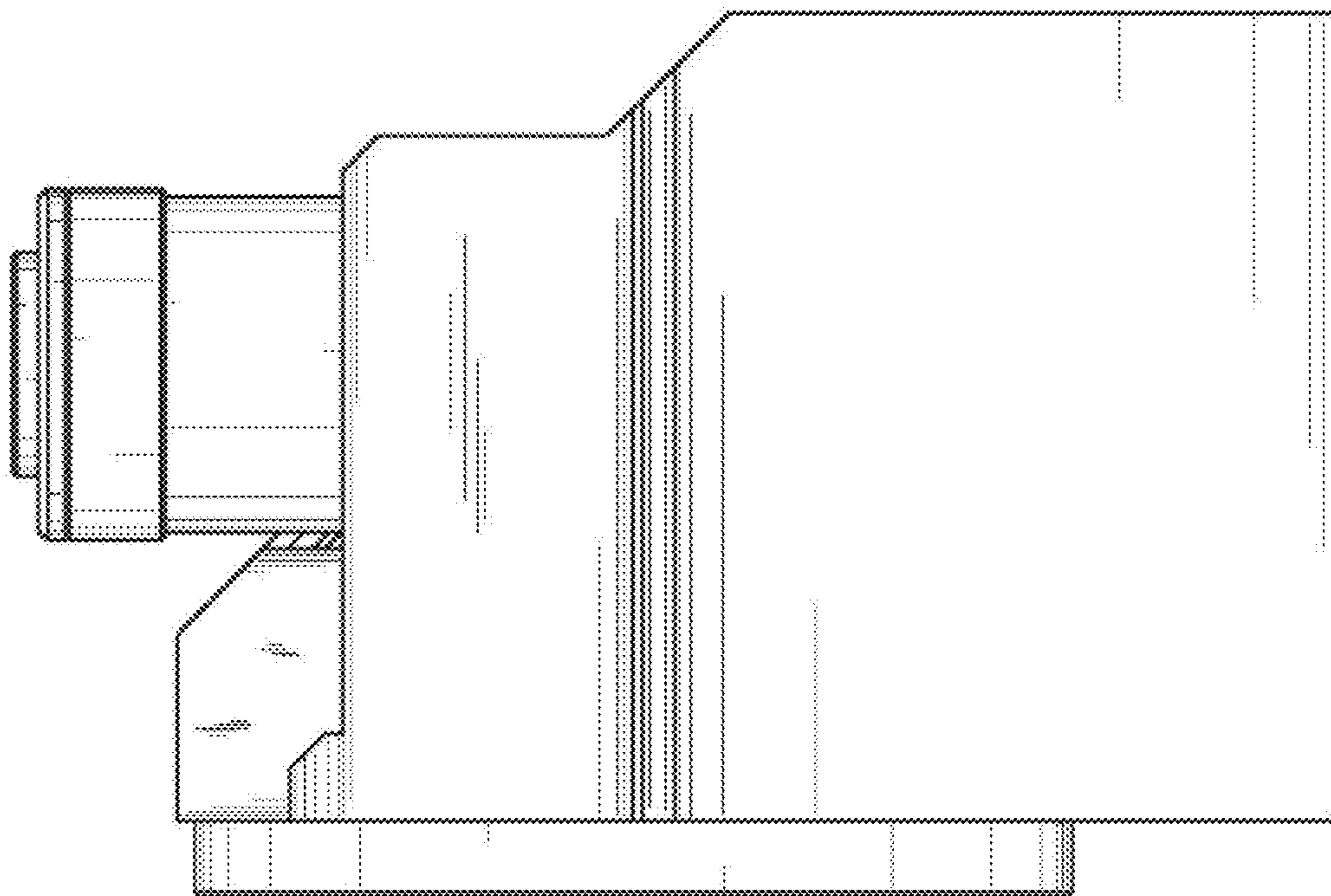


FIG. 7



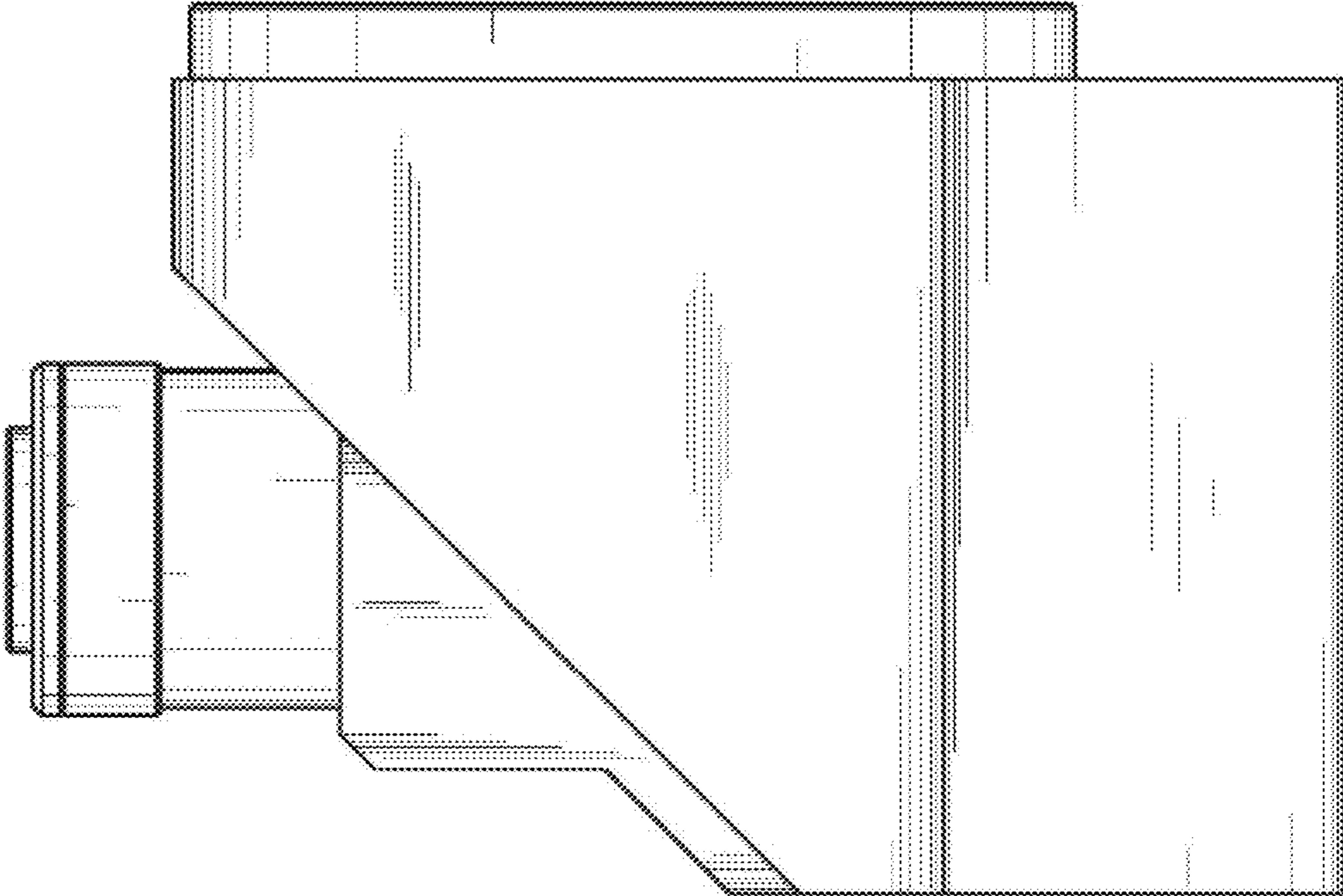


FIG. 8