



US00D813285S

(12) **United States Design Patent**
Wei et al.

(10) **Patent No.:** **US D813,285 S**
(45) **Date of Patent:** **** Mar. 20, 2018**

(54) **INTELLIGENT ROBOT FOR COMMERCIAL SERVICE**

(71) Applicant: **BEIJING EVOLVER ROBOTICS TECHNOLOGY Co., Ltd.**, Beijing (CN)

(72) Inventors: **Ran Wei**, Beijing (CN); **Qingyun Xu**, Beijing (CN); **Bai Han**, Beijing (CN)

(73) Assignee: **Beijing Evolver Robotics Technology Co., Ltd.**, Beijing (CN)

(**) Term: **15 Years**

(21) Appl. No.: **29/582,582**

(22) Filed: **Oct. 28, 2016**

(30) **Foreign Application Priority Data**

Aug. 24, 2016 (CN) 2016 3 0418127

(51) **LOC (11) Cl.** **15-99**

(52) **U.S. Cl.**
USPC **D15/199**

(58) **Field of Classification Search**
USPC D7/300, 305, 306-311, 397-400;
D10/16, 22, 23, 25, 28; D15/10-13, 22,
D15/199; D20/1, 4, 5, 8; D23/383;
D32/17, 18, 21, 22, 31-34
CPC A63H 11/00; A63H 2200/00; B25J 9/00;
B25J 9/04; B29J 18/00; G06N 3/00;
G06N 3/004; G06N 3/008
See application file for complete search history.

(56) **References Cited**

U.S. PATENT DOCUMENTS

D376,229 S * 12/1996 Hughes D32/21
D377,854 S * 2/1997 Clouet D32/21
D378,452 S * 3/1997 Kohler D32/21
D403,475 S * 12/1998 Mehaffey D32/21
D416,363 S * 11/1999 Moritani D32/21
D445,458 S * 7/2001 Tomioka D20/1

(Continued)

FOREIGN PATENT DOCUMENTS

WO WO 2007041295 A2 * 4/2007 B25J 5/007
WO WO 2017020734 A1 * 2/2017 B25J 11/00

OTHER PUBLICATIONS

Chinese Robot Smashes Booth and Injures Man at Shenzhen Hi-Tech Fair, posted on whatsonweibo.com, posted Nov. 18, 2016, no production date given, [online], [site visited Aug. 11, 2017], Available from Internet, <URL: <http://www.whatsonweibo.com/chinese-robot-smashes-booth-injures-man-shenzhen-hi-tech-fair/>>.*

(Continued)

Primary Examiner — Melanie H Tung

Assistant Examiner — Fritzgerald L Butac

(74) *Attorney, Agent, or Firm* — Andrew W. Chu; Craft Chu PLLC

(57) **CLAIM**

The ornamental design for an intelligent robot for commercial service, as shown and described.

DESCRIPTION

FIG. 1 is a front upper perspective view of the intelligent robot for commercial service showing my design with a lid in an opened configuration.

FIG. 2 is a front elevation view thereof;

FIG. 3 is a back elevation view thereof;

FIG. 4 is a side elevation view thereof;

FIG. 5 is an opposite side elevation view thereof;

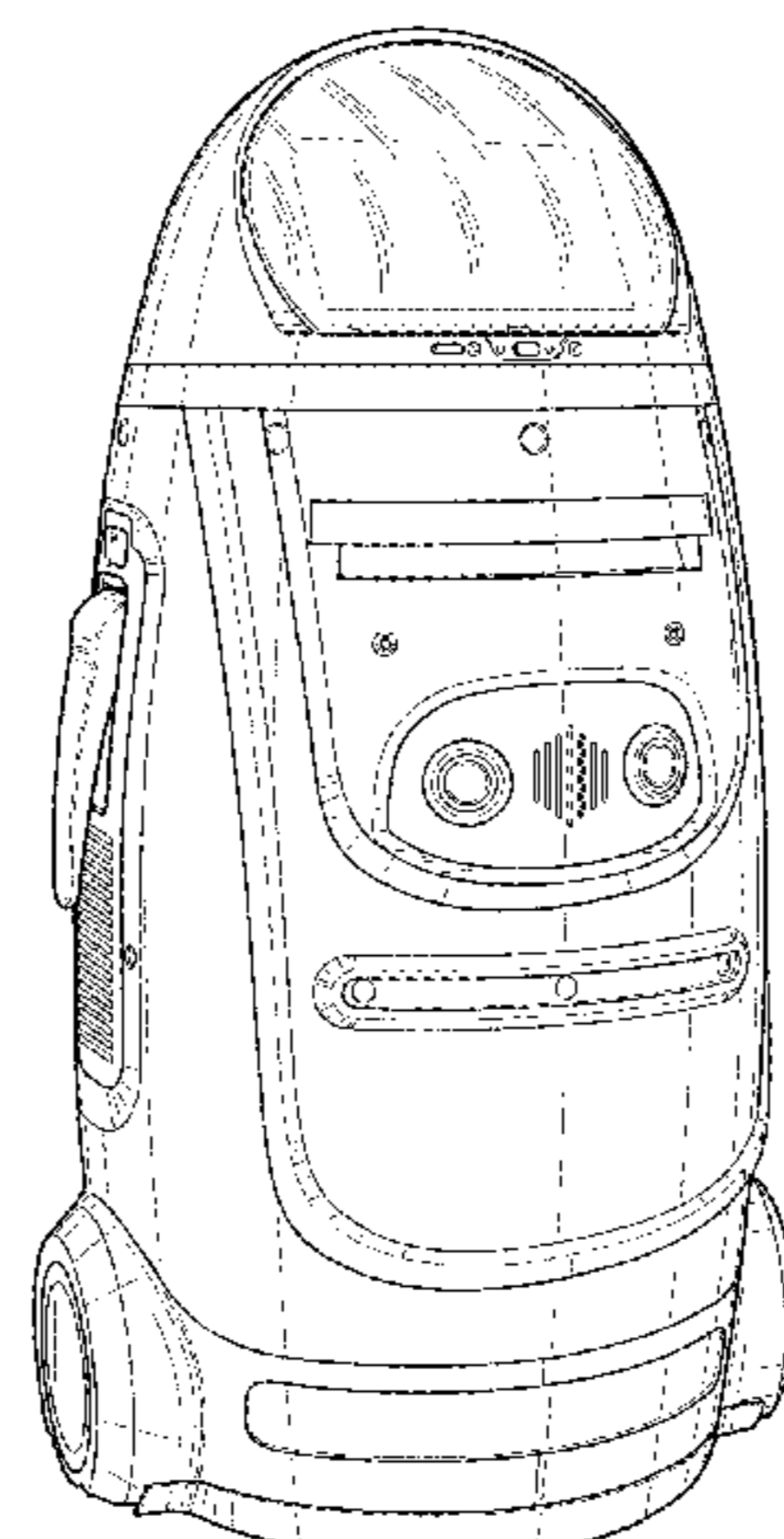
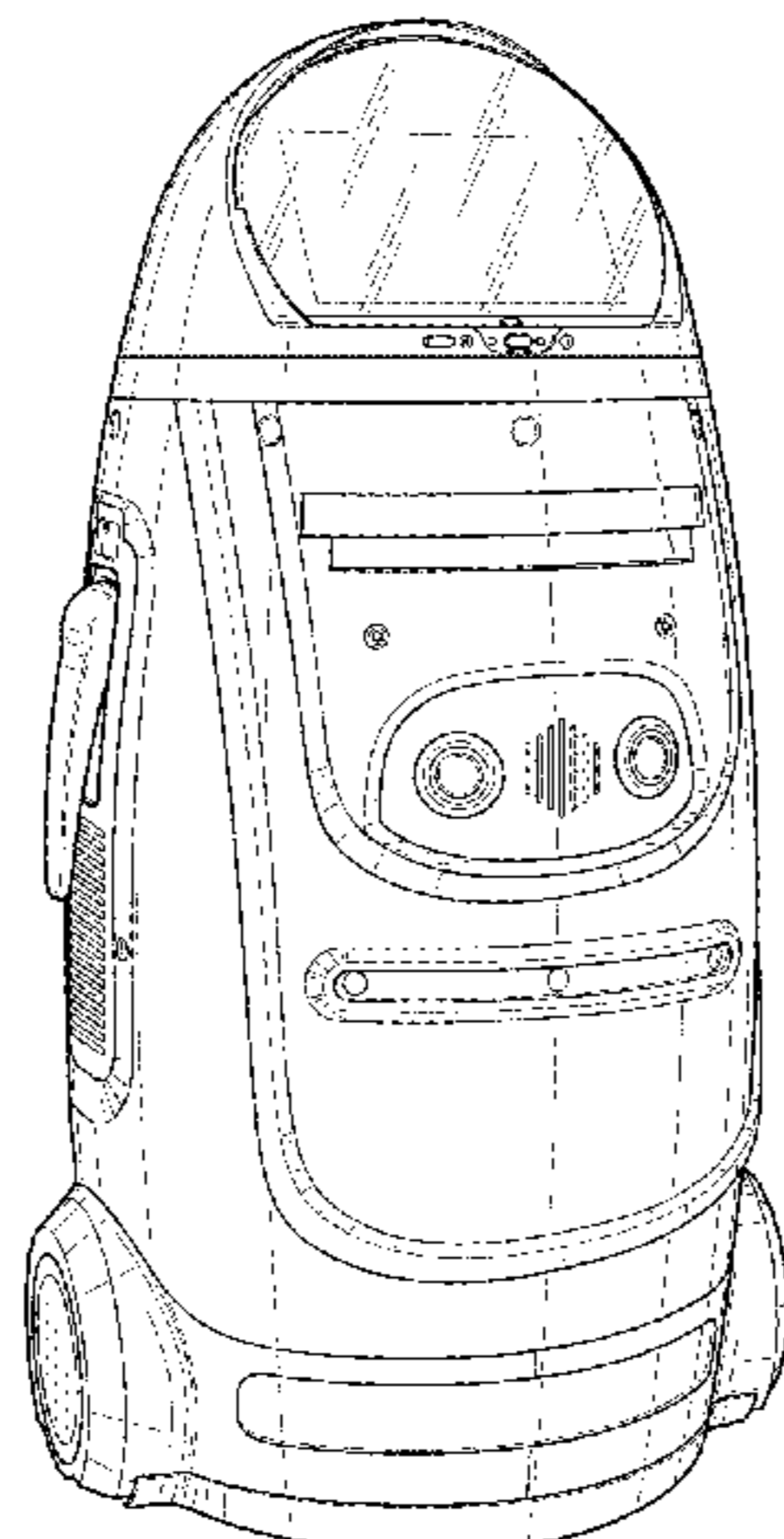
FIG. 6 is a top plan view thereof;

FIG. 7 is a bottom plan view thereof; and,

FIG. 8 is another perspective view thereof, showing the lid in a closed configuration.

The broken lines show portions of an intelligent robot for commercial service that form no part of the claimed design.

1 Claim, 4 Drawing Sheets



(56)

References Cited

U.S. PATENT DOCUMENTS

D458,318 S * 6/2002 Christianson D21/578
 D471,113 S * 3/2003 Merk D10/15
 D491,703 S * 6/2004 Harada D32/21
 D494,328 S * 8/2004 Otsuka D32/21
 D495,455 S * 8/2004 Brown D32/21
 D530,469 S * 10/2006 Ikeno D32/21
 D530,470 S * 10/2006 Ikeno D32/21
 D531,768 S * 11/2006 Lee D32/21
 D549,756 S * 8/2007 Park D15/199
 D551,814 S * 9/2007 Renner D32/15
 D556,959 S * 12/2007 Li D32/15
 D559,288 S * 1/2008 Matsuda D15/199
 D563,443 S * 3/2008 Ahn D15/199
 D576,703 S * 9/2008 Nathan D23/225
 D579,035 S * 10/2008 Kim B25J 11/008
 D591,014 S * 4/2009 Li D32/15
 D609,287 S * 2/2010 Kinzer D21/578
 D617,963 S * 6/2010 Ayers D32/21
 D617,964 S * 6/2010 Ayers D32/21
 D633,443 S * 3/2011 Wang D13/116
 D642,344 S * 7/2011 Fjellman D32/21
 D644,256 S * 8/2011 Kitano D15/199
 D644,257 S * 8/2011 Kitano D15/199
 D646,855 S * 10/2011 Kim D32/21
 D663,333 S * 7/2012 Kitano D15/199
 D663,334 S * 7/2012 Kitano D15/199
 D664,724 S * 7/2012 Chen D32/15
 8,359,122 B2 * 1/2013 Koselka B25J 5/007
 D682,494 S * 5/2013 Kim D32/21
 D687,017 S 7/2013 Ashcraft
 D688,711 S * 8/2013 Moretto D15/10
 D693,446 S * 11/2013 Preston B01L 7/02
 D23/314

D701,256 S * 3/2014 Song D15/199
 D712,101 S * 8/2014 Elmer D32/21
 D719,620 S * 12/2014 Clerc B25J 5/007
 D720,378 S * 12/2014 Dye D15/199
 D722,409 S * 2/2015 Chun D32/21
 D724,282 S * 3/2015 Irfan D32/21
 D725,166 S * 3/2015 Paik D15/199
 D725,330 S * 3/2015 Irfan D32/21
 D726,836 S * 4/2015 Song D15/199
 D730,866 S 6/2015 Ahsan
 D744,541 S 12/2015 Langhammer et al.
 D765,180 S * 8/2016 Huang D20/5
 D765,926 S * 9/2016 Bisson D32/22
 D766,644 S * 9/2016 Huang D15/199
 D770,107 S * 10/2016 Kim D32/31
 9,535,421 B1 * 1/2017 Canoso G05D 1/0214
 D781,009 S * 3/2017 Meyer D32/16
 D781,945 S * 3/2017 Uno D15/199
 D786,517 S * 5/2017 Cao D32/17
 D787,762 S * 5/2017 Thackray D32/21
 D792,037 S * 7/2017 Yin D32/17
 D792,495 S * 7/2017 Matsuda D15/199

OTHER PUBLICATIONS

At Tech Fair, China Unveils Armed Robot, posted on defensetech.org, posted Apr. 27, 2016, no production date given, [online], [site visited Aug. 11, 2017], Available from Internet, <URL: <https://www.defensetech.org/2016/04/27/at-tech-fair-china-unveils-armed-robot/>>.*

A security robot just drowned itself, so score one for mankind, posted on mashable.com, posted Jul. 17, 2017, no production date given, [online], [site visited Aug. 11, 2017], Available from Internet, <URL: http://mashable.com/2017/07/17/security-robot-drowns/#S_t3OkVmwPqV>.*

* cited by examiner

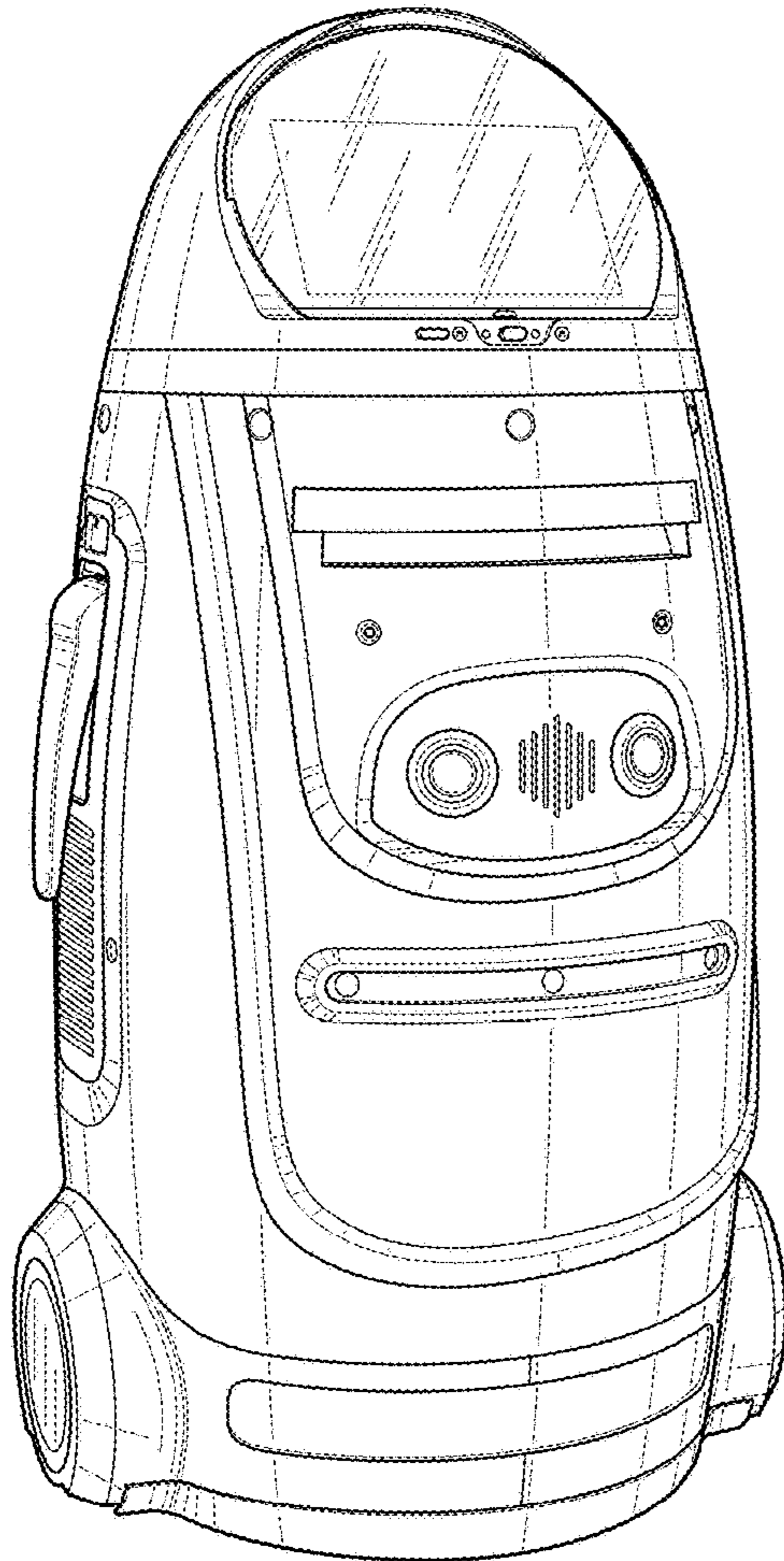


FIG. 1

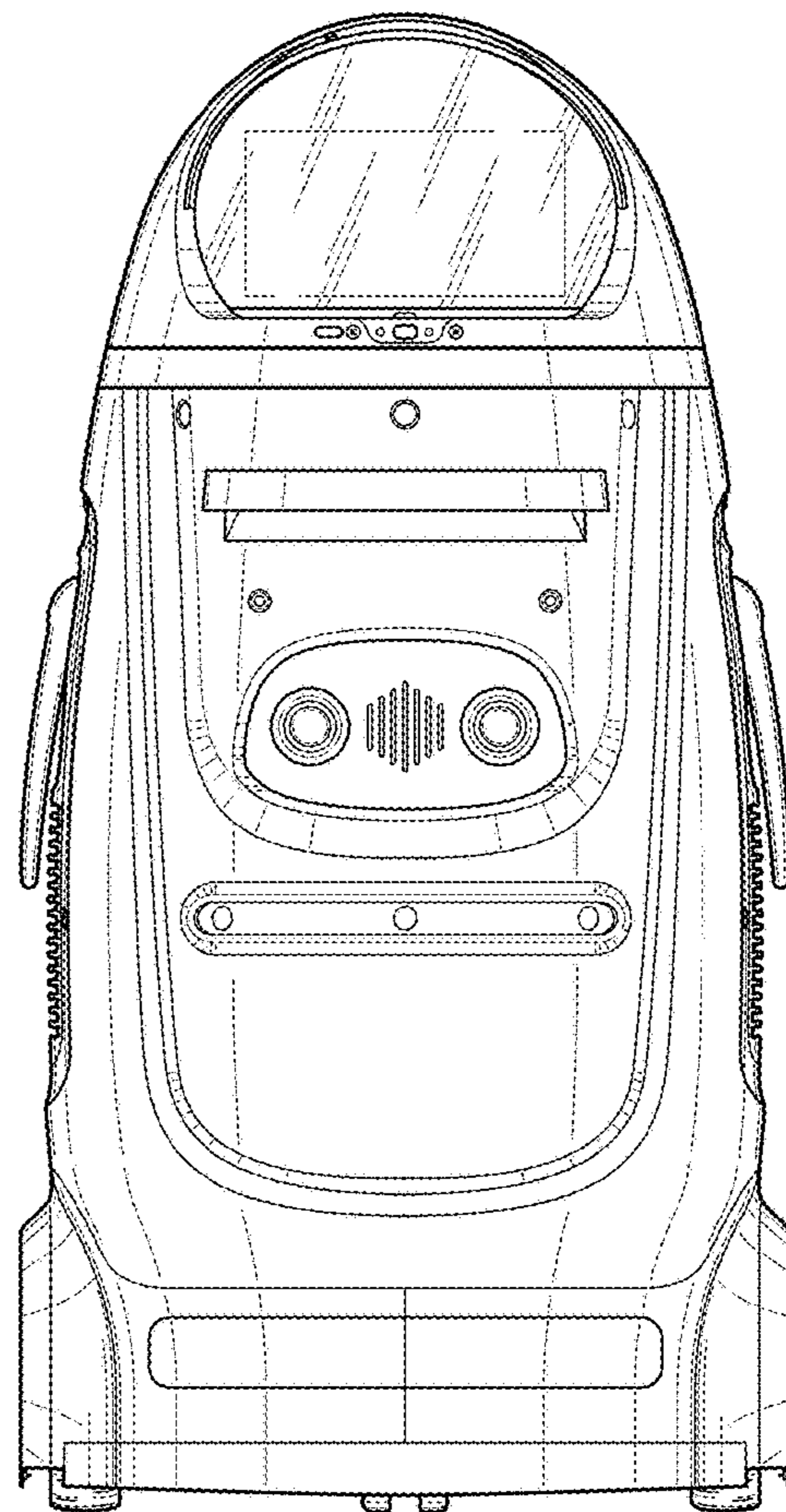


FIG. 2

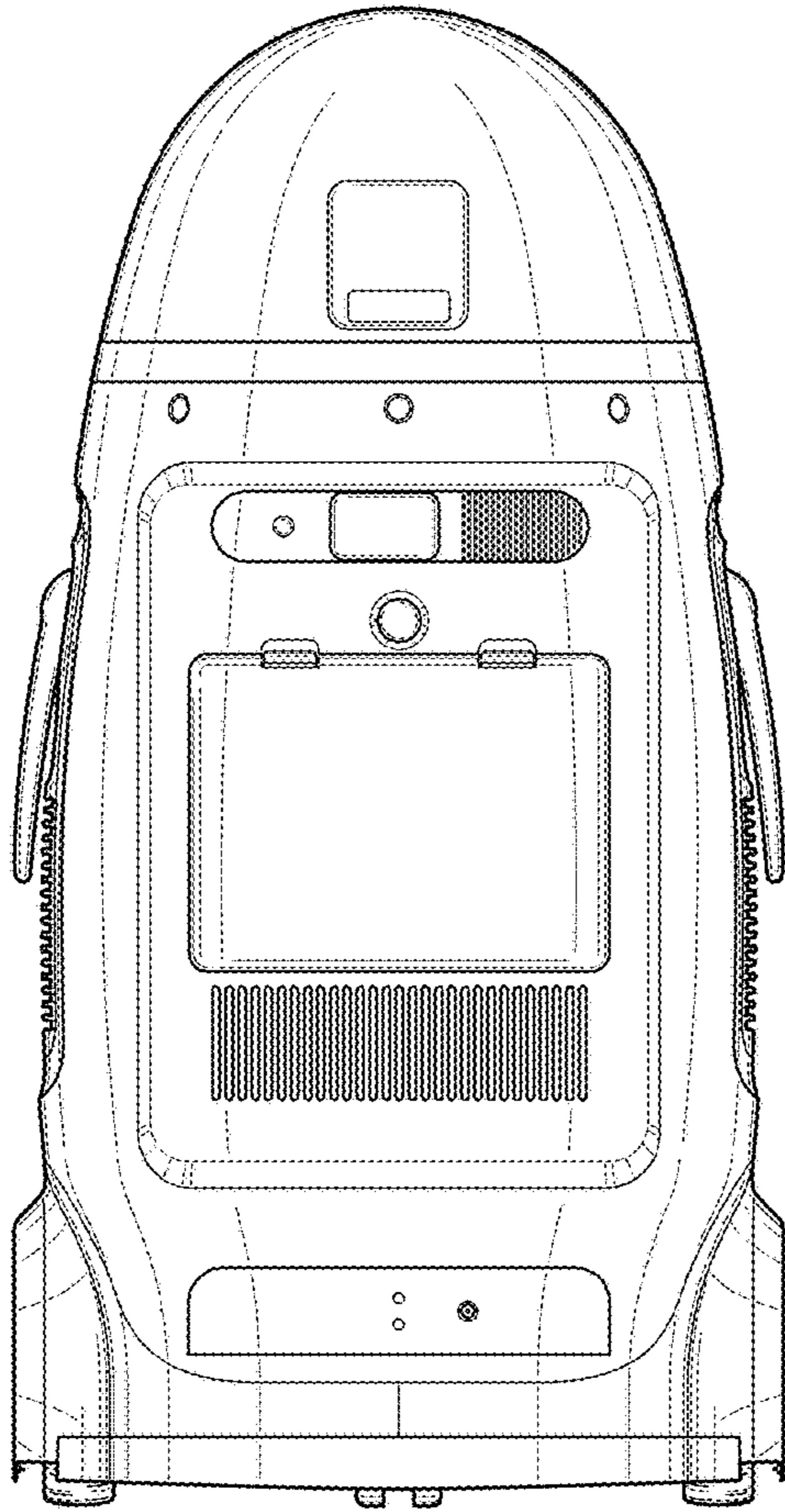


FIG. 3

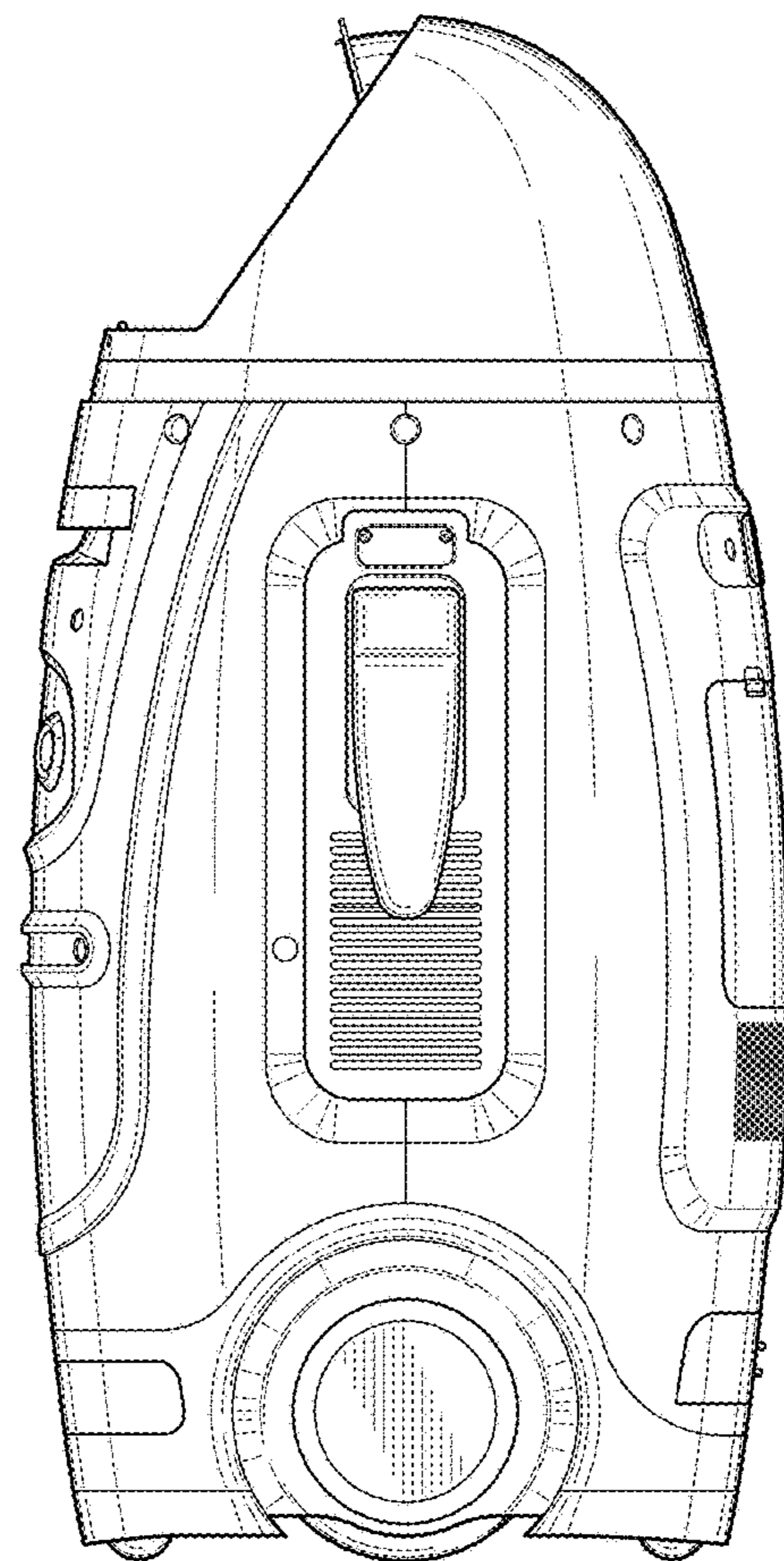


FIG. 4

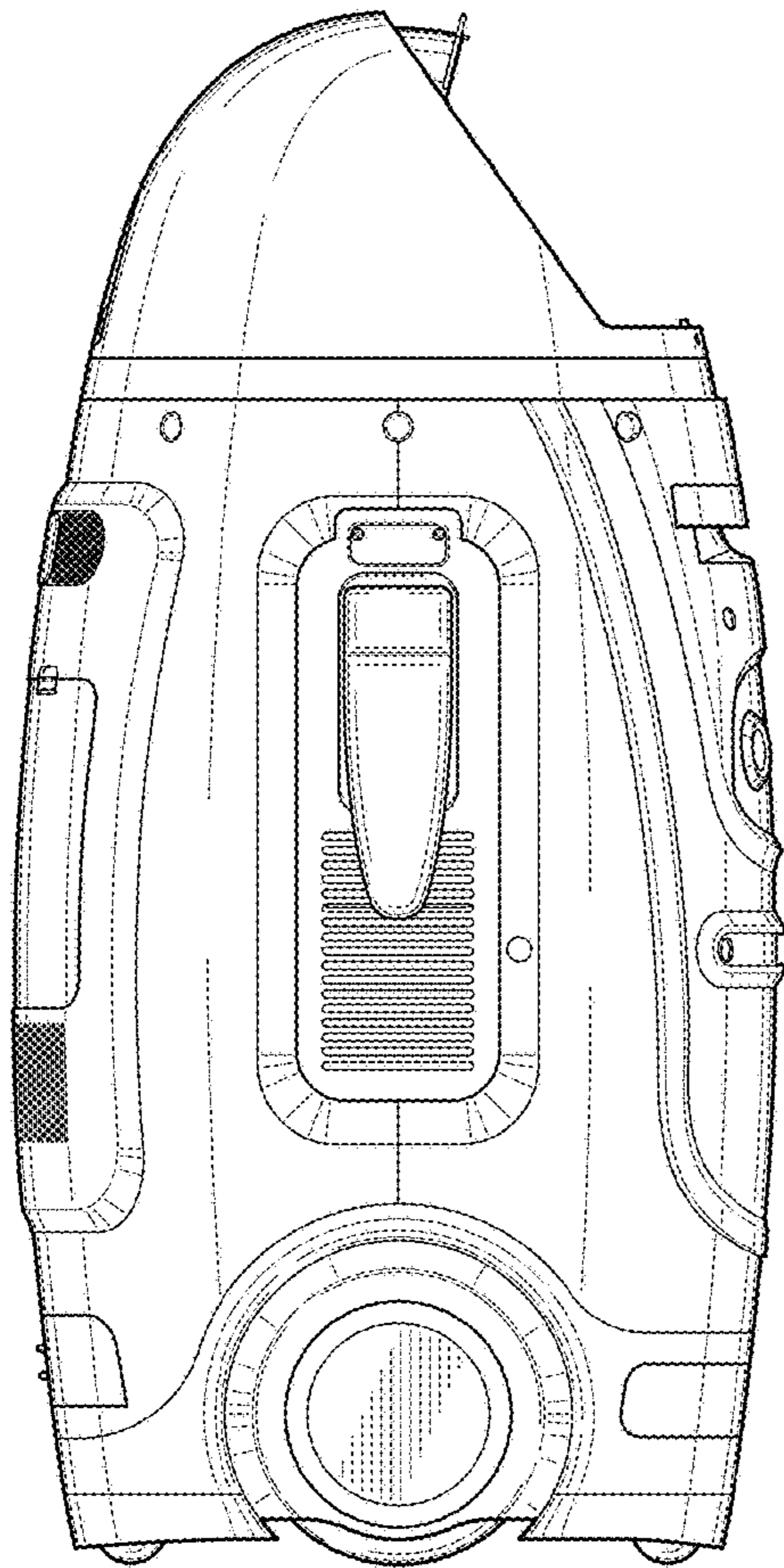


FIG. 5

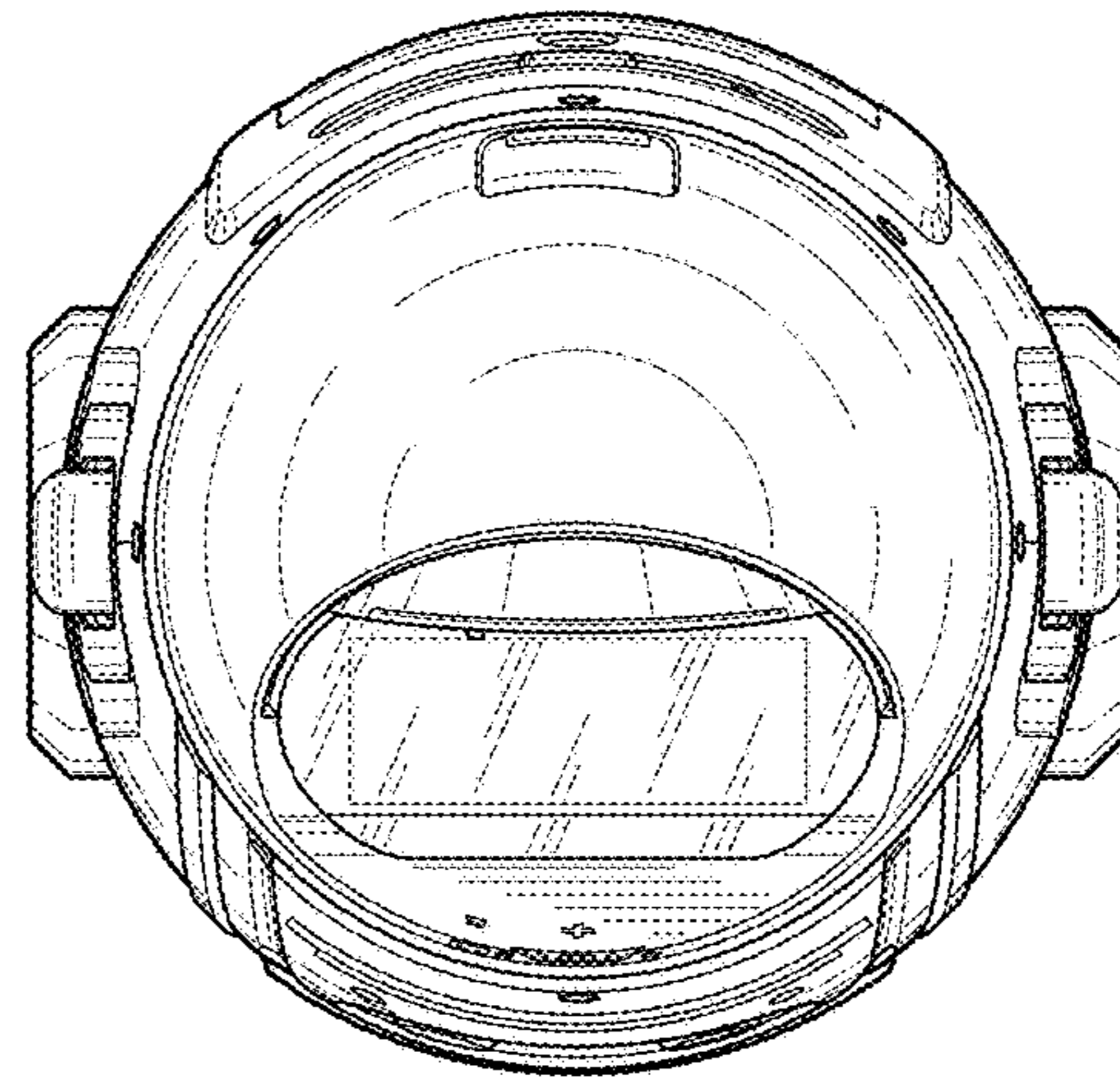


FIG. 6

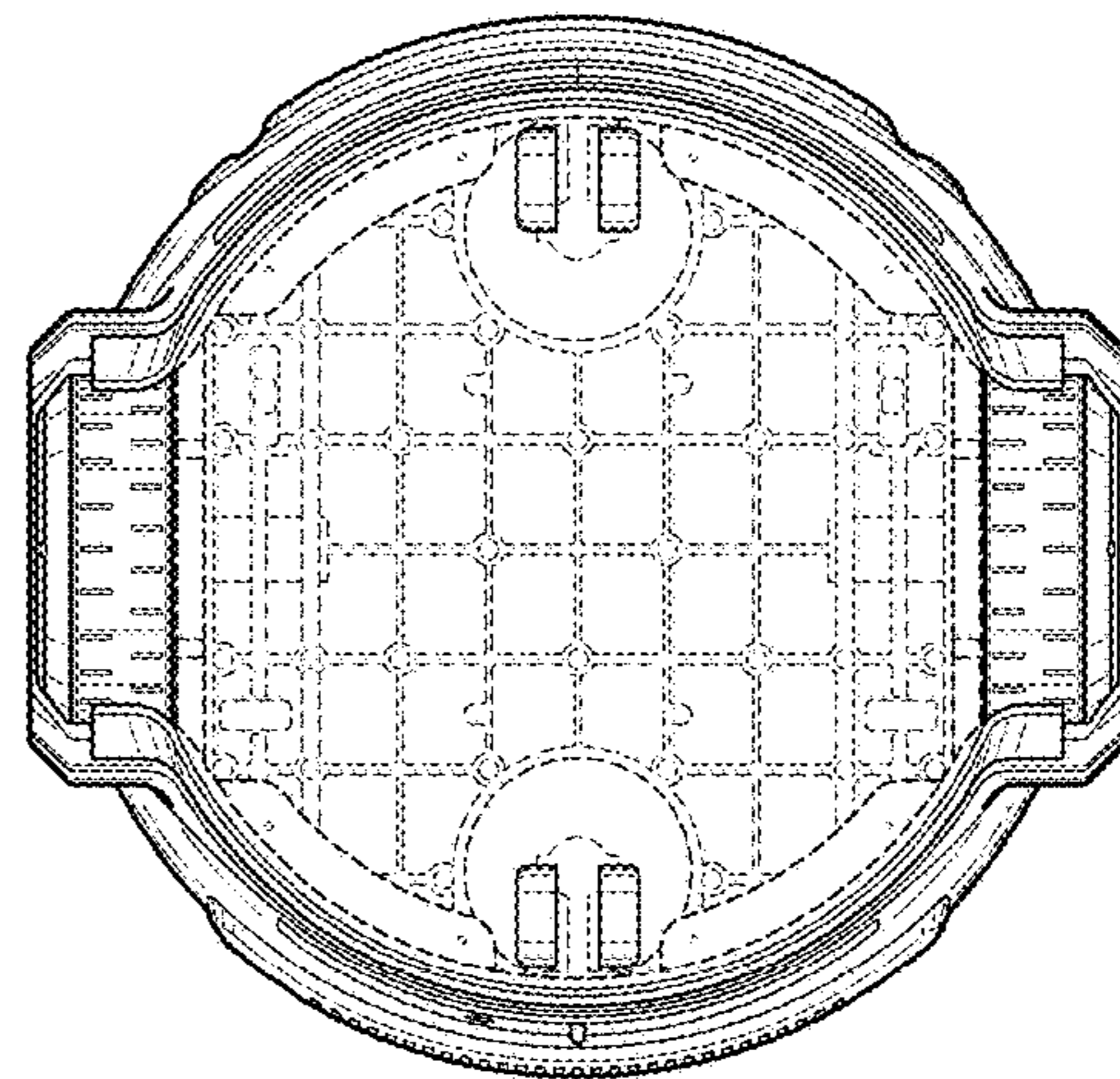


FIG. 7

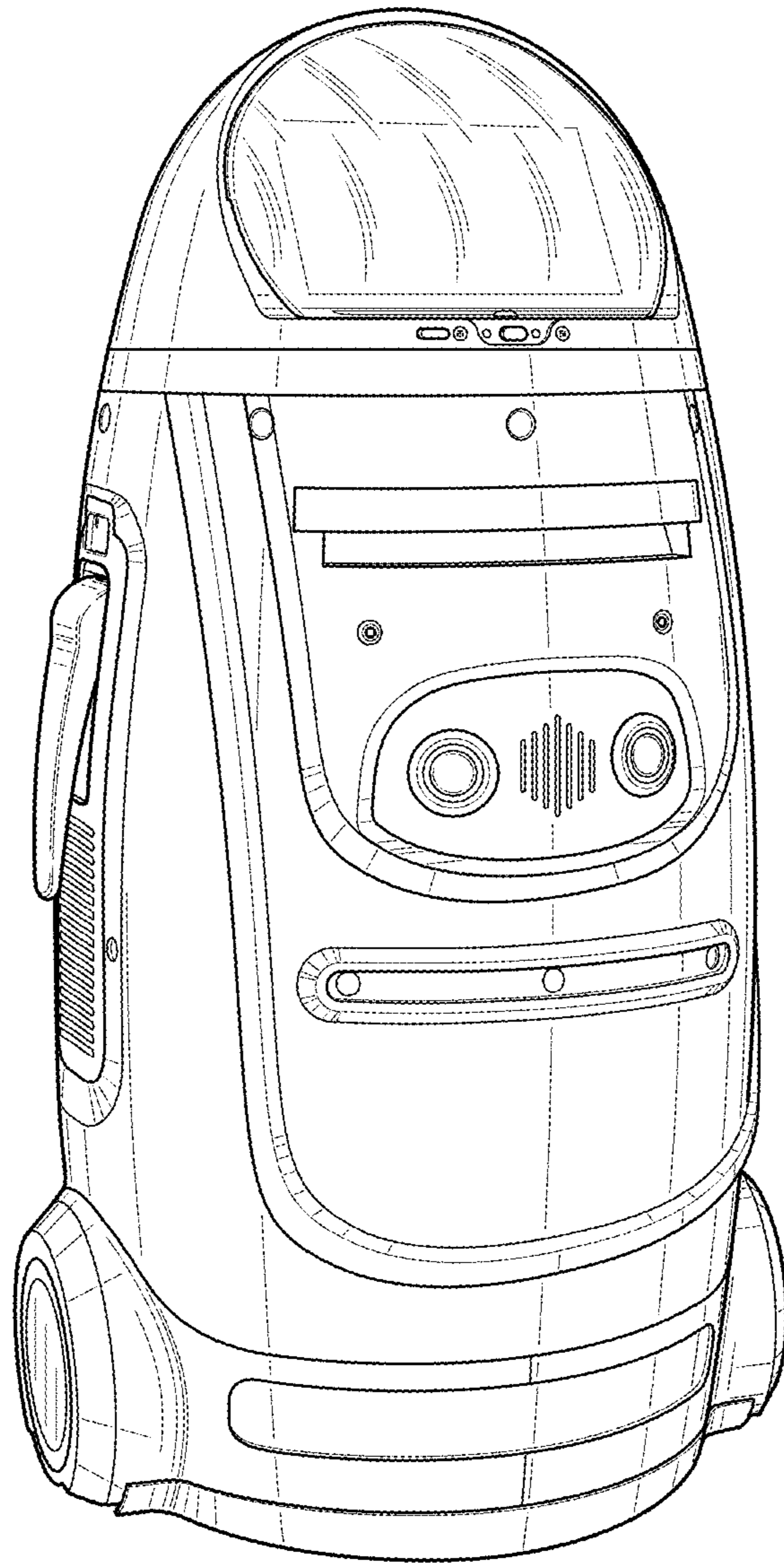


FIG. 8