



US00D813284S

(12) **United States Design Patent**
Wei et al.

(10) **Patent No.:** **US D813,284 S**
(45) **Date of Patent:** **** Mar. 20, 2018**

(54) **INTELLIGENT ROBOT FOR HOUSEHOLD SERVICE**

(71) Applicant: **BEIJING EVOLVER ROBOTICS TECHNOLOGY Co., Ltd.**, Beijing (CN)

(72) Inventors: **Ran Wei**, Beijing (CN); **Qingyun Xu**, Beijing (CN); **Bai Han**, Beijing (CN)

(73) Assignee: **Beijing Evolver Robotics Technology Co., Ltd.**, Beijing (CN)

(**) Term: **15 Years**

(21) Appl. No.: **29/582,579**

(22) Filed: **Oct. 28, 2016**

(30) **Foreign Application Priority Data**

Aug. 24, 2016 (CN) 2016 3 0418129

(51) **LOC (11) Cl.** **15-99**

(52) **U.S. Cl.**
USPC **D15/199**

(58) **Field of Classification Search**
USPC D7/300, 305, 306-311, 397-400;
D10/16, 22, 23, 25, 28; D15/10-13, 22,
D15/199; D20/1, 4, 5, 8; D23/383;
D32/17, 18, 21, 22, 31-34
CPC A63H 11/00; A63H 2200/00; B25J 9/00;
B25J 9/04; B29J 18/00; G06N 3/00;
G06N 3/004; G06N 3/008
See application file for complete search history.

(56) **References Cited**

U.S. PATENT DOCUMENTS

D376,229 S * 12/1996 Hughes D32/21
D377,854 S * 2/1997 Clouet D32/21
D378,452 S * 3/1997 Kohler D32/21
D458,318 S * 6/2002 Christianson D21/578
D471,113 S * 3/2003 Merk D10/15
D495,455 S * 8/2004 Brown D32/21

D530,469 S * 10/2006 Ikeno D32/21
D530,470 S * 10/2006 Ikeno D32/21
D531,768 S * 11/2006 Lee D32/21
D549,756 S * 8/2007 Park D15/199
D551,814 S * 9/2007 Renner D32/15

(Continued)

OTHER PUBLICATIONS

Chinese Robot Smashes Booth and Injures Man at Shenzhen Hi-Tech Fair, posted on whatsonweibo.com, posted Nov. 18, 2016, no production date given, [online], [site visited Aug. 11, 2017], Available from Internet, <URL: <http://www.whatsonweibo.com/chinese-robot-smashes-booth-injures-man-shenzhen-hi-tech-fair/>>.*

(Continued)

Primary Examiner — Melanie H Tung

Assistant Examiner — Fritzgerald L Butac

(74) *Attorney, Agent, or Firm* — Andrew W. Chu; Craft Chu PLLC

(57) **CLAIM**

The ornamental design for an intelligent robot for household service, as shown and described.

DESCRIPTION

FIG. 1 is a front upper perspective view of the intelligent robot for household service showing our design with a lid in the opened configuration.

FIG. 2 is a front elevation view thereof;

FIG. 3 is a back elevation view thereof;

FIG. 4 is a side elevation view thereof;

FIG. 5 is an opposite side elevation view thereof;

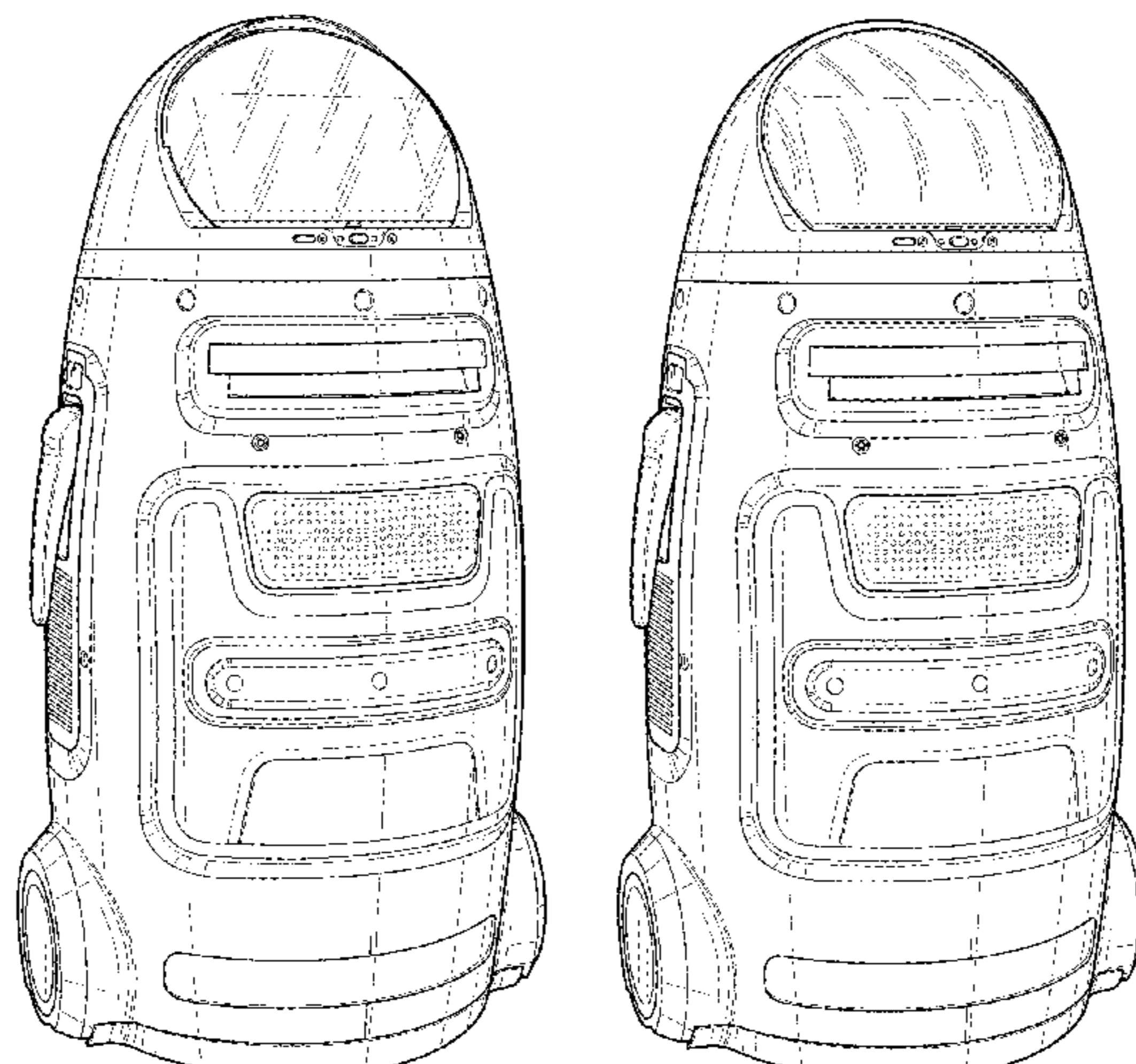
FIG. 6 is a top plan view thereof;

FIG. 7 is a bottom plan view thereof; and,

FIG. 8 is another perspective view thereof, showing the lid in a closed configuration.

The broken lines show portions of an intelligent robot for household service that form no part of the claimed design.

1 Claim, 4 Drawing Sheets



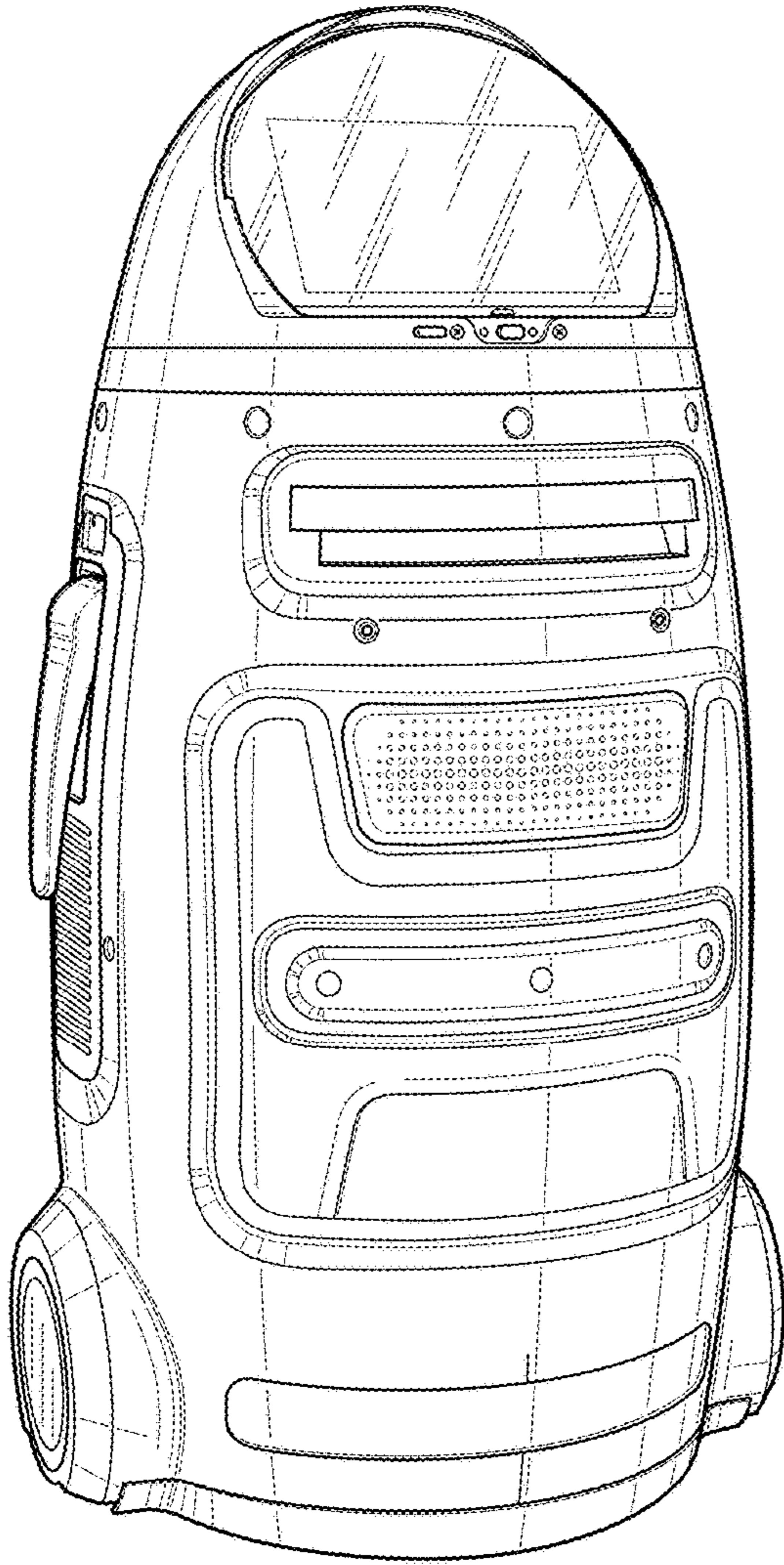


FIG. 1

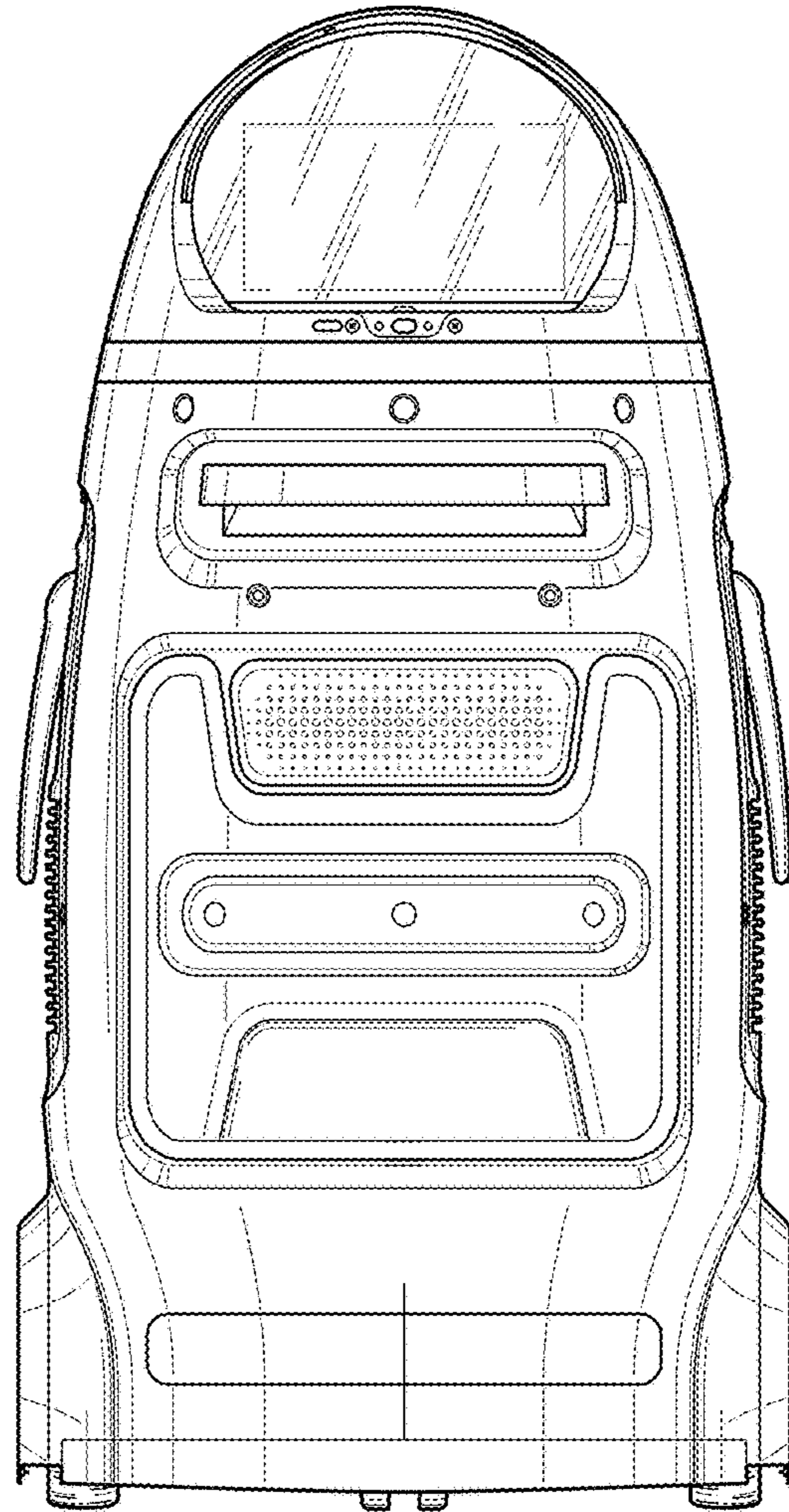


FIG. 2

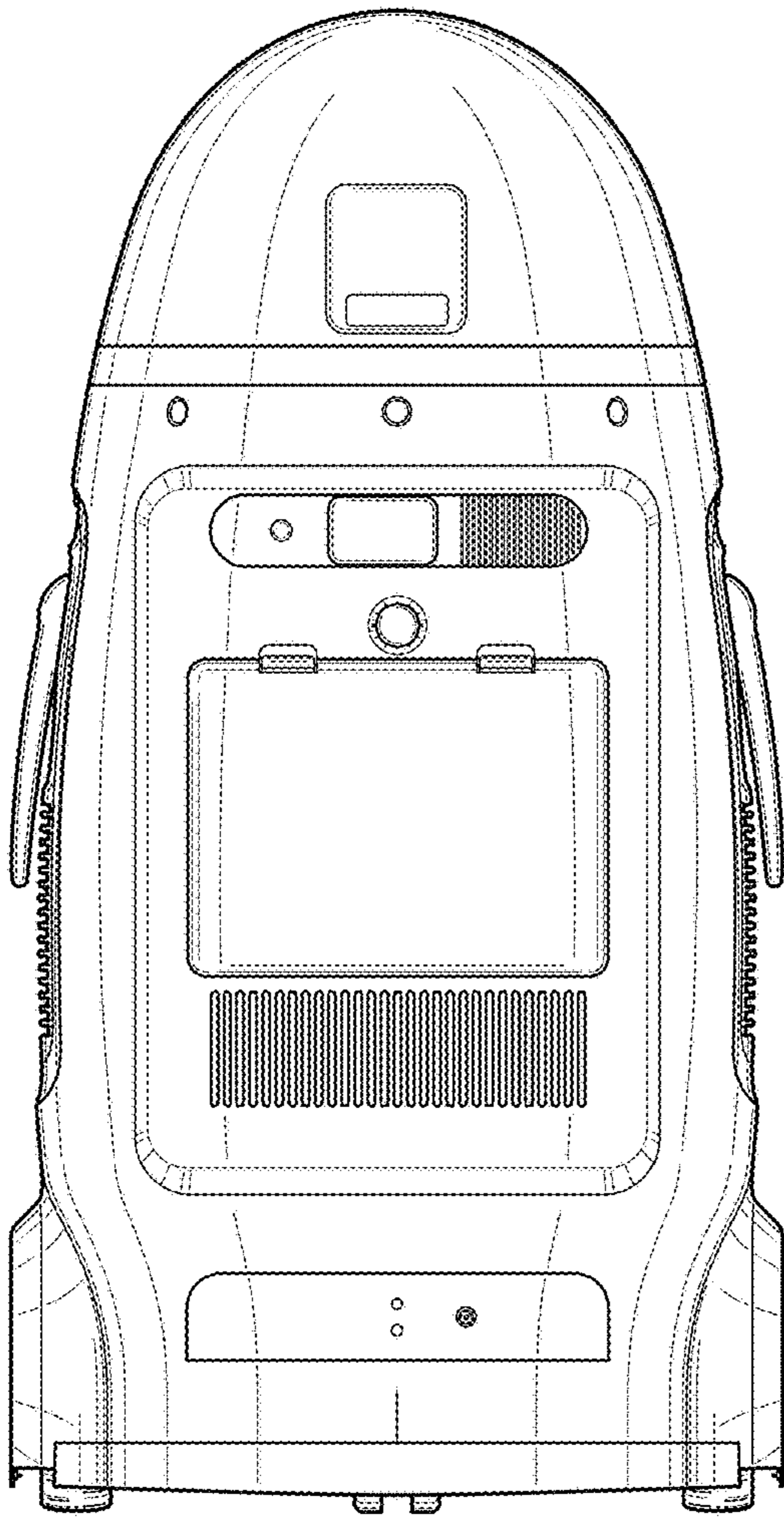


FIG. 3

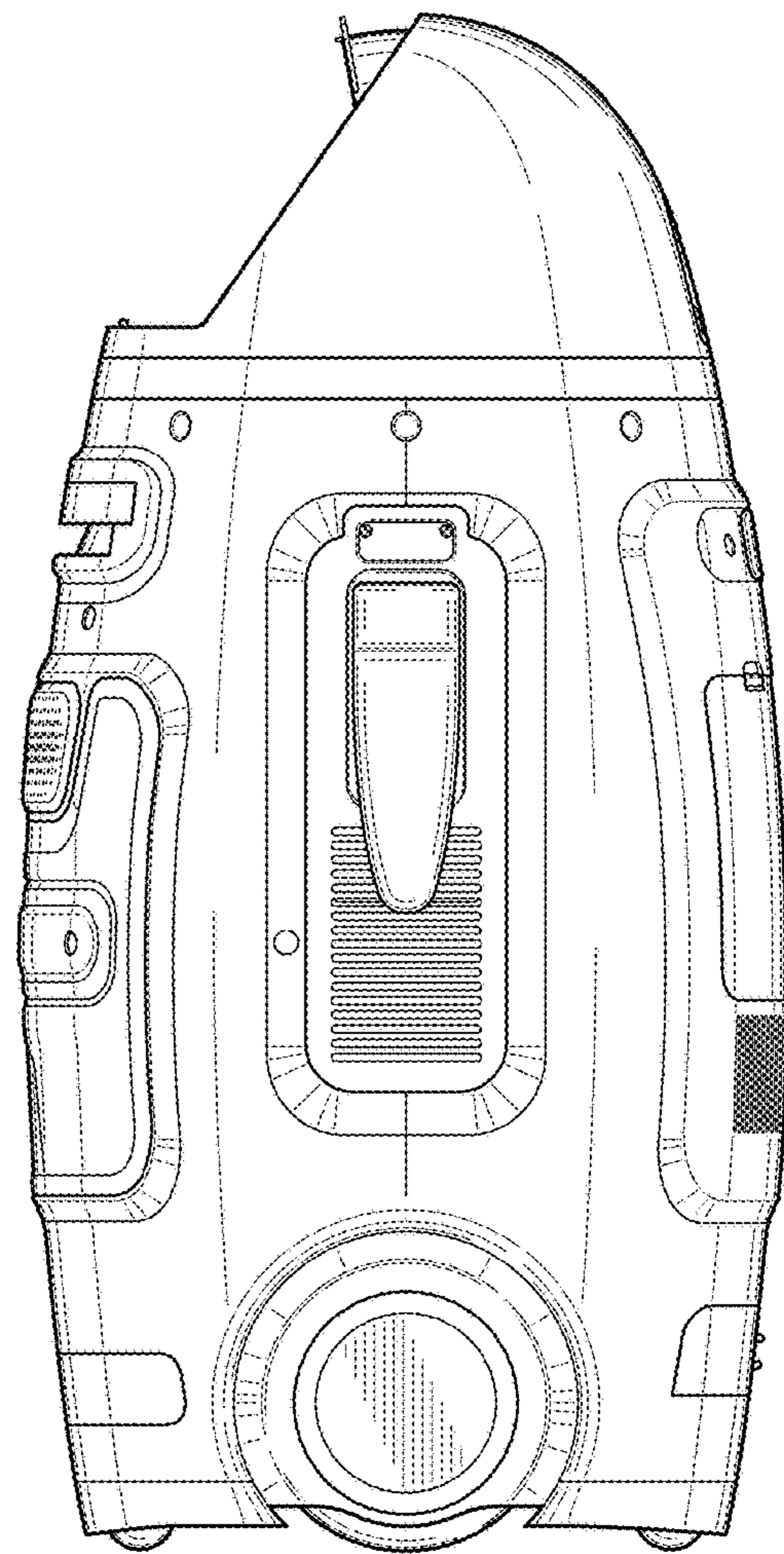


FIG. 4

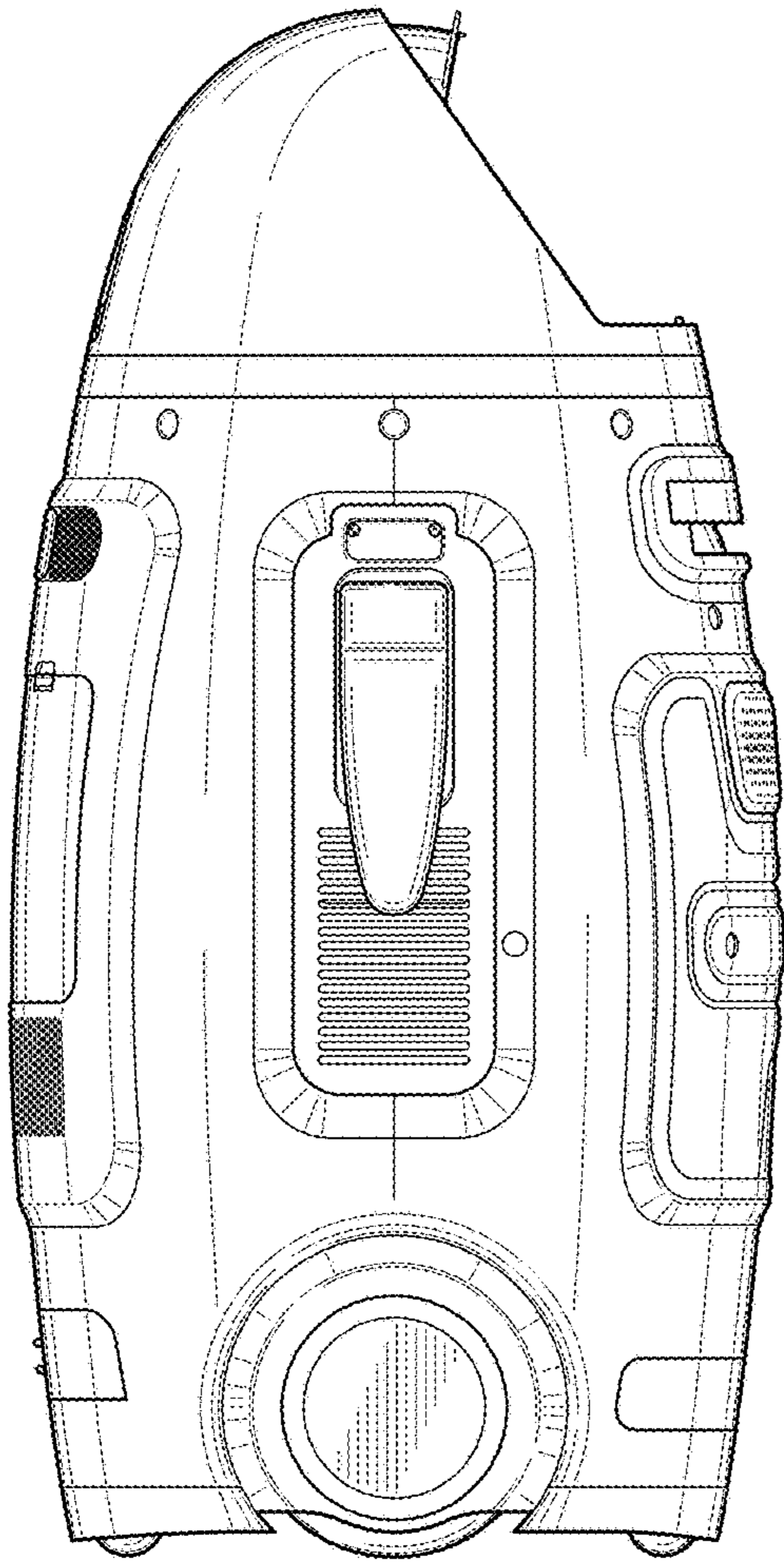


FIG. 5

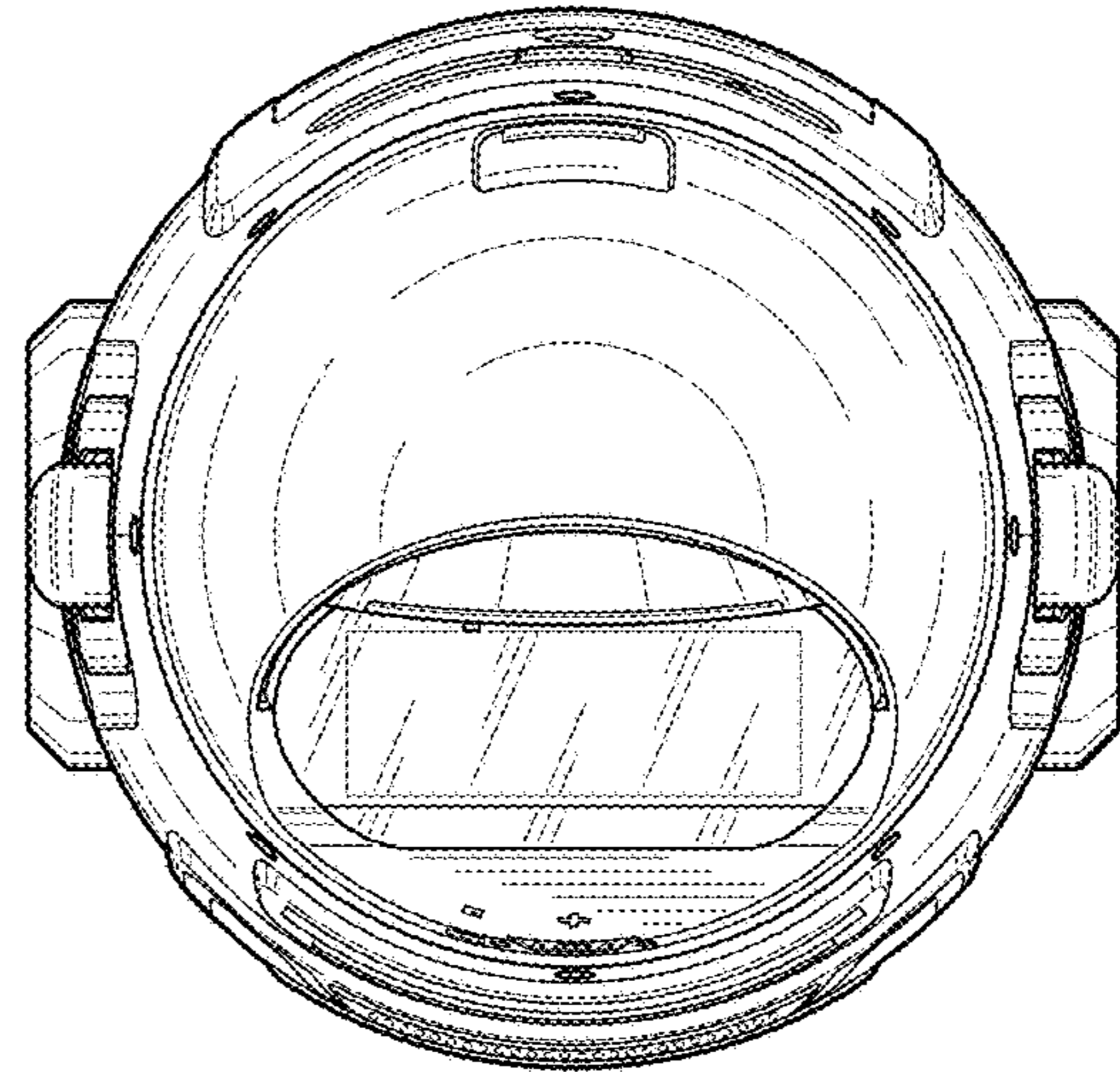


FIG. 6

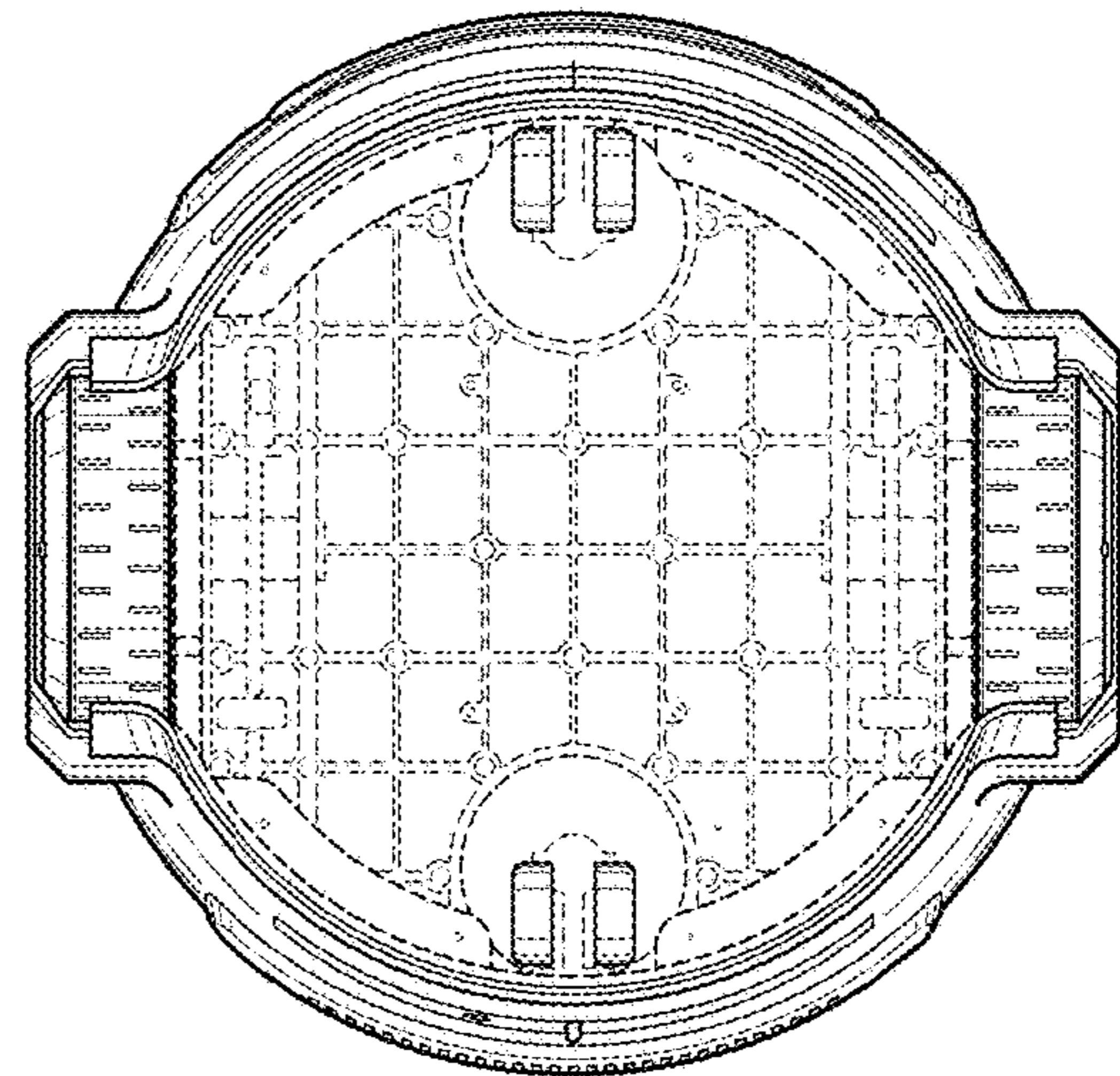


FIG. 7

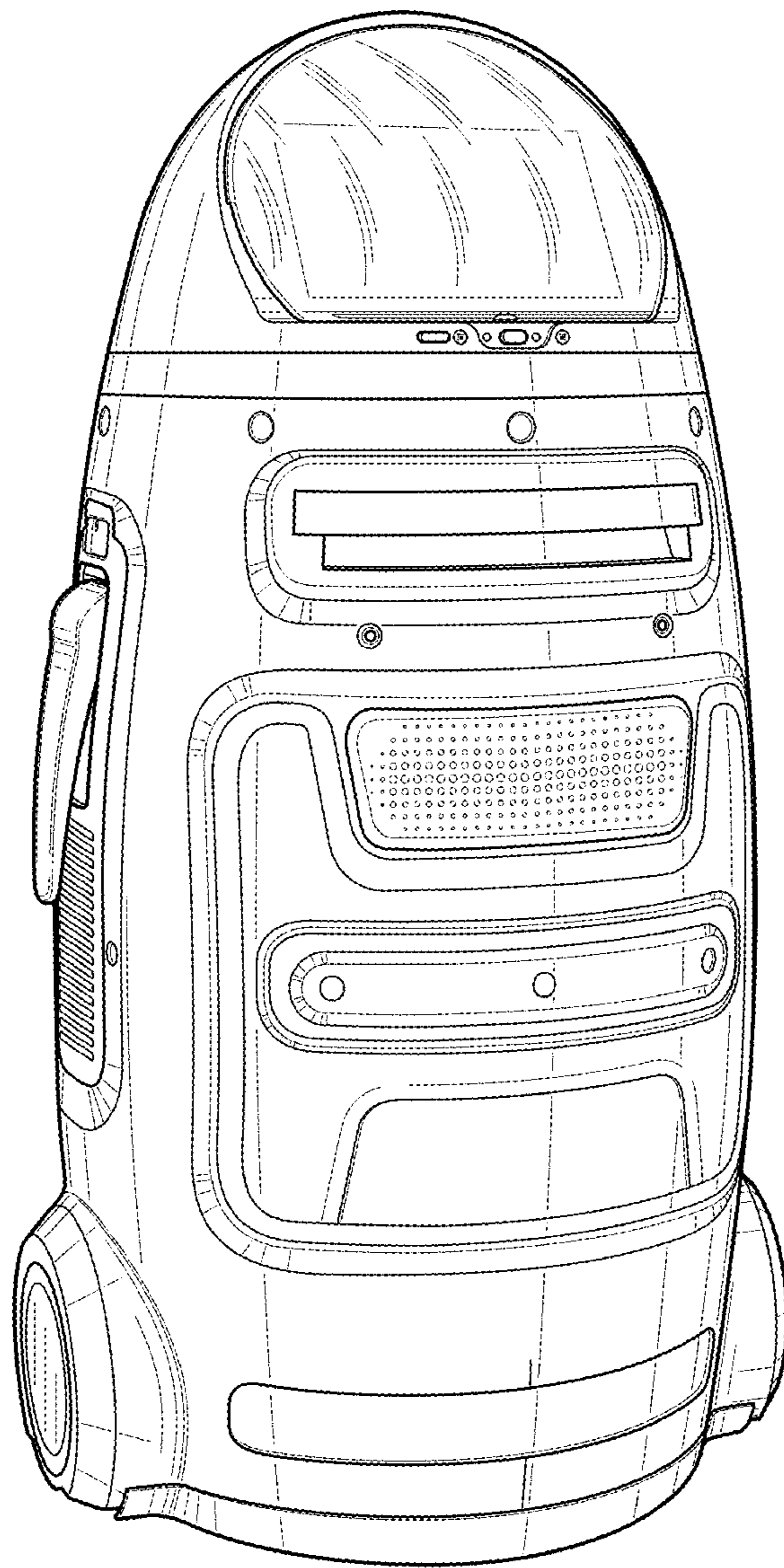


FIG. 8