



US00D813283S

(12) **United States Design Patent**  
**Endo et al.**

(10) **Patent No.:** **US D813,283 S**  
(45) **Date of Patent:** **\*\* Mar. 20, 2018**

(54) **ROBOT HAND**

(71) Applicant: **THK CO., LTD.**, Tokyo (JP)

(72) Inventors: **Yoshimasa Endo**, Tokyo (JP); **Fumiya Koizumi**, Tokyo (JP)

(73) Assignee: **THK CO., LTD.**, Tokyo (JP)

(\*\*) Term: **15 Years**

(21) Appl. No.: **29/548,703**

(22) Filed: **Dec. 16, 2015**

(30) **Foreign Application Priority Data**

Jun. 17, 2015 (JP) ..... 2015-013351

(51) **LOC (11) Cl.** ..... **15-99**

(52) **U.S. Cl.**  
USPC ..... **D15/199**

(58) **Field of Classification Search**  
USPC ..... D15/199  
CPC ... B25J 9/102; B25J 15/08; B25J 15/10; B25J 15/026; Y10S 901/32; Y10S 901/39  
See application file for complete search history.

(56) **References Cited**

**U.S. PATENT DOCUMENTS**

4,766,775 A \* 8/1988 Hodge ..... B25J 9/08  
403/13  
D572,739 S \* 7/2008 Jennings ..... D15/199  
D665,759 S \* 8/2012 Sato ..... D13/199  
2010/0207412 A1 \* 8/2010 Okazaki ..... B25J 9/104  
294/106

2011/0241369 A1 \* 10/2011 Kamon ..... B25J 9/102  
294/213  
2014/0103676 A1 \* 4/2014 Nammoto ..... B25J 18/02  
294/213  
2014/0232124 A1 \* 8/2014 Dan ..... B25J 15/0009  
294/198  
2015/0217458 A1 \* 8/2015 Nammoto ..... B25J 15/065  
414/737  
2016/0158943 A1 \* 6/2016 Ha ..... B25J 19/0054  
74/490.06  
2017/0105346 A1 \* 4/2017 Davidson ..... A01D 46/30  
2017/0151679 A1 \* 6/2017 Wong ..... B25J 15/10  
2017/0190055 A1 \* 7/2017 Zhao ..... B25J 15/08

\* cited by examiner

*Primary Examiner* — Patricia A Palasik

(74) *Attorney, Agent, or Firm* — Westerman, Hattori, Daniels & Adrian, LLP

(57) **CLAIM**

The ornamental design for a robot hand, as shown and described.

**DESCRIPTION**

FIG. 1 is a front view of a robot hand;  
FIG. 2 is a rear view thereof;  
FIG. 3 is a right elevational side view thereof;  
FIG. 4 is a left elevational side view thereof;  
FIG. 5 is a top plan view thereof; and,  
FIG. 6 is a bottom plan view thereof.  
The broken lines in the drawings depict unclaimed environmental subject matter and form no part of the claimed design.

**1 Claim, 6 Drawing Sheets**

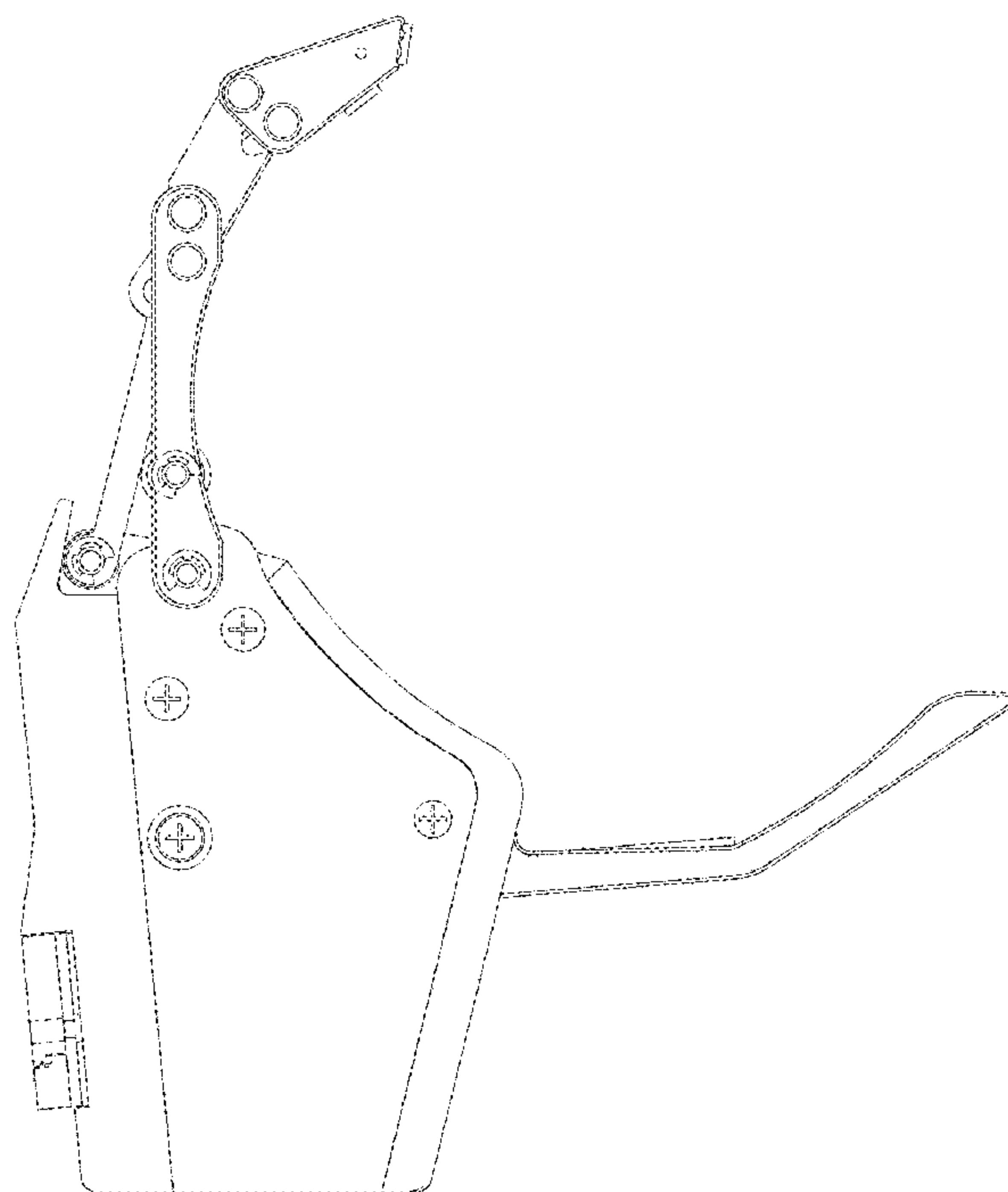


FIG. 1

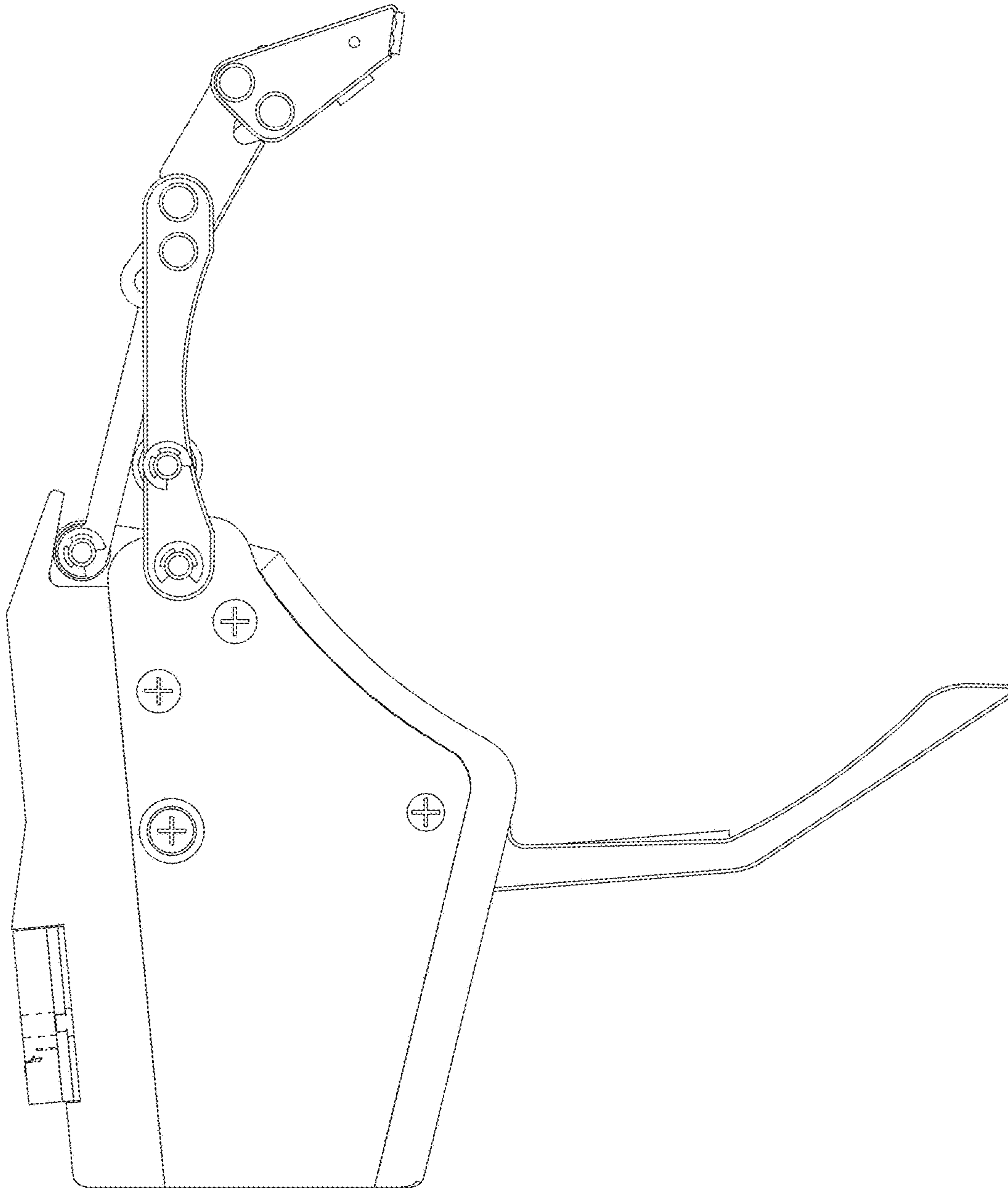


FIG.2

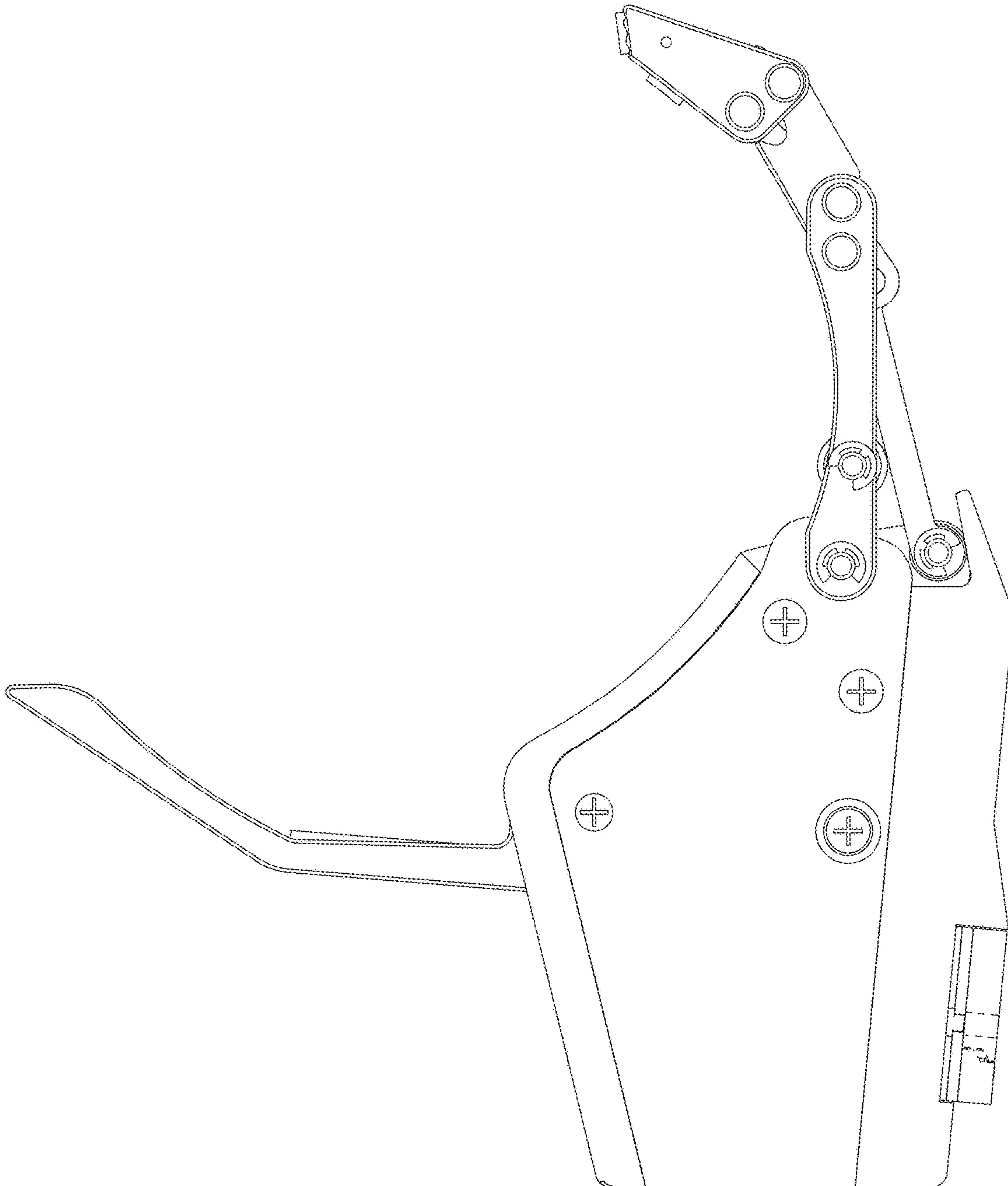


FIG.3

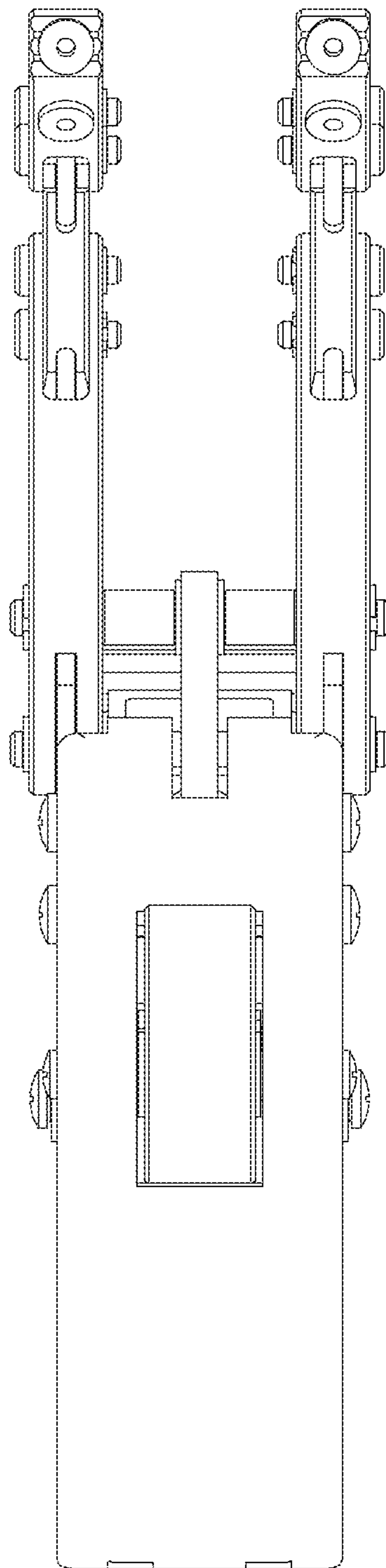


FIG.4

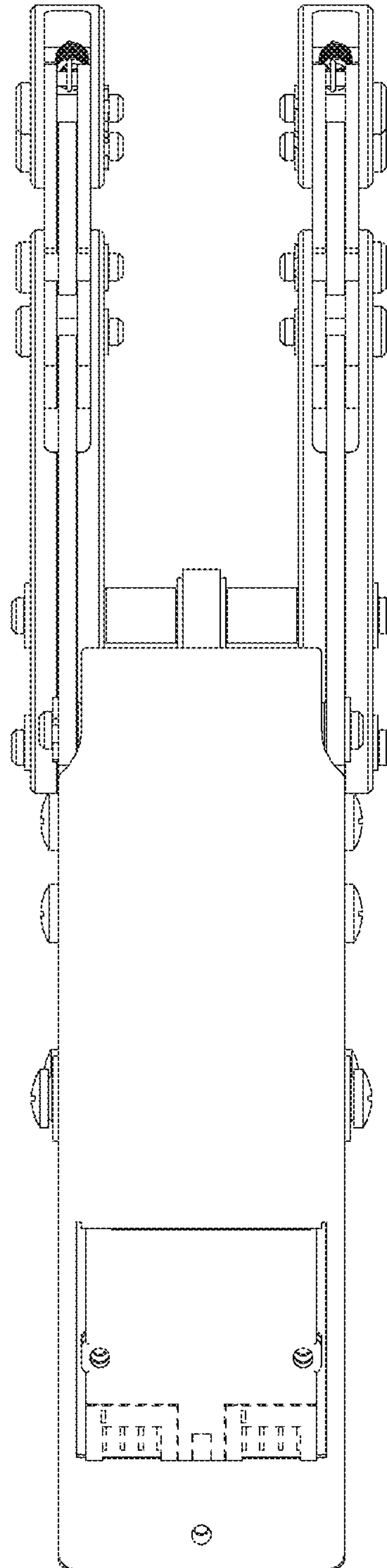


FIG.5

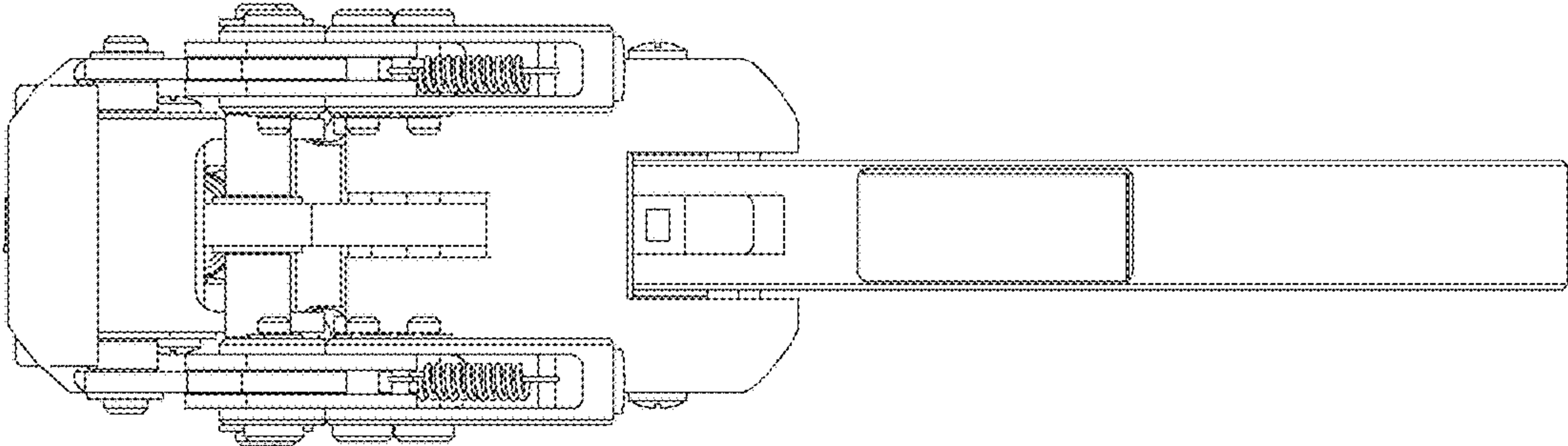


FIG.6

