



US00D813280S

(12) **United States Design Patent**  
**Prikler et al.**

(10) **Patent No.:** **US D813,280 S**  
(45) **Date of Patent:** **\*\* Mar. 20, 2018**

- (54) **WELDING WIRE CONVEYOR**
- (71) Applicant: **Fronius International GmbH**,  
Pettenbach (AT)
- (72) Inventors: **Wolfgang Prikler**, Ansfelden (AT);  
**Christian Resch**, Ruhstorf (DE);  
**Manfred Bruckner**, Kremsmuenster  
(AT); **Christian Stumpfl**, Wallern an  
der Trattnach (AT)
- (73) Assignee: **Fronius International GmbH**,  
Pettenbach (AT)
- (\*\*) Term: **15 Years**
- (21) Appl. No.: **29/598,323**
- (22) Filed: **Mar. 24, 2017**
- (30) **Foreign Application Priority Data**  
Sep. 26, 2016 (EM) ..... 003395219-0005
- (51) **LOC (11) Cl.** ..... **15-09**
- (52) **U.S. Cl.**  
USPC ..... **D15/144**
- (58) **Field of Classification Search**  
USPC ..... D8/29.1, 30, 123, 133; D15/144, 144.1,  
D15/144.2  
CPC ..... B23K 9/32; B23K 9/028; B23K 9/133;  
B23K 9/1006; B23K 9/1333; B23K  
9/1336; B23K 9/1735; B23K 11/28;  
B23K 37/053  
See application file for complete search history.

- (56) **References Cited**  
U.S. PATENT DOCUMENTS  
2,986,208 A \* 5/1961 Aciego ..... F23Q 2/48  
431/276  
3,035,155 A \* 5/1962 Hawk ..... B23K 9/282  
219/139

- 4,168,406 A \* 9/1979 Torrani ..... B23K 9/1336  
219/125.12
- 4,328,412 A \* 5/1982 Watanabe ..... B23K 37/02  
219/121.11
- 4,845,330 A \* 7/1989 Gaudin ..... B23K 9/0288  
219/60 A
- 6,286,748 B1 \* 9/2001 Cooper ..... B23K 9/1336  
219/130.1
- D520,539 S \* 5/2006 Di Miceli ..... D15/144
- 8,328,070 B1 \* 12/2012 Burns ..... B23K 9/124  
228/41
- D700,143 S \* 2/2014 Ichio ..... D13/120
- D778,838 S \* 2/2017 Dobler ..... D13/133
- D791,081 S \* 7/2017 Ishiguro ..... D13/133
- D795,193 S \* 8/2017 Huang ..... D13/133
- 2005/0040202 A1 \* 2/2005 Kerekes ..... B23K 9/12  
226/186
- 2007/0164074 A1 \* 7/2007 Schorghuber ..... B23K 9/133  
226/108
- 2008/0073331 A1 \* 3/2008 Schafer ..... B23K 9/1336  
219/137.7

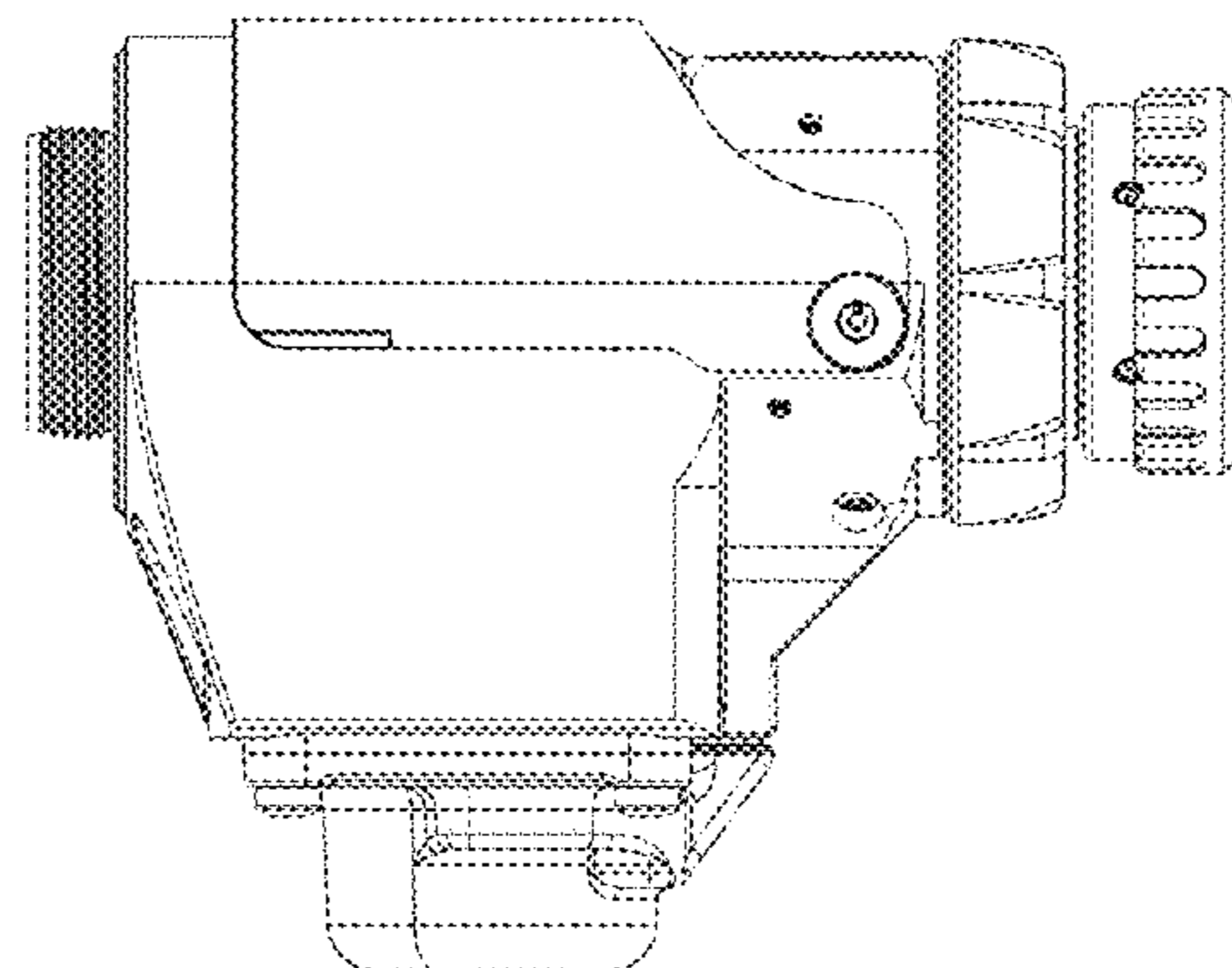
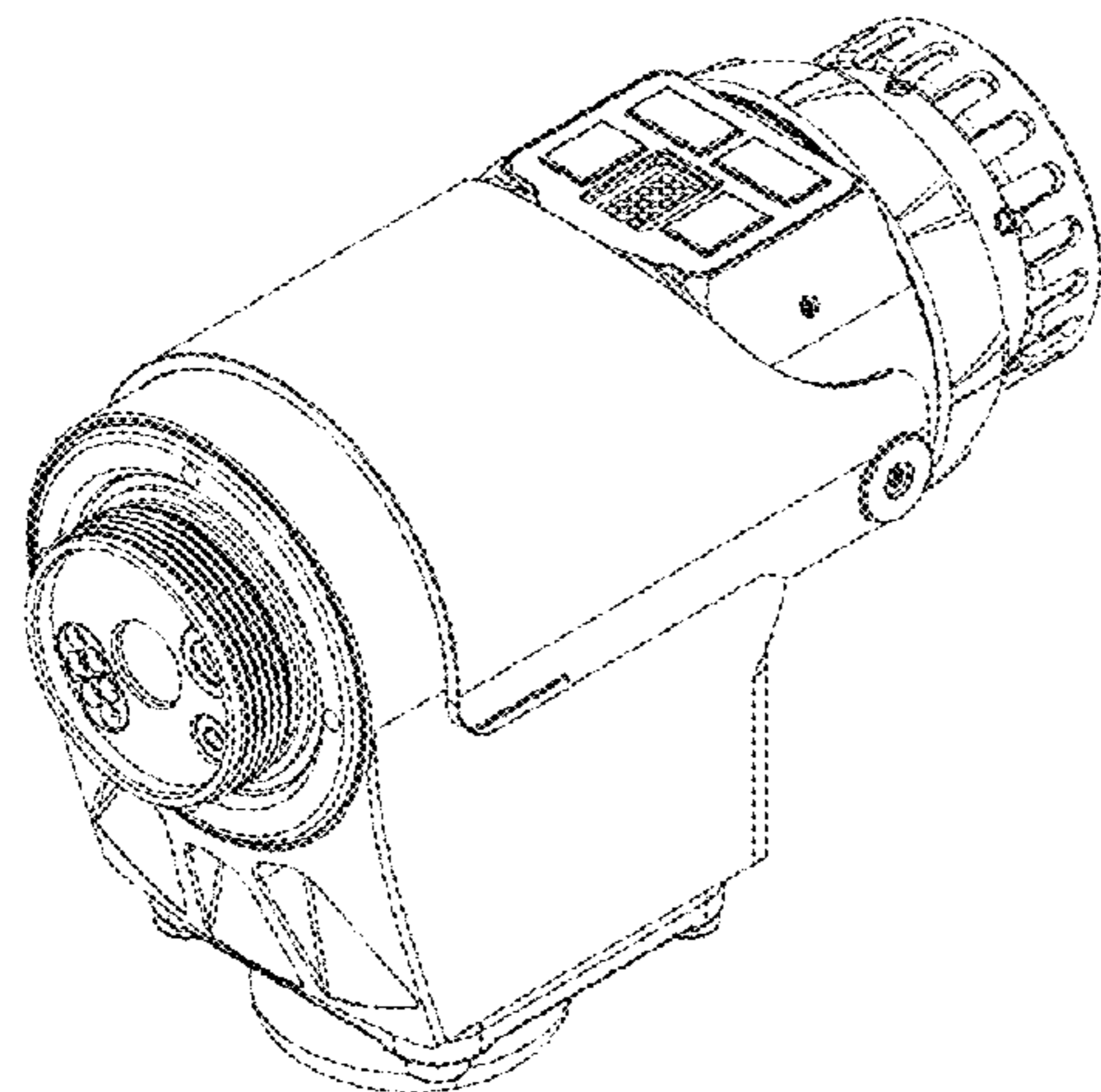
(Continued)

*Primary Examiner* — Patricia A Palasik  
(74) *Attorney, Agent, or Firm* — Collard & Roe, P.C.

(57) **CLAIM**  
The ornamental design for a welding wire conveyor, as shown and described.

**DESCRIPTION**  
FIG. 1 is a left side and rear perspective view of a welding wire conveyor, showing our new design;  
FIG. 2 is a left side view thereof;  
FIG. 3 is a right side view thereof;  
FIG. 4 is a front view thereof;  
FIG. 5 is a rear view thereof;  
FIG. 6 is a top view thereof; and,  
FIG. 7 is a bottom view thereof.  
The features shown in broken lines depict portions of the welding wire conveyor that form no part of the claimed invention.

**1 Claim, 7 Drawing Sheets**



(56)

**References Cited**

## U.S. PATENT DOCUMENTS

2008/0217314	A1 *	9/2008	Wells	.....	B23K 9/122 219/145.1
2012/0097657	A1 *	4/2012	Gelmetti	.....	B23K 9/133 219/136
2012/0145689	A1 *	6/2012	Hillen	.....	B23K 9/095 219/130.1
2013/0048699	A1 *	2/2013	Fuerlinger	.....	B23K 9/122 228/41
2013/0146575	A1 *	6/2013	Hillen	.....	B23K 9/125 219/137.71
2013/0327750	A1 *	12/2013	Henche	.....	B23K 9/133 219/137.9
2014/0042142	A1 *	2/2014	Gelmetti	.....	B23K 9/122 219/138
2014/0054349	A1 *	2/2014	Lahti	.....	B23K 9/133 226/190
2014/0061277	A1 *	3/2014	Matiash	.....	B23K 9/133 226/188
2014/0131336	A1 *	5/2014	Jacques	.....	B23K 9/323 219/137.63
2015/0174682	A1 *	6/2015	Spiesberger	.....	B23K 9/125 219/137.7
2017/0050258	A1 *	2/2017	Hillen	.....	B23K 9/125
2017/0120398	A1 *	5/2017	Veldsman	.....	B23K 37/003
2017/0138409	A1 *	5/2017	Giese	.....	B23K 9/125

\* cited by examiner

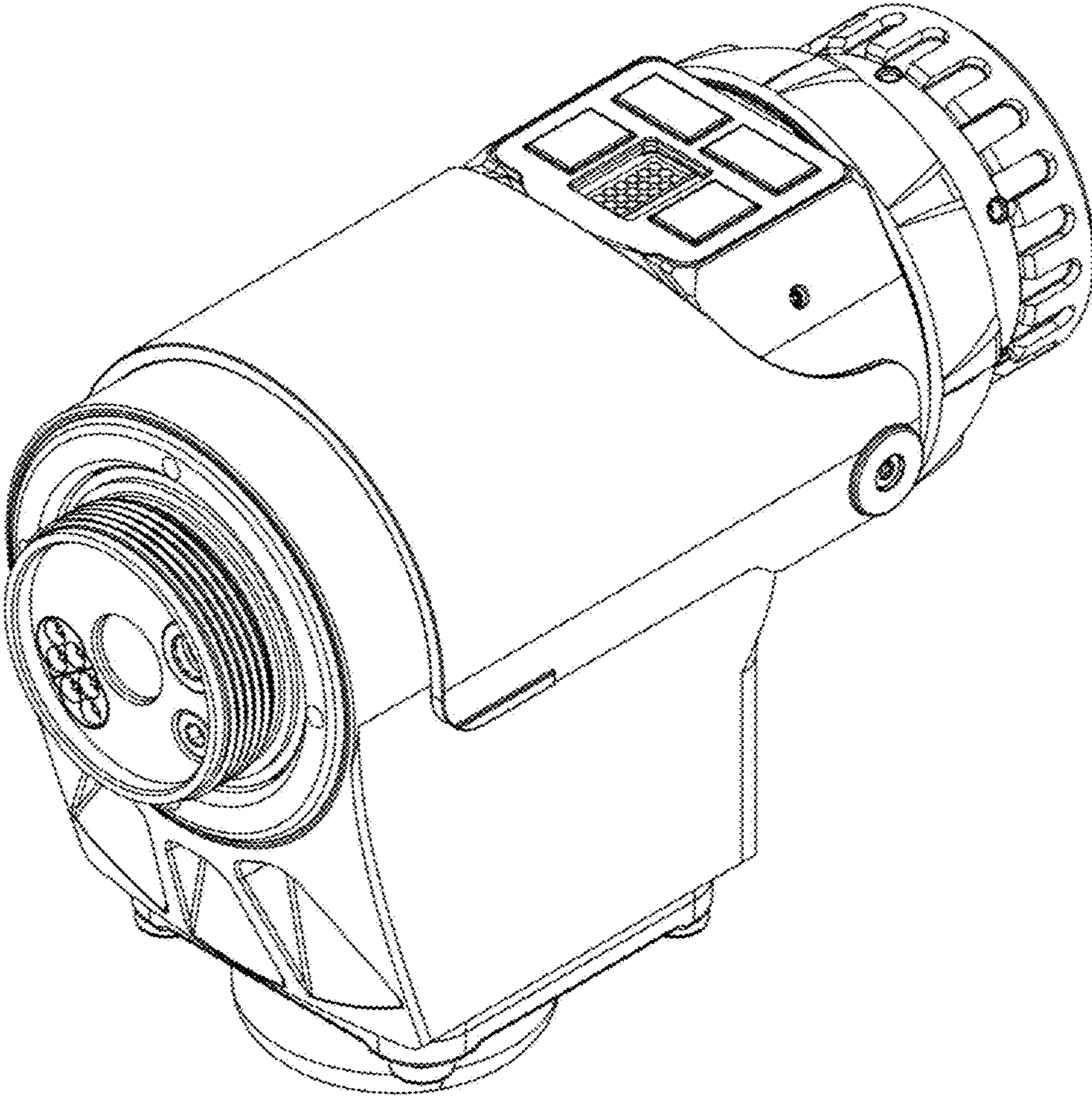


FIG. 1



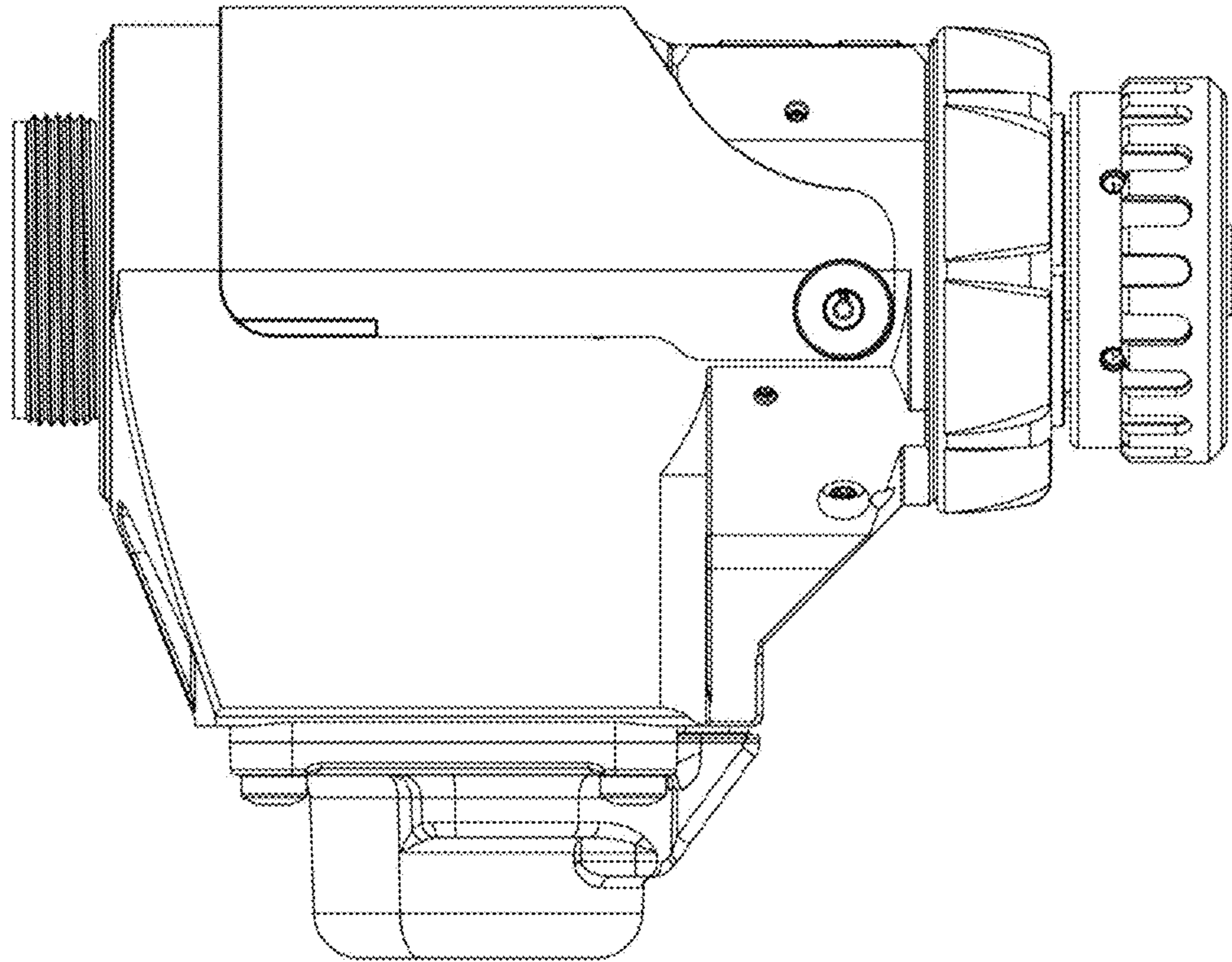


FIG. 2

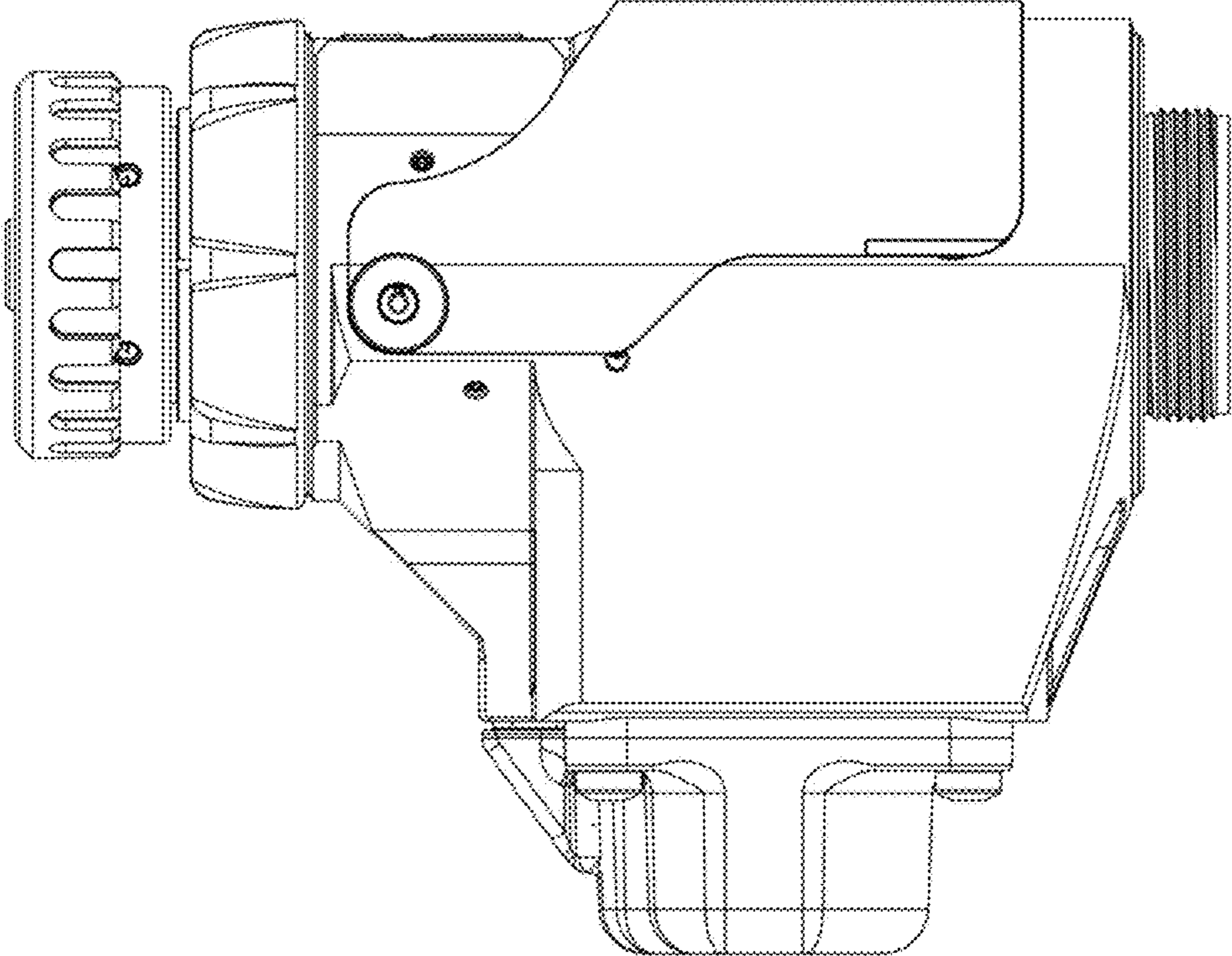
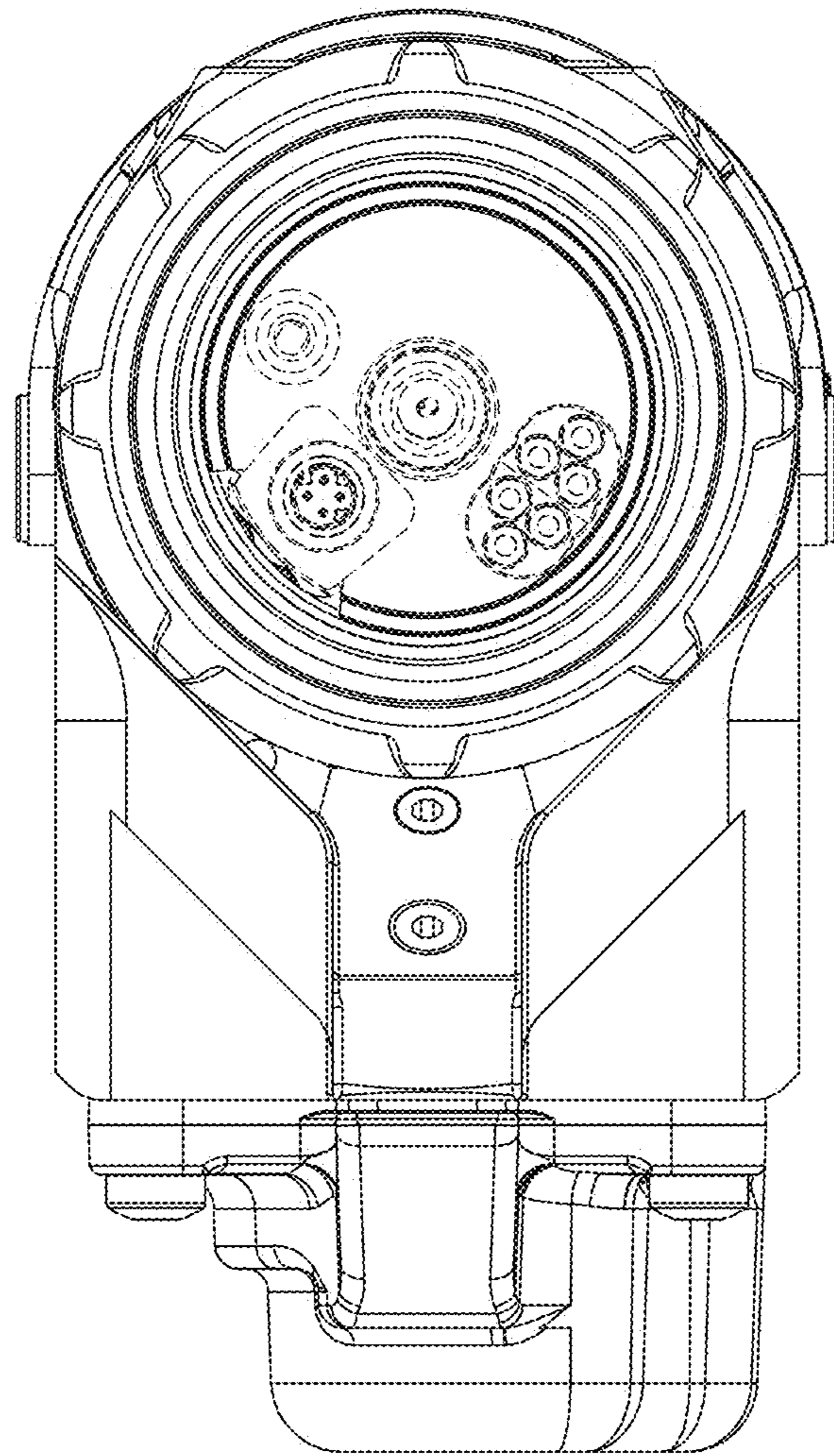


FIG. 3



**FIG. 4**



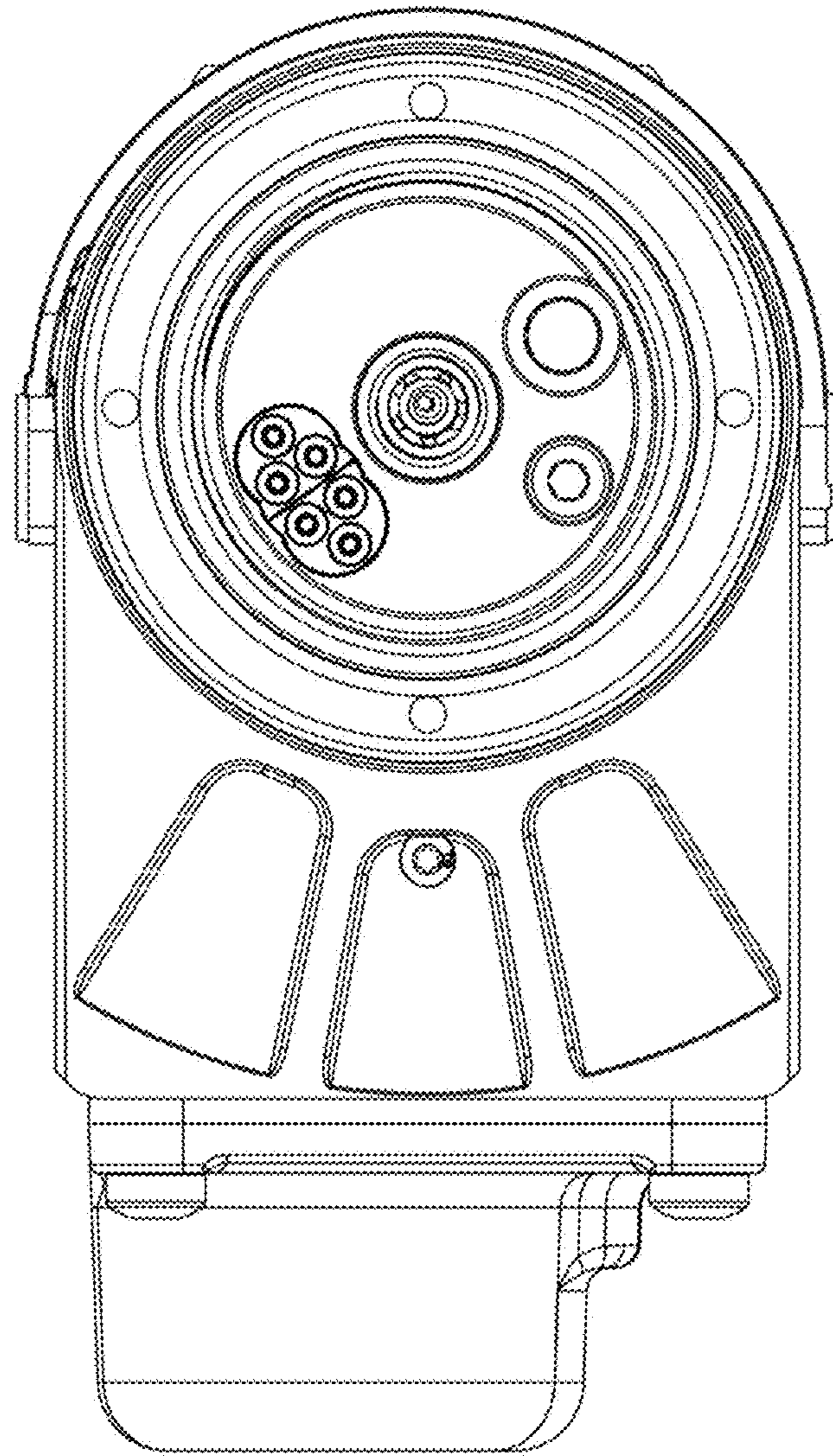


FIG. 5

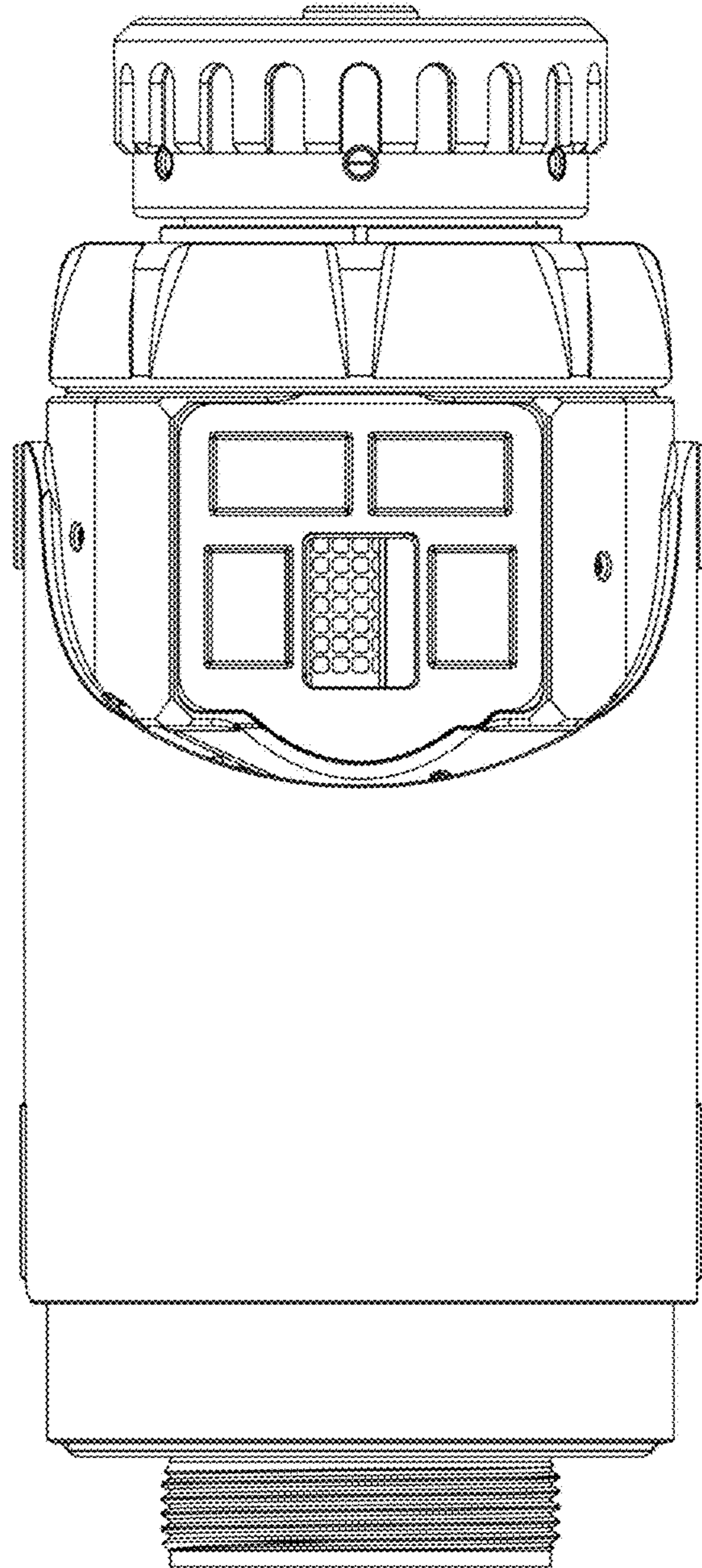


FIG. 6



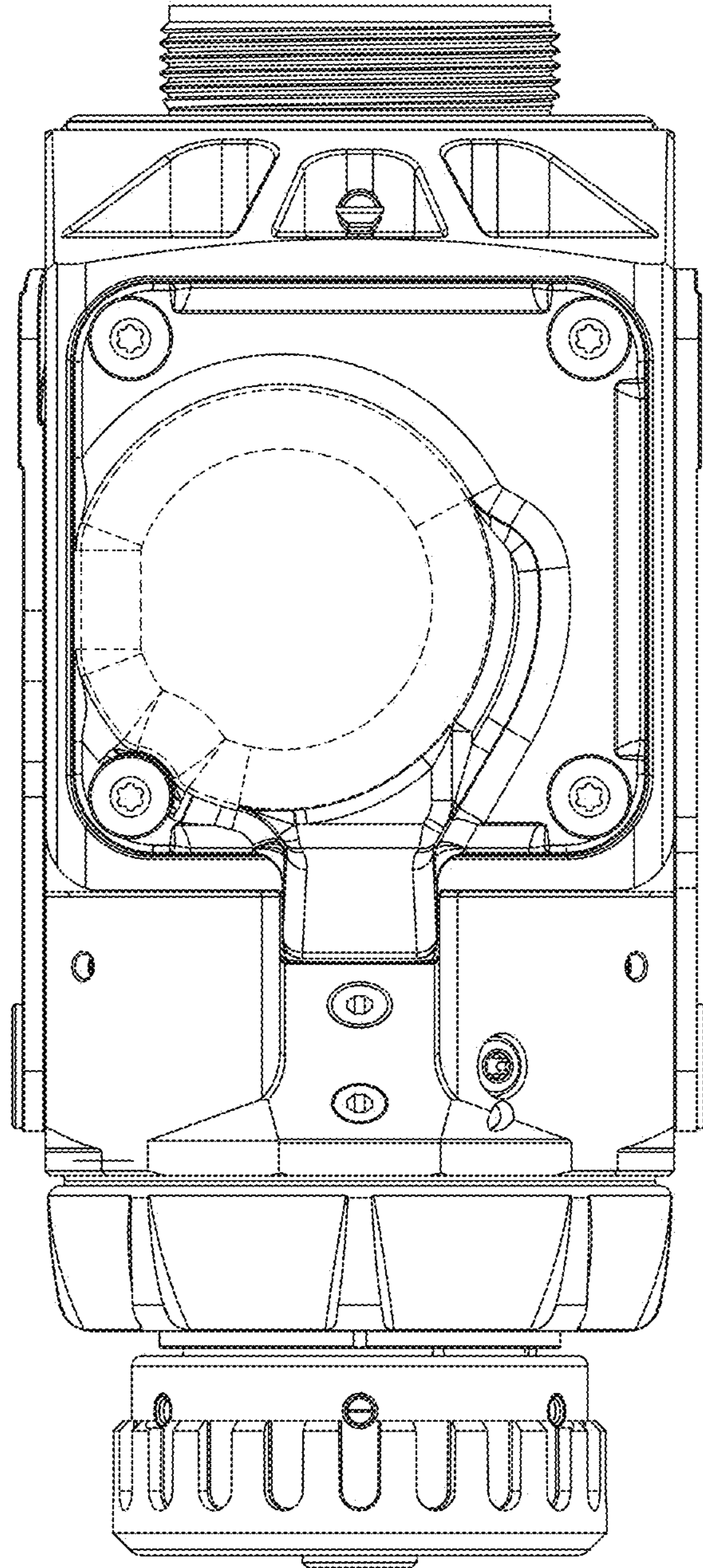


FIG. 7