



US00D813279S

(12) **United States Design Patent**
Wallimann et al.

(10) **Patent No.:** **US D813,279 S**
(45) **Date of Patent:** **** Mar. 20, 2018**

(54) **DRIVE SUPPORT DOLLY FOR A HAND HELD HOT AIR DEVICE**

(71) Applicant: **Leister Technologies AG**, Kagiswil (CH)

(72) Inventors: **Leo Wallimann**, Alpnachstad (CH);
Haruka Shimazu, Adligenswil (CH)

(73) Assignee: **Leister Technologies AG**, Kagiswil (CH)

(**) Term: **15 Years**

(21) Appl. No.: **29/576,842**

(22) Filed: **Sep. 7, 2016**

(30) **Foreign Application Priority Data**

Mar. 16, 2016 (EM) 003030790-0003

(51) **LOC (11) Cl.** **15-99**

(52) **U.S. Cl.**
USPC **D15/144**

(58) **Field of Classification Search**
USPC D8/14, 29.1, 30, 34, 36, 41, 98;
D15/122, 144, 144.1, 144.2, 199
CPC B29C 65/00; B29C 65/02; B29C 65/14;
B29C 65/1429; B29C 65/1464; B29C
65/1467

See application file for complete search history.

(56) **References Cited**

U.S. PATENT DOCUMENTS

- 3,135,430 A * 6/1964 Caldwell B29C 66/1122
156/578
- 3,445,315 A * 5/1969 Strauss B29C 65/4895
156/304.3
- 3,844,867 A * 10/1974 Regipa B26D 1/03
156/270
- 4,204,904 A * 5/1980 Tabor B29C 65/106
156/497
- D280,329 S * 8/1985 Bouman D15/144

- 4,855,004 A * 8/1989 Chitjian B29C 65/103
156/359
- D558,803 S * 1/2008 Gisler D15/144
- D726,793 S * 4/2015 von Wyl D15/144
- D737,876 S * 9/2015 von Wly D15/144
- D780,239 S * 2/2017 Burgler D15/144

(Continued)

OTHER PUBLICATIONS

Minifloor Drive Unit, posted on leister.com, copyrighted 2016, no production date given, [online], [site visited Sep. 14, 2017], Available from Internet, <URL: <https://www.leister.com/en-us/plastic-welding/products/automatic-welders/hot-air-welder/minifloor-drive-unit/>#!ScrollTo=FCC2B00BB782E0046F8EFC462ED71590>.*

(Continued)

Primary Examiner — Melanie H Tung
Assistant Examiner — Fritzgerald L Butac
(74) *Attorney, Agent, or Firm* — Charles H Jew

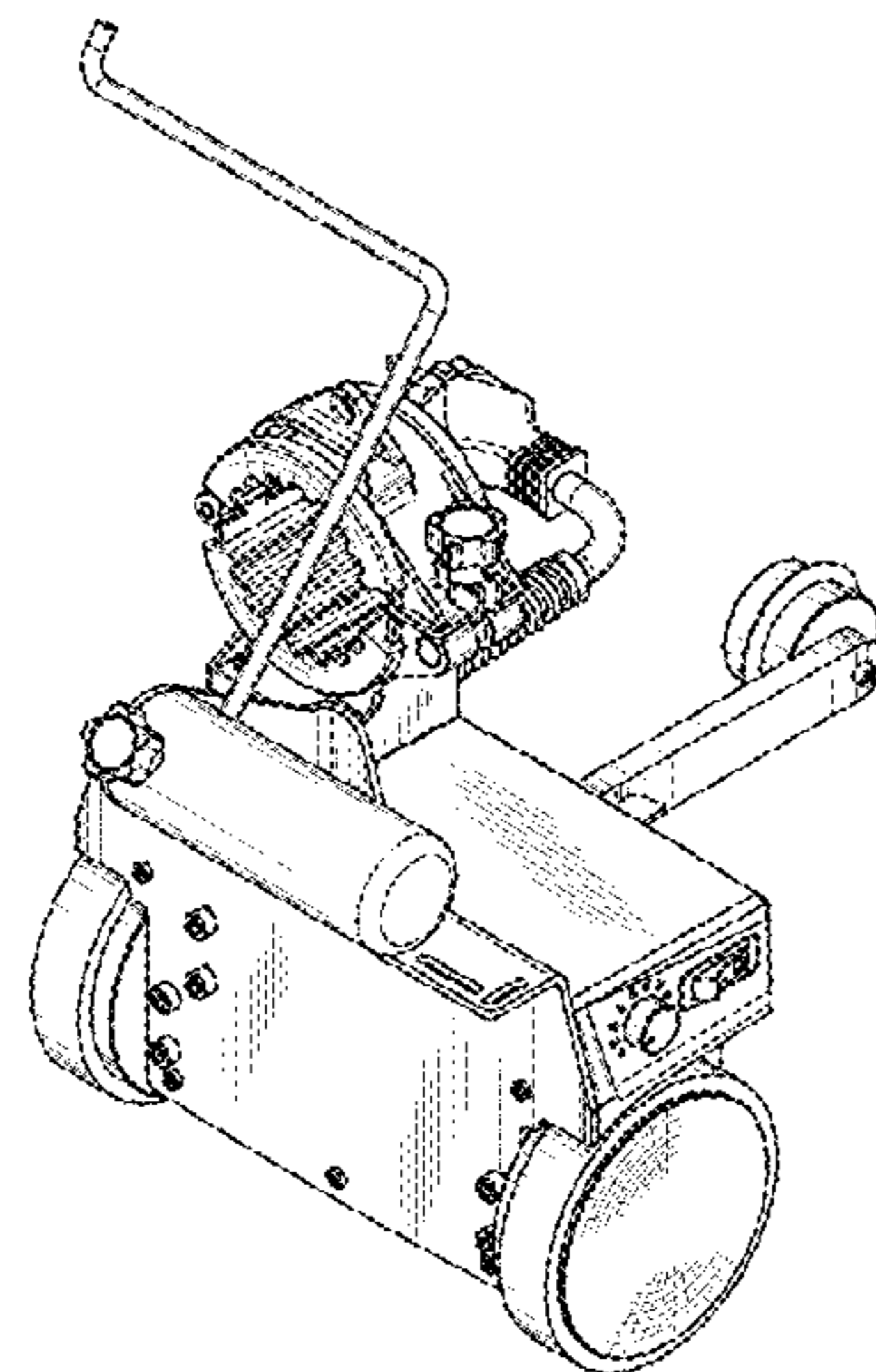
(57) **CLAIM**

The ornamental design for a drive support dolly for a hand held hot air device, as shown and described.

DESCRIPTION

FIG. 1 is a right side elevational view of a drive support dolly for a hand held hot air device showing our new design; FIG. 2 is a left side elevational view thereof; FIG. 3 is a front elevational view thereof; FIG. 4 is a rear elevational view thereof. FIG. 5 is a top plan view thereof; FIG. 6 is a bottom plan view thereof; and, FIG. 7 is a front perspective view thereof. The broken lines in FIGS. 1 and 7 represent portions of the drive support dolly for a hand held hot air device that form no part of the claimed design.

1 Claim, 4 Drawing Sheets



(56)

References Cited

U.S. PATENT DOCUMENTS

D780,240 S * 2/2017 Burgler D15/144

OTHER PUBLICATIONS

Automatic Welder for Plastic Sheets and Membranes, posted on ataszek.shop, no posted date given, no production date given, [online], [site visited Sep. 14, 2017], Available from Internet, <URL: <https://atazbek.shop/en/welders-for-roof-membranes/automatic-welder-for-plastic-sheets-and-membranes>>.*

Express 6010 Standard Automatic Welder, posted on gilbert-express.com, no posted date given, no production date given, [online], [site visited Sep. 14, 2017], Available from Internet, <URL: <http://www.gilbert-express.com/products/single-ply-equipment/automatic-seam-welder/6010e>>.*

* cited by examiner

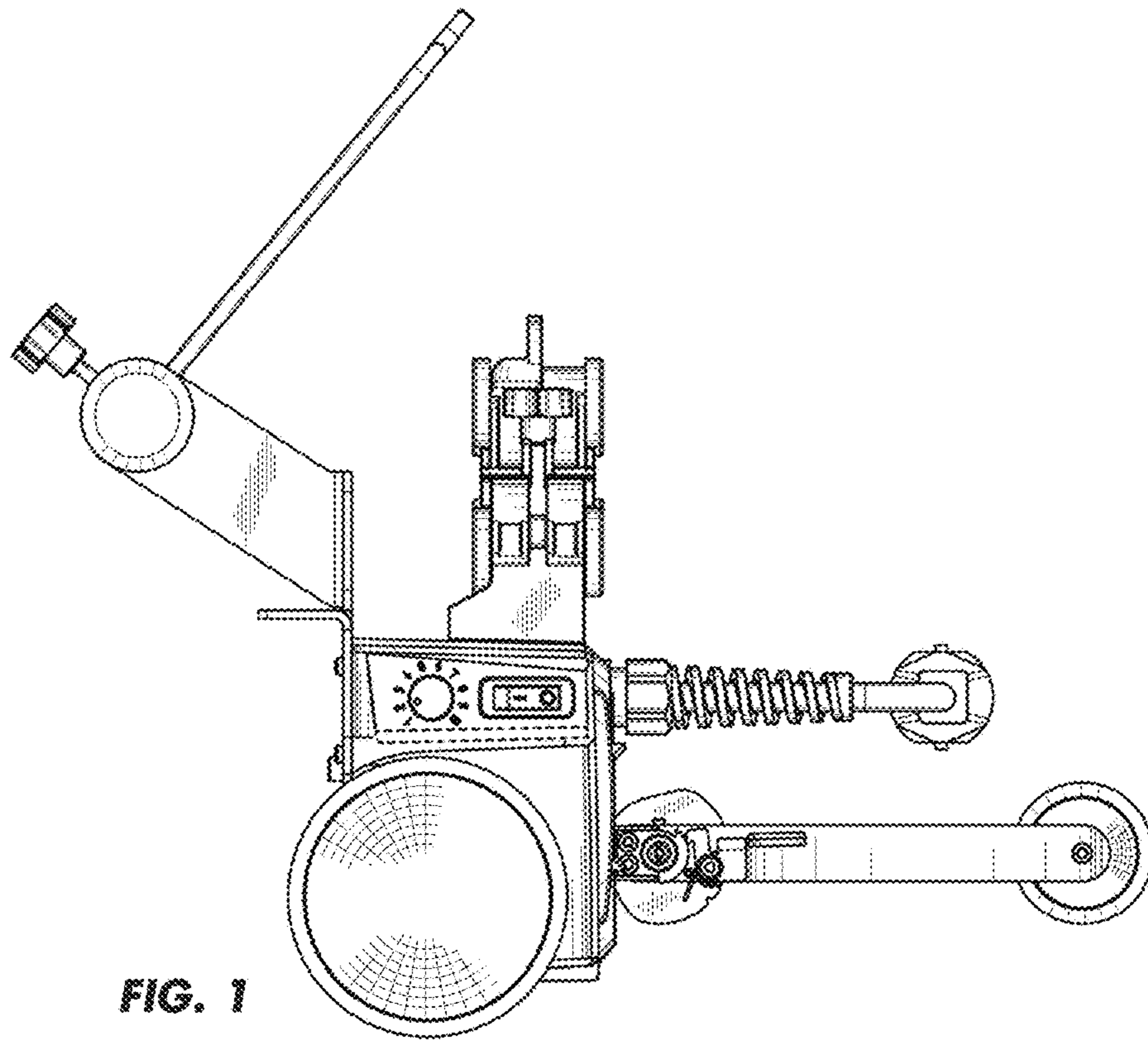


FIG. 1

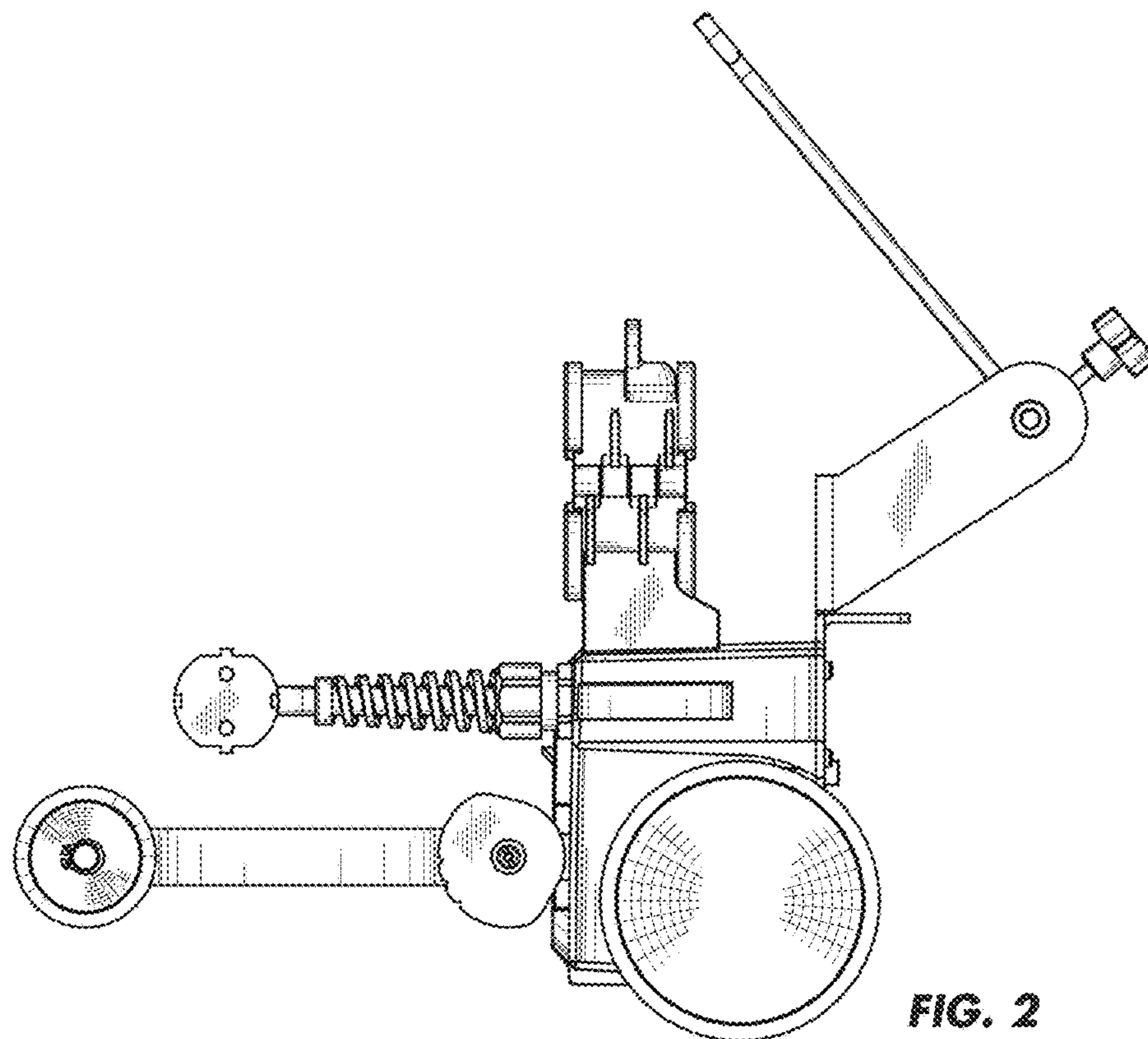
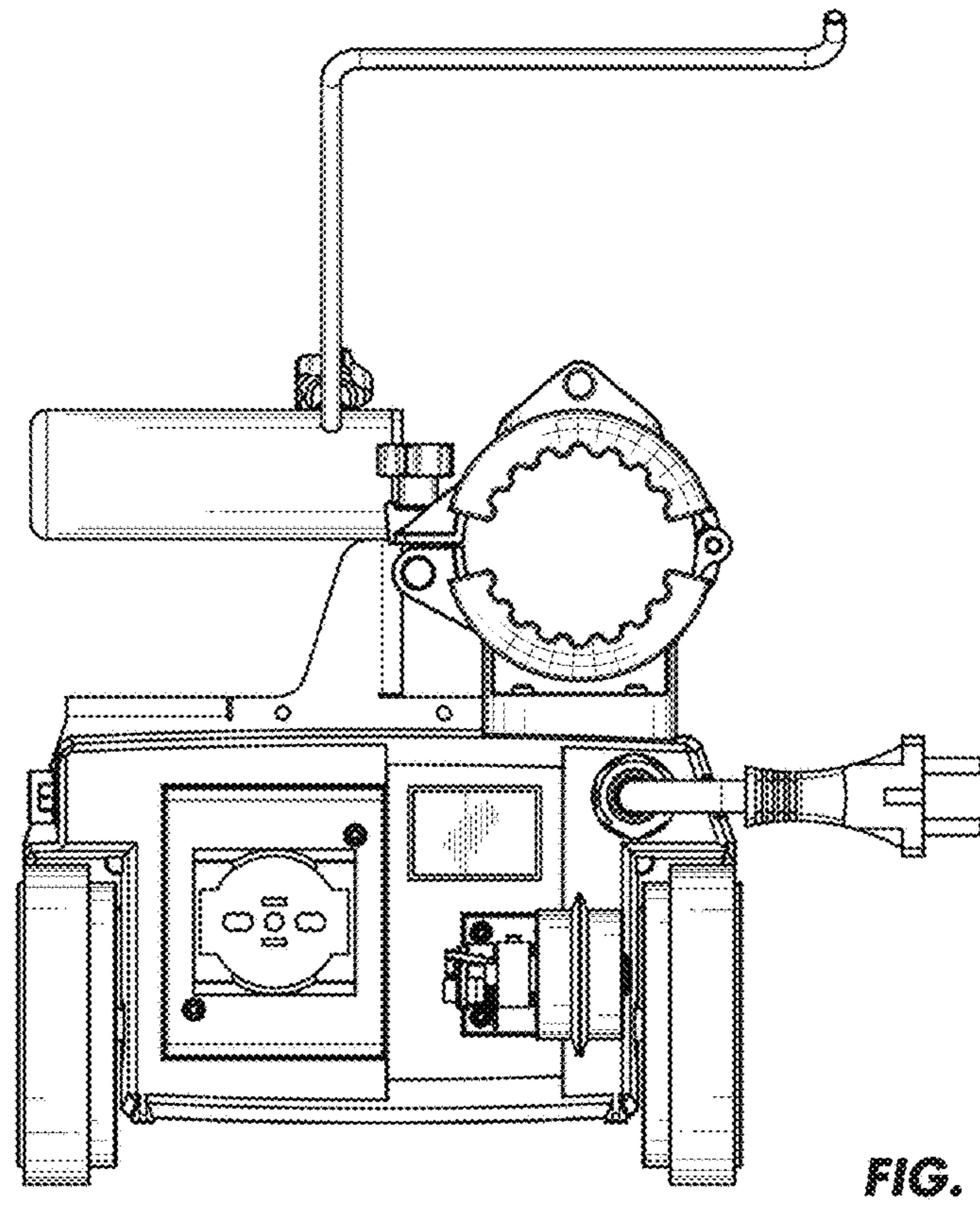
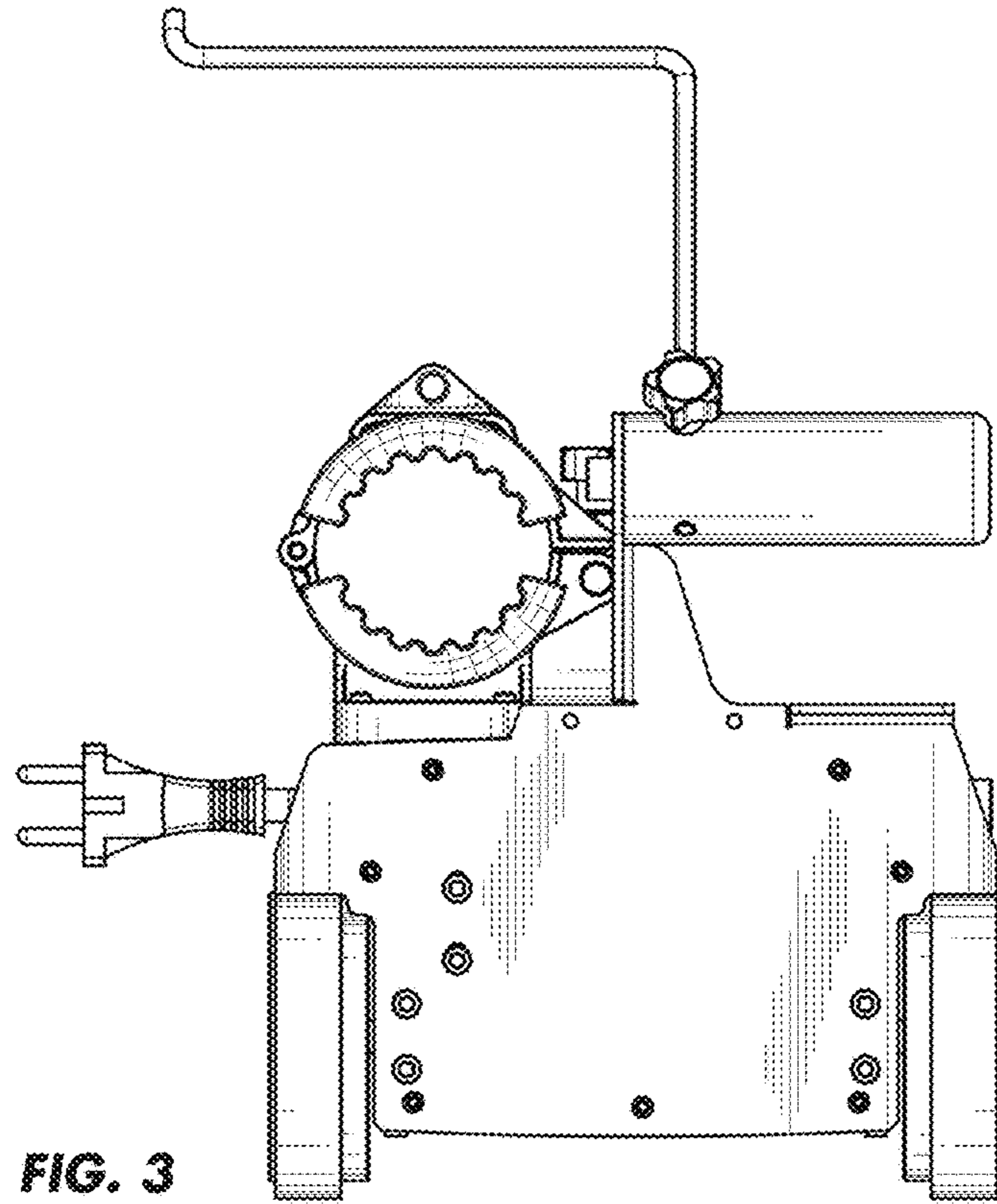


FIG. 2



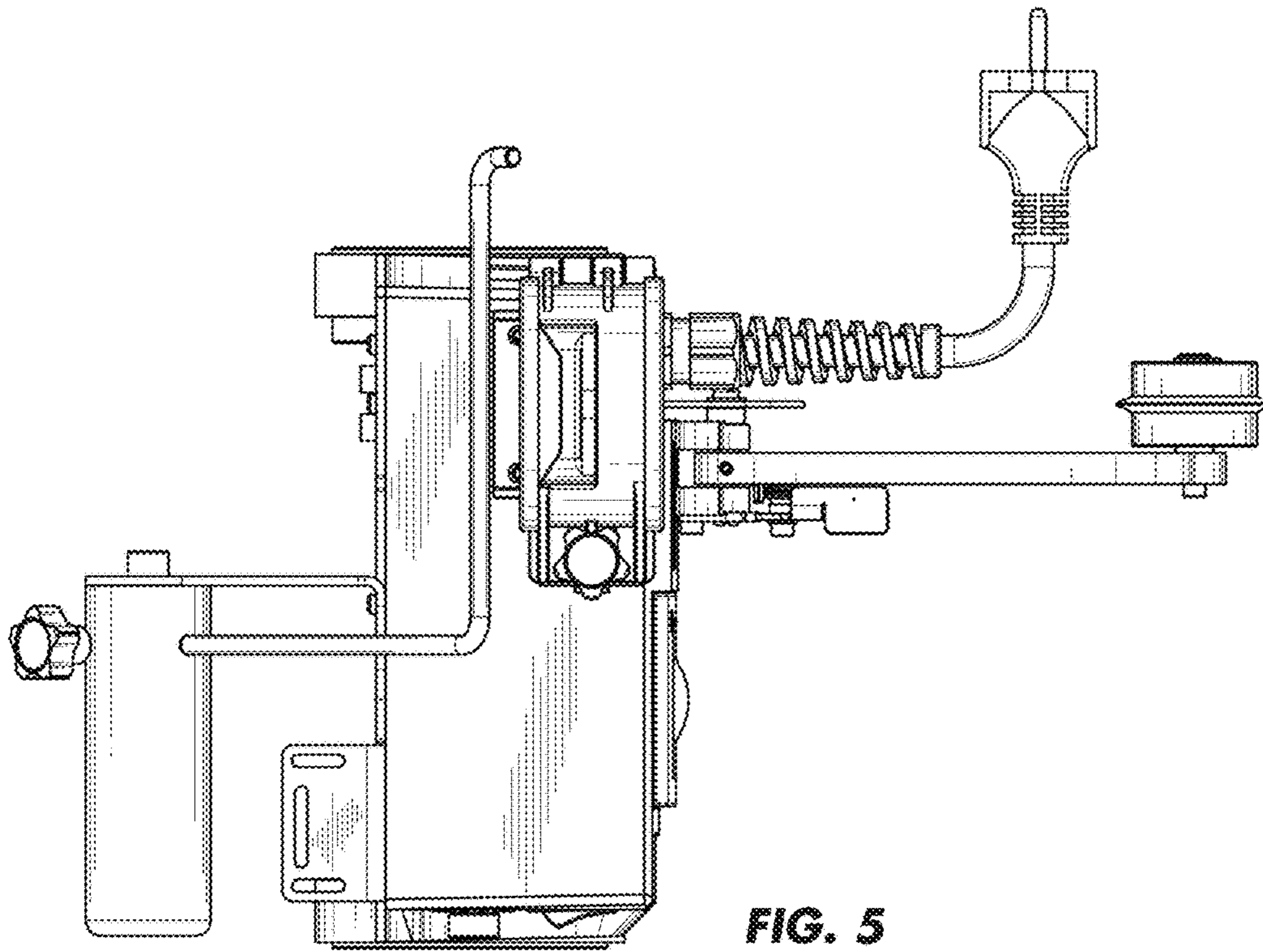


FIG. 5

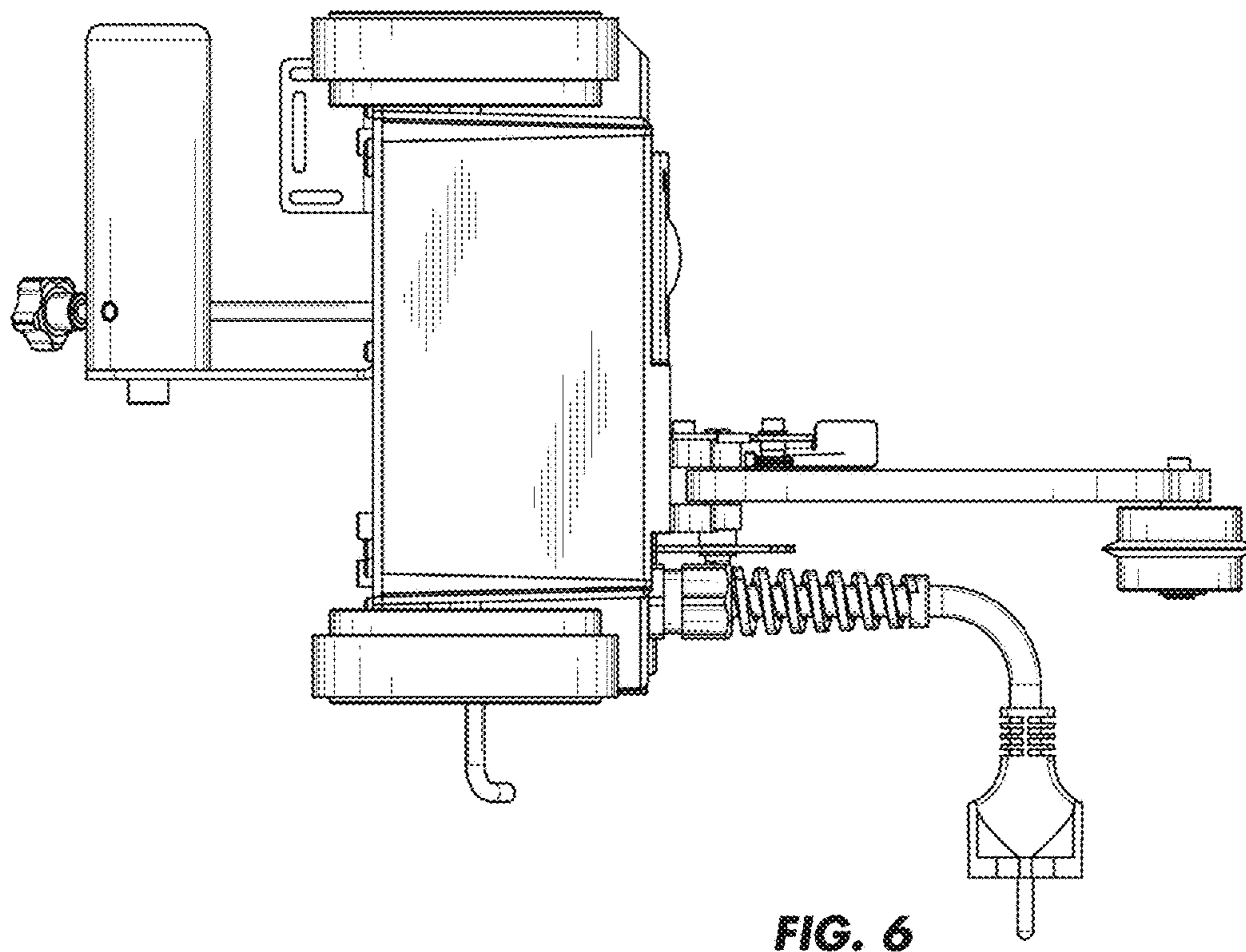


FIG. 6

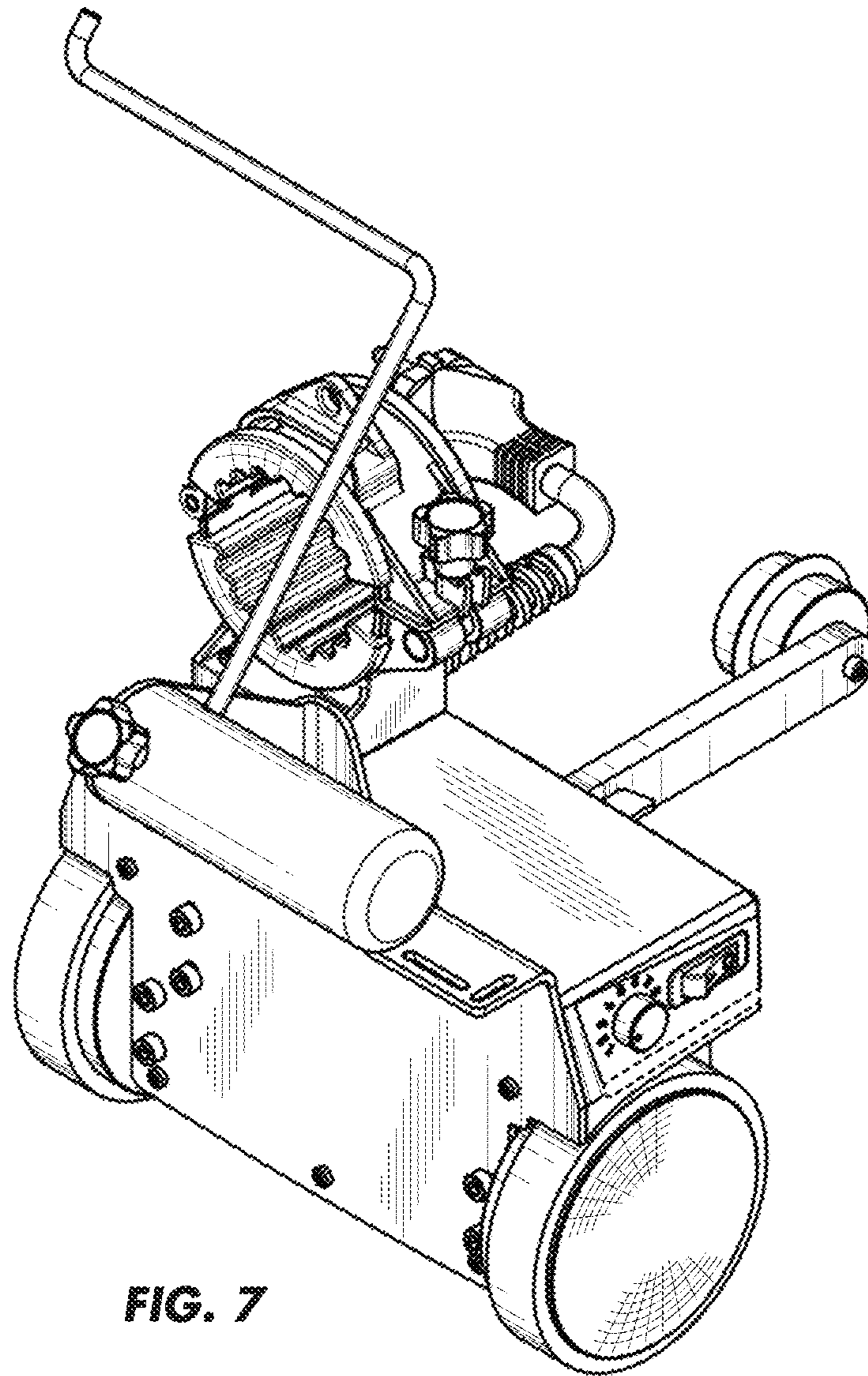


FIG. 7